
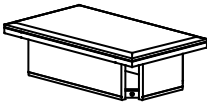

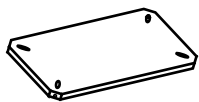


Assembly Instructions

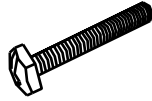



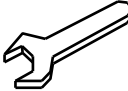
14" LAMP TABLE

Thank you for purchasing this quality product. Be sure to check all packaging material carefully for small parts that may have come loose inside the carton during shipment.

COMPONENT LIST:

PART NO	FIGURE	DESCRIPTION	QTY
		Hardware Bag	1 pce
		Table Top	1 pce
		Legs	4 pcs
		Fixed Shelf	1 pce

HARDWARE LIST:

PART NO	FIGURE	DESCRIPTION	QTY
1		Hex Bolt	8 pcs
2		Pan Head Screw	4 pcs
3		Lock Washer	8 pcs
4		Flat Washer	8 pcs
5		Wrench	1 pce

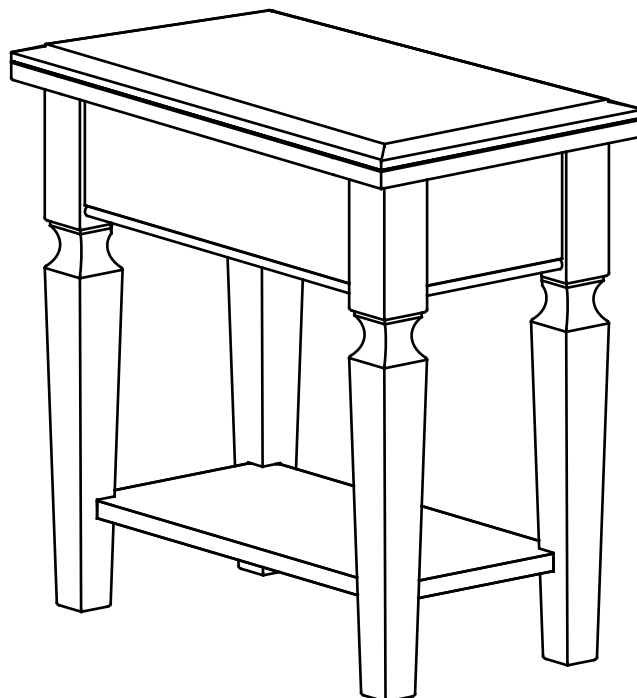
This product will take 15-20 minutes to assemble.

Reminders

1. Use only the hardware supplied.
2. Once the product is assembled, level and tighten all the bolts.
3. Do not over-tighten bolts.
4. This item may require periodic tightening

NOTE:

1. Two or two people are needed for assembly
2. Please keep all hardware parts out of the reach of children.



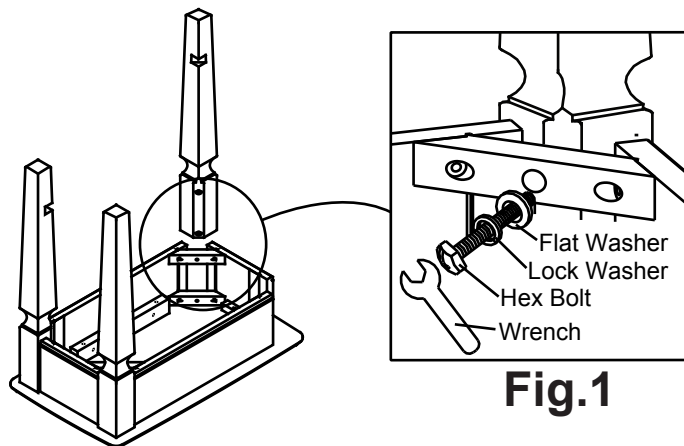
Assembly Instructions

14" LAMP TABLE

ASSEMBLY :

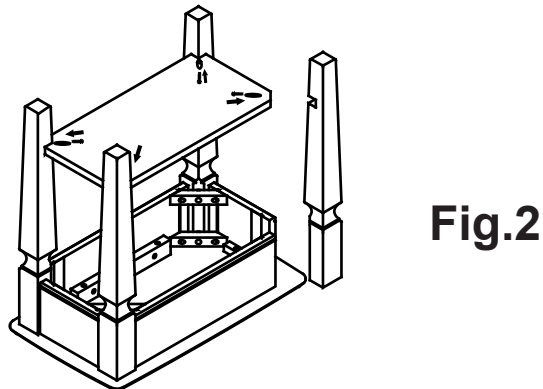
STEP 1

- 1.1-Turn the Table Top upside down on a protective surface such as carpet or other soft materials as shown in the Fig1.
- 1.2-Use **Flat Washer(4)**, **Lock Washer(3)**, **Hex Bolt(1)** and **Wrench(5)**, to attach three legs randomly to the table top, do not fully tighten yet.



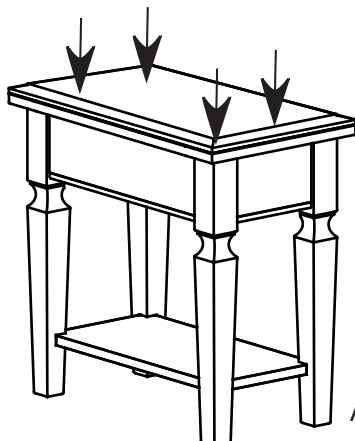
STEP 2

- 2.1-Insert the Fixed Shelf to three legs,insert the last leg to the corner of apron frame and Fixed Shelf.Then tighten with **Flat Washer(4)**, **Lock Washer(3)** and **Hex Bolt(1)** using the **Wrench(5)** provided.
- 2.2- Insert and tighten the **Pan Head Screw(2)** using a screw-driver (Not provided) into the Fixed Shelf to scure Shelf as shown on Fig.2



STEP 3

- 3.1- Turn table to upright position.
- 3.2- Once lamp table is fully balance fully tighten all bolts.



Assembly is now Completed.

CARE INSTRUCTION

- ~ Be sure to use the same type of polish consistently. Your furniture will appear cloudy or streaky if oil based or wax based polishes are interchanged.
- ~ Spray your furniture surface evenly. Wipe in a circular motion with a soft clean cloth.