

# NIGHTSTAND ASSEMBLY INSTRUCTION

Thank you for purchasing this quality product. Be sure to check all packing material carefully for small parts which may have come loose inside the carton during shipment. Separate, identify and count all parts and hardware. Compare with the parts list to be sure all parts are present.

**IMPORTANT : PLEASE READ INSTRUCTION BEFORE STARTING THE ASSEMBLY.**

**"DO NOT TIGHTEN SCREWS UNTIL COMPLETELY ASSEMBLED"**

**"DO NOT OVERTIGHT ANY HARDWARE"**

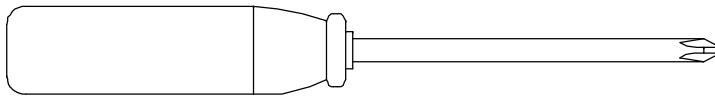
**WARNING : SMALL PARTS AND HARDWARE NOT FOR CHILDREN UNDER 3 YEARS. ADULT ASSEMBLY REQUIRED.**

## TABLE OF CONTENTS

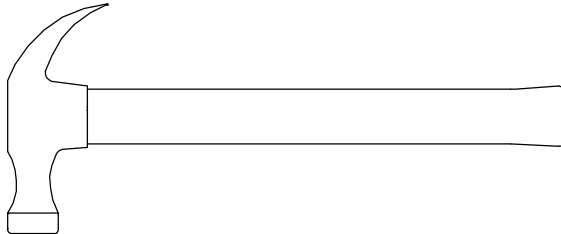
HARDWARES LIST	PAGE 2 - 3
PARTS LIST	PAGE 3 - 4
PARTS' LOCATION	PAGE 4
ASSEMBLY STEPS	PAGE 6 - 15
ASSEMBLY COMPLETED	PAGE 16

## ASSEMBLY TOOLS REQUIRED

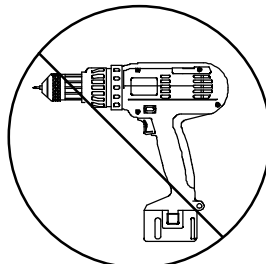
**1. Screwdriver (not provide)**



**2. Hammer (not provide)**


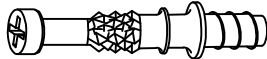
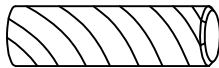





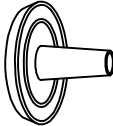


Skip the power trip this time.



# NIGHTSTAND ASSEMBLY INSTRUCTION

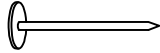
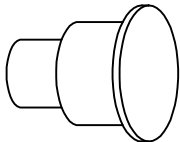

## HARDWARES LIST

ITEM	DESCRIPTION	DRAWING	QTY
A	MINIFIX CAM LOCK		6 PCS
B	MINIFIX CAM BOLT		6 PCS
C	WOOD DOWEL (M6 x 20MM)		19 PCS
D	CSK C/B SCREW (M4 x 16MM)		6 PCS
E	CSK C/B SCREW (M4 x 30MM)		4 PCS
F	CAP WOOD SCREW (M6 x 40MM)		4 PCS
G	TRUSS M-SCREW (20MM)		1 PC
H	DRAWER SLIDE		2 PCS
I	HANDLE		1 PC

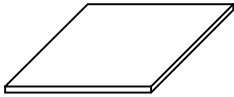
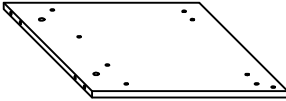
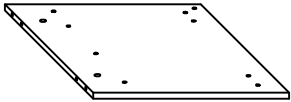
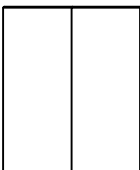
MORE HARDWARES DETAIL IN NEXT PAGE...

# NIGHTSTAND ASSEMBLY INSTRUCTION

## HARDWARES LIST

ITEM	DESCRIPTION	DRAWING	QTY
J	6/8" NAIL		10 PCS
K	DRAWER STOPPER		2 PCS
L	M4 ALLEN KEY (65MM)		1 PC

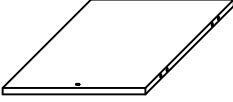
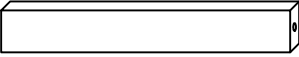
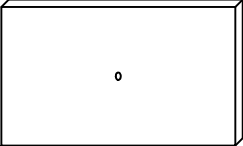
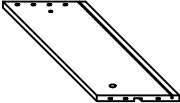
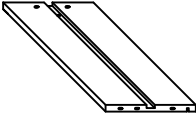

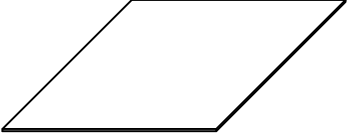
## PARTS LIST

ITEM	DESCRIPTION	DRAWING	QTY
1	TOP PANEL		1 PC
2	LEFT PANEL		1 PC
3	RIGHT PANEL		1 PC
4	BACK PANEL		1 PC

MORE PARTS DETAIL IN NEXT PAGE...

# NIGHTSTAND ASSEMBLY INSTRUCTION

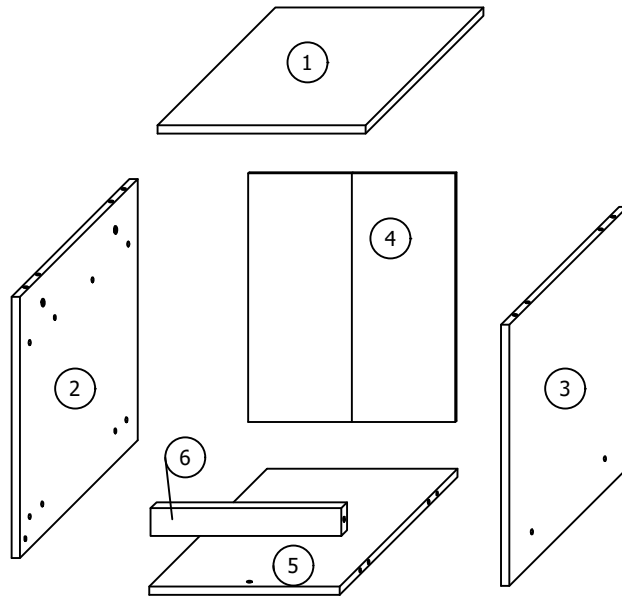
## PARTS LIST

ITEM	DESCRIPTION	DRAWING	QTY
5	BOTTOM PANEL		1 PC
6	BOTTOM SUPPORT RAIL		1 PC
7	DRAWER HEAD		1 PC
8	DRAWER LEFT PANEL		1 PC
9	DRAWER RIGHT PANEL		1 PC
10	DRAWER BACK PANEL		1 PC
11	DRAWER BOTTOM PANEL		1 PC

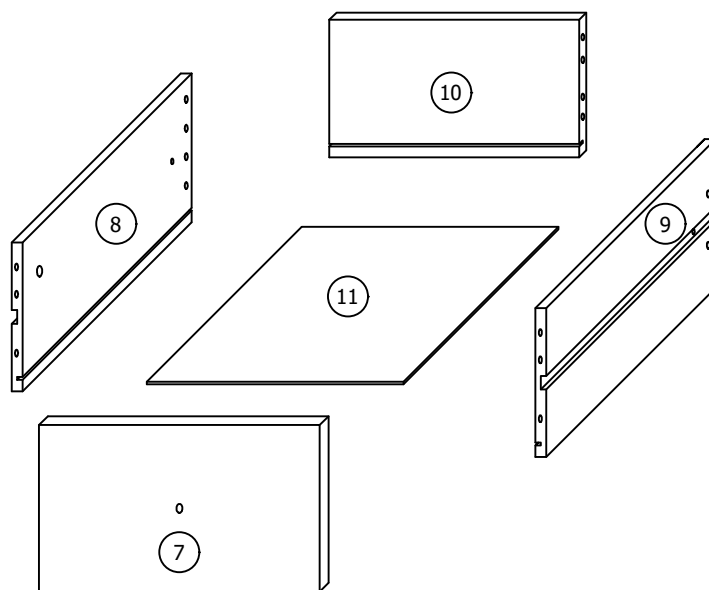
# NIGHTSTAND ASSEMBLY INSTRUCTION

## PARTS ' LOCATION

### NIGHTSTAND



### DRAWER

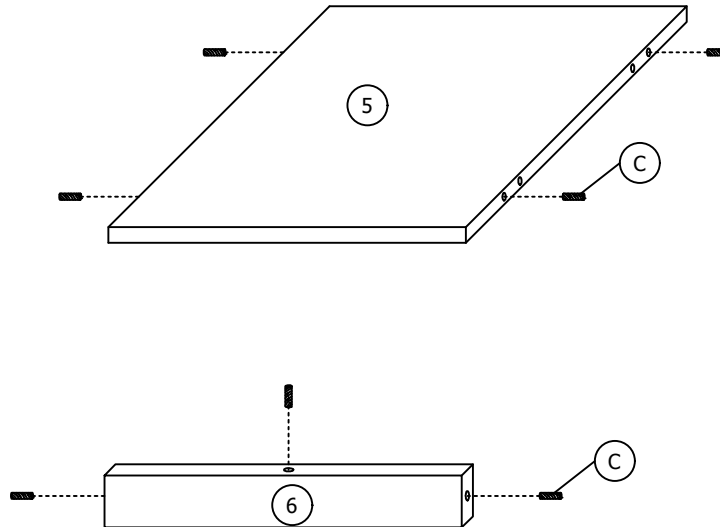


# NIGHTSTAND ASSEMBLY INSTRUCTION

## ASSEMBLY STEPS

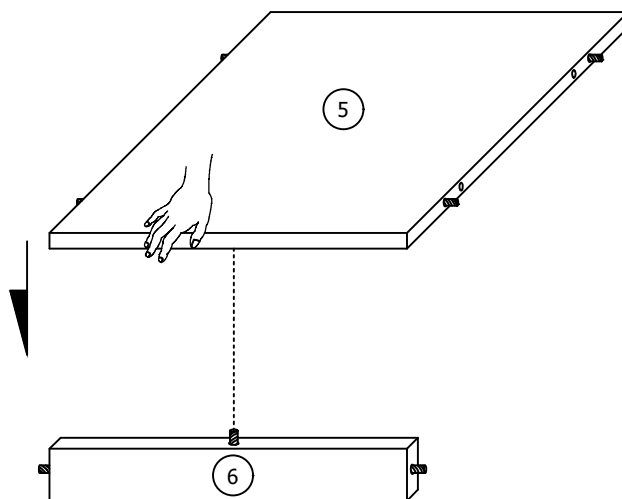
### STEP 1

Insert 4 pieces WOOD DOWEL (C) to the BOTTOM PANEL (5) . Then insert 3 pieces WOOD DOWEL (C) to the BOTTOM SUPPORT RAIL (6) as shown.

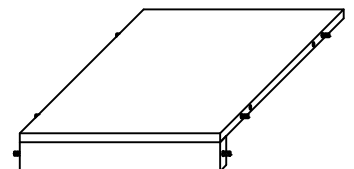


### STEP 2

According to the instructions , combine the BOTTOM PANEL (5) and the BOTTOM SUPPORT RAIL (6) by your hand as shown.



Assembled become like this



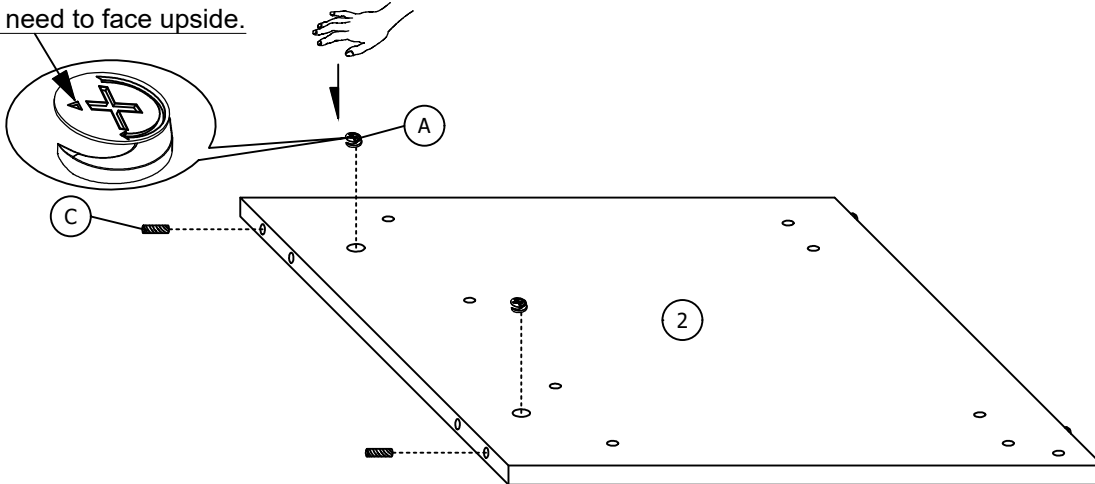
# NIGHTSTAND ASSEMBLY INSTRUCTION

## STEP 3

**Attention : ensure that there is no any item may cause damage on the ground before put down the LEFT PANEL (2).**

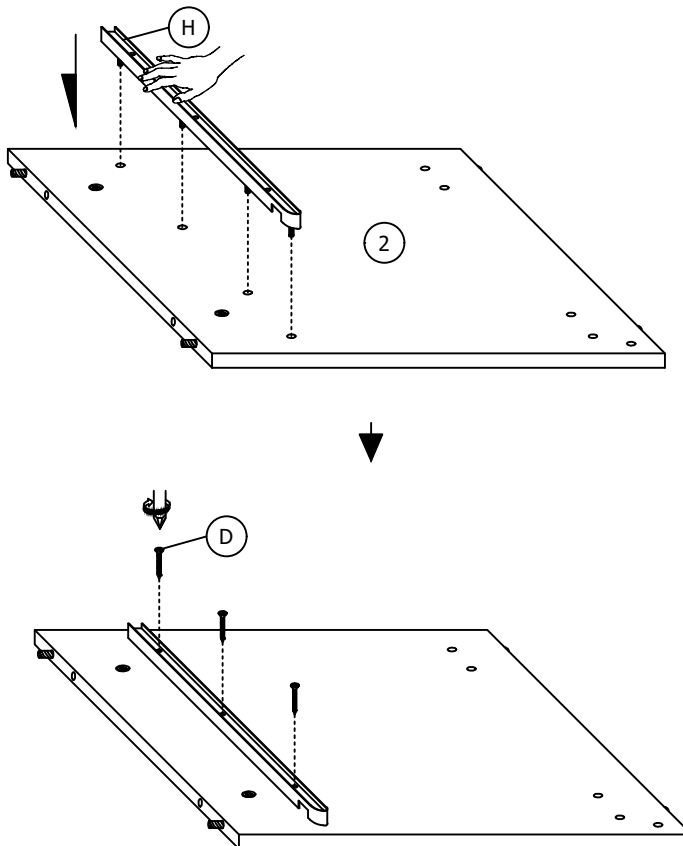
Insert 2 pieces WOOD DOWEL (C) to the LEFT PANEL (2) . Then insert 2 pieces MINIFIX CAM LOCK (A) to the LEFT PANEL (2) by your hand as shown.

Arrow need to face upside.

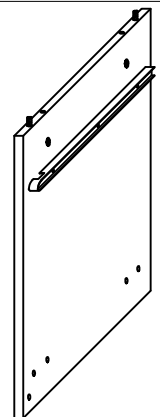


## STEP 4

Align the position of hole and insert 1 piece DRAWER SLIDE (H) to the LEFT PANEL (2) by your hand . Then lock the DRAWER SLIDE (H) with 3 pieces CSK C/B SCREW (D) as shown.



Assembled become like this



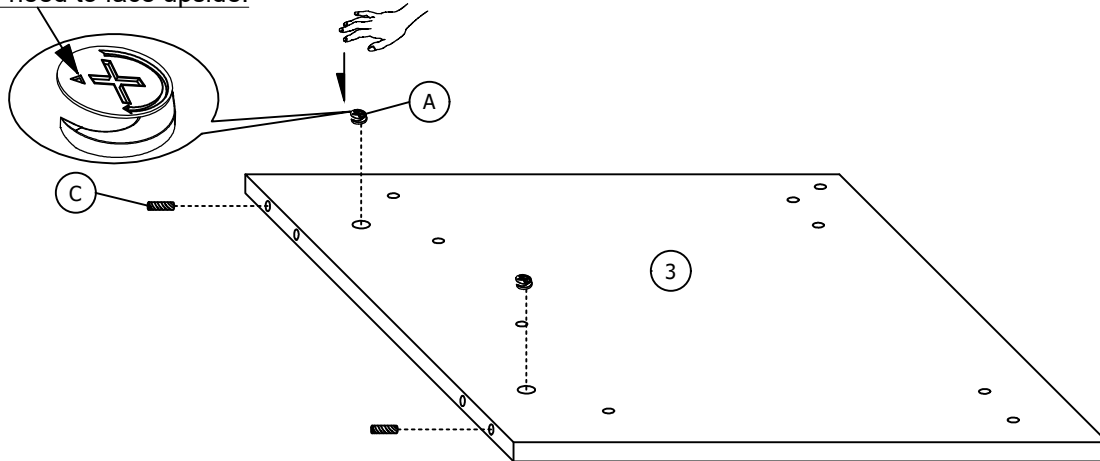
# NIGHTSTAND ASSEMBLY INSTRUCTION

## STEP 5

**Attention : ensure that there is no any item may cause damage on the ground before put down the RIGHT PANEL (3).**

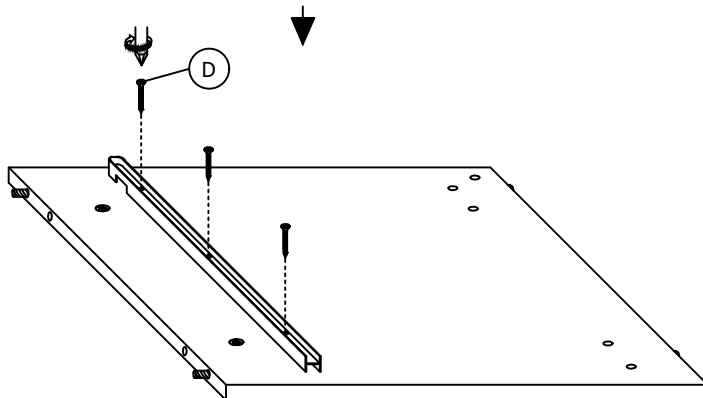
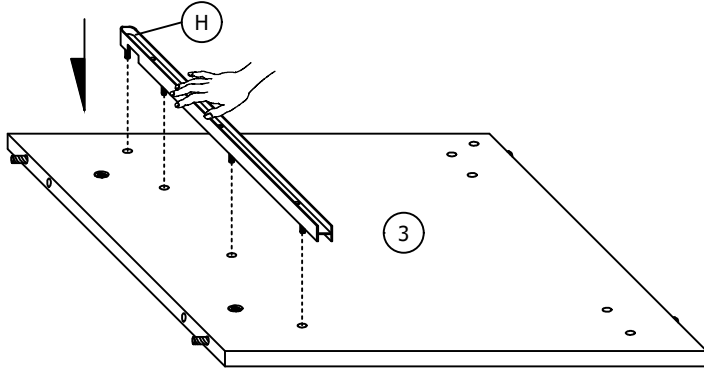
Insert 2 pieces WOOD DOWEL (C) to the RIGHT PANEL (3) . Then insert 2 pieces MINIFIX CAM LOCK (A) to the RIGHT PANEL (3) by your hand as shown.

Arrow need to face upside.

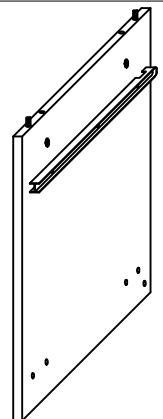


## STEP 6

Align the position of hole and insert 1 piece DRAWER SLIDE (G) to the RIGHT PANEL (3) by your hand. Then lock the DRAWER SLIDE (H) with 3 pieces WOOD SCREW (D) as shown.



Assembled become like this

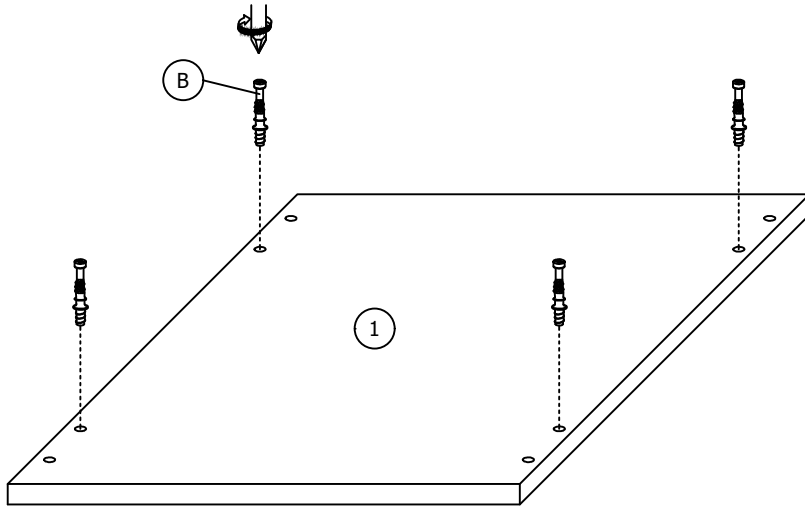


# NIGHTSTAND ASSEMBLY INSTRUCTION

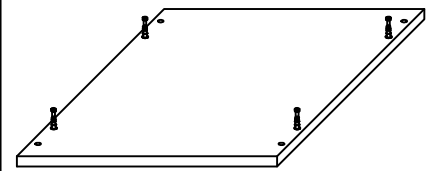
## STEP 7

**Attention : ensure that there is no any item may cause damage on the ground before put down the TOP PANEL (1).**

Insert 4 pieces MINIFIX CAM BOLT (B) to the TOP PANEL (1) as shown.

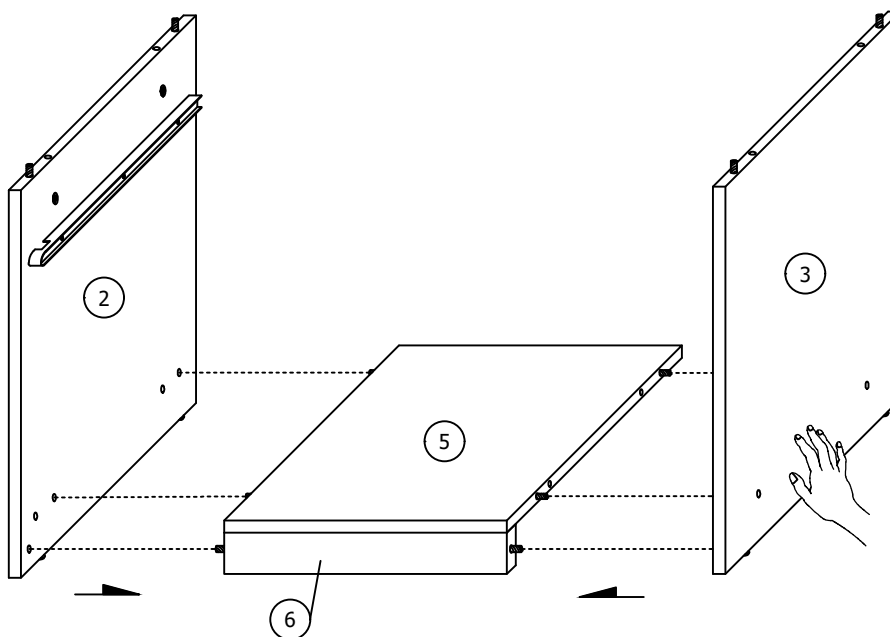


Assembled become like this



## STEP 8

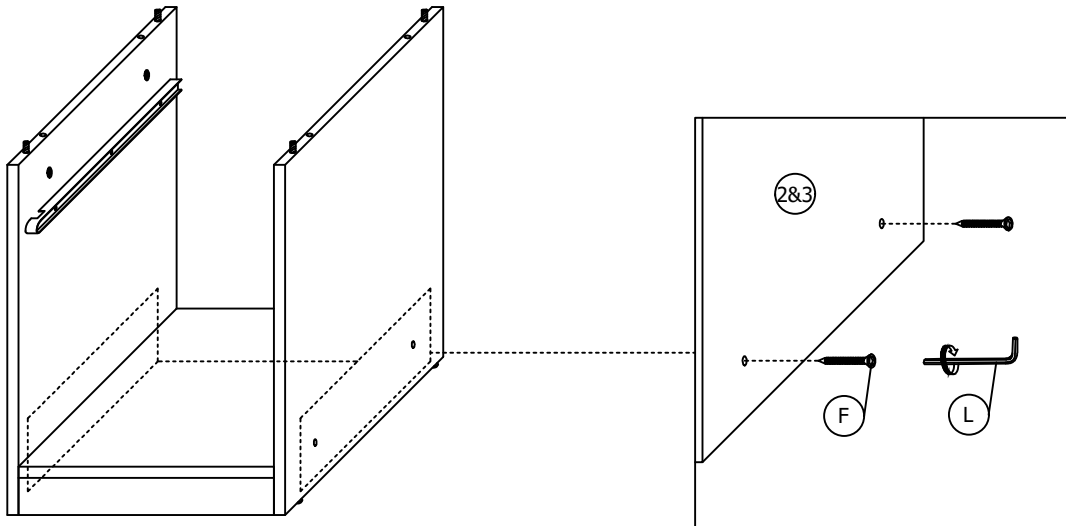
Align the position of hole and combine the LEFT and RIGHT PANEL (2) & (3) to the BOTTOM PANEL (5) and the BOTTOM SUPPORT RAIL (6) by your hand as shown.



# NIGHTSTAND ASSEMBLY INSTRUCTION

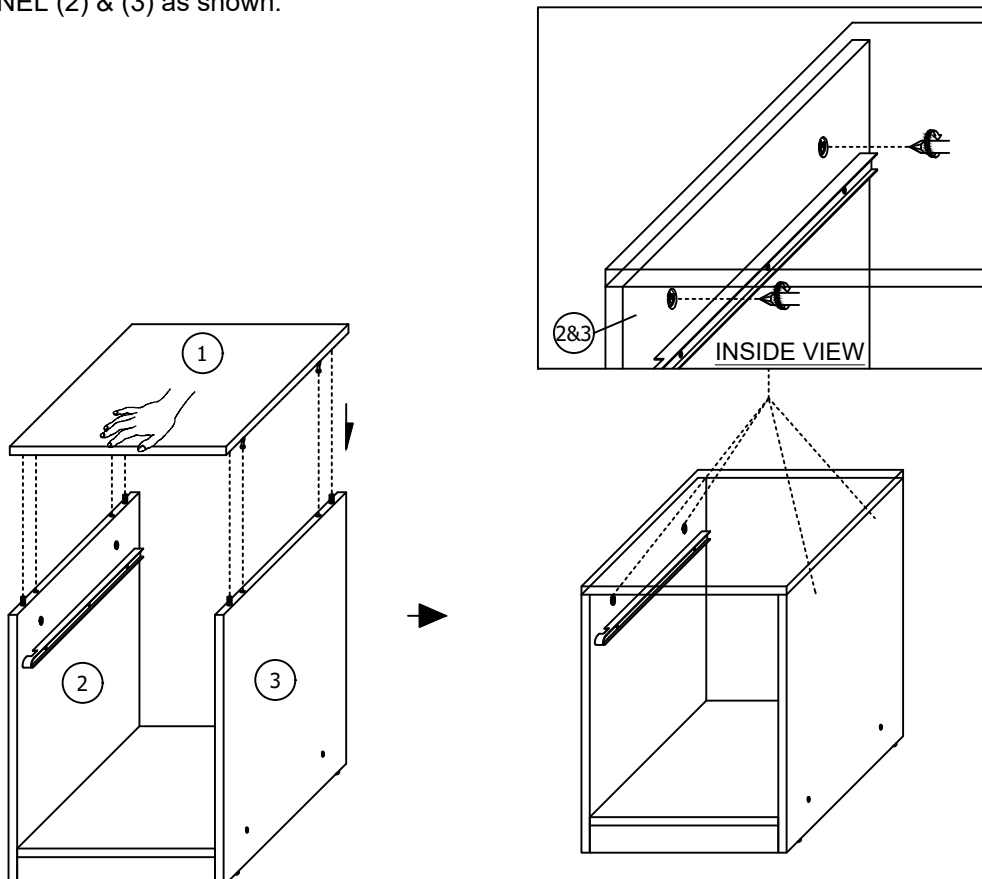
## STEP 9

Insert 4 pieces CAP WOOD SCREW (F) to the LEFT and RIGHT PANEL (2) & (3) as shown.



## STEP 10

Align the position of hole and combine the TOP PANEL (1) to the LEFT and RIGHT PANEL (2) & (3) by your hand as shown. Then tighten the 4 pieces MINIFIX CAM LOCK (A) (pre-insert in STEP 3 and STEP 5) at LEFT and RIGHT PANEL (2) & (3) as shown.

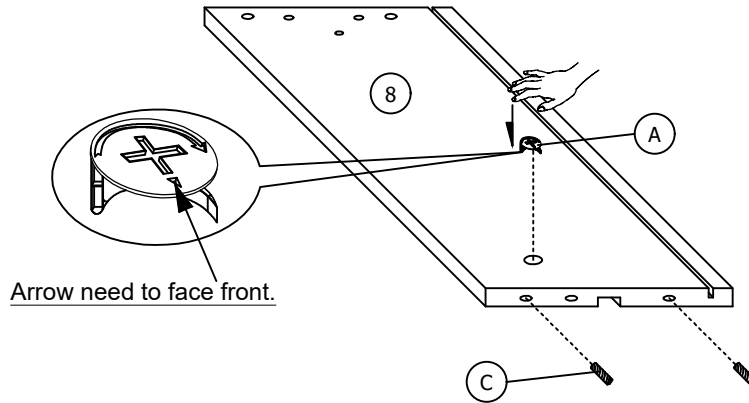


# NIGHTSTAND ASSEMBLY INSTRUCTION

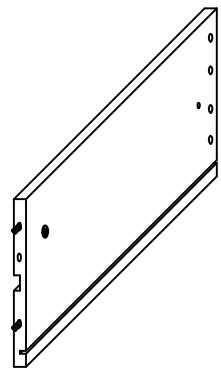
## STEP 11

**Attention : ensure that there is no any item may cause damage on the ground before put down the DRAWER LEFT PANEL (8).**

Insert 2 pieces WOOD DOWEL (C) to the DRAWER LEFT PANEL (8) . Then insert 1 piece MINIFIX CAM LOCK (A) to the DRAWER LEFT PANEL (8) as shown.



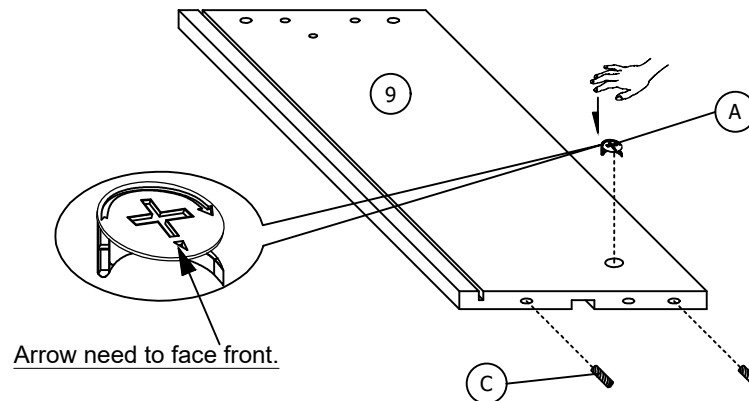
Assembled become like this



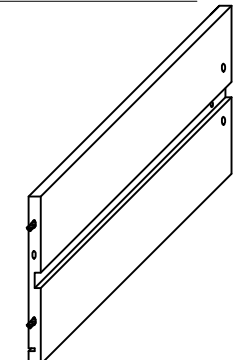
## STEP 12

**Attention : ensure that there is no any item may cause damage on the ground before put down the DRAWER RIGHT PANEL (9).**

Insert 2 pieces WOOD DOWEL (C) to the DRAWER RIGHT PANEL (9) . Then insert 1 piece MINIFIX CAM LOCK (A) to the DRAWER RIGHT PANEL (9) as shown.



Assembled become like this

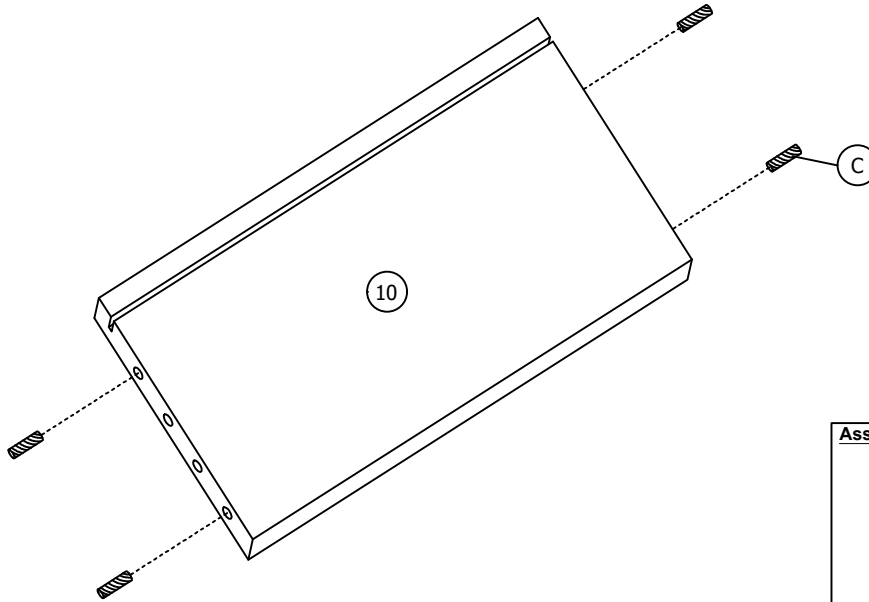


# NIGHTSTAND ASSEMBLY INSTRUCTION

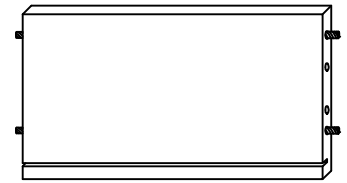
## STEP 13

**Attention : ensure that there is no any item may cause damage on the ground before put down the DRAWER BACK PANEL (10).**

Insert 4 pieces WOOD DOWEL (C) to the DRAWER BACK PANEL (10) as shown.



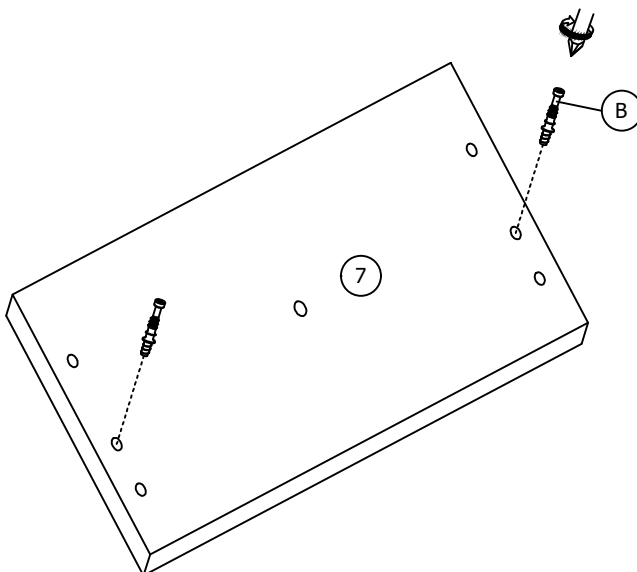
Assembled become like this



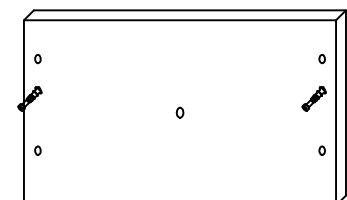
## STEP 14

**Attention : ensure that there is no any item may cause damage on the ground before put down the DRAWER HEAD (7).**

Insert 2 pieces MINIFIX CAM BOLT (B) to the DRAWER HEAD (7) as shown.



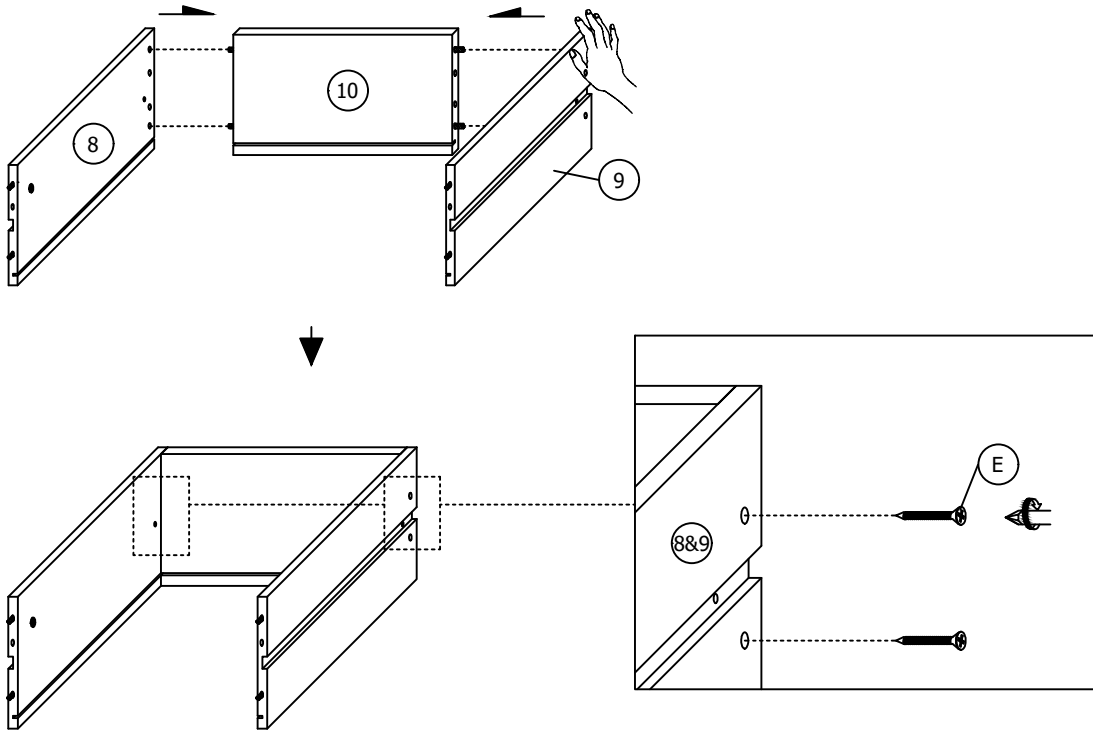
Assembled become like this



# NIGHTSTAND ASSEMBLY INSTRUCTION

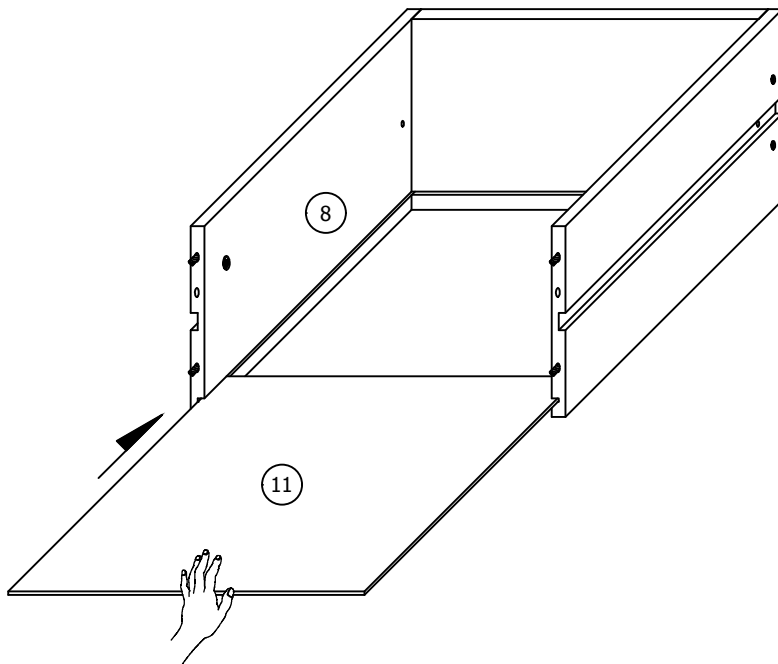
## STEP 15

Align the position of hole and combine the DRAWER LEFT and DRAWER RIGHT PANEL (8) & (9) to the DRAWER BACK PANEL (10) by your hand. Then fix it with 2 pieces CSK C/B SCREW (E) as shown.



## STEP 16

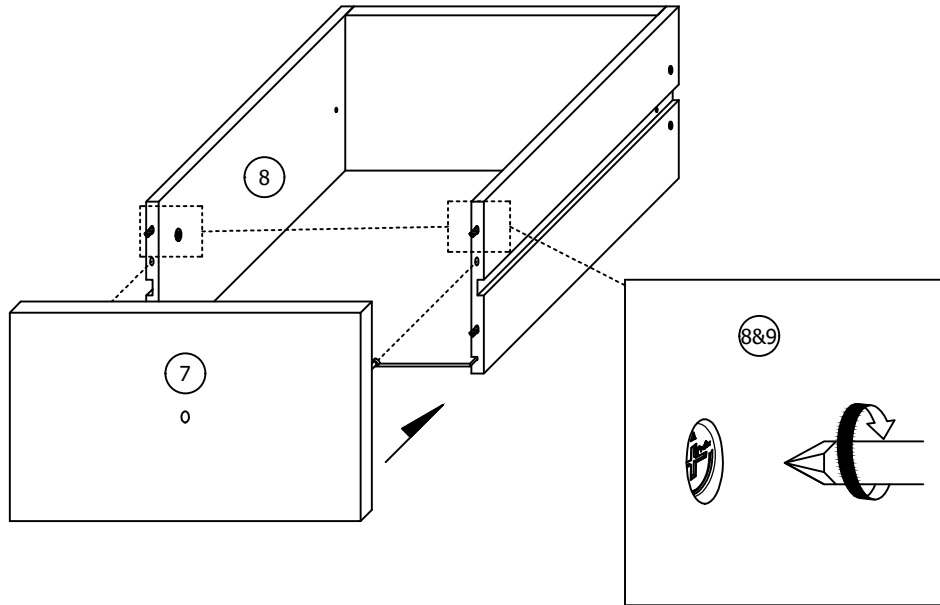
Put the DRAWER BOTTOM PANEL (11) into the gap as shown.



# NIGHTSTAND ASSEMBLY INSTRUCTION

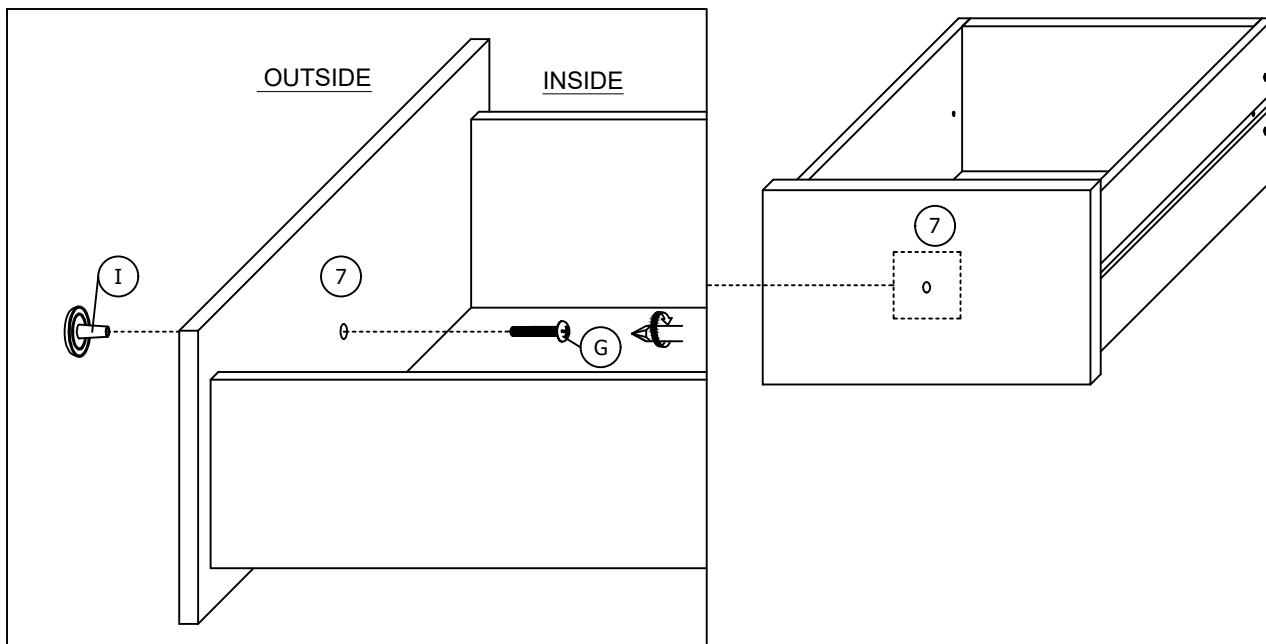
## STEP 17

Align the position of hole and combine the DRAWER HEAD (7) to DRAWER LEFT and DRAWER RIGHT PANEL (8) & (9). Then tighten the 2 pieces MINIFIX CAM LOCK (A) (pre-insert in STEP 11 and STEP 12) at DRAWER LEFT and DRAWER RIGHT PANEL (8) & (9) as shown.



## STEP 18

Fix the HANDLE (I) with the TRUSS M-SCREW (G) as shown.

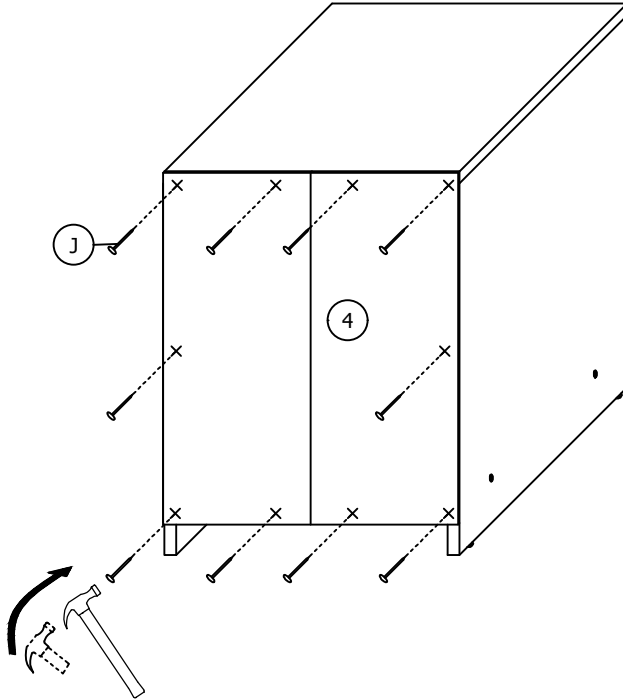


# NIGHTSTAND ASSEMBLY INSTRUCTION

## STEP 19

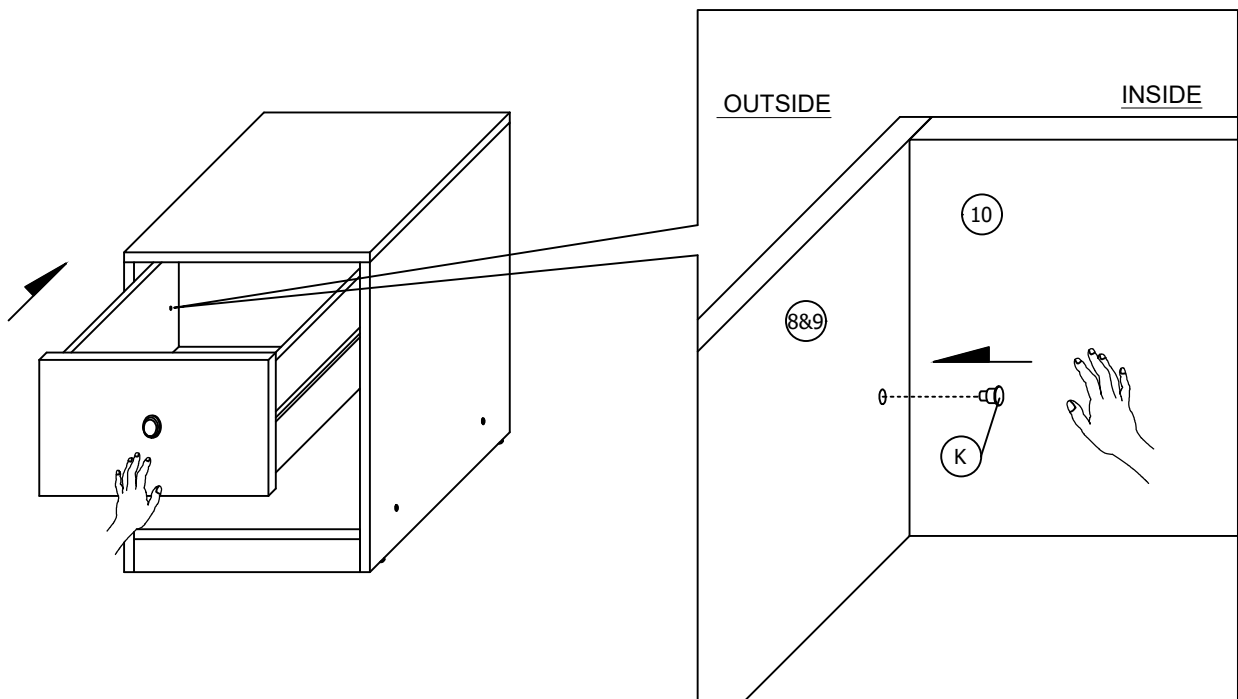
Insert 10 pieces 6/8" NAIL (J) at the BACK PANEL (4) with using a hammer as shown.

**ATTENTION : Need to nail at some thick position.**

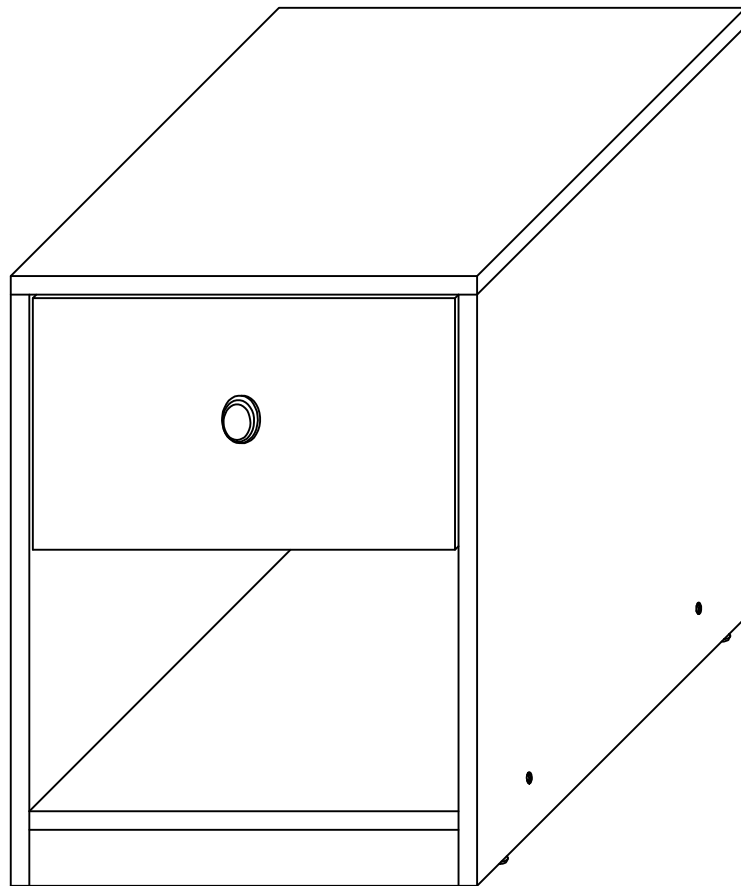


## STEP 20

Align the position of drawer and push inside exactly . After that , insert DRAWER STOPPER (K) to DRAWER LEFT PANEL (8) and DRAWER RIGHT PANEL (9) by your hand.



# NIGHTSTAND ASSEMBLY INSTRUCTION



**ASSEMBLY COMPLETED**