

HOW TO CLEAN

When cleaning the mirror, please follow these steps:

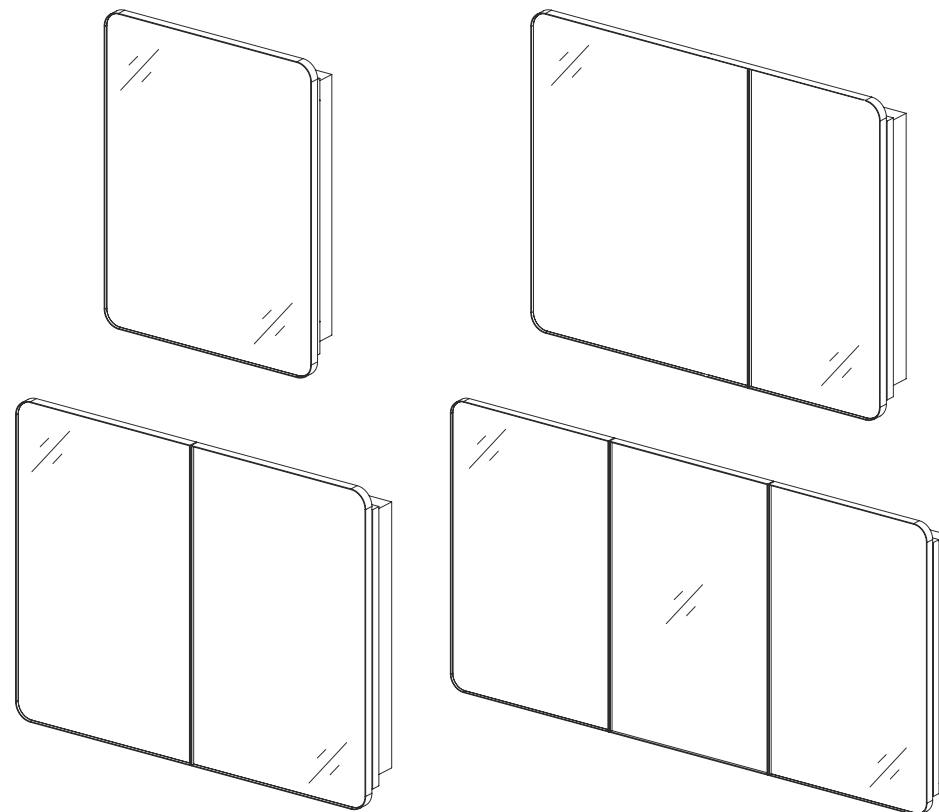
- ① Use a soft, non-abrasive cloth to clean the mirror. Avoid using rough or abrasive materials that may damage the surface.
- ② Do not use any cleaning agents that may cause irritation or damage to the mirror's finish. Instead, use any of the recommended cleansers to remove dirt and grime:
 - Gentle liquid detergents
 - Colorless cleansers
- ③ If any adhesive residue left, please wipe it off with a cloth dipped in water (instead of detergents).

Warranty

A two-year warranty from the date of your purchase.

BATHROOM MEDICINE CABINET

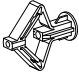




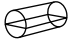
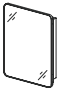
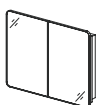
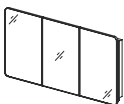
INSTALLATION MANUAL



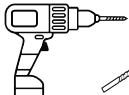



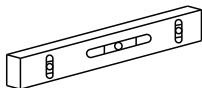
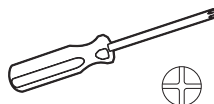

CONTACT US

After opening the package, please inspect the product immediately and see if there is any damage or missing parts. If there is, please feel free to **contact us** and we will reply within 24 hours.

PACKING LIST

	 Wall anchor-A	 Wall anchor-B	 Short screw	 Long screw	 Spout plug (Cabinet height $\geq 32"$)	 Bubble level
	4+1	4+1	4+1	4+1	8+1	1
	4+1	4+1	4+1	4+1	8+1	1
	4+1	4+1	4+1	4+1	8+1	1
	6+1	6+1	6+1	6+1	8+1	1

INSTALLATION TOOLS

 Electric Drill	 Hammer	 Marker Pen	 Tape Measure
 Level	 Phillips Screwdriver	 Safety Goggles	

BEFORE INSTALLATION

Thank you for choosing our products. To ensure the best possible experience, **please read carefully and follow the instructions provided below before assembling and installing the product.**

1. Important Safety Instructions:

Assembly by two or more adults is highly recommended.

Make sure that the fixing location (e.g. solid stone or brick walls) can support the weight of the entire product.

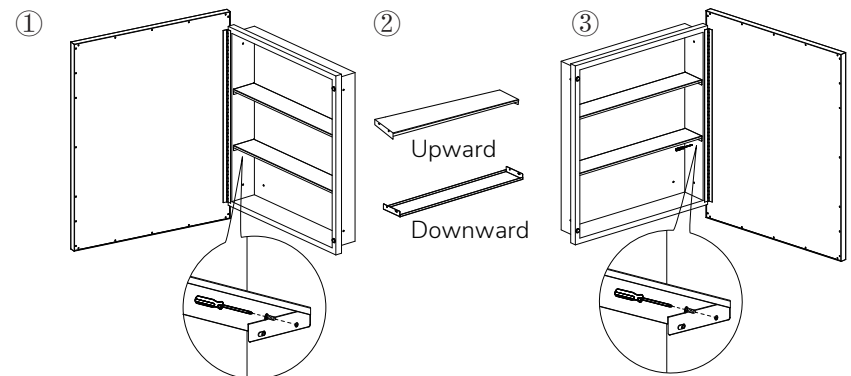
The product can be wall-mounted or recessed-mounted. If you prefer wall mounting, the wall should be covered with wood panels thicker than 8mm and supported by wall studs inside, or it should be a strong concrete wall.

To prevent injury, the medicine cabinet must be installed according to the instructions provided.

2. Pre-assembly: Inspect the product immediately upon receipt for any transit damage or missing parts.

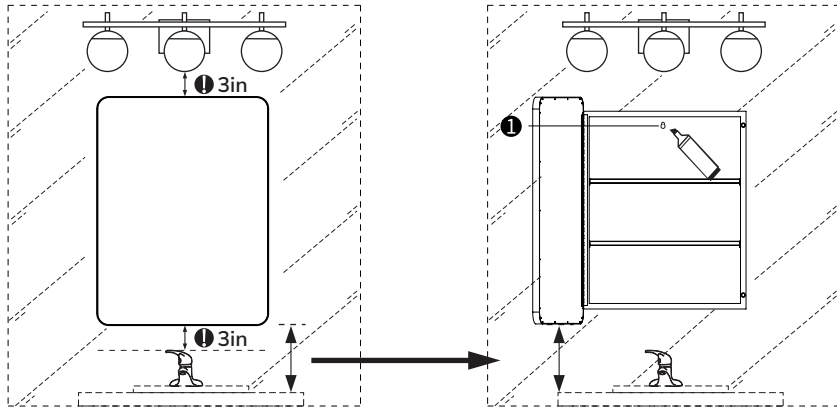
3. Before Installation: Please check and make sure that the medicine cabinet is functioning properly.

The medicine cabinet can be mounted with the door open to the left or right. If you want it open to the right, detach the shelves (①) and flip them around (②), and turn the cabinet upside down (③) for installation. (Shelves are adjustable in cabinets of 32" or higher.)



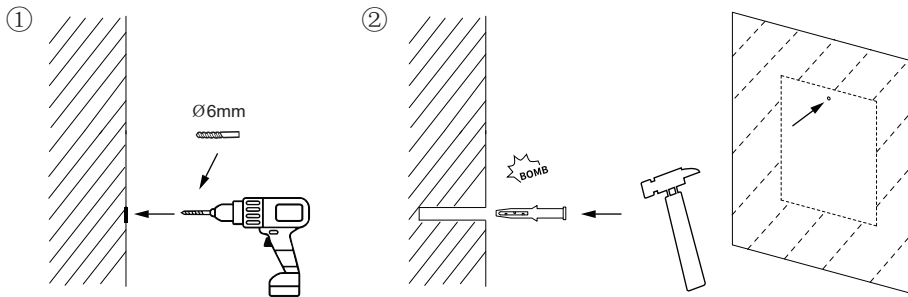
SINGLE-DOOR CABINET: WALL-MOUNTED


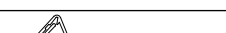
1. Place the medicine cabinet against the wall and mark spot ① on the wall.



Note: Please hang the cabinet at least 3 inches above the faucet.

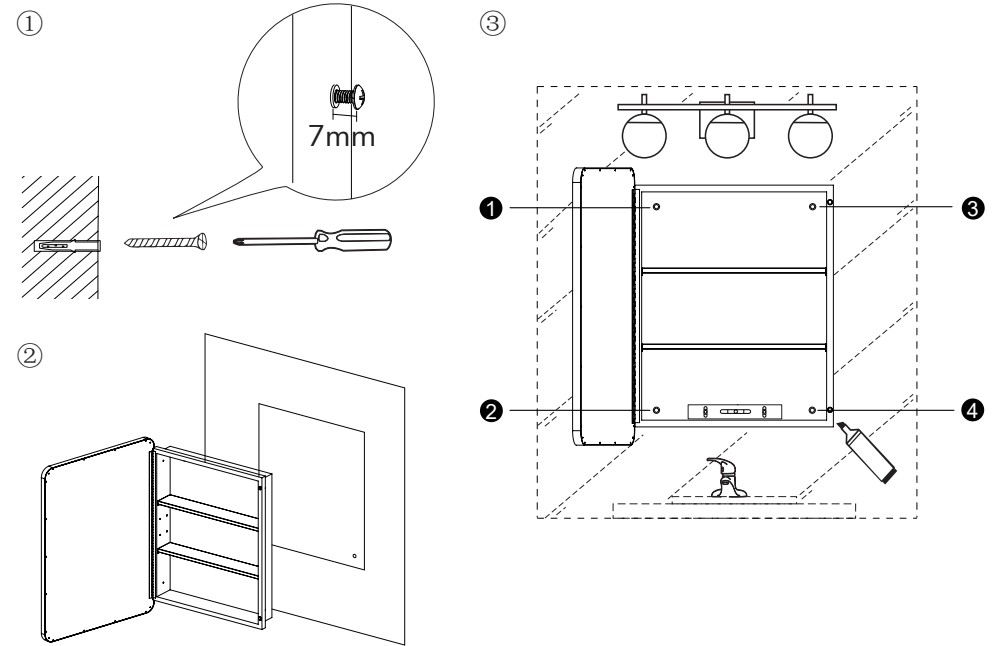
2. Put the medicine cabinet down, drill at the marked spot ① and apply a wall anchor ②.



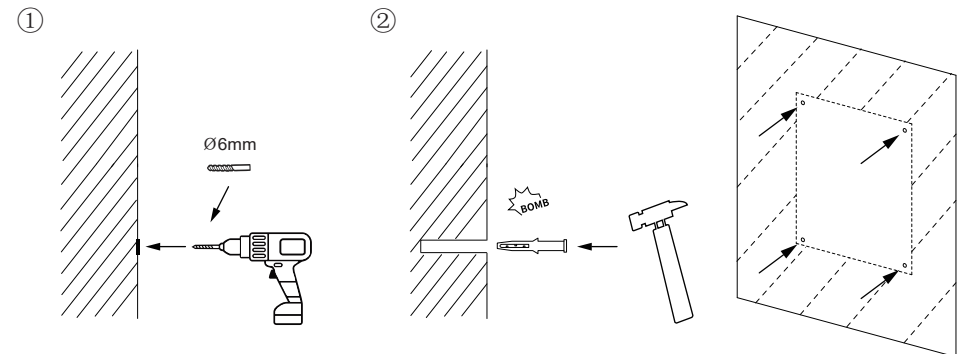
Thickness of Wall :	Recommended Drill Bit :
> 5/8" (16mm)	1/4" (6mm) drill bit, drilling depth in 1 31/32" (50mm) 
5/16" (8)-5/8" (16mm)	25/64" (10mm) drill bit 
< 5/16" (8mm)	Unapplicable

Note: Please hang the cabinet at least 3 inches above the faucet.

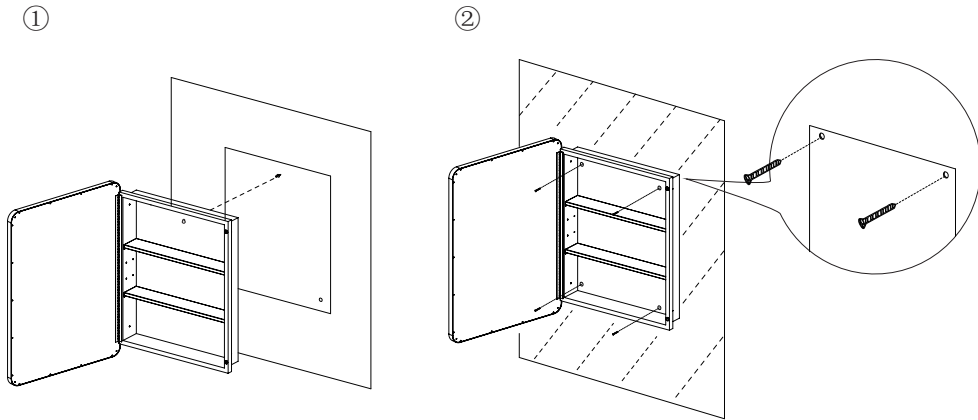
3. Fit a screw into the anchor, but leave a 7mm gap between the screw head and the wall ①. Hang the medicine cabinet on it ②, which can lighten the load and make it easier to hold the cabinet and mark the rest 4 spots ①②③④ with the help of a level ③.



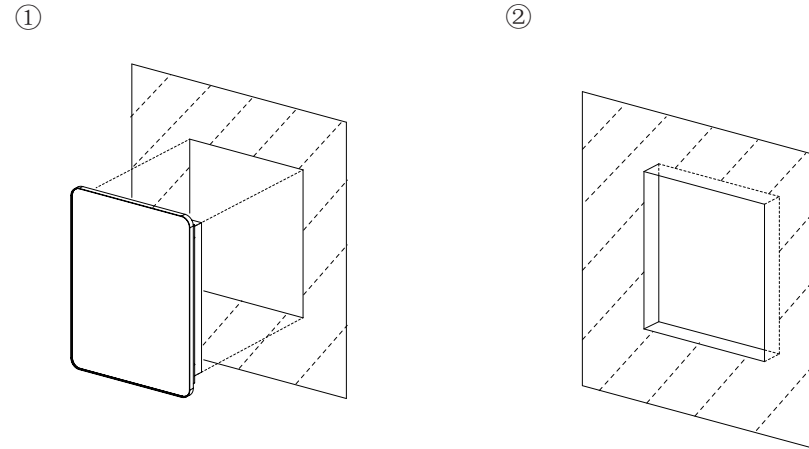
4. Put the cabinet down, punch holes at the marked spots ① with an electric drill, then apply wall anchors with a hammer ②.



5. One person lifts up the medicine cabinet and aligns it to the screw holes (①), while the other person secures the medicine cabinet to the wall with four screws at each corner and tightens the one in the middle (②).

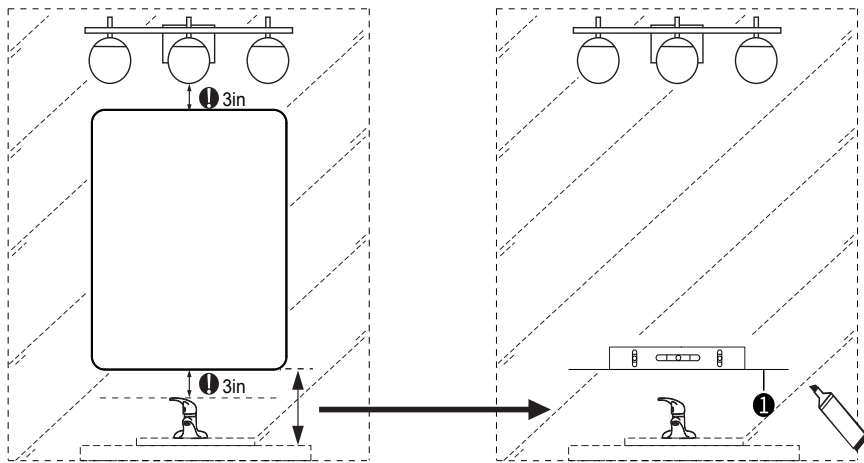


2. Make an outline for the cabinet box, cut the marked perimeter through the drywall (①), and remove the cutout (②).



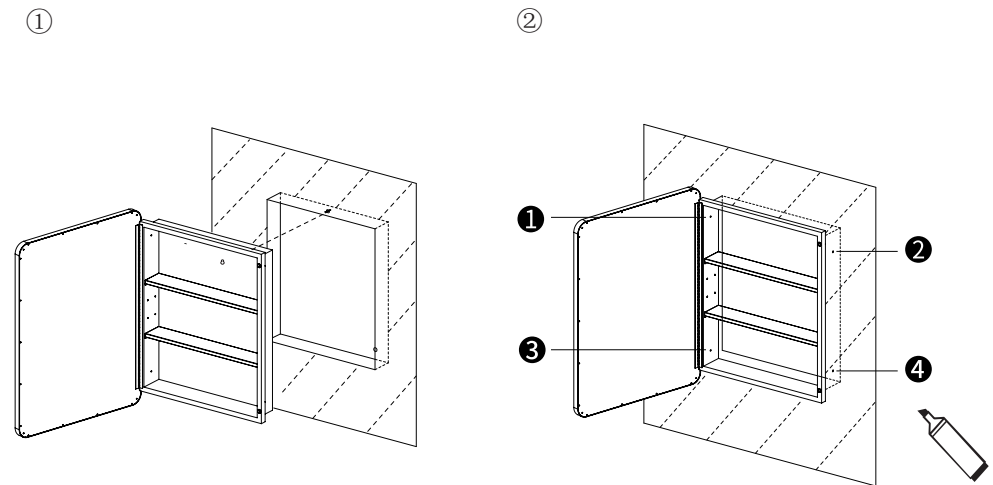
SINGLE-DOOR CABINET: RECESSED-MOUNTED

1. Place the medicine cabinet against the wall and mark the placement of the cabinet. Draw a line on the wall with a level and marker to indicate where the cabinet bottom is.

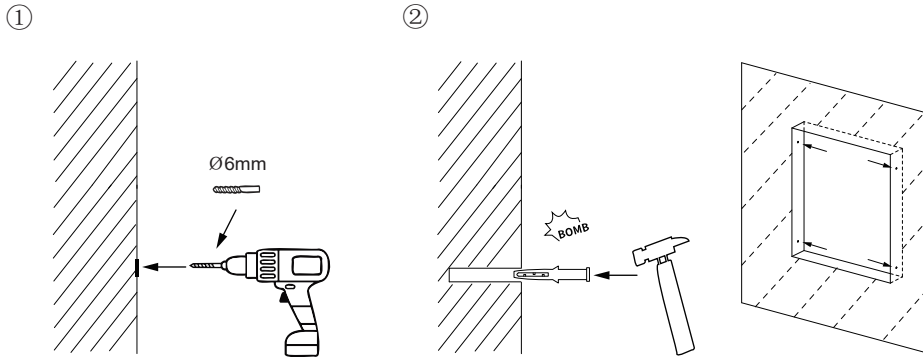



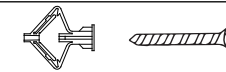
Note: Please hang the cabinet at least 3 inches above the faucet.

3. Put the medicine cabinet into the cutout (①) and mark the spots (①②③④) for drilling on the wall (②).

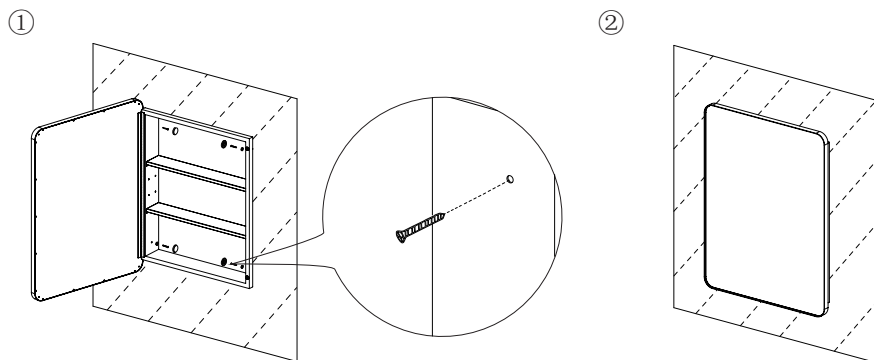


4. Take out the medicine cabinet, punch holes at the marked spots with an electric drill (①), and apply wall anchors with a hammer (②).



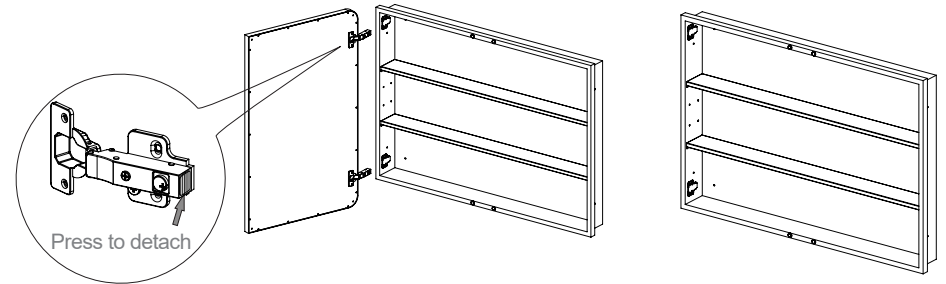
Thickness of Wall :	Recommended Drill Bit :
> 5/8" (16mm)	1/4" (6mm) drill bit, drilling depth in 1 31/32" (50mm) 
5/16" (8)-5/8" (16mm)	25/64" (10mm) drill bit 
< 5/16" (8mm)	Unapplicable

5. Place the medicine cabinet in the cutout together (①) and secure the cabinet with screws (②).

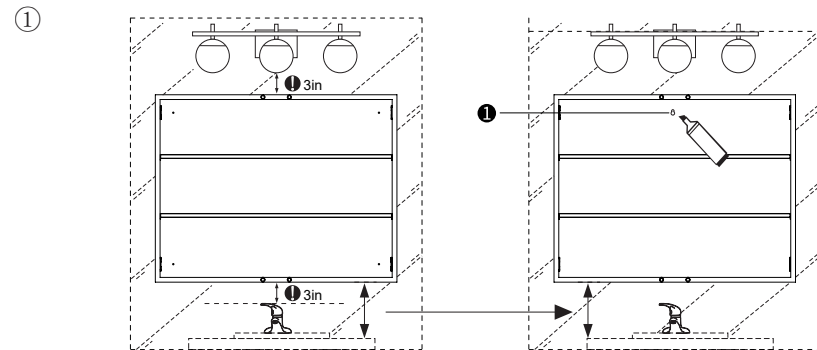


DOUBLE/TRIPLE-DOOR CABINET: WALL-MOUNTED

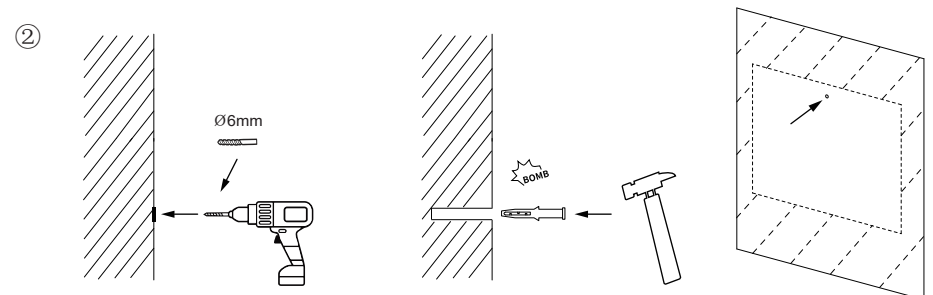
1. Before installation, remove the cabinet door first by detaching the hydraulic hinges.



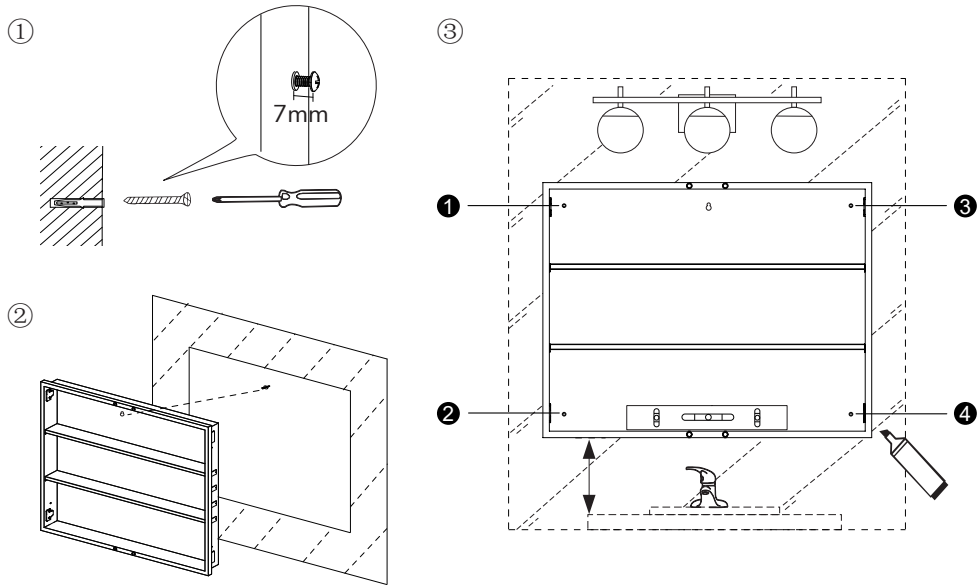
2. Place the medicine cabinet against the wall and mark spot ① on the wall (①). Put the cabinet down, drill at the marked spot and apply a wall anchor (②).



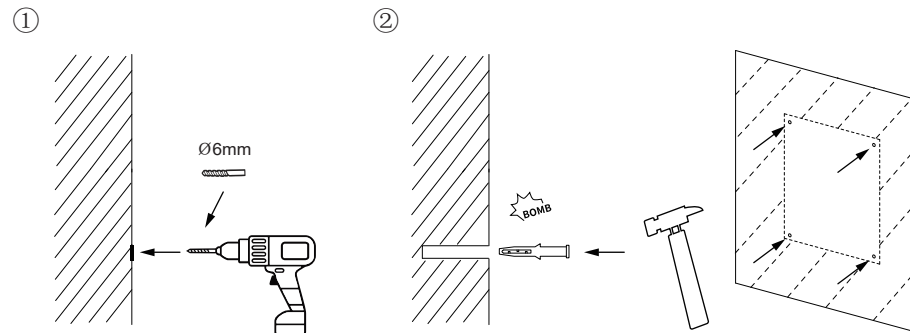
Note: Please hang the cabinet at least 3 inches above the faucet.

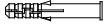

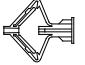
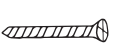


3. Fit a screw into the anchor, but leave a 7mm gap between the screw head and the wall (①). Hang the medicine cabinet on it (②), which can lighten the load and make it easier to hold the cabinet and mark the rest 4 spots ①②③④ with the help of a level (③).

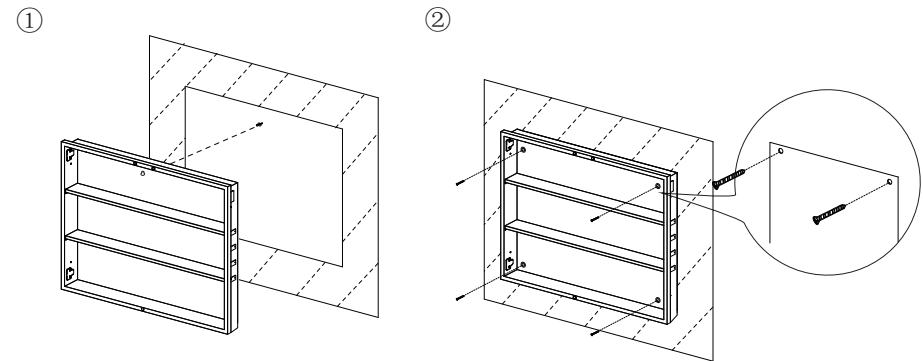


4. Put the cabinet down, punch holes at the marked spots (①) with an electric drill, then apply wall anchors with a hammer (②).

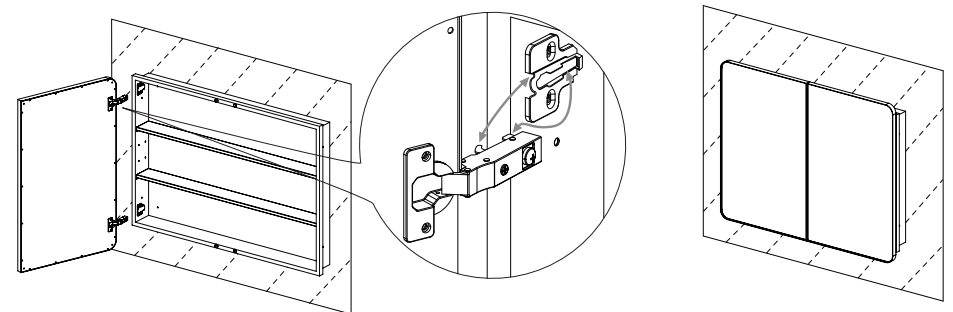


Thickness of Wall :	Recommended Drill Bit :
> 5/8" (16mm)	1/4" (6mm) drill bit, drilling depth in 1 31/32" (50mm)  
5/16" (8)-5/8" (16mm)	25/64" (10mm) drill bit  
< 5/16" (8mm)	Unapplicable

5. One person lifts up the medicine cabinet and aligns it to the screw holes (①), while the other person secure the medicine cabinet to the wall with four screws at each corner and tighten the one in the middle (②).

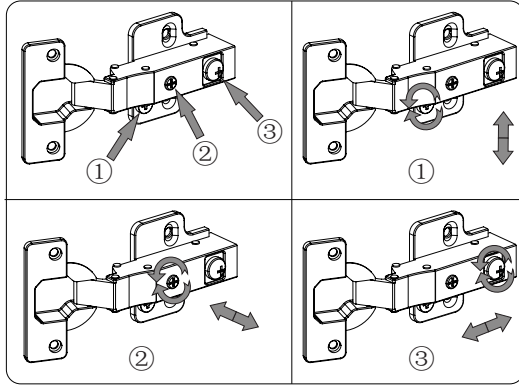


6. Reinstall the cabinet door by attaching hydraulic hinges.



How to Adjust Hydraulic Hinges

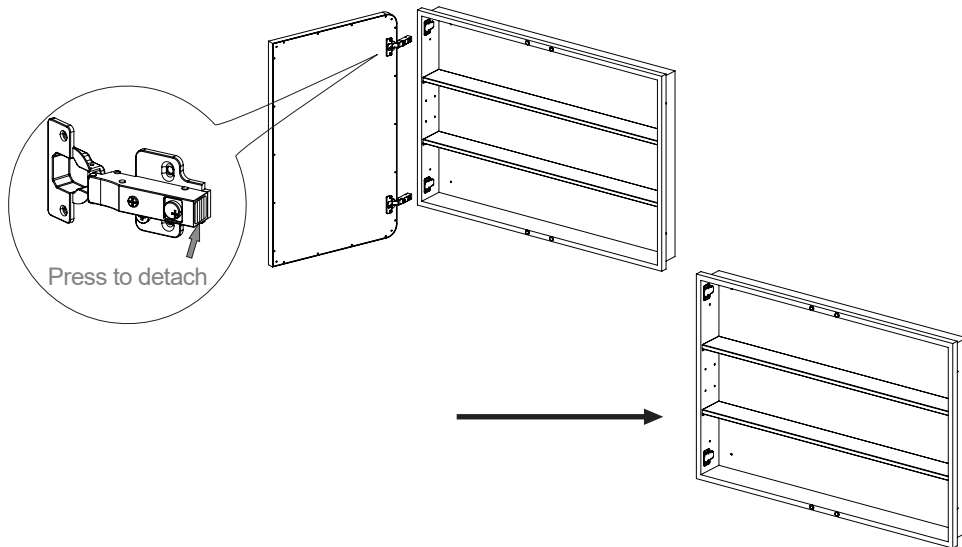
- Turn screw ① to release the mounting plate from the cabinet, allowing the door to be moved up and down;
- Turn front screw ② to adjust the depth of door overlay;
- Turn the eccentric screw ③ to adjust the gap between the door and cabinet.



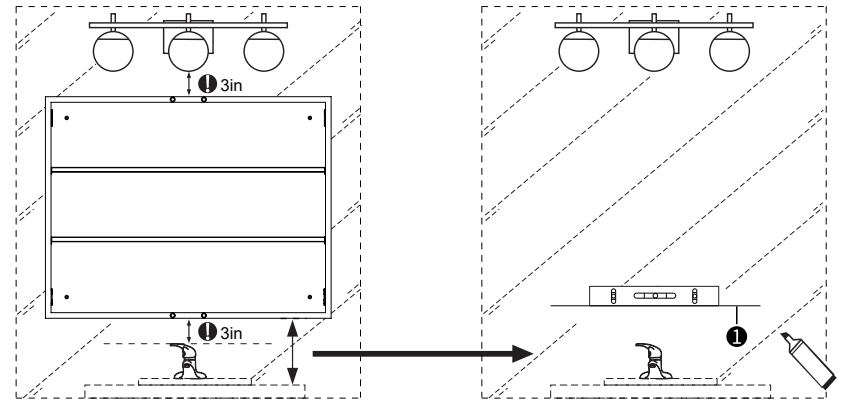
Note: No hydraulic hinges are applied in single-door medicine cabinets, which adopt piano hinges instead.

DOUBLE/TRIPLE-DOOR CABINET: RECESSED-MOUNTED

1. Before installation, remove the cabinet door first by detaching the hydraulic hinges.

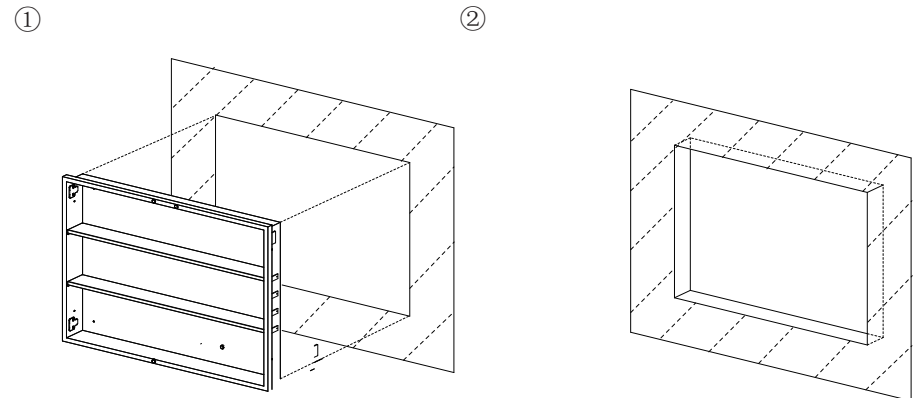


2. Place the medicine cabinet against the wall and mark the placement of the cabinet. Draw a line on the wall with a level and marker to indicate where the cabinet bottom is.

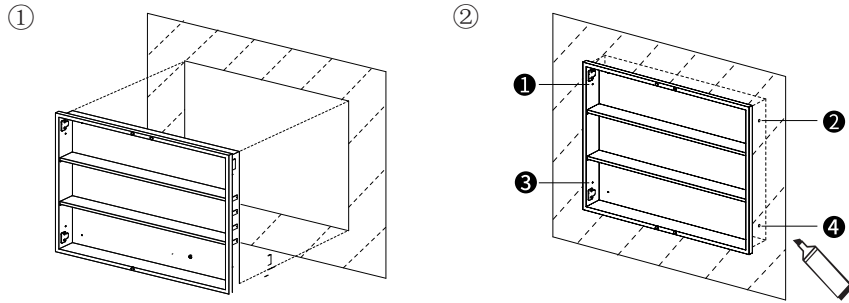


Note: Please hang the cabinet at least 3 inches above the faucet.

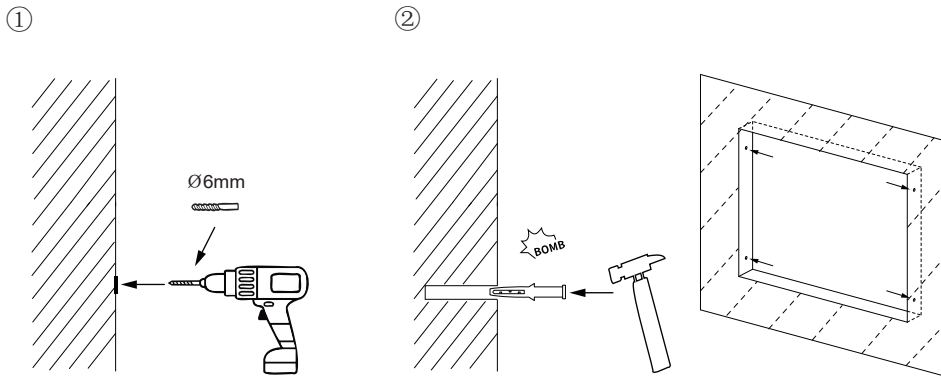
3. Make an outline for the cabinet box, cut the marked perimeter through the drywall (①), and remove the cutout (②).

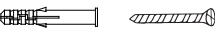



3. Put the medicine cabinet into the cutout (①) and mark the spots ①②③④ for drilling on the wall (②).

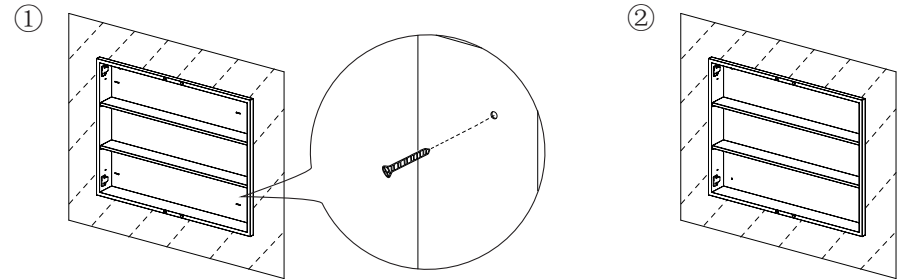


4. Take out the medicine cabinet, punch holes at the marked spots with an electric drill (①), and apply wall anchors with a hammer (②).

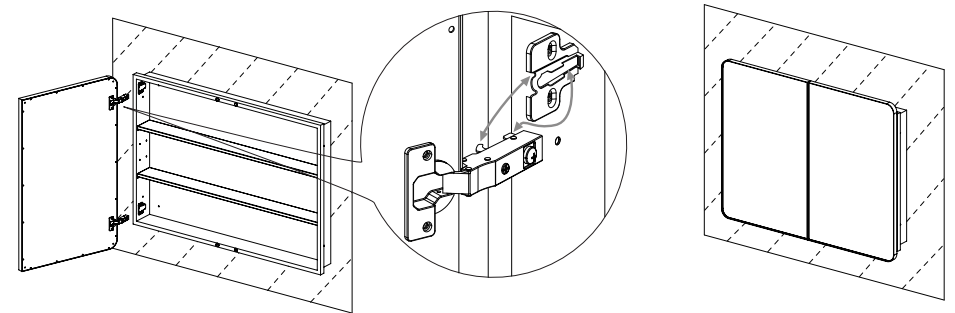


Thickness of Wall :	Recommended Drill Bit :
> 5/8" (16mm)	1/4" (6mm) drill bit, drilling depth in 1 31/32" (50mm) 
5/16" (8)-5/8" (16mm)	25/64" (10mm) drill bit 
< 5/16" (8mm)	Unapplicable

5. Place the medicine cabinet in the cutout together (①) and secure the cabinet with screws (②).

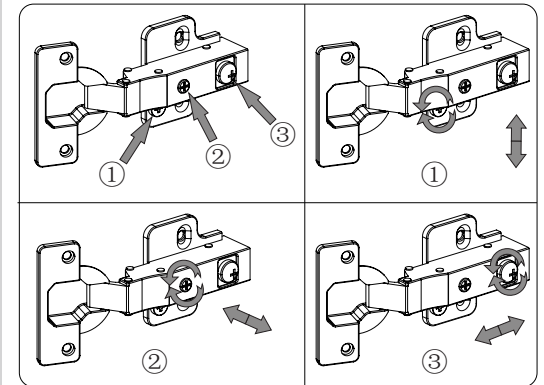


6. Reinstall the cabinet door by attaching hydraulic hinges.



How to Adjust Hydraulic Hinges

- Turn screw ① to release the mounting plate from the cabinet, allowing the door to be moved up and down;
- Turn front screw ② to adjust the depth of door overlay;
- Turn the eccentric screw ③ to adjust the gap between the door and cabinet.



Note: No hydraulic hinges are applied in single-door medicine cabinets, which adopt piano hinges instead.