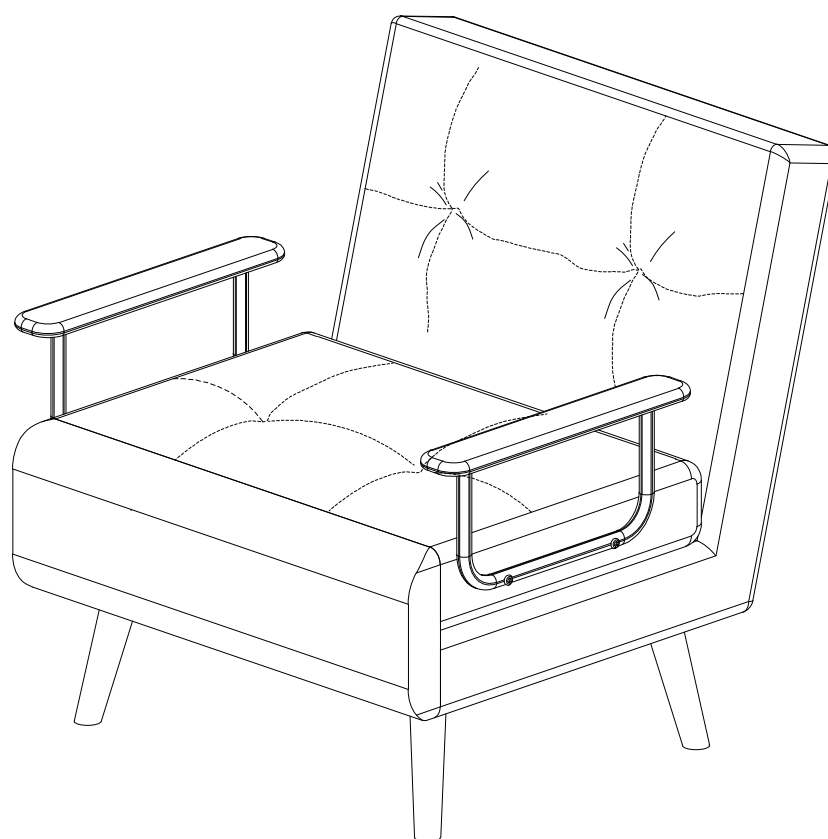


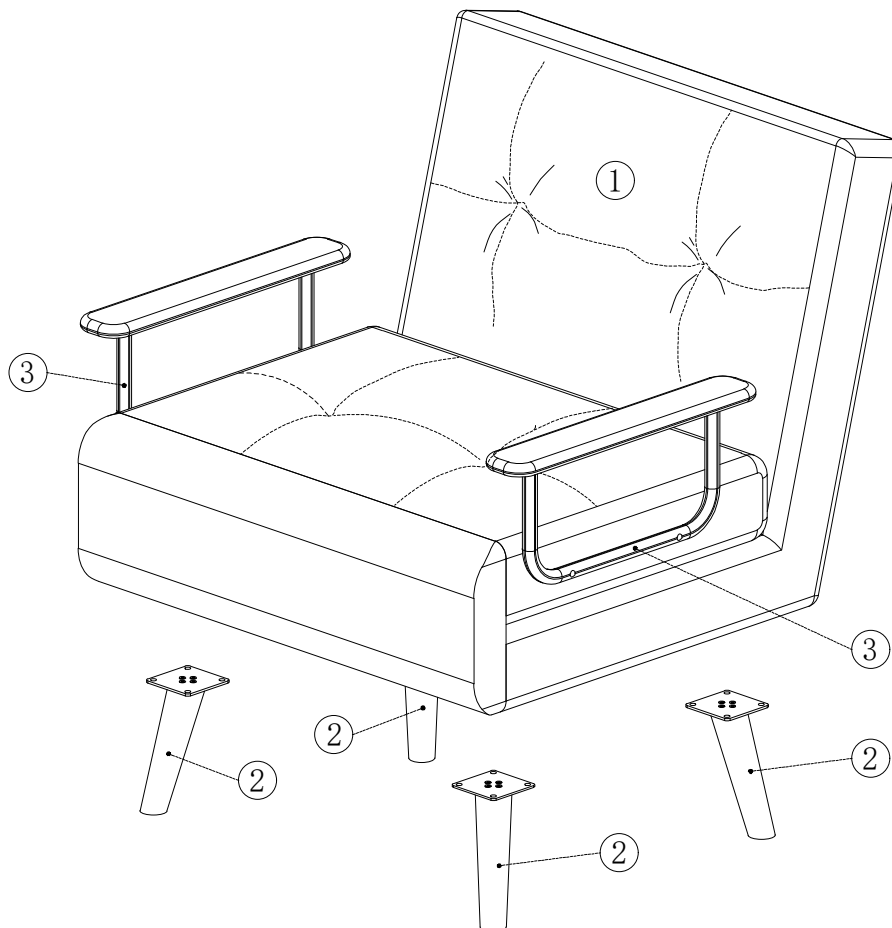
Folding Sofa



Installation Diagram

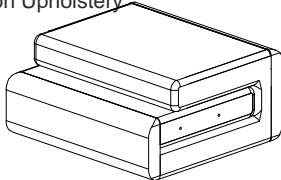
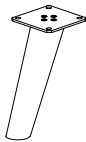
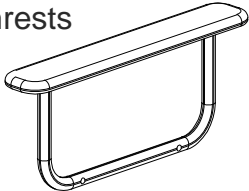
Specifications

Folding Sofa

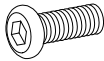

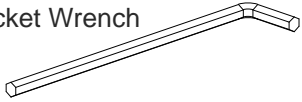
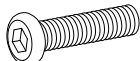
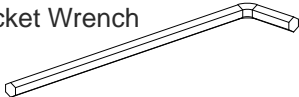


Specifications: Folding Sofa

Parts List

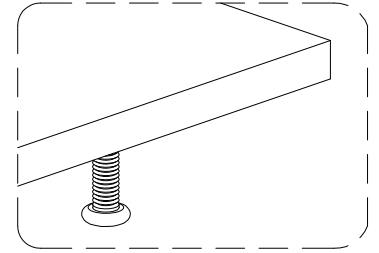
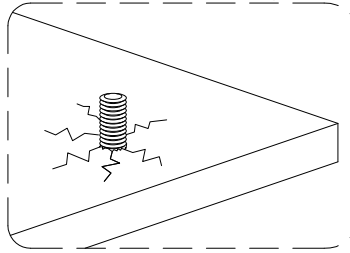
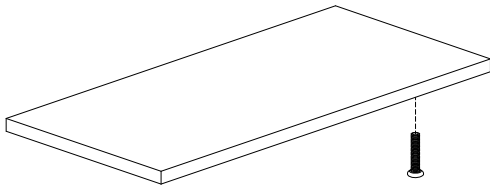
<p>① Cushion Upholstery</p>  <p>1PC</p>	<p>② Legs</p>  <p>4PCS</p>	<p>③ Armrests</p>  <p>2PCS</p>
--	---	---

Hardware List

<p>A Hex Socket Bolt</p>  <p>M8*25MM 16+1PCS</p>	<p>B Flat Washer</p>  <p>M8*外φ19mm 16+1PCS</p>	<p>C Hex Socket Wrench</p>  <p>M5*70MM 1PC</p>
<p>D Flange Head Hex Socket Bolt</p>  <p>M8*60MM 4+1PCS</p>	<p>E Hex Socket Wrench</p>  <p>M6*90MM 1PC</p>	

Attention

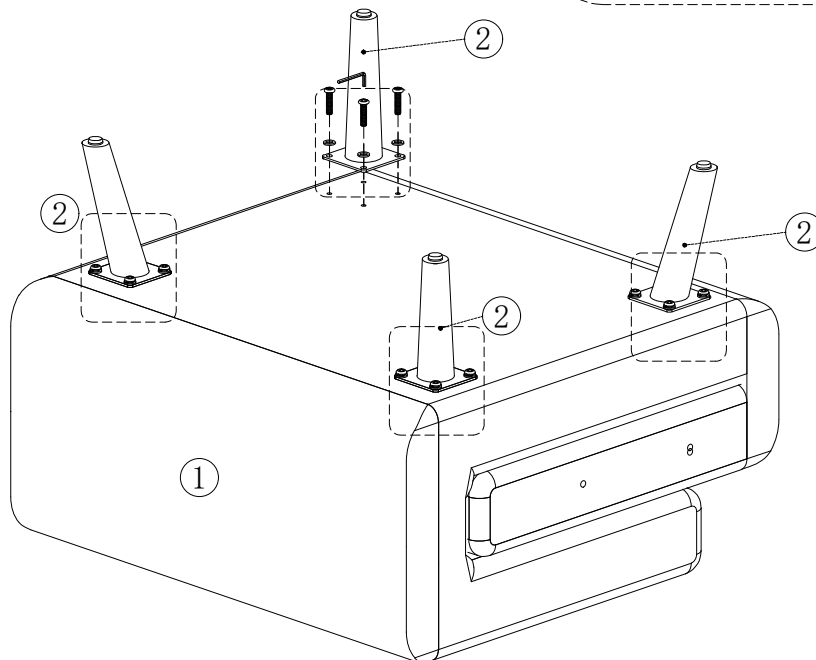
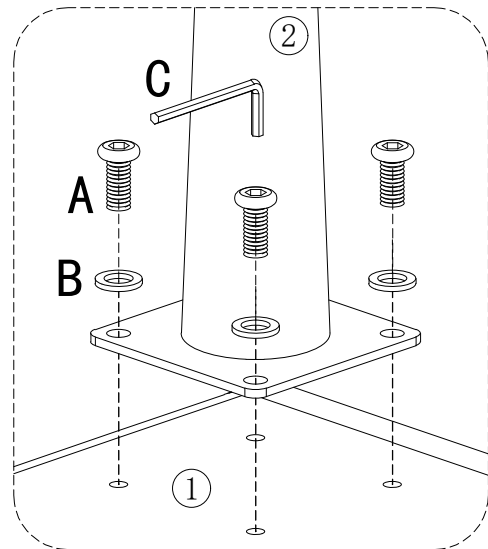
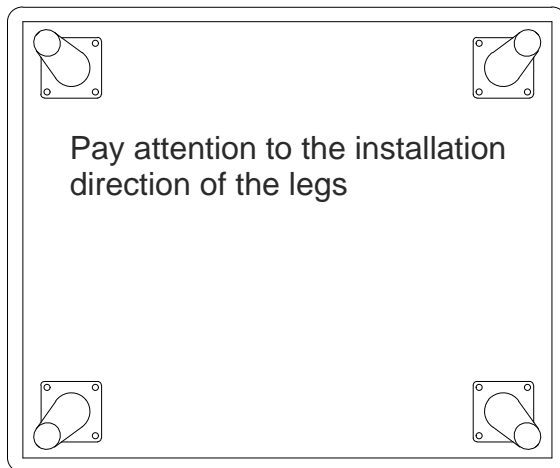
Using appropriate screws can prevent damage to these components






Example Incorrect: The screw may cause the wooden board to split

Correct: The screw is of the correct size

Step1

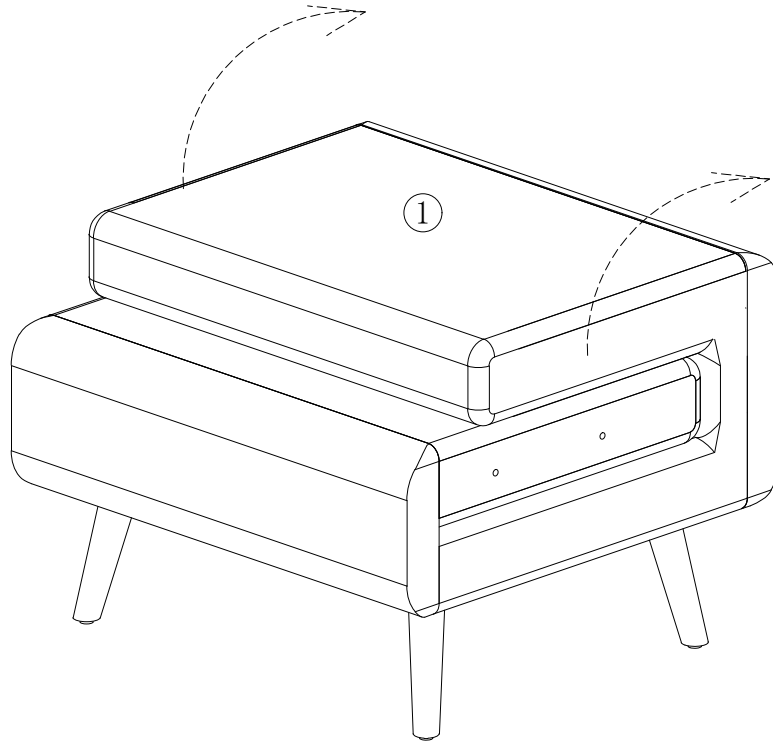


►As shown in the figure: Assemble Component 2 on Component 1 with Hardware A/B/C, and pay attention to the direction of the legs.

A		X16
B		X16
C		X1

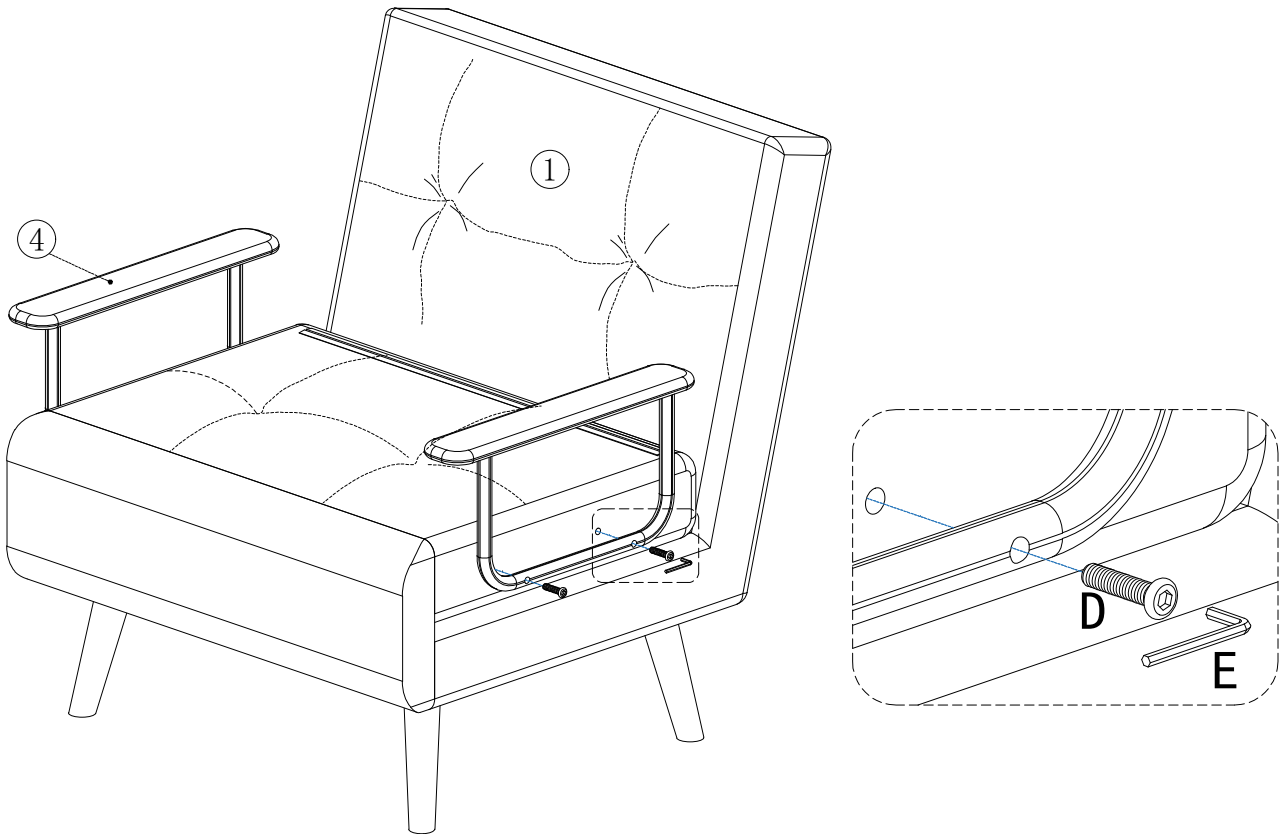
Specifications: Folding Sofa

Step2





►As shown in the figure: Unfold the assembly from Step 1 as illustrated.

Step3

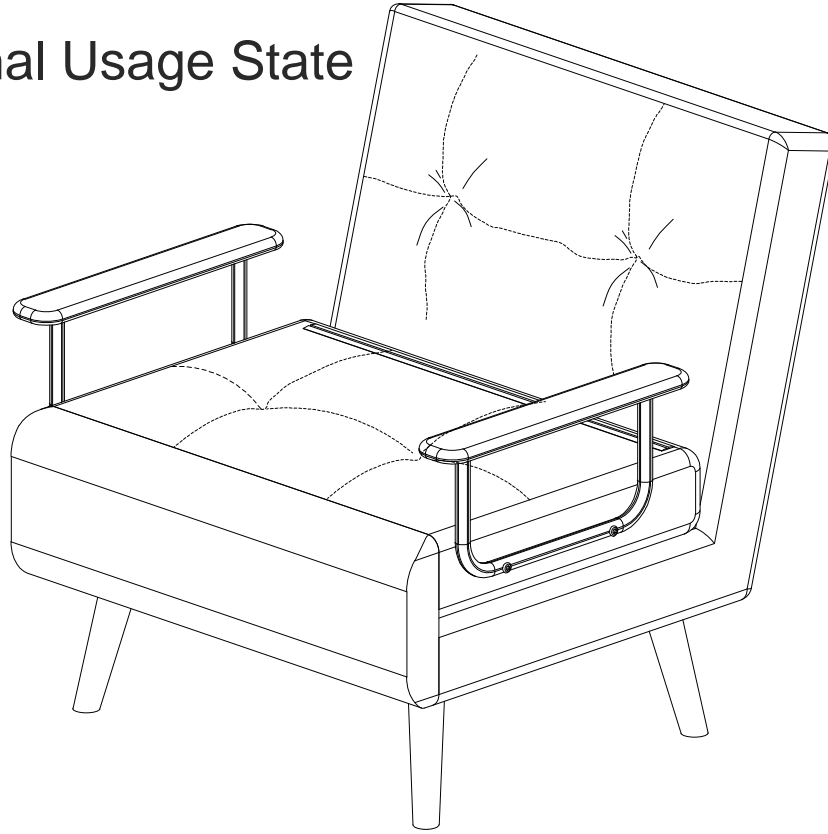


►As shown in the figure: Assemble the assembly from Step 2 on the assembly from Step 1 with Hardware D and E.

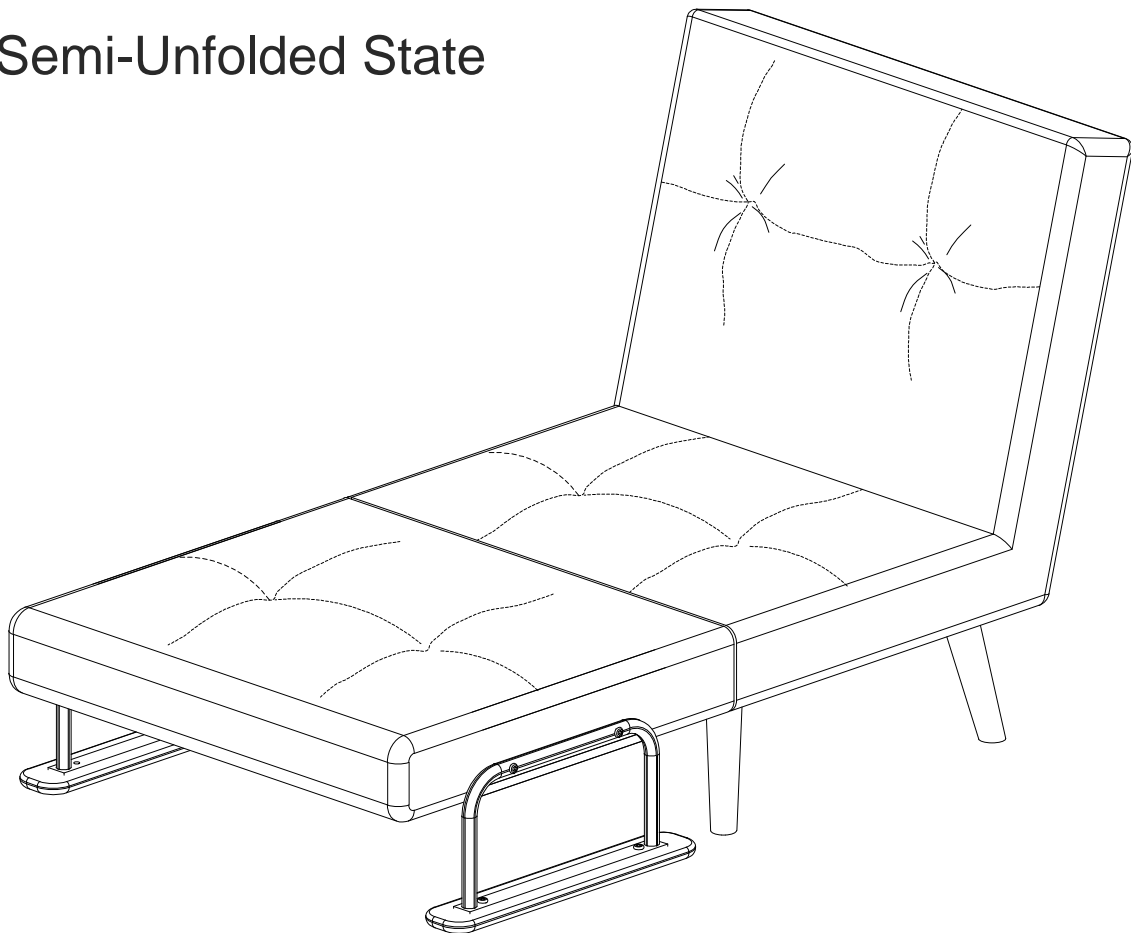
D		X4
E		X1

Step4

Normal Usage State

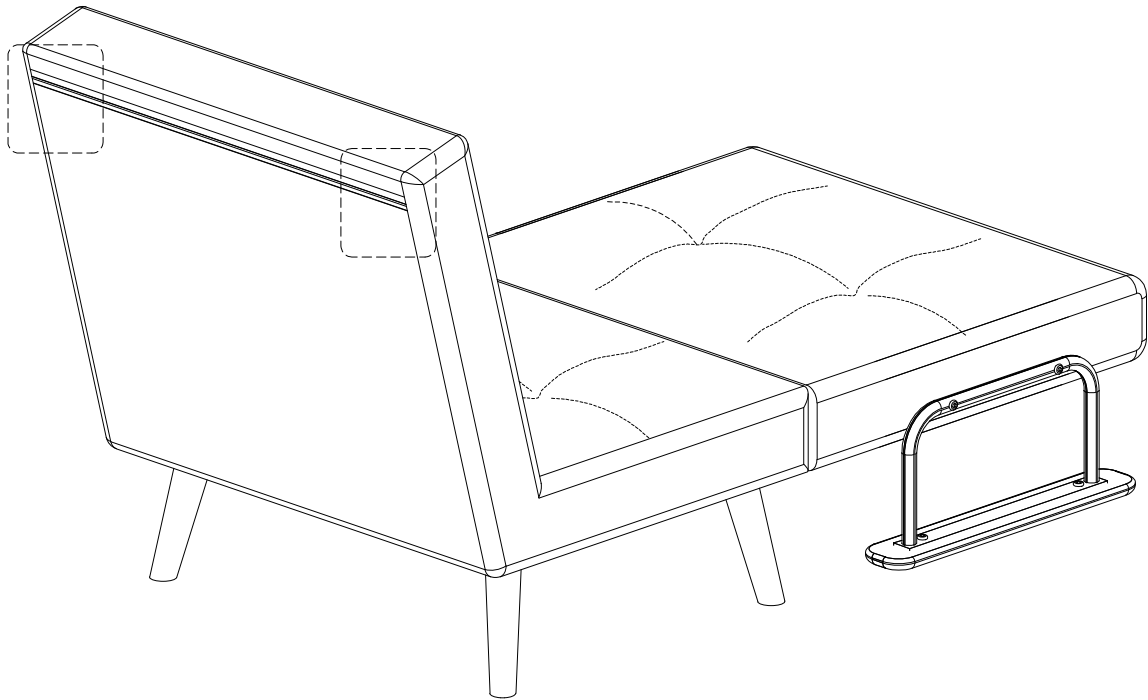


Semi-Unfolded State

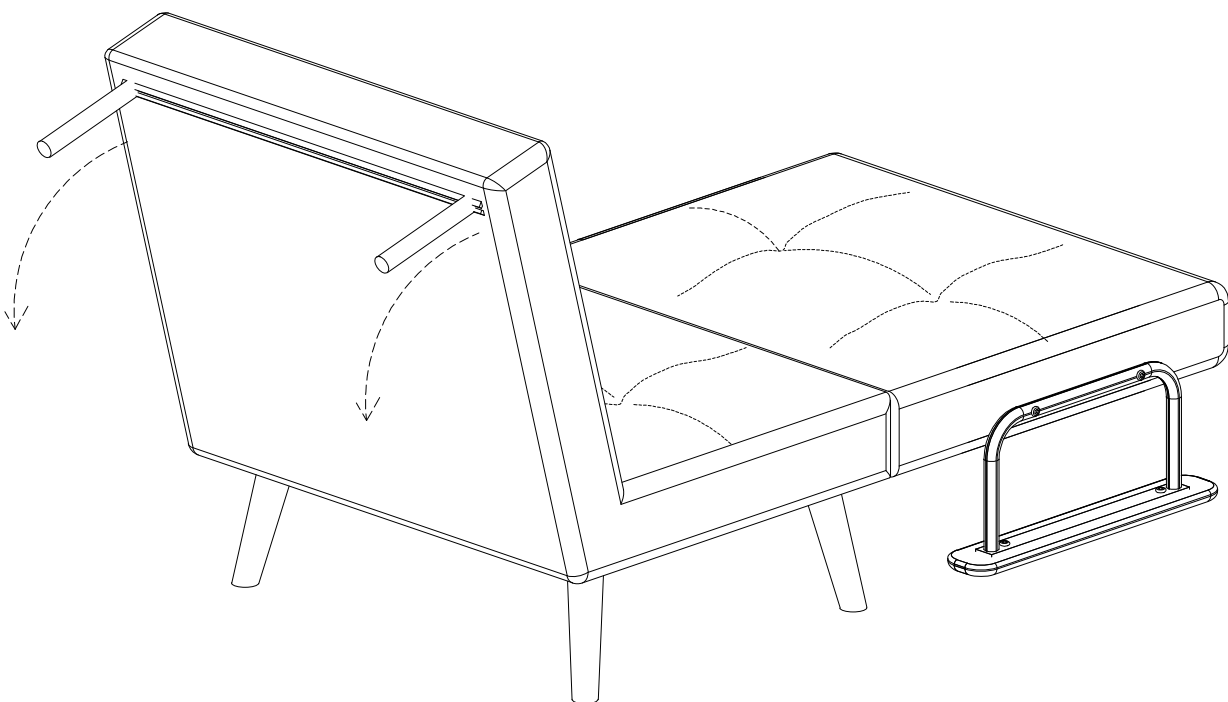


Specifications: Folding Sofa

Step 5



- As shown in the figure: First open the zipper at the back of the backrest, then unfold the hidden internal hardware legs.



- As shown in the figure: Lay down the backrest.

Step6

Fully Unfolded State

