

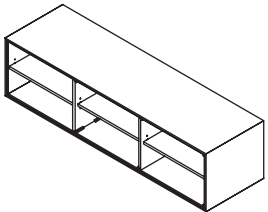
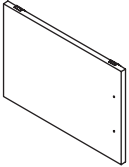
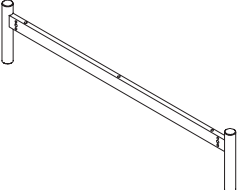
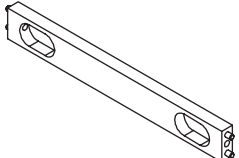
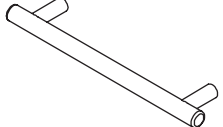
ASSEMBLY INSTRUCTION



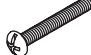



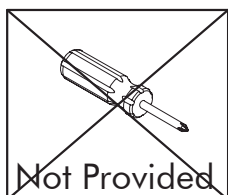
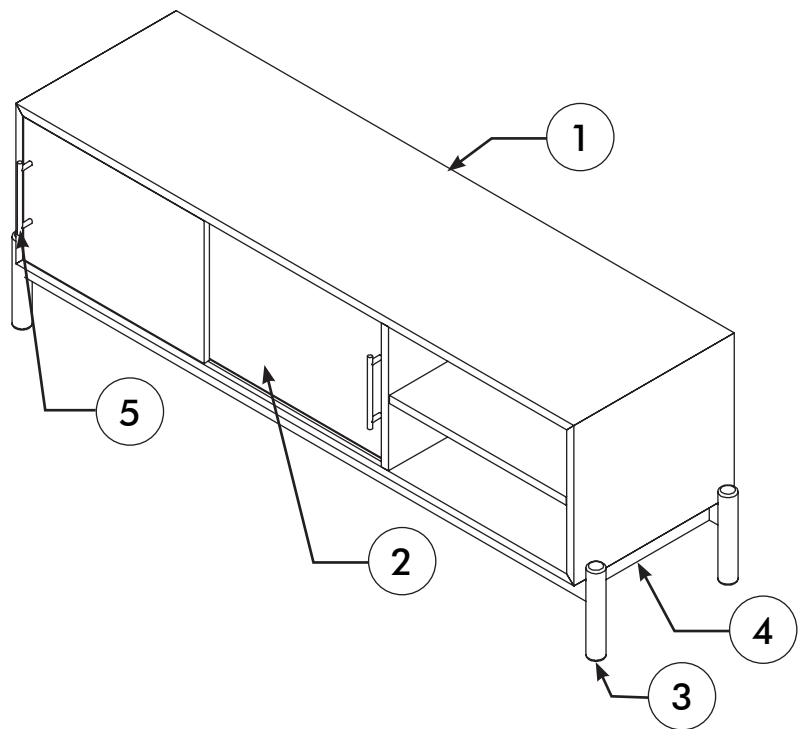
TV STAND - 65 IN

30 min

Thank you for purchasing this quality product. Be sure to check all packing material carefully for small parts which may have come loose inside the carton during shipment. Identify and count all parts and compare with the parts list below.

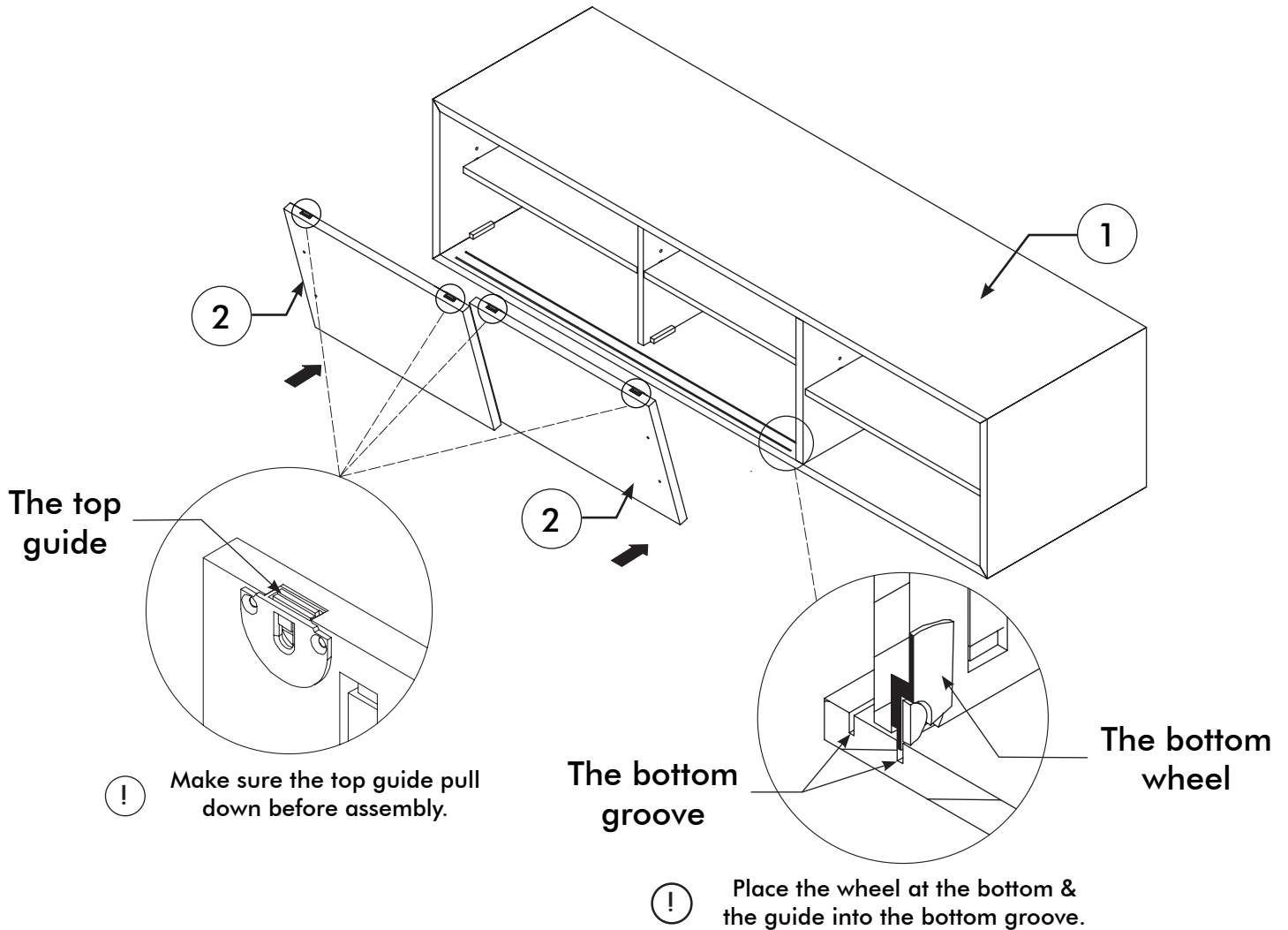
1	TV STAND CABINET		1 PC
2	SLIDING DOOR		2 PCS
3	LEG		2 PCS
4	RAIL		3 PCS
5	HANDLE		2 PCS

A	M6 x 50		14 PCS
B	ARC WASHER		6 PCS
C	M4 x 30		4 PCS
D	ALLEN KEY		1 PC

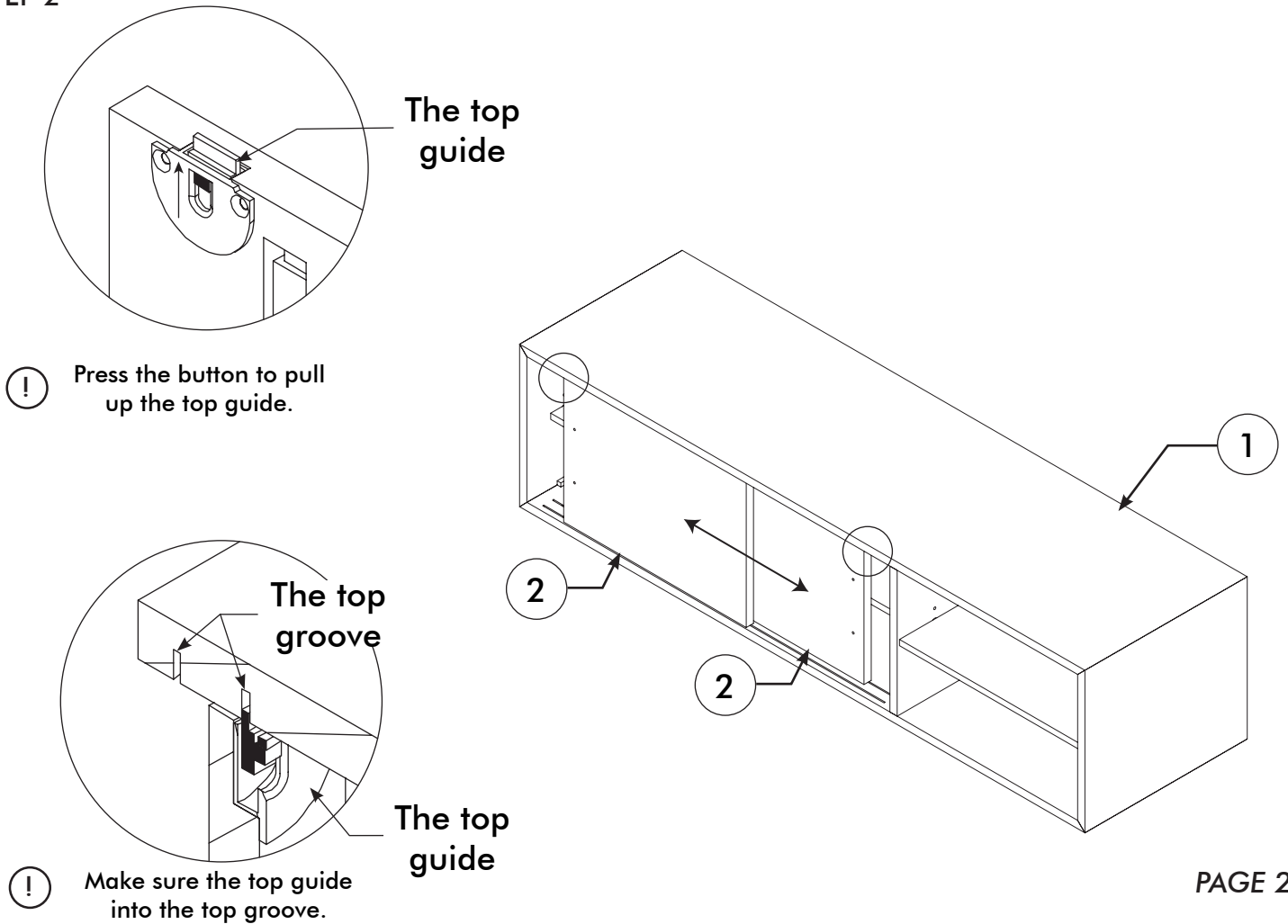


NOTICE: DO NOT use the power tools for assembly.
 This can cause the bolts to be over tightened.
DO NOT over tighten hardware, damage may occur.

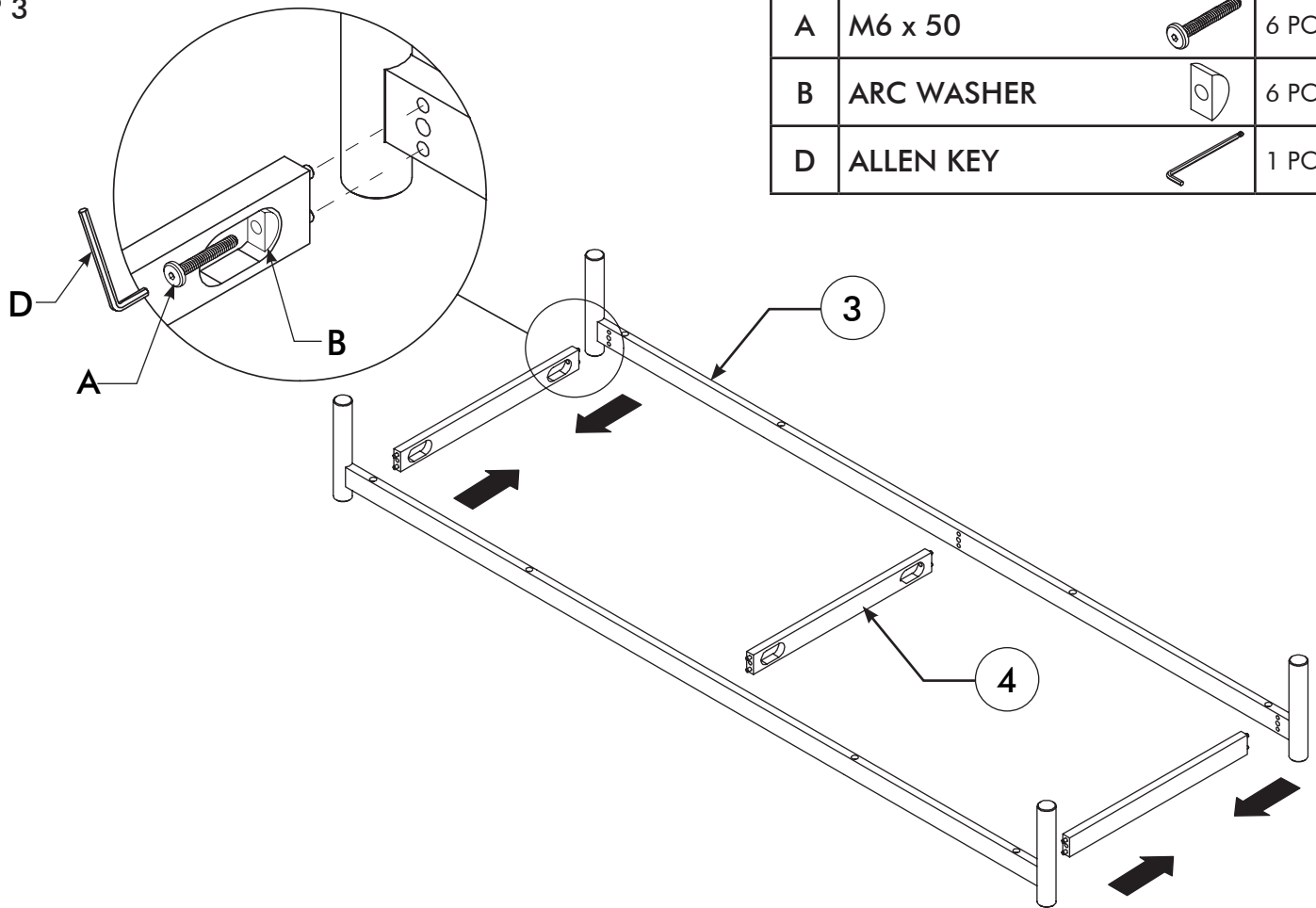
STEP 1 MOVE THE SLIDING DOOR INTO THE CABINET WITH AN INCLINED ANGLE






STEP 2



STEP 3

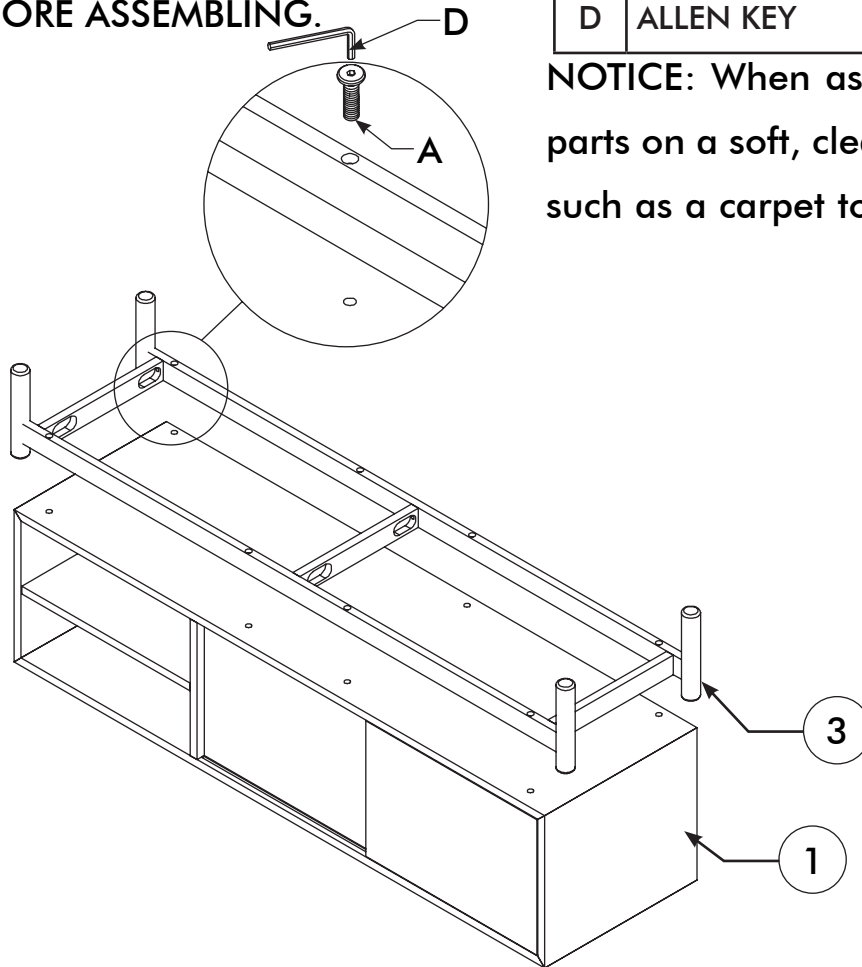




A	M6 x 50		6 PCS
B	ARC WASHER		6 PCS
D	ALLEN KEY		1 PC

NOTICE: When assembling, place all parts on a soft, clean, and flat surface such as a carpet to prevent scratches.

STEP 4

LAY THE TV STAND TOP DOWN ON THE GROUND BEFORE ASSEMBLING.

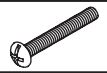


A	M6 x 50		8 PCS
D	ALLEN KEY		1 PC

NOTICE: When assembling, place all parts on a soft, clean, and flat surface such as a carpet to prevent scratches.

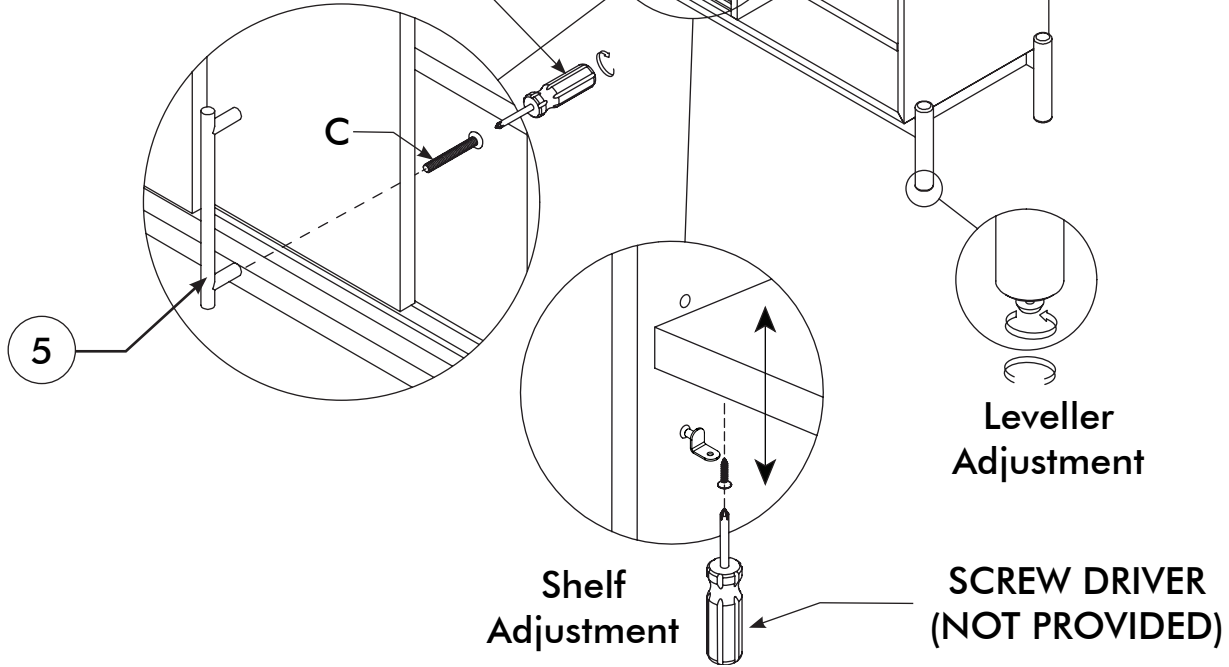
STEP 5

C M4 x 30

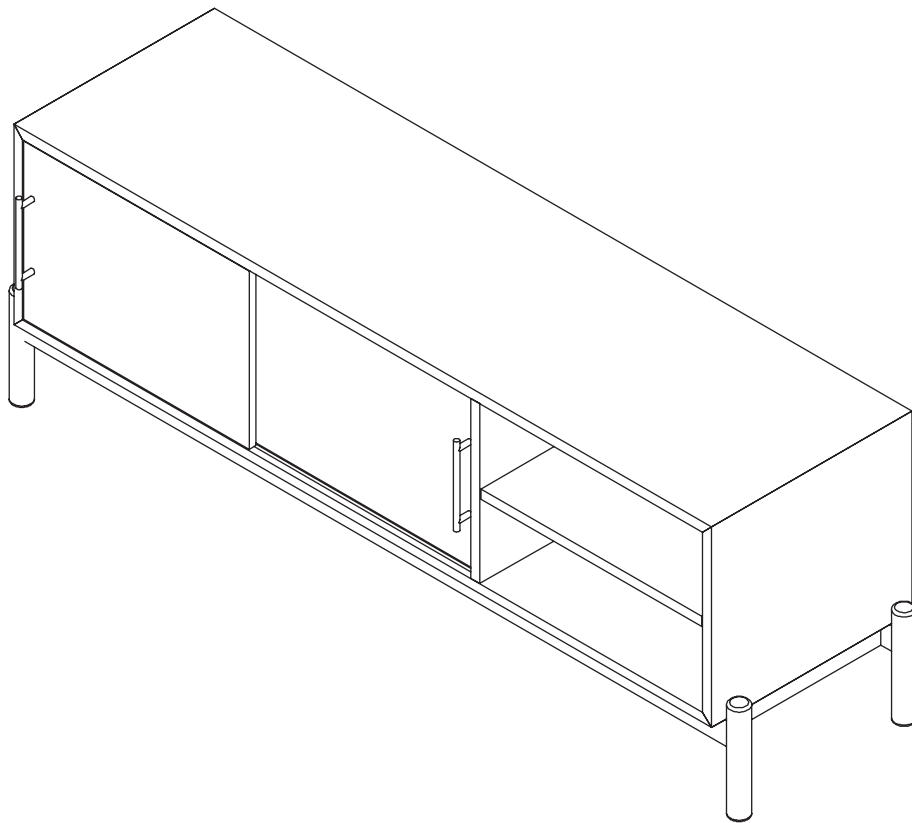


4 PCS

**SCREW DRIVER
(NOT PROVIDED)**



FINISH



Max. weight of the TV 88.6lbs.

Max. weight capacity for all the other support surfaces 30lbs.

WARNING

Death or serious injury may occur when children climb on audio and/or video equipment. A remote control or toys placed on the furnishing may encourage a child to climb on the furnishing and as a result the furnishing may tip over on to the child".

Relocating audio and/or video equipment to furniture not specifically designed to support audio and/or video equipment may result in death or serious injury due to furnishing collapsing or over turning onto a child".

Risk of death or serious injury. This surface must be paced against a fixed in place wall at least as tall as the television.

For use with televisions weighing 88.6lbs (40.2kg) or less. Use with heavier televisions may result in instability causing tip over resulting in death or serious injury.

All other support shelves should not be loaded more than 30lbs.

DO NOT EXCEED RECOMMENDED LOAD. Use with products heavier than maximum size and weights indicated may result instability causing possible injury.

Do not allow children under 10 years to move unit.

