

DINING TABLE

Assembly Instructions

Model : 6389C



Dear Customers

Thank you for your purchase. Please read our assembly instructions carefully before assembling Product, which will help you to assemble this product quickly and correctly. For more precautions, please refer to the manual. If you have any questions, please contact us in time.

Warning

- This product is not intended for children to climb. Please keep your children from climbing this product.
- Do not place the product near the fire or heat sources! Caution Fire Hazard!
- Do not use corrosive cleaners for cleaning!

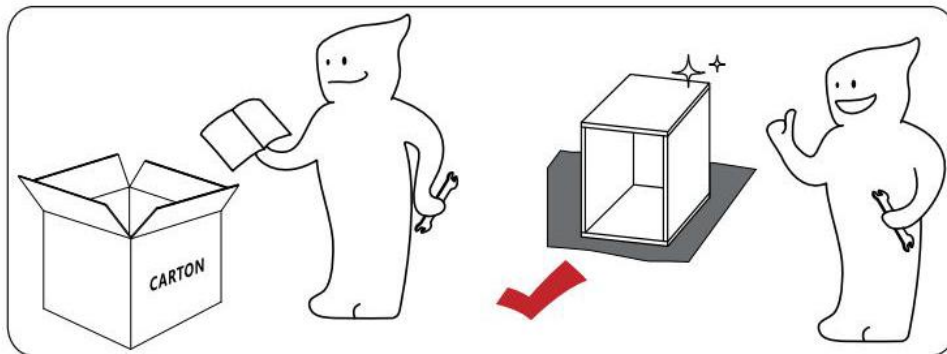
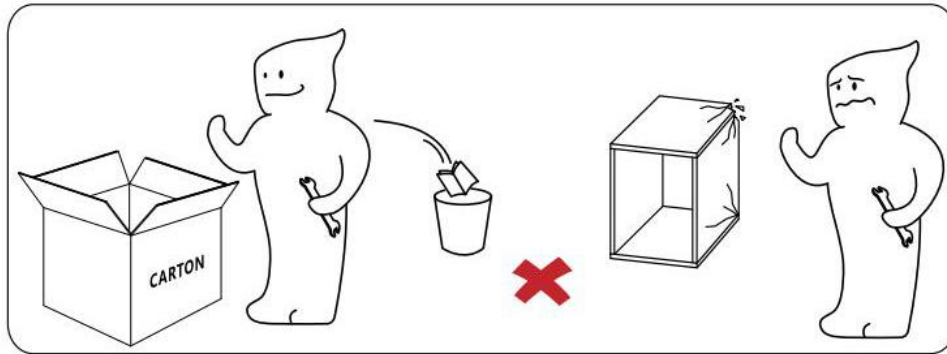


Note

- Please check the number and condition of the parts according to the parts list. If any parts are damaged or missing, please contact us immediately.
- Be careful of your hands when setting up! We recommend wearing protective gloves for assembly.
- We recommend checking the tightness of all connections between parts every six months.
- The assembly will be much easier and interesting if you have a good partner to help you with!

The warning, cautions, and instruction listed in this manual may not cover all possible situations that may arise when using the product. Please contact us via e-mail sales-amz@hotmail.com if you need further information or help.

Please follow the instruction manuals and use a pad to protect the product during your assembly.



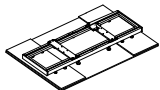




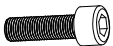

<p>Ⓐ X 1</p>	<p>Ⓑ X 1</p>	<p>Ⓒ X 2 Left foot</p>	<p>Ⓓ X 2 Right foot</p>
<p>Ⓔ X 4</p> <p>Ø20*Ø11*1.5</p>	<p>Ⓕ X 4</p> <p>Ø16*Ø11*2.5</p>	<p>Ⓖ X 4</p> <p>M10*30</p>	<p>Ⓗ X 1</p> <p>(S8)</p>
<p>Ⓘ X 1</p>	<p>Ⓙ X 8</p> <p>Ø17*Ø9*1.5</p>	<p>Ⓚ X 8</p> <p>M8*25</p>	<p>Ⓛ X 8</p> <p>Ø14*Ø9*2.5</p>
<p>Ⓜ X 1</p> <p>(S6)</p>	<p>Ⓝ X 8</p> <p>M6*16</p>	<p>Ⓞ X 8</p> <p>Ø16*Ø7*1.5</p>	<p>Ⓟ X 1</p> <p>(S4)</p>
<p>Ⓡ X 4</p> <p>Ø27*7-M8*20</p>			

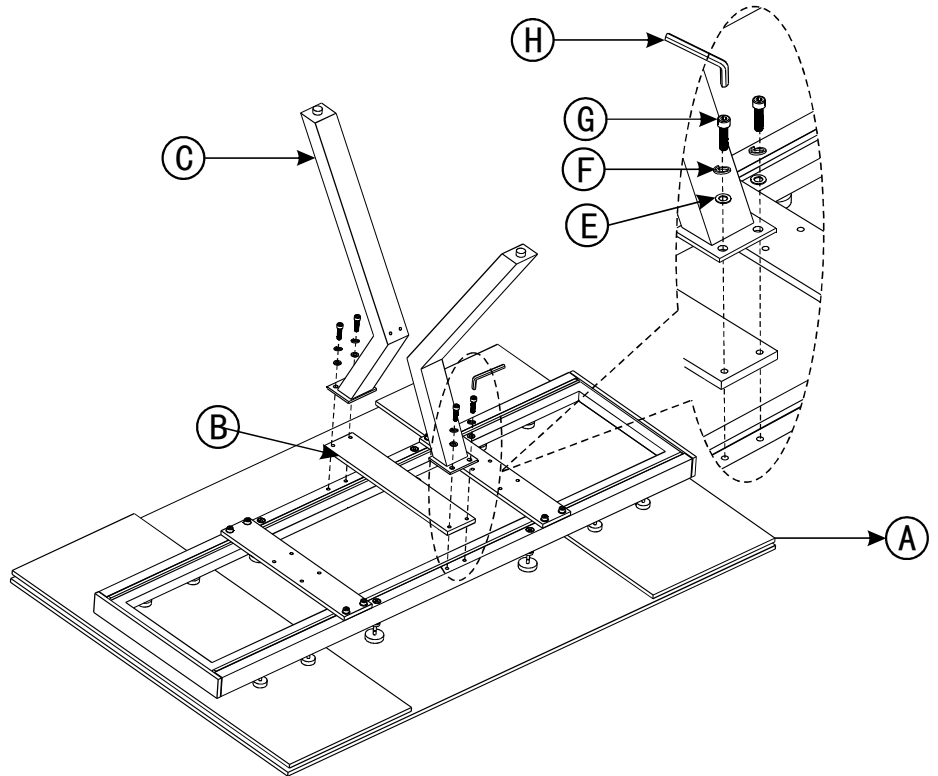


EN

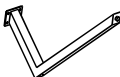


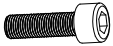

Note: During the assembly, please first half-tighten all the screws into the holes. After all the screws are set, fully tighten them.

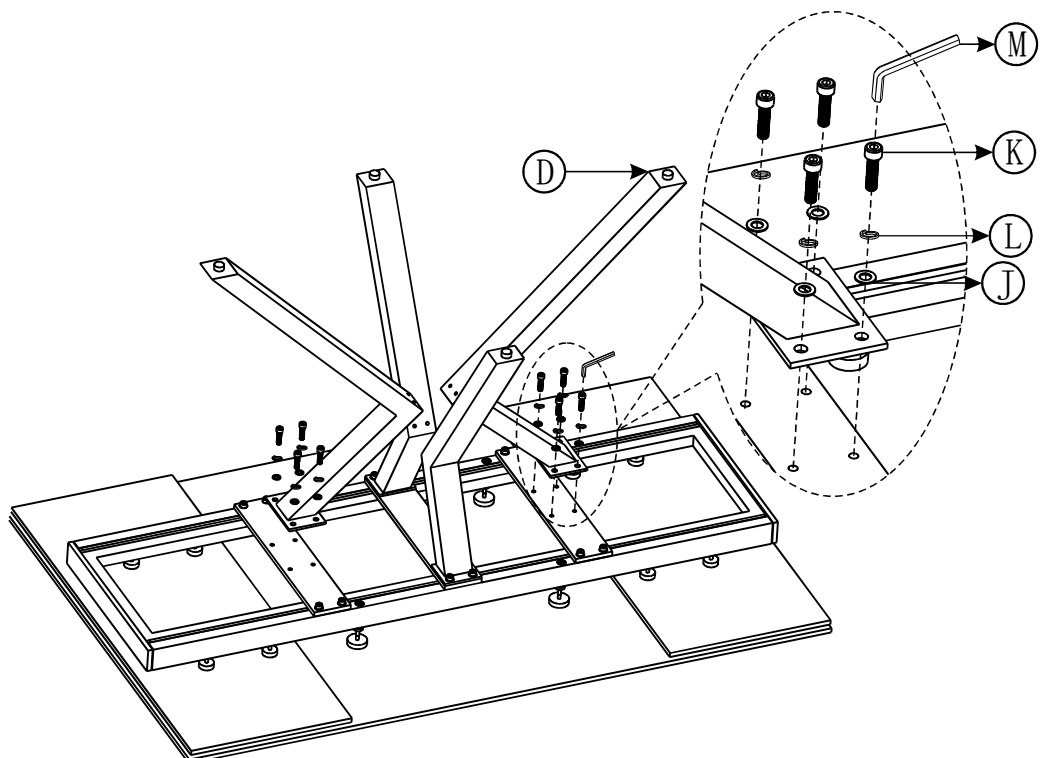
1

(A)		X 1
(B)		X 1
(C)		X 2
(E)		X 4
(F)		X 4
(G)		X 4
(H)		X 1



2

(D)		X 2
(J)		X 8
(L)		X 8
(K)		X 8
(M)		X 1



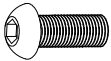



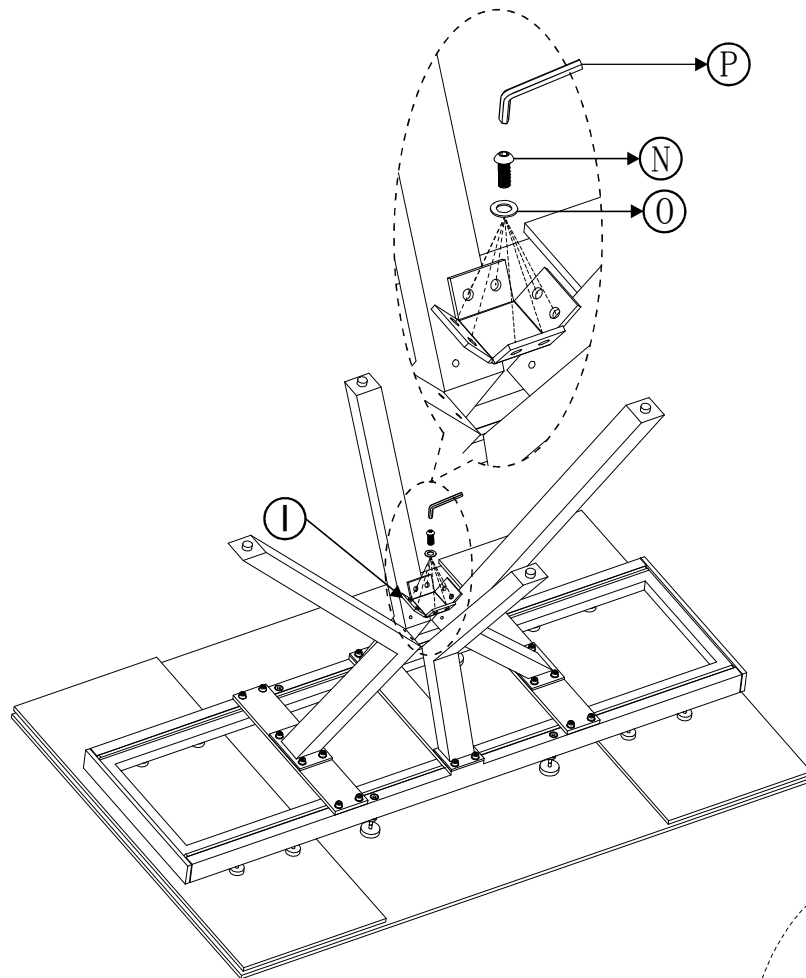


EN

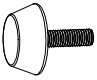
Note: During the assembly, please first half-tighten all the screws into the holes. After all the screws are set, fully tighten them.

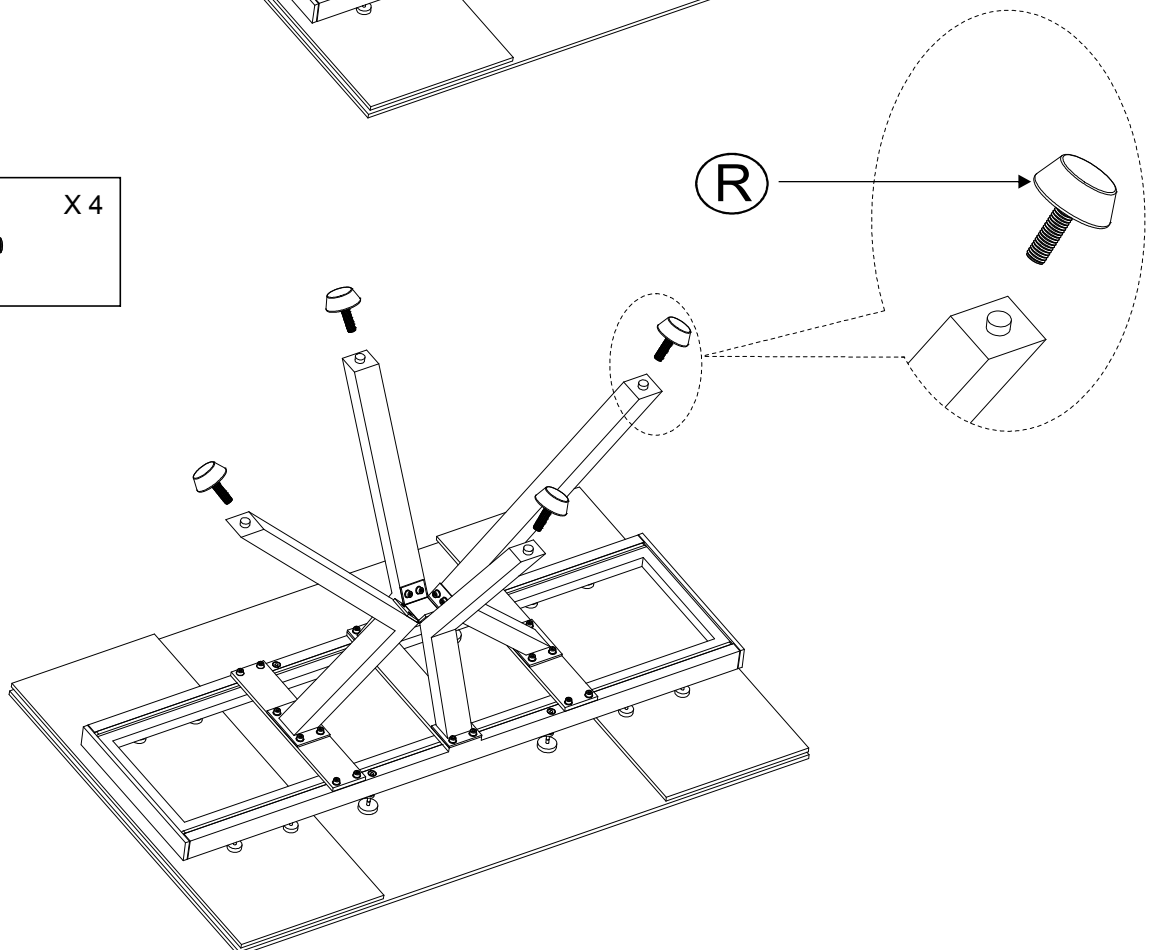
3

Ⓛ		X 1
ⓐ		X 8
Ⓝ		X 8
Ⓟ		X 1

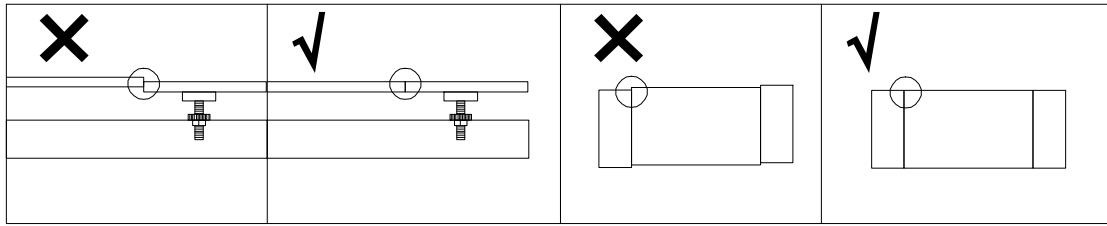


4

Ⓡ		X 4
---	---	-----



IF THE TABLE TOP HALVES ARE NOT LEVEL AGAINST EACH OTHER, ADJUST AS FOLLOWS.

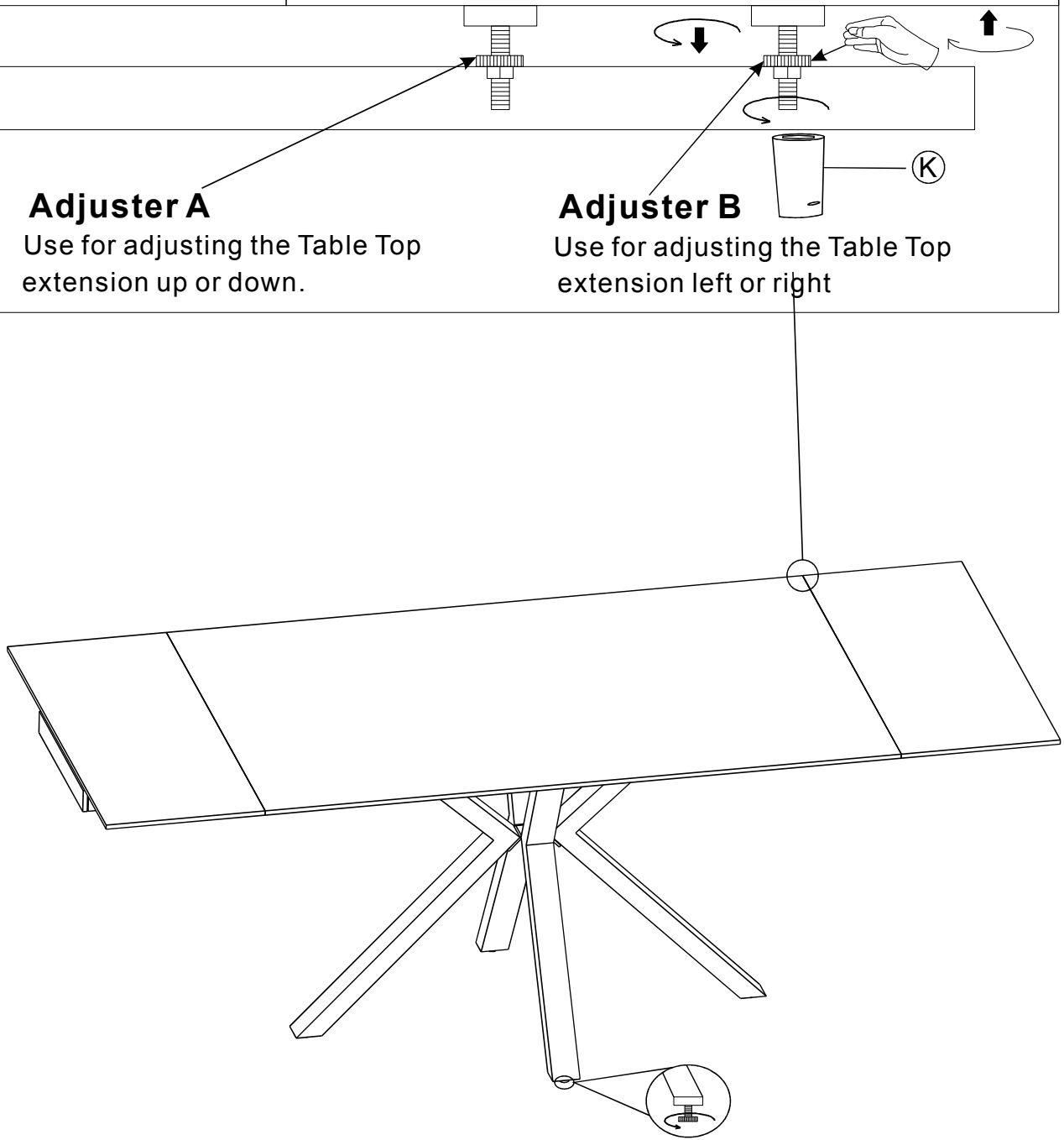


Adjuster A

Use for adjusting the Table Top extension up or down.

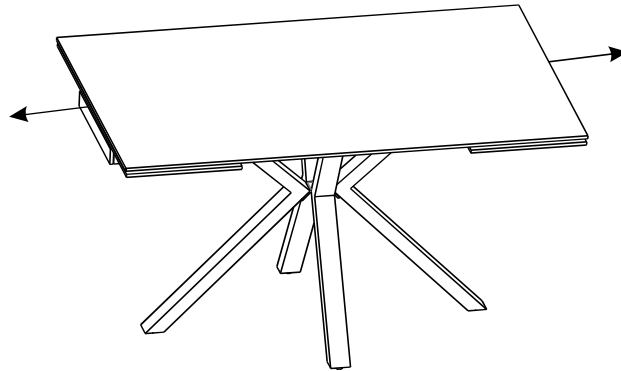
Adjuster B

Use for adjusting the Table Top extension left or right



HOW TO USE THE DINING TABLE

STEP 1:



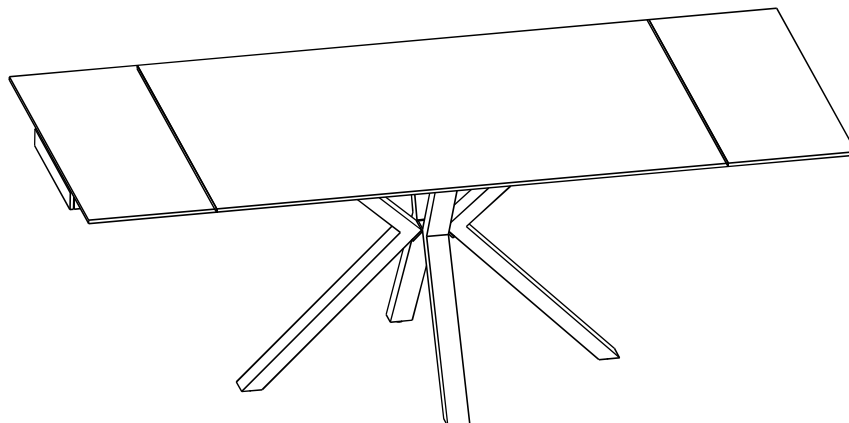
PUSH TO VERTEX IN OPPOSITE DIRECTION

STEP 2:



PUSH BOTH SIDES TO THE MIDDLE


STEP 3:




Thank you for purchasing a KithKasa product!

At KithKasa, we are dedicated to bringing you the best online shopping experience and making your life comfortable. We pride ourselves on an integrated supply chain team that works meticulously to deliver you products and service with greatest value. It is always our belief that how customers view our business and service ultimately defines our brand.

So, how did we do? Please let us know by making an online remark about it.

 **Good job.** Would you like to share your experience to assist others with their shopping decisions?

 Not good. If you have any question, please contact us.

Please contact us via e-mail **sales-amz@hotmail.com** if you need further information or help.