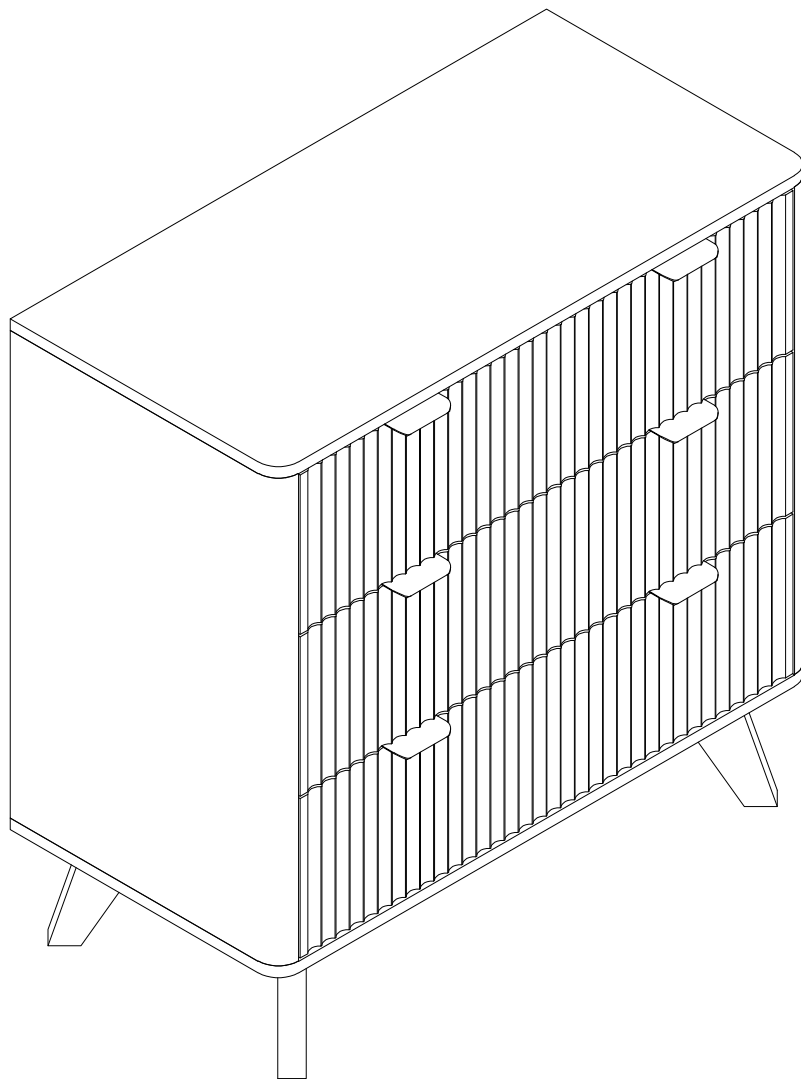
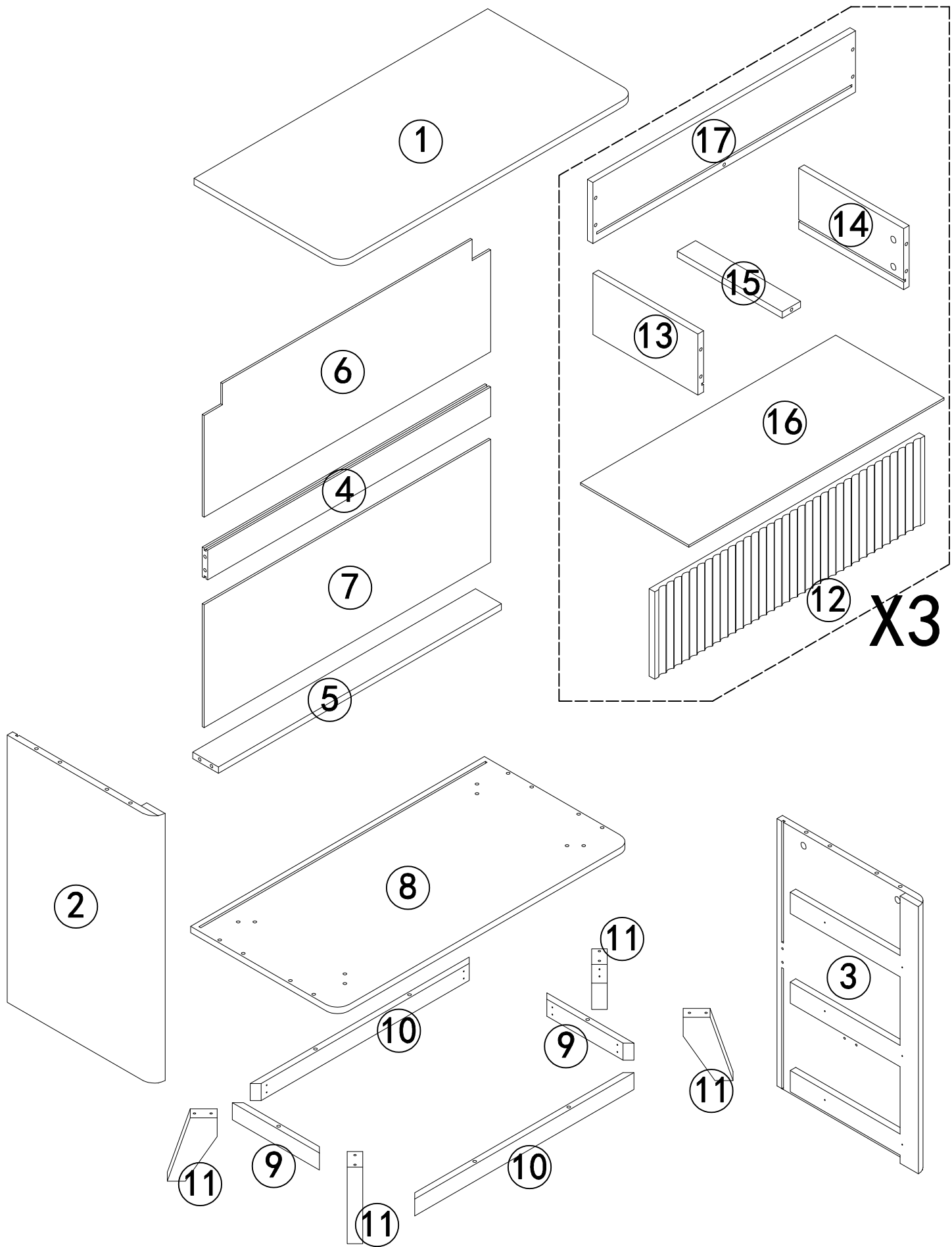
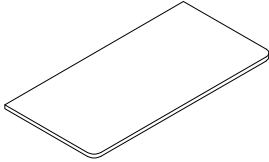
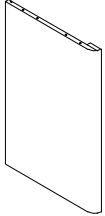
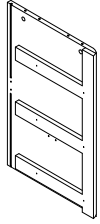

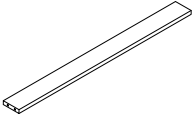
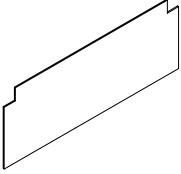
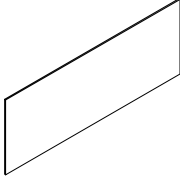
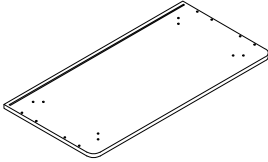
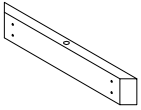
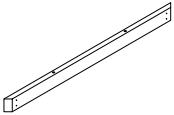

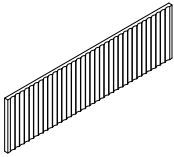
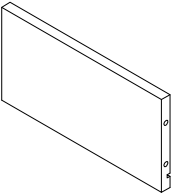
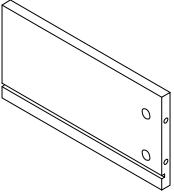
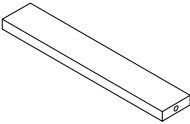
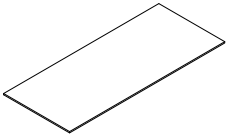
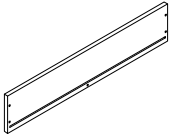


INSTRUCTION MANUAL



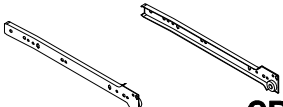
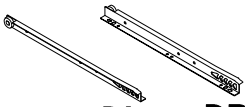


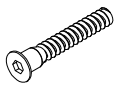
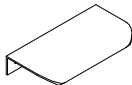
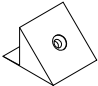

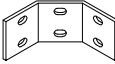


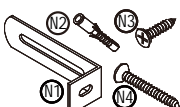
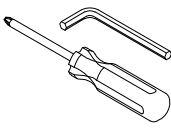




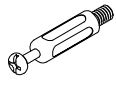
Part list

<p>①</p>  <p>X1</p>	<p>②</p>  <p>X1</p>	<p>③</p>  <p>X1</p>	<p>④</p>  <p>X1</p>
<p>⑤</p>  <p>X1</p>	<p>⑥</p>  <p>X1</p>	<p>⑦</p>  <p>X1</p>	<p>⑧</p>  <p>X1</p>
<p>⑨</p>  <p>X2</p>	<p>⑩</p>  <p>X2</p>	<p>⑪</p>  <p>X4</p>	<p>⑫</p>  <p>X3</p>
<p>⑬</p>  <p>X3</p>	<p>⑭</p>  <p>X3</p>	<p>⑮</p>  <p>X3</p>	<p>⑯</p>  <p>X3</p>
<p>⑰</p>  <p>X3</p>			

Hardware list

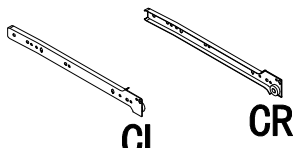
<p>(A)</p>  <p>X27</p>	<p>(B)</p>  <p>X8</p>	<p>(C)</p>  <p>CL CR X3</p>	<p>(D)</p>  <p>DL DR X3</p>
<p>(E)</p>  <p>ST3.5*12 X44</p>	<p>(F)</p>  <p>X27</p>	<p>(G)</p>  <p>ST6.3*40 X24</p>	<p>(H)</p>  <p>X6</p>
<p>(I)</p>  <p>X8</p>	<p>(J)</p>  <p>ST4*16 X24</p>	<p>(K)</p>  <p>X4</p>	<p>(L)</p>  <p>ST4*40 X3</p>
<p>(M)</p>  <p>M6*50 X6</p>	<p>(N)</p>  <p>X2</p>	<p>(O)</p>  <p>X1</p>	

(A)




X8

(C)

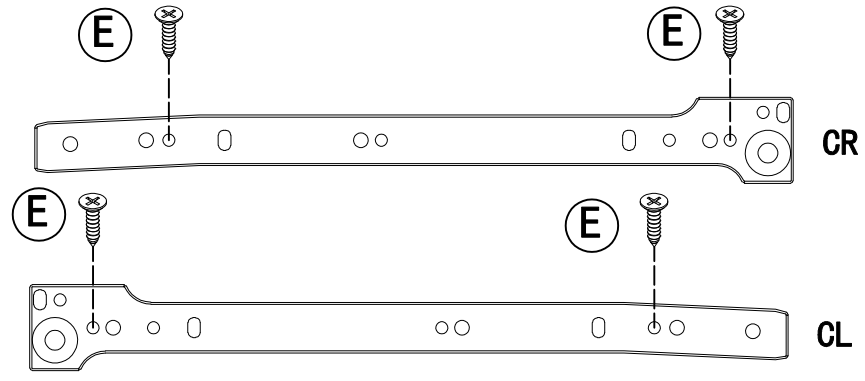
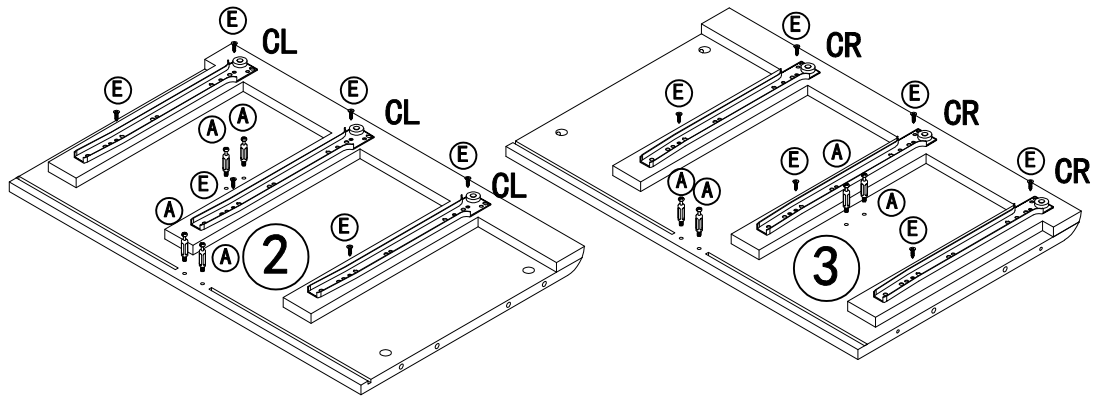


CL **CR**
X3

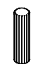
(E)



ST3.5*12
X12




(B)

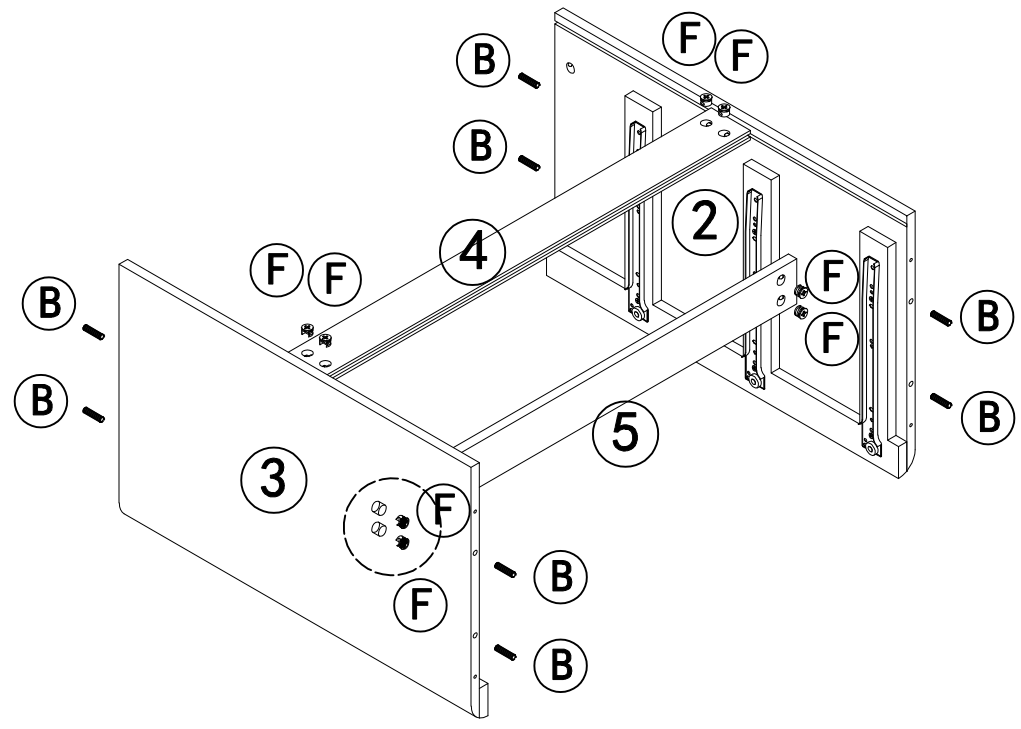


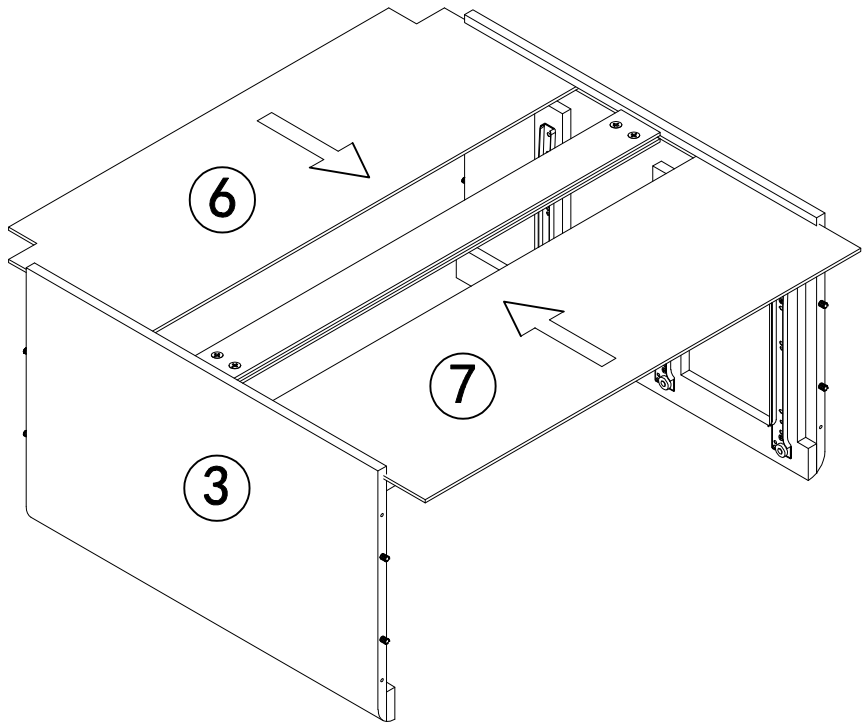
X8

(F)

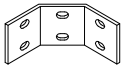


X8





(K)

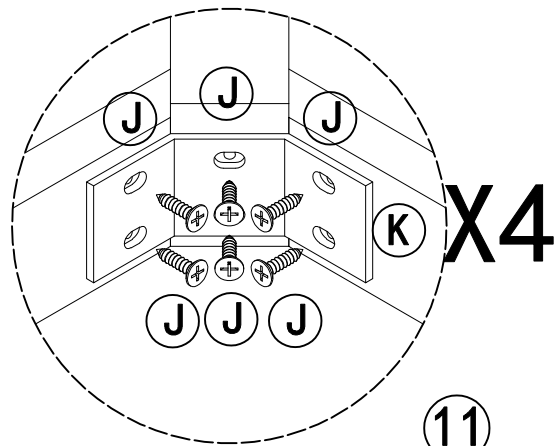


X4

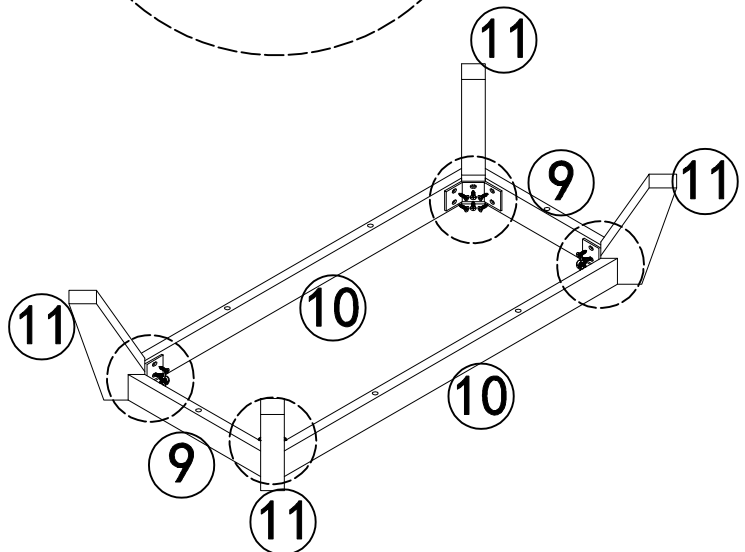
(J)



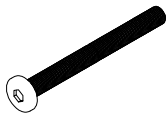
ST4*16
X24



X4

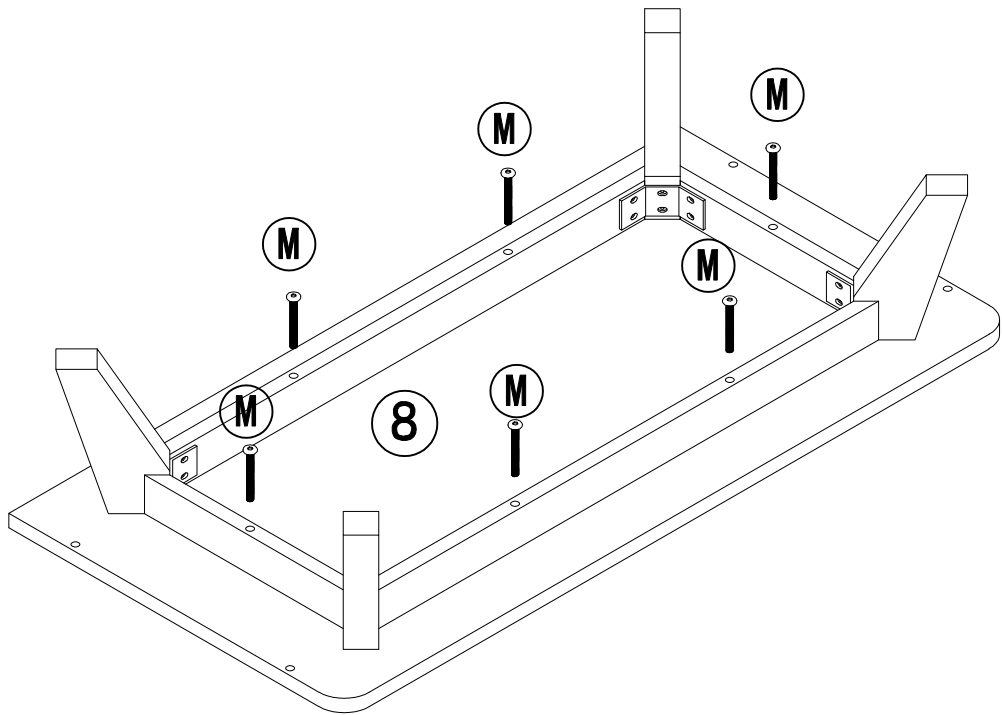


M



M6*50

X6

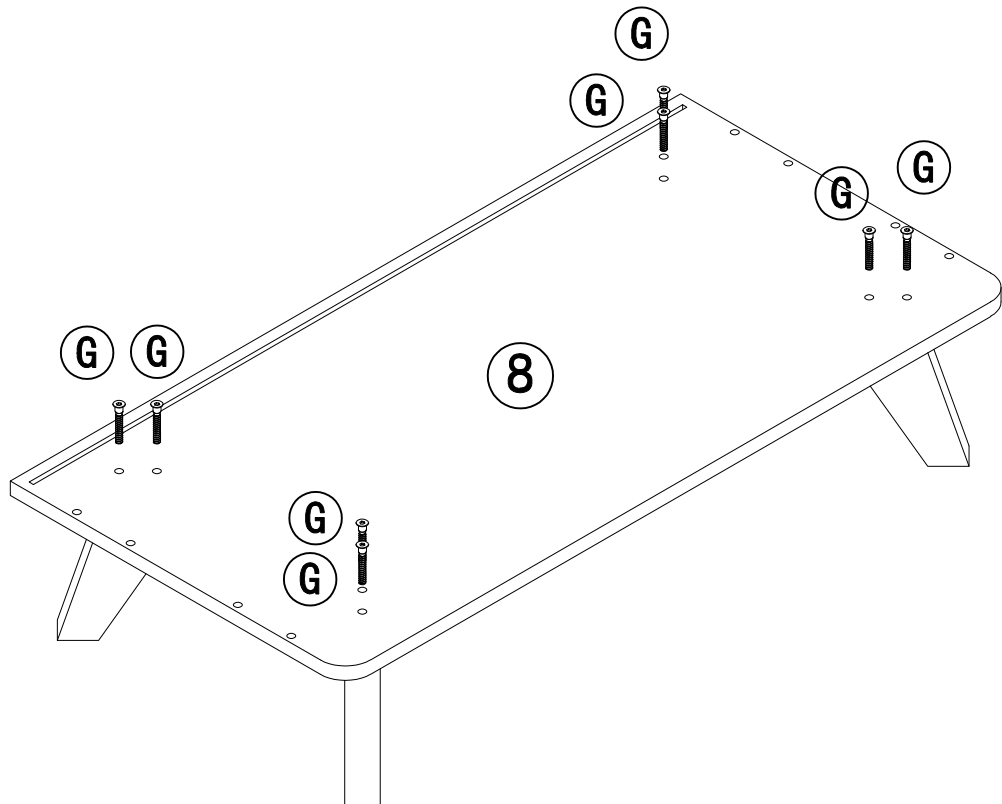


G

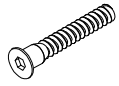


ST6. 3*40

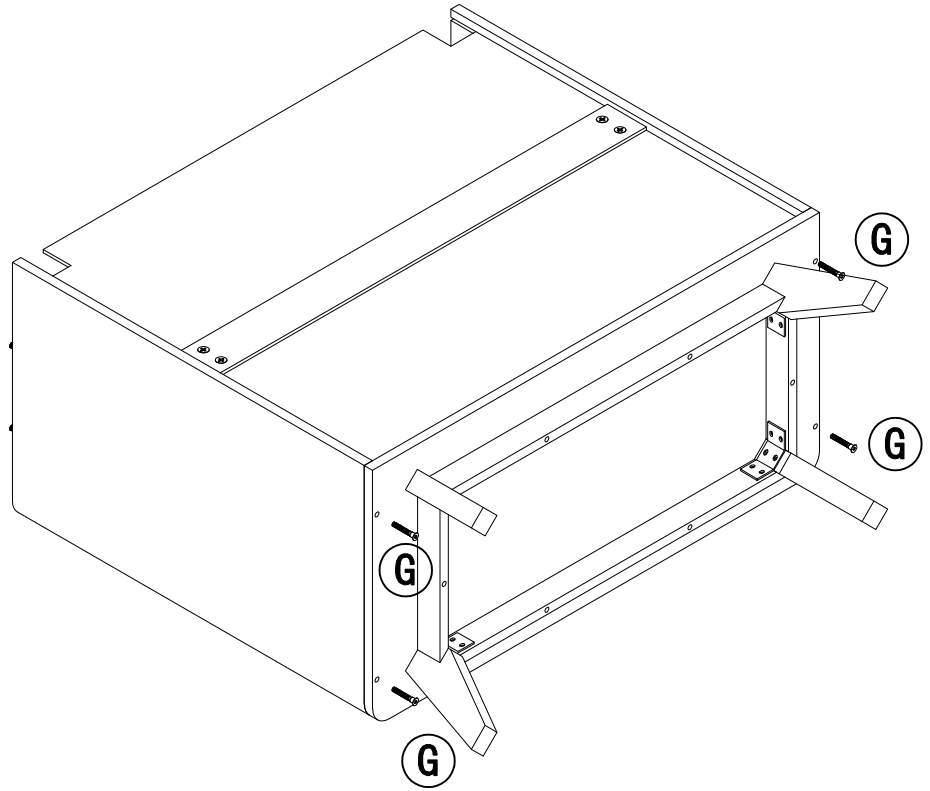
X8



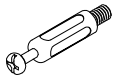
G



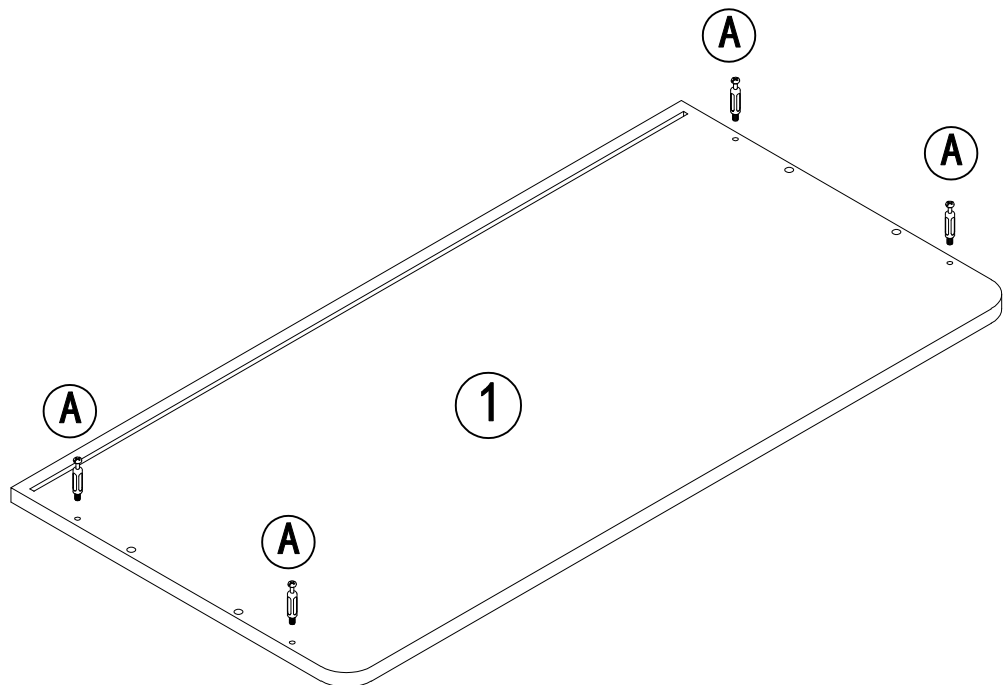
ST6. 3*40
X4



A



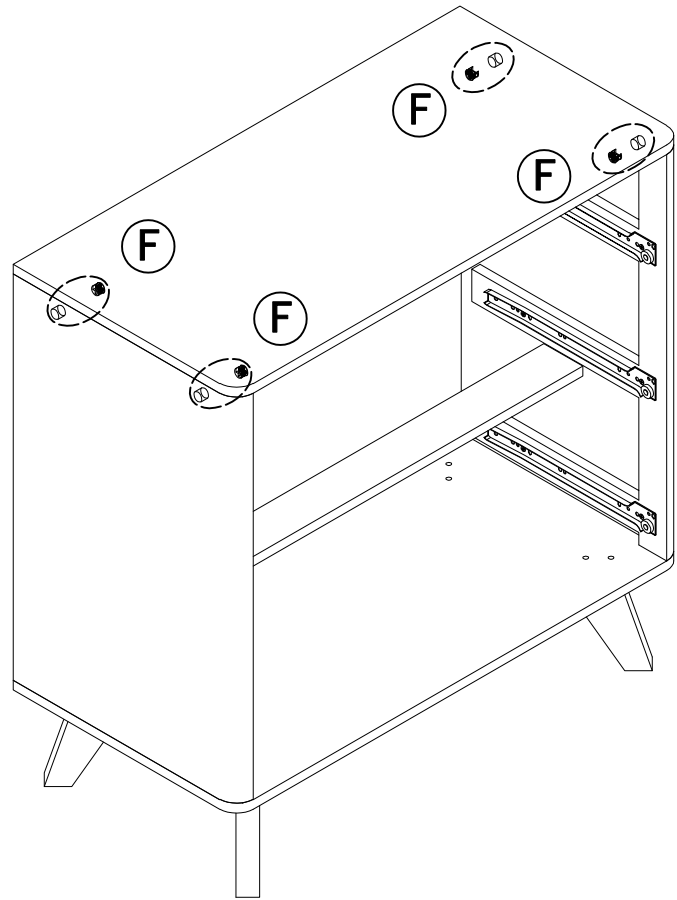
X4



F



X4



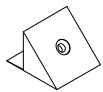
E



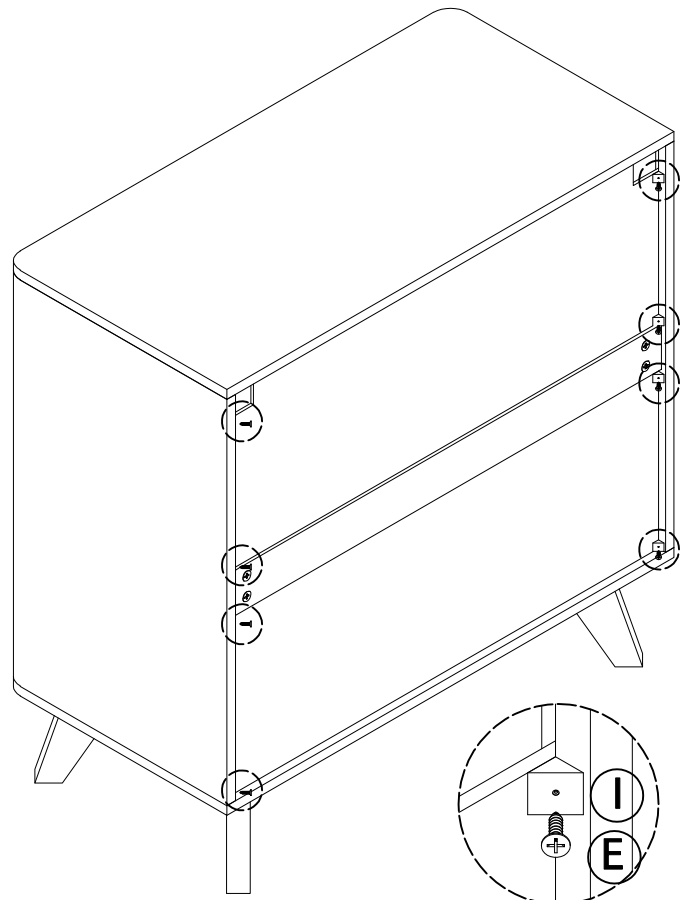
ST3.5*12

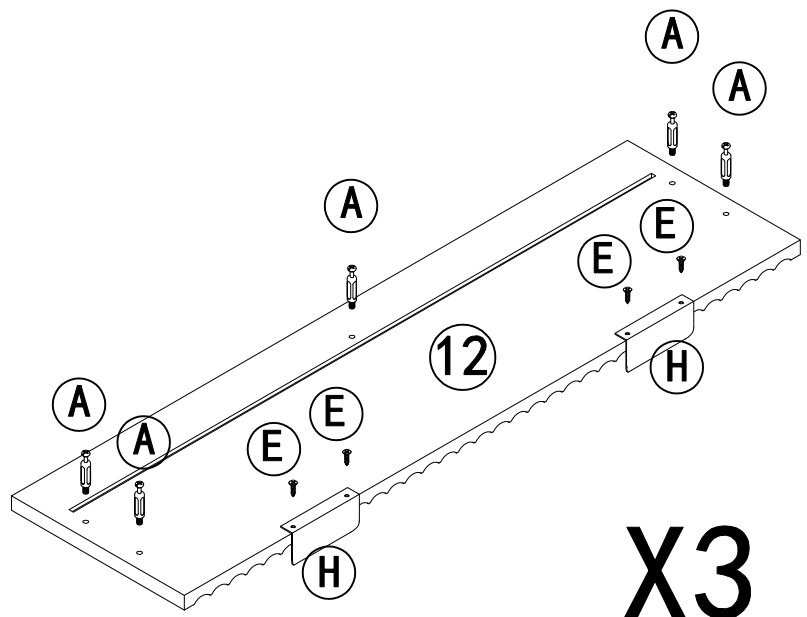
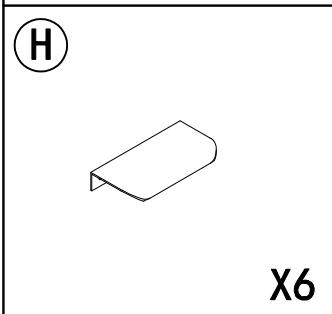
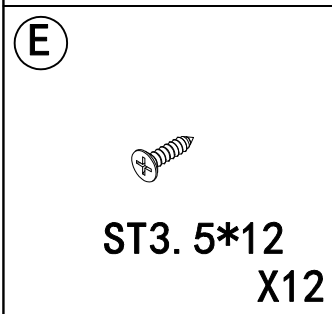
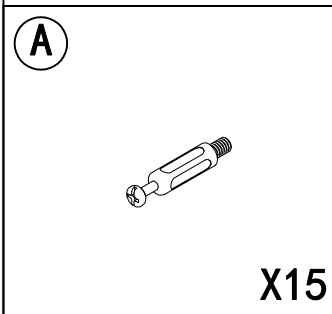
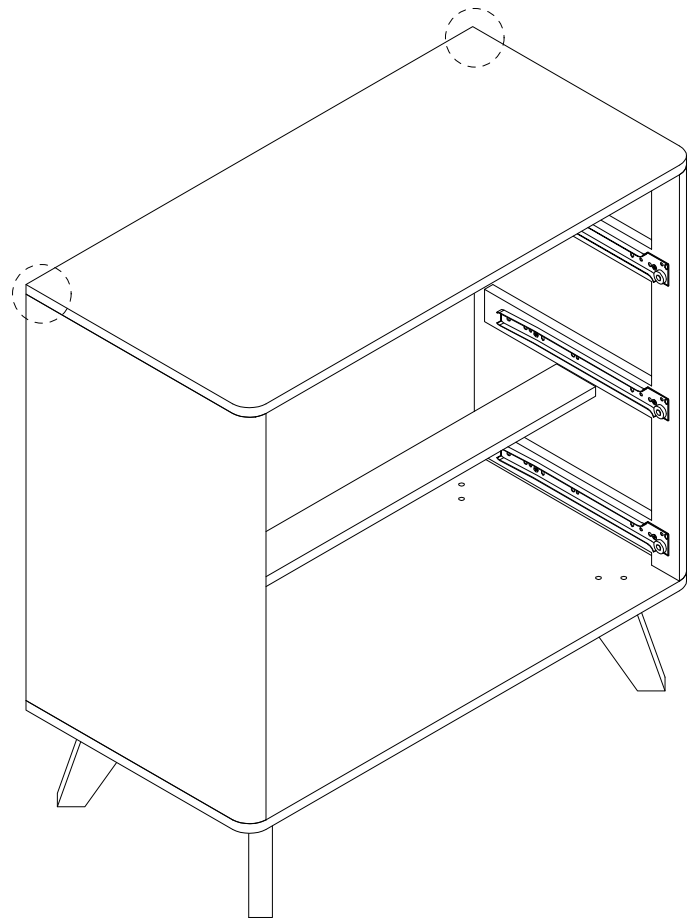
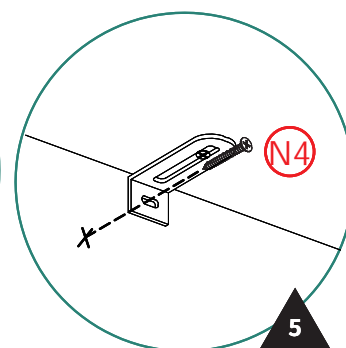
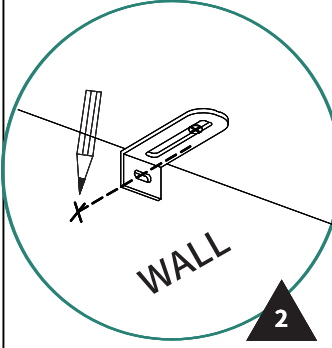
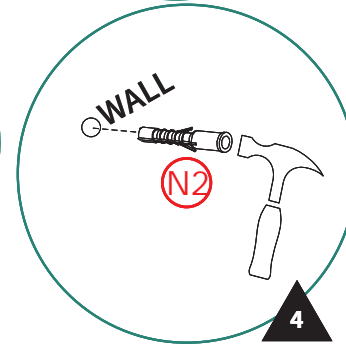
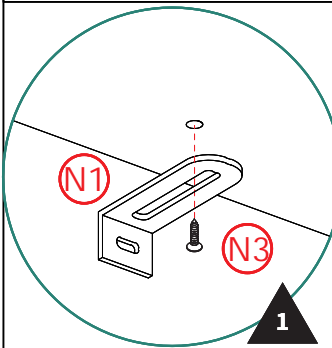
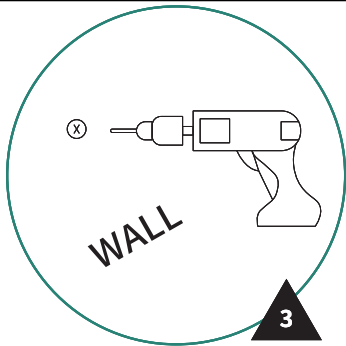
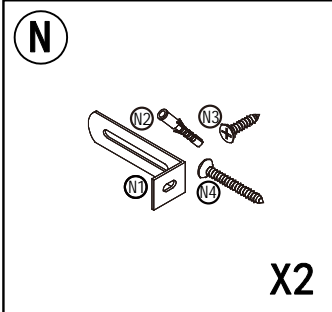
X8

I



X8

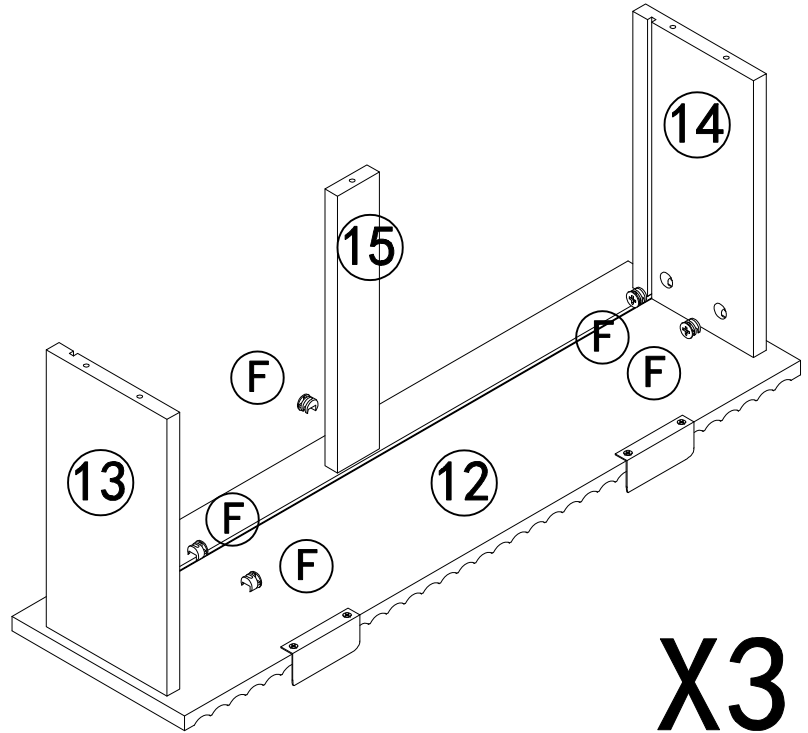




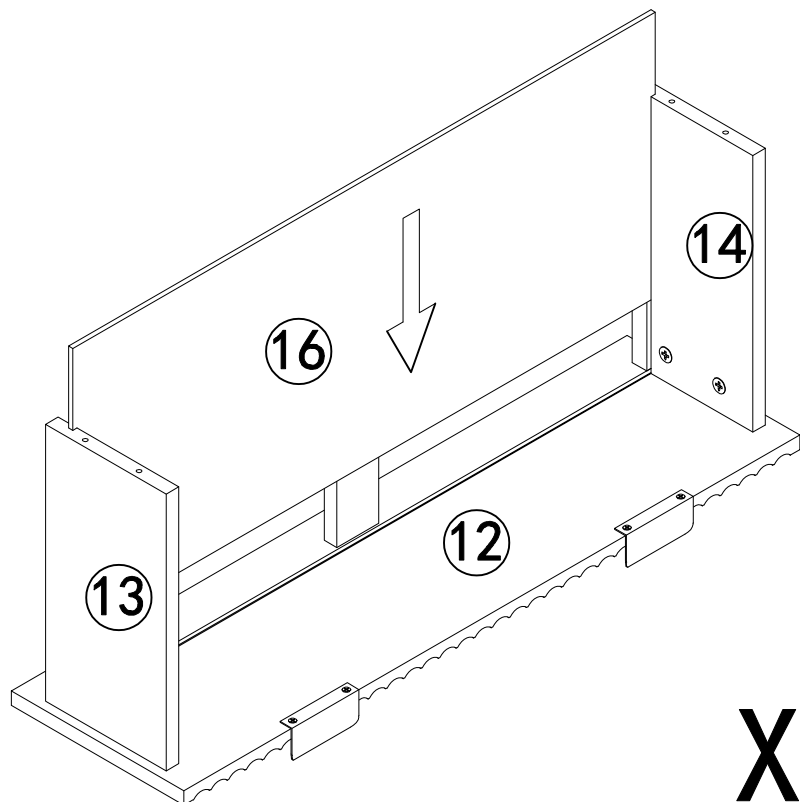
F



X15

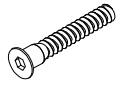


X3



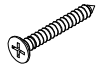
X3

G

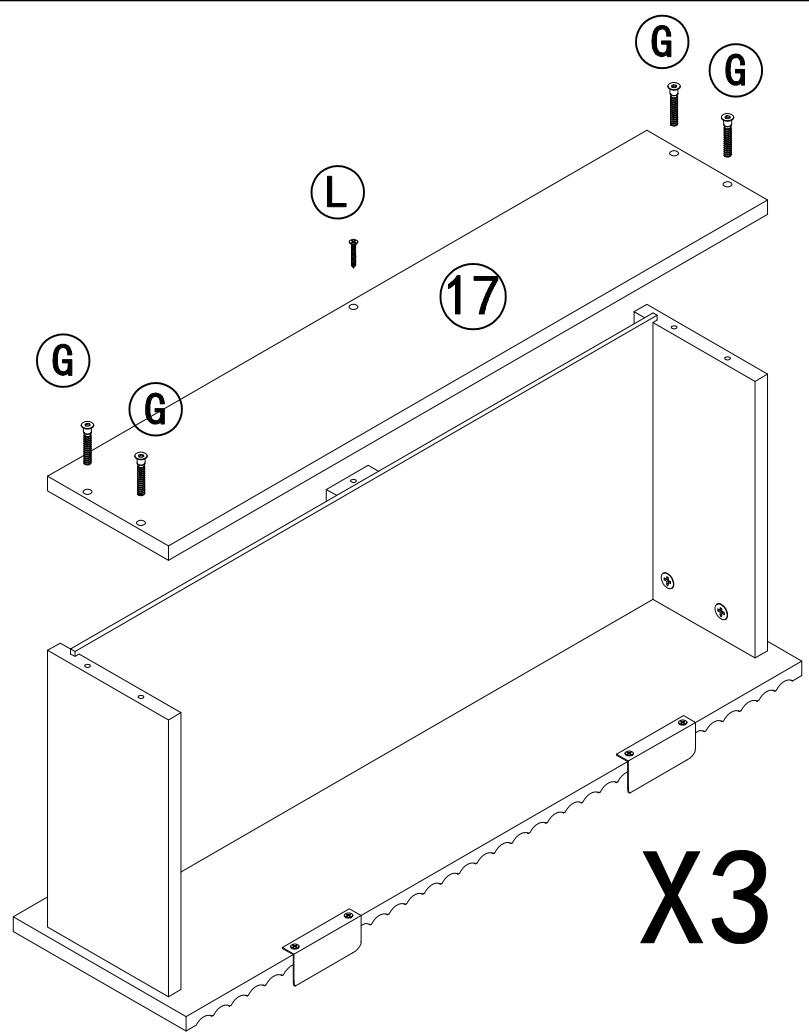


ST6. 3*40
X12

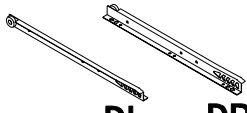
L



ST4*40
X3



D

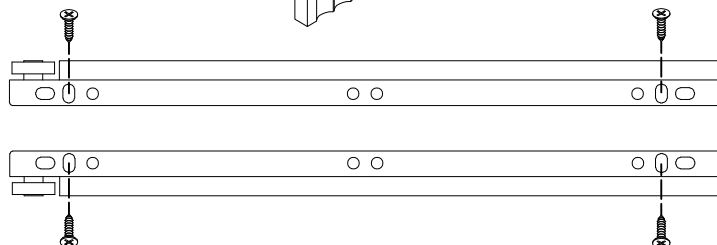
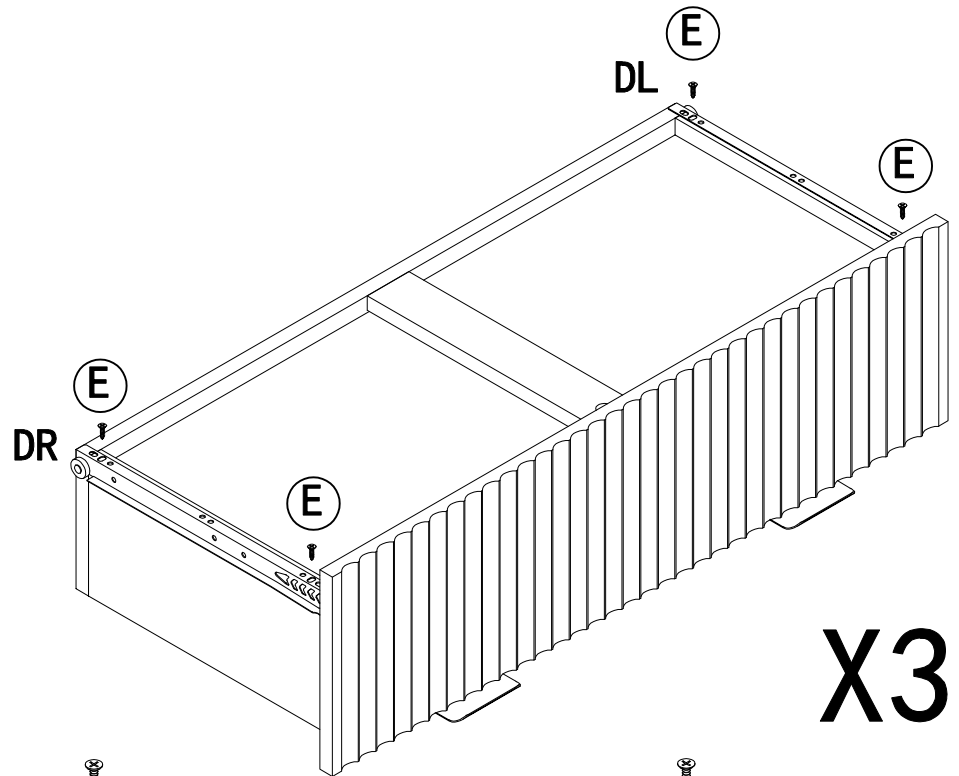


DL DR
X3

E

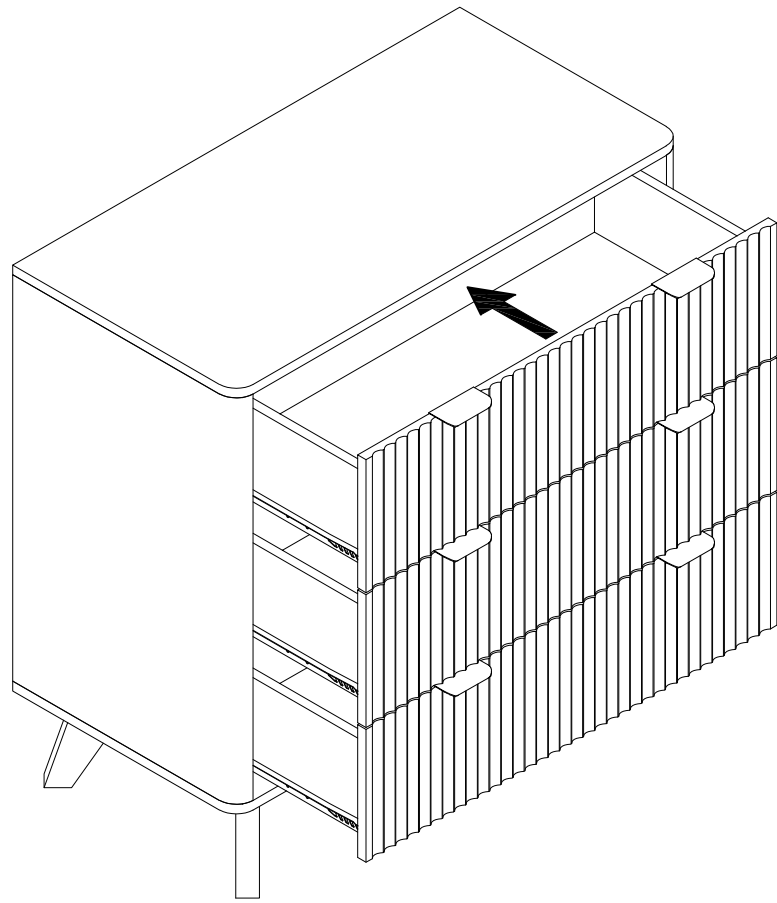


ST3. 5*12
X12



DL

DR



Trouble shooting:

Missing /Wrong / Broken parts and installation issues



Send email with your question, pic and order NO.



Respond within 24 hours



Issue resolved