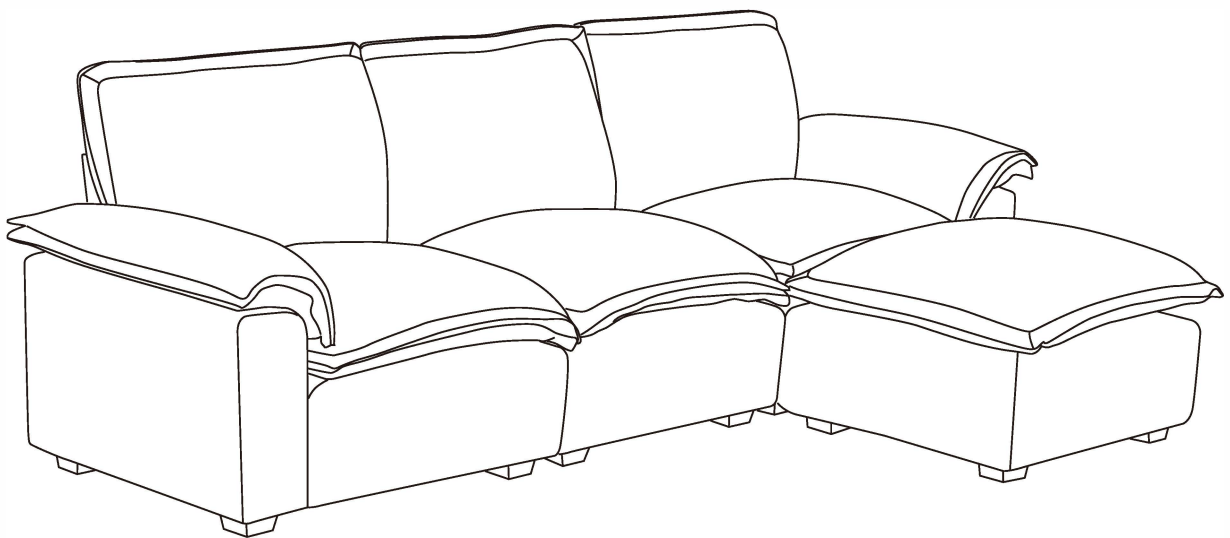


SOFA INSTALLATION INSTRUCTIONS



Thank you for choosing our products.
To ensure a smooth installation, please read these
instructions carefully and follow the steps provided
below.

IMPORTANT:RETAIN FOR FUTURE REFERENCE. READ CAREFULLY.

Instructions for use:

- *Place the sofa securely on a flat surface.
- *Keep away from open flames.
- *Do not overload the sofa.

Precautions before assembly:

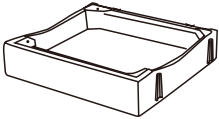
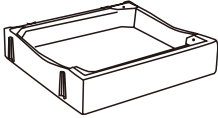
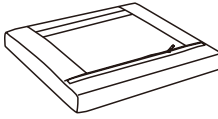
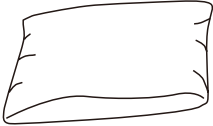
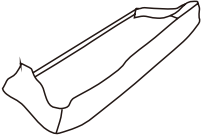

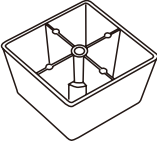
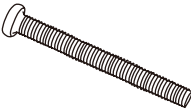
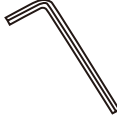
- *Prepare a clean and dry area for assembly.
- *Ensure the product is not damaged.
- *Verify that all parts are included.


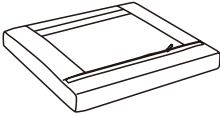


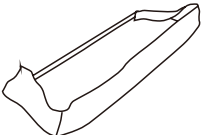
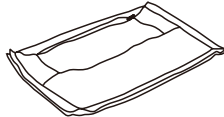

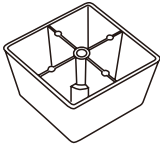
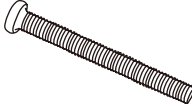

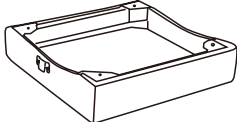
Maintenance:

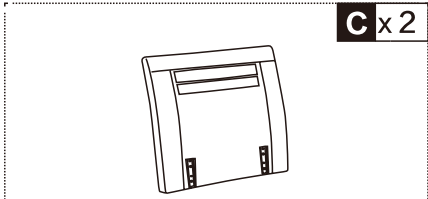
- *Clean with a soft cloth.
- *Regularly check the stability of the seating.

Storage conditions:

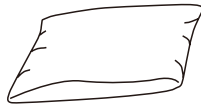
- *Store the fabric completely dry in a clean, dry place to prevent mold growth.

 <p>A x1 left</p>	 <p>B x1 right</p>	 <p>D x2</p>
 <p>F x2</p>	 <p>G x2</p>	 <p>I x2</p>
 <p>J x8</p>	 <p>K x8</p>	 <p>L x2</p>

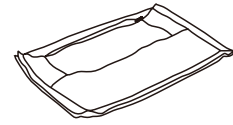
 <p>C x1</p>	 <p>D x1</p>	 <p>E x1</p>
 <p>F x1</p>	 <p>G x1</p>	 <p>H x1</p>
 <p>I x1</p>	 <p>J x4</p>	 <p>K x4</p>
 <p>L x1</p>	 <p>O x1</p>	



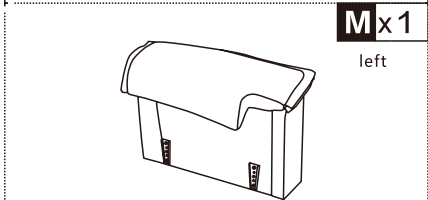
C x 2



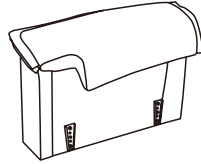
E x 2



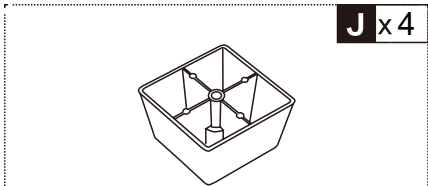
H x 2



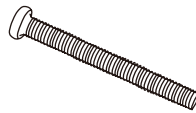
M x 1
left



N x 1
right



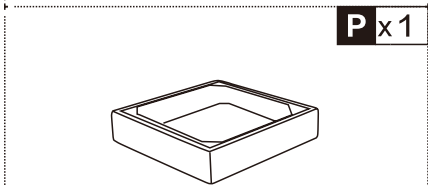
J x 4



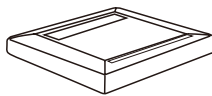
K x 4



L x 1



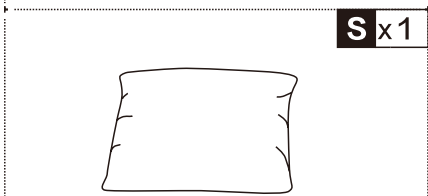
P x 1



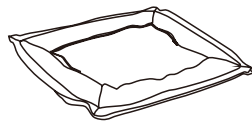
Q x 1



R x 1



S x 1



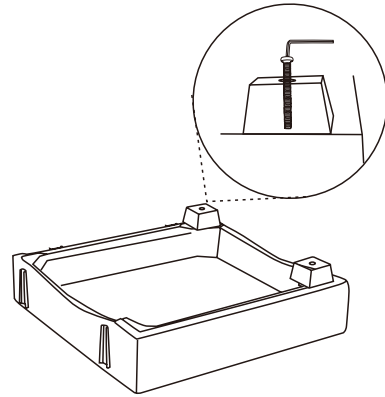
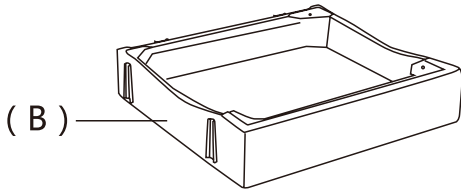
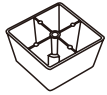
T x 1



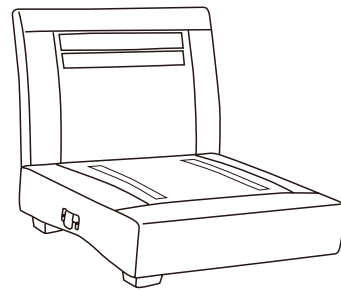
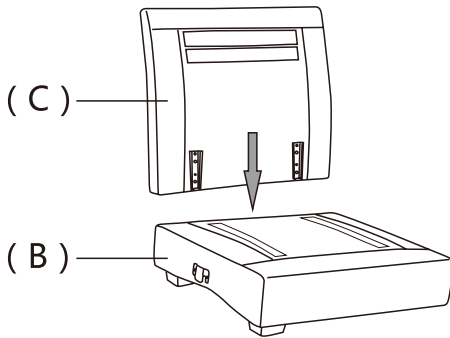
U x 2

01

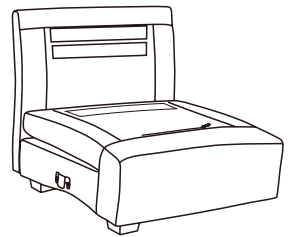
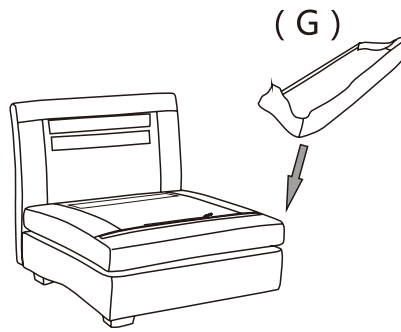
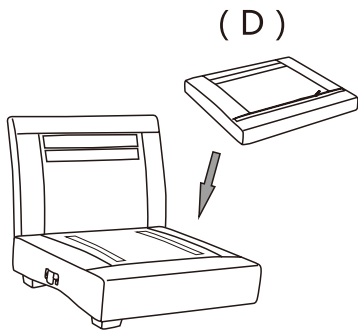
(J) *2 (K) *2 (L) *1



02

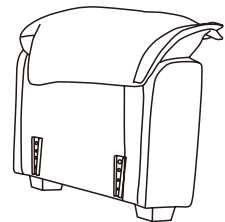
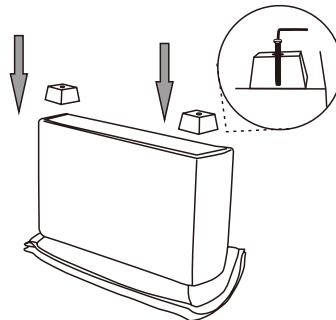
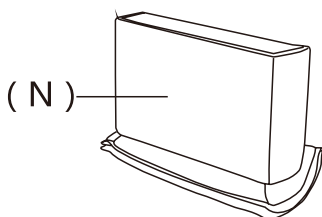


03

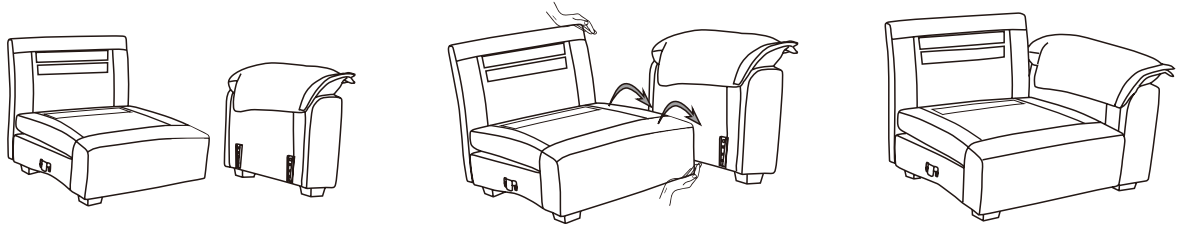


04

(J) *2 (K) *2 (L) *1



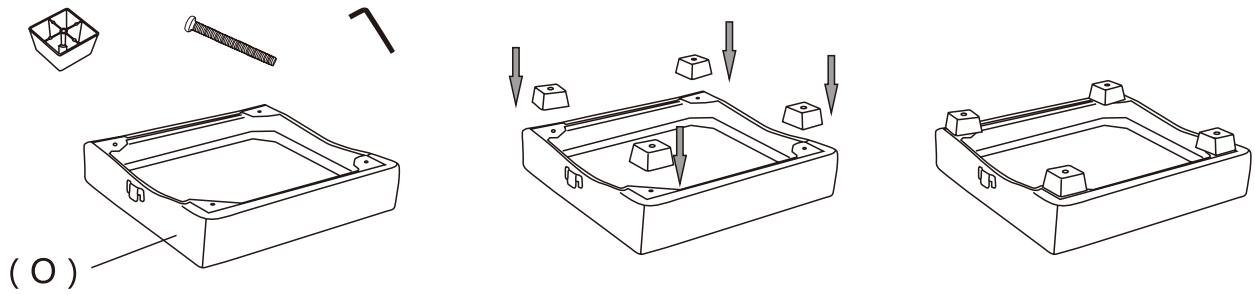
05



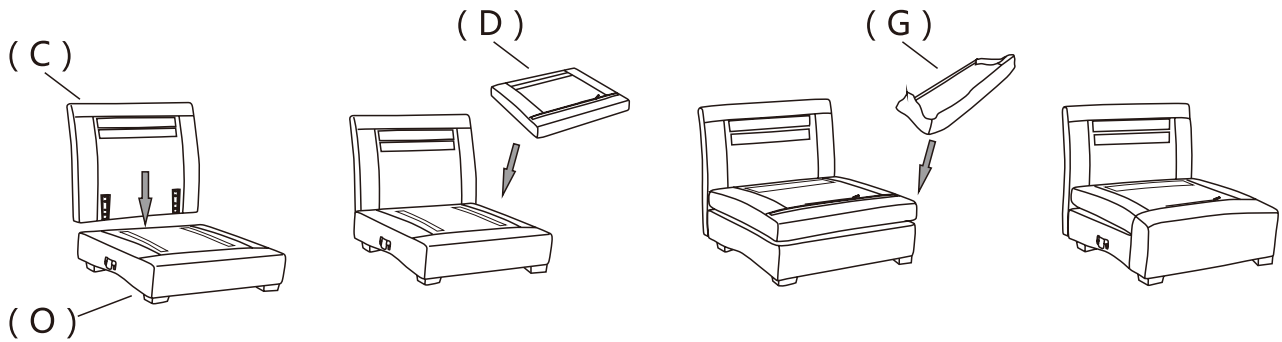
* Insert the seat frame insert into the armrest insert, from top to bottom.

06

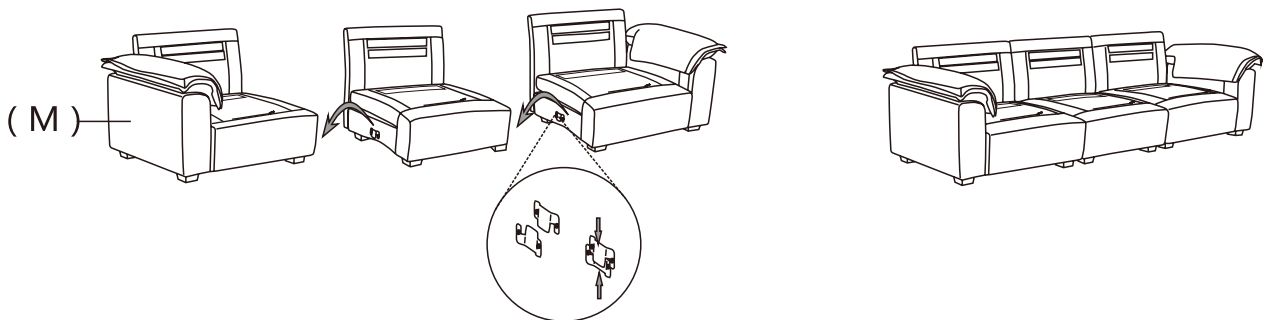
(J) *4 (K) *4 (L) *1



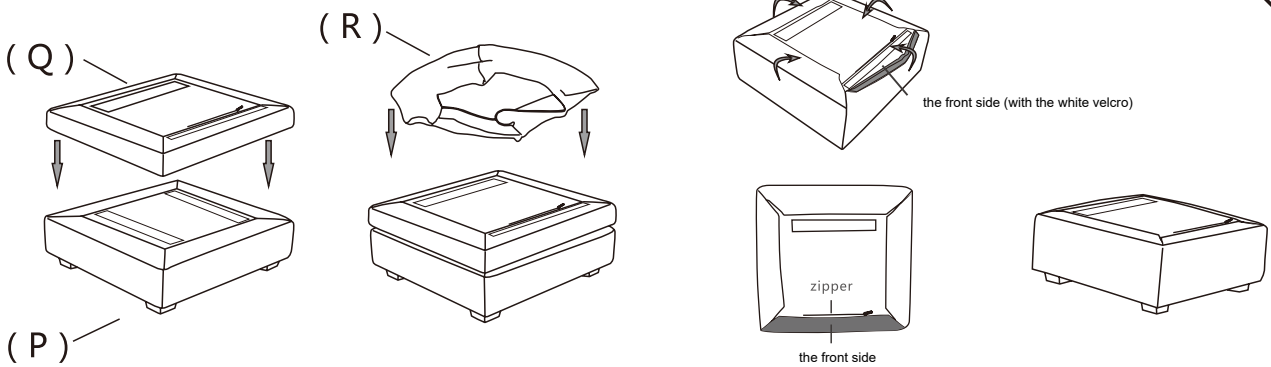
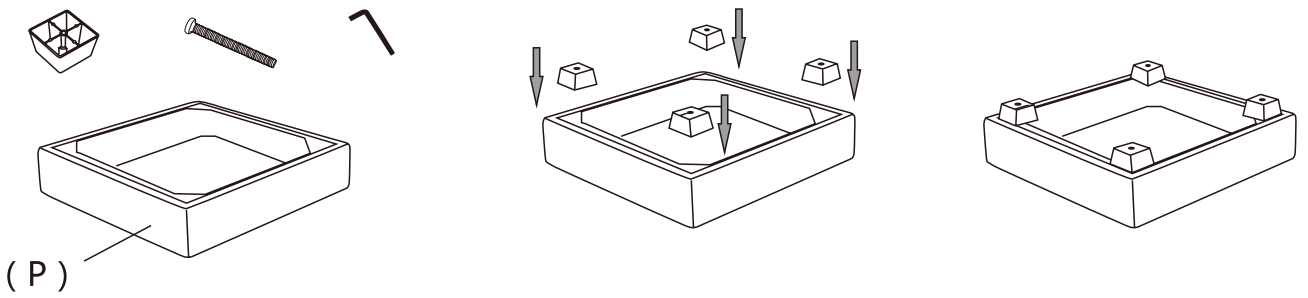
07



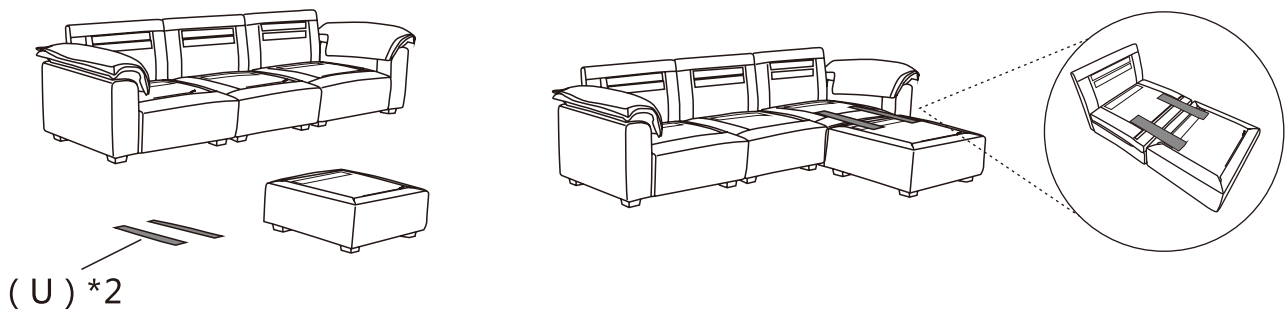
08



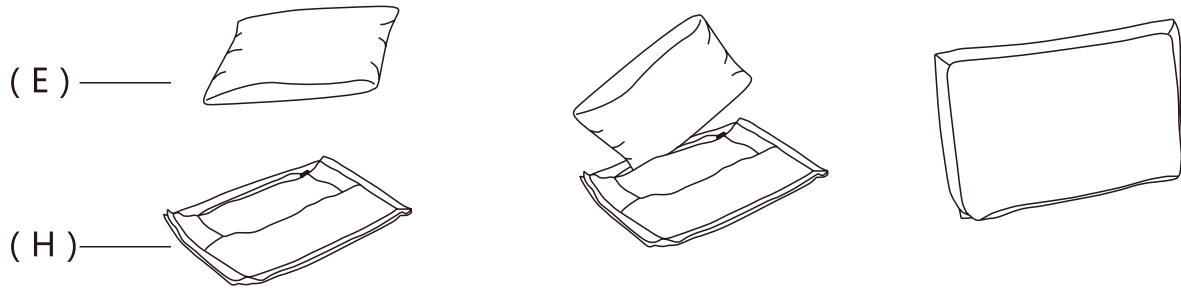
(J) *4 (K) *4 (L) *1



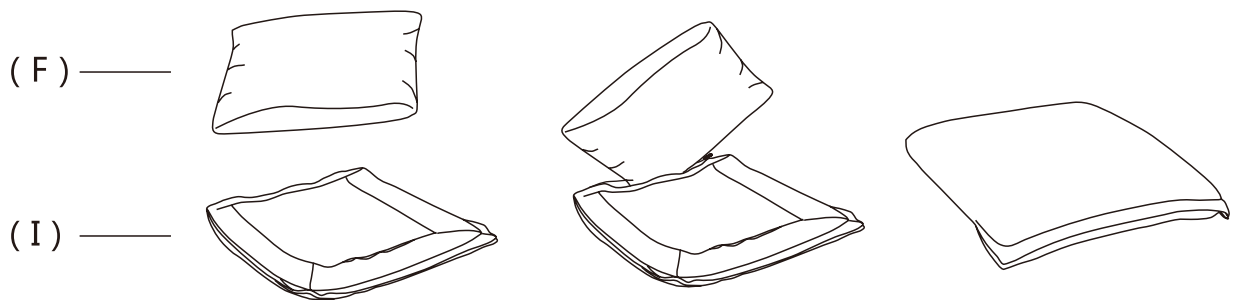
* Please install the front side (the side with the white velcro) of the cloth cover parallel to the zipper.



* After unpacking, it takes some time (48 hours) for the soft package to rebound. Tap the soft bag with your hand to accelerate the rebound effect.



*Insert the pointed side of the soft bag inward into the cloth cover.



*Insert the pointed side of the soft bag inward into the cloth cover.

