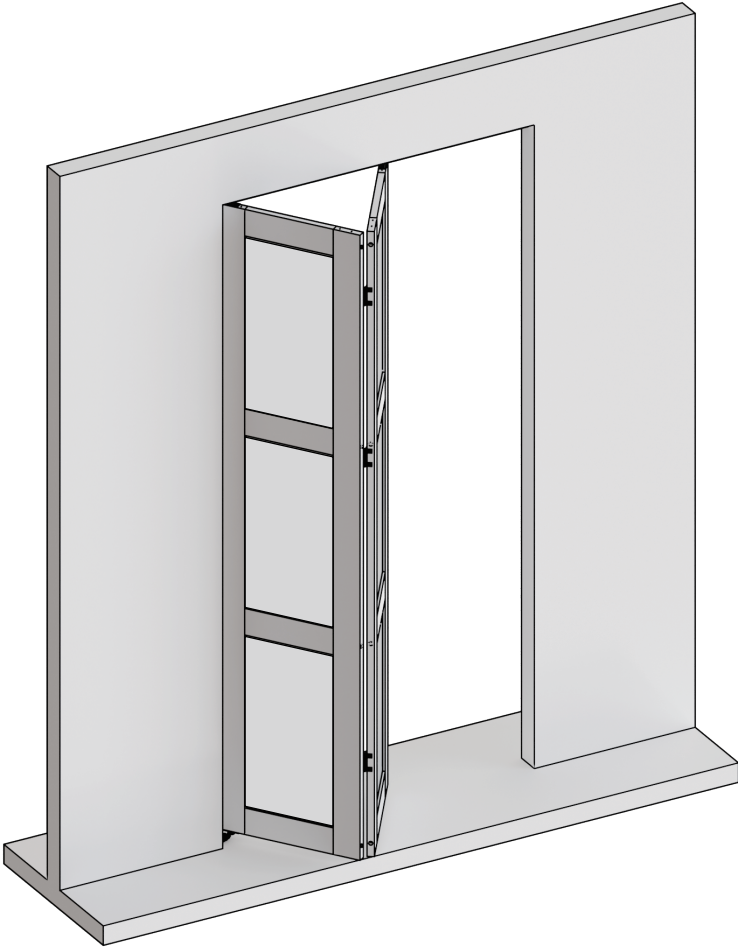


# Installation Manual



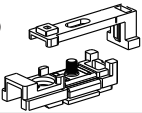
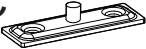

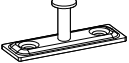
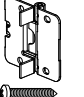

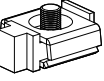
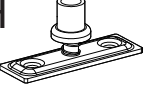




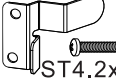




Please note we are always ready to support you. Don't hesitate to contact us when you have any questions, we will try our best to resolve your issue ASAP.

**(yoursupport@163.com)**

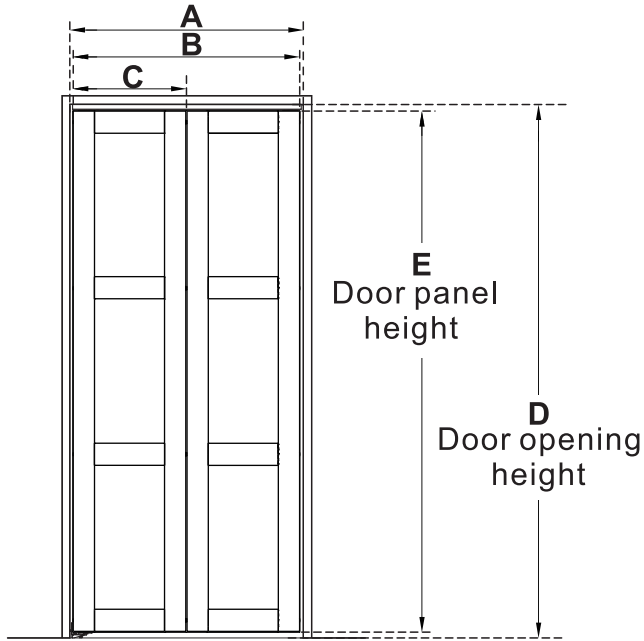




# Parts of list

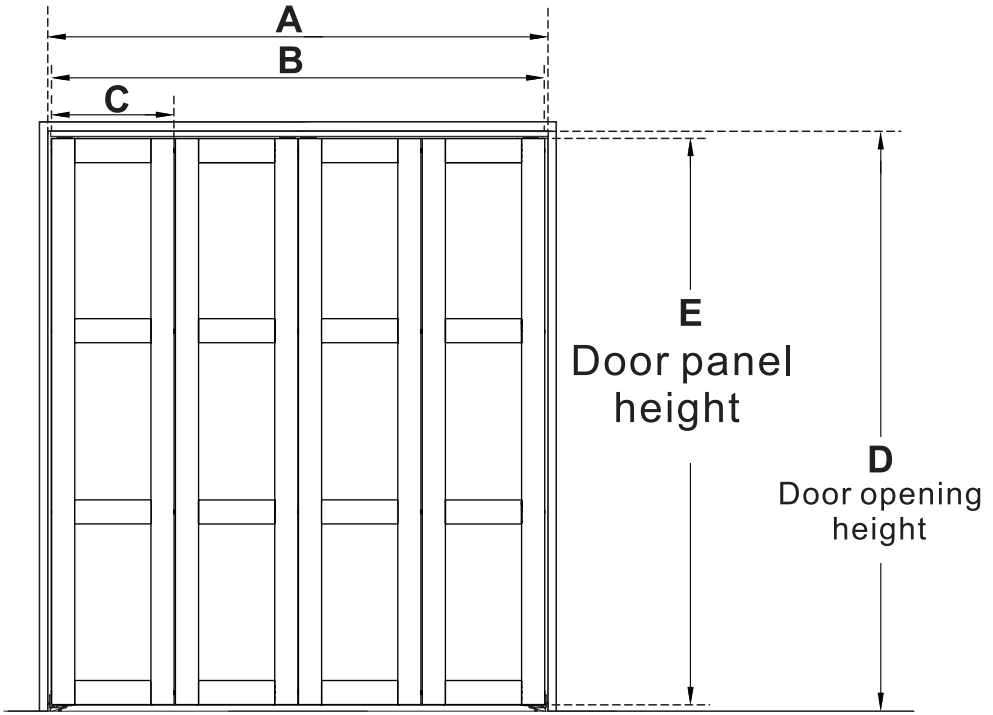
Option Size	24"	28"	30"	32"	36"	48" (4doors)	60" (4doors)	72" (4doors)
A 	1	1	1	1	1	1	1	1
ST4.2x32 	4	4	4	5	5	6	7	9
B 	1	1	1	1	1	2	2	2
C 	1	1	1	1	1	2	2	2
D 	1	1	1	1	1	2	2	2
E 	1	1	1	1	1	2	2	2
F  ST4.2x16 (x4) 	3	3	3	3	3	6	6	6
G 	1	1	1	1	1	2	2	2
H 	1	1	1	1	1	2	2	2
I  M4x25 (x1)   ST4x32 (x1) 	1	1	1	1	1	2	2	2
J  ST4.2x16 (x2) 	1	1	1	1	1	2	2	2
K 	1	1	1	1	1	1	1	1
	1	1	1	1	1	1	1	1
 ST4.2x25	9	9	9	9	9	18	18	18

# Installation



Option Size	A Door Opening Width	B Door Panel Width	C Single Door Panel Width	D Door Opening Height	E Door Panel Height
23 1/2" X 78 3/4"	24"	23 1/2"	11 3/4"	80 3/4"	78 3/4"
27 1/2" X 78 3/4"	28"	27 1/2"	13 3/4"	80 3/4"	78 3/4"
29 1/2" X 78 3/4"	30"	29 1/2"	14 3/4"	80 3/4"	78 3/4"
31 1/2" X 78 3/4"	32"	31 1/2"	15 3/4"	80 3/4"	78 3/4"
35 1/2" X 78 3/4"	36"	35 1/2"	17 3/4"	80 3/4"	78 3/4"
41 1/2" X 78 3/4"	42"	41 1/2"	20 3/4"	80 3/4"	78 3/4"
47 1/2" X 78 3/4"	48"	47 1/2"	23 3/4"	80 3/4"	78 3/4"
23 1/2" X 94 3/4"	24"	23 1/2"	11 3/4"	96 3/4"	94 3/4"
29 1/2" X 94 3/4"	30"	29 1/2"	14 3/4"	96 3/4"	94 3/4"
35 1/2" X 94 3/4"	36"	35 1/2"	17 3/4"	96 3/4"	94 3/4"

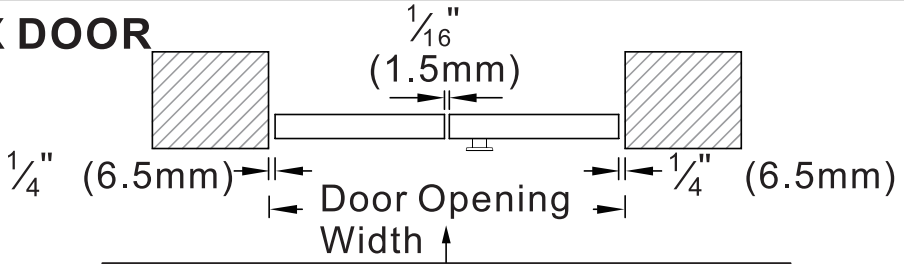
# Installation



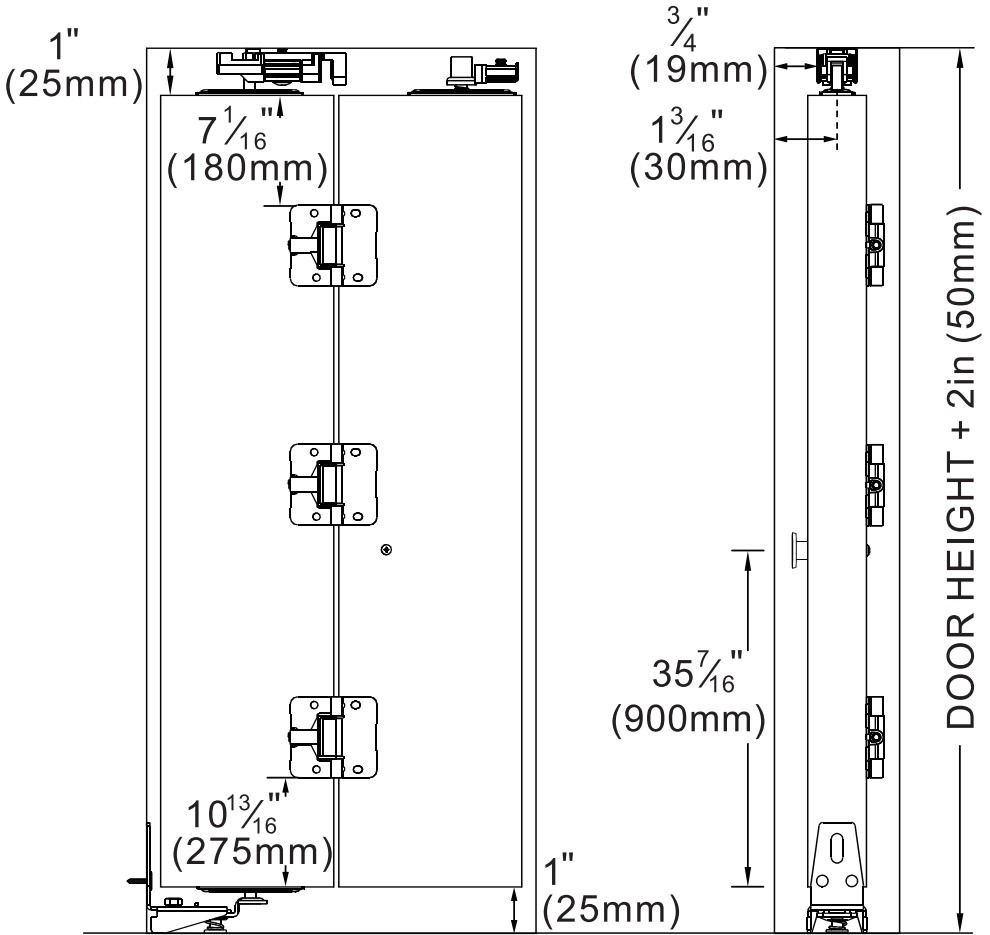
Option Size	A Door Opening Width	B Door Panel Width	C Single Door Panel Width	D Door Opening Height	E Door Panel Height
47 <sup>5</sup> / <sub>8</sub> " × 78 <sup>3</sup> / <sub>4</sub> "	48"	47 <sup>5</sup> / <sub>8</sub> "	11 <sup>3</sup> / <sub>4</sub> "	80 <sup>3</sup> / <sub>4</sub> "	78 <sup>3</sup> / <sub>4</sub> "
59 <sup>5</sup> / <sub>8</sub> " × 78 <sup>3</sup> / <sub>4</sub> "	60"	59 <sup>5</sup> / <sub>8</sub> "	14 <sup>3</sup> / <sub>4</sub> "	80 <sup>3</sup> / <sub>4</sub> "	78 <sup>3</sup> / <sub>4</sub> "
71 <sup>5</sup> / <sub>8</sub> " × 78 <sup>3</sup> / <sub>4</sub> "	72"	71 <sup>5</sup> / <sub>8</sub> "	17 <sup>3</sup> / <sub>4</sub> "	80 <sup>3</sup> / <sub>4</sub> "	78 <sup>3</sup> / <sub>4</sub> "

# Installation

## 2 X DOOR



**$2 \times \text{DOOR WIDTH} + \frac{9}{16}$ " (14.5mm)**



Back view

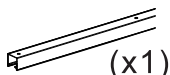
Side view



# Installation

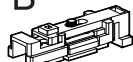
1

A



(x1)

B



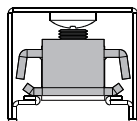
(x1)

G

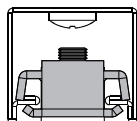


(x1)

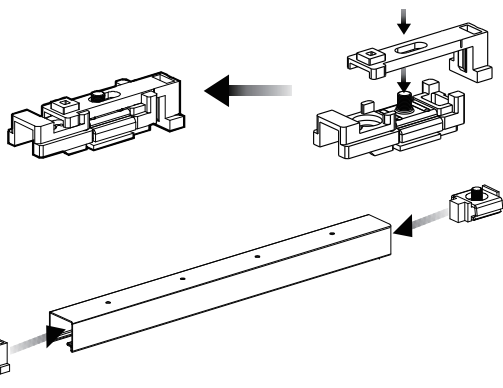
Side view



X



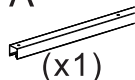
✓



Do not full tighten screws before completing assemble.

2

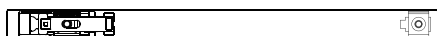
A



(x1)



ST4.2x32

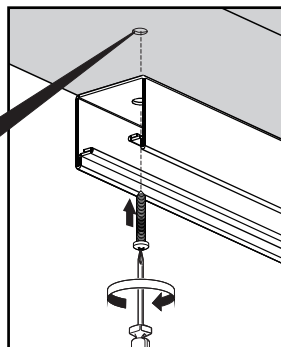
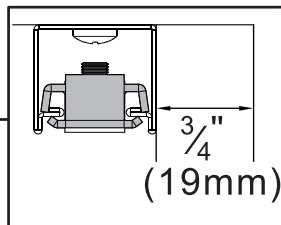
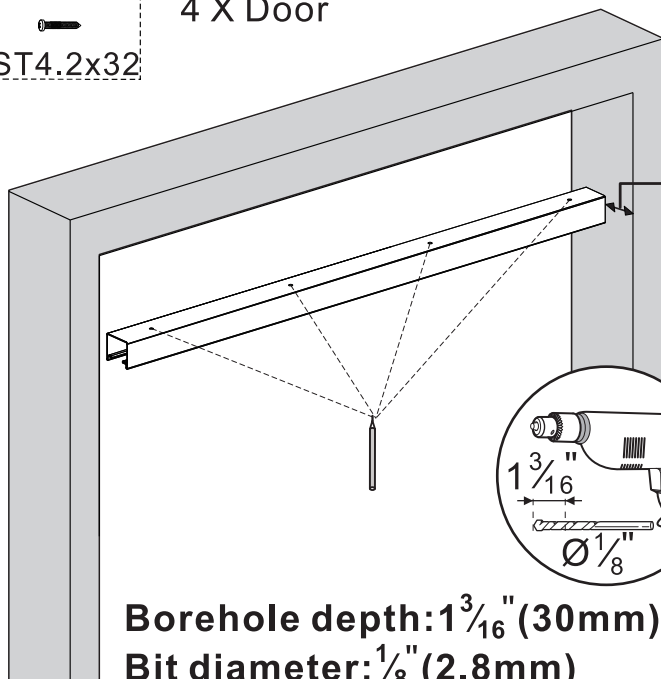


2 X Door

Top view



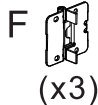
4 X Door



Borehole depth:  $1\frac{3}{16}$ " (30mm)  
Bit diameter:  $\frac{1}{8}$ " (2.8mm)

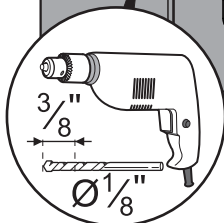
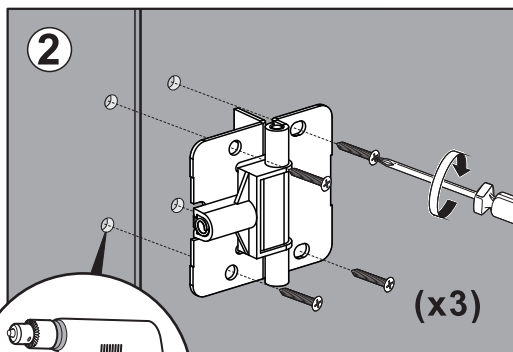
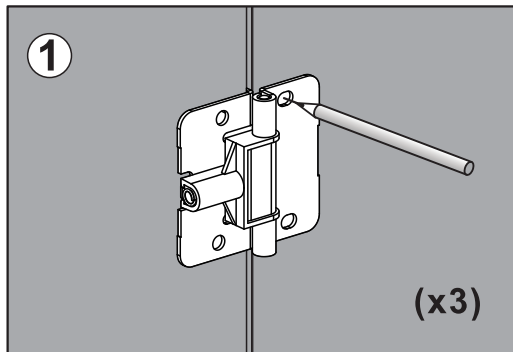
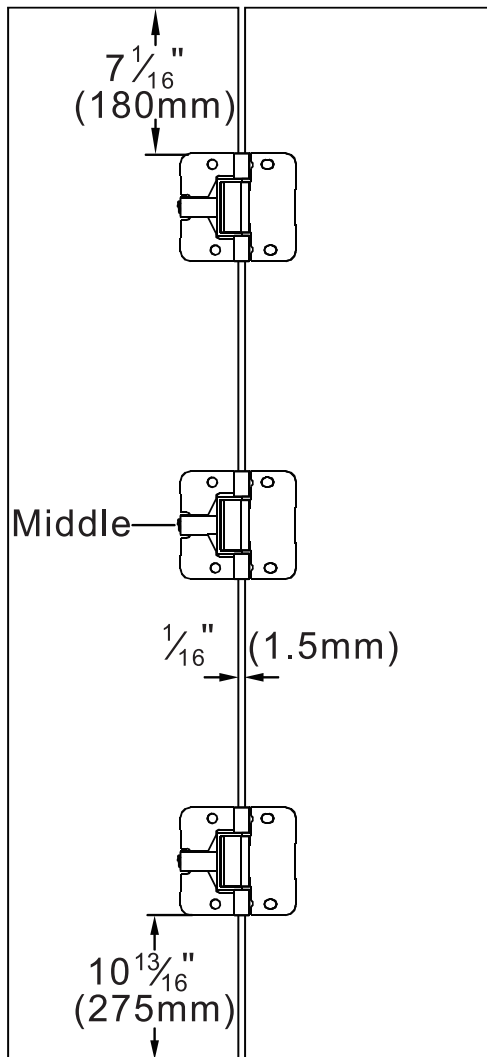
# Installation

3



(x3)

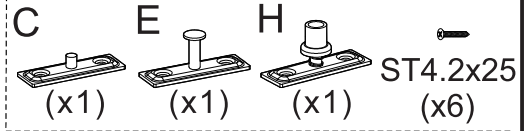
ST4.2x16  
(x12)



**Borehole depth:  $\frac{3}{8}$ " (10mm)**  
**Bit diameter:  $\frac{1}{8}$ " (2.8mm)**

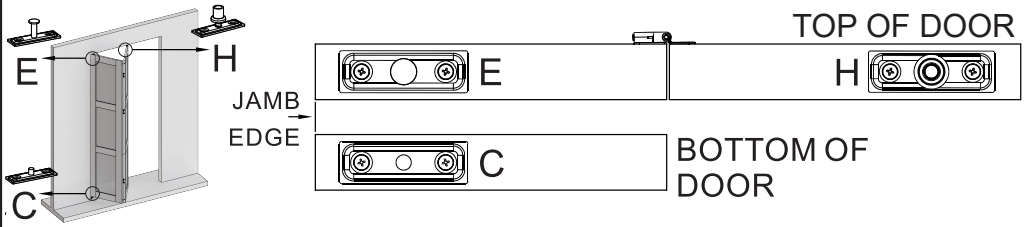
# Installation

**4** Install pivot plates to top and bottom of door panel as shown.

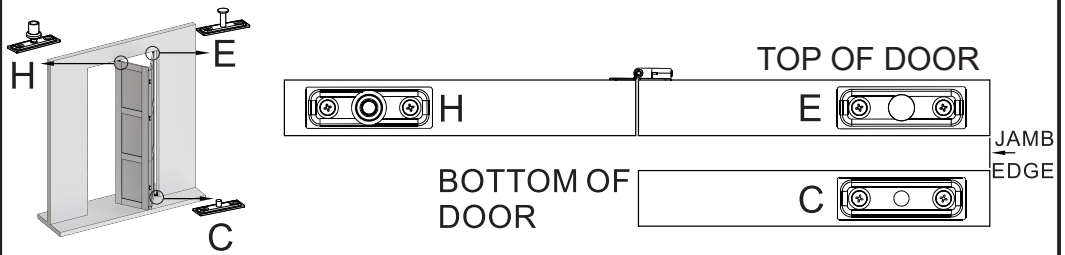


## 2 X DOOR

### LEFT HAND SWING



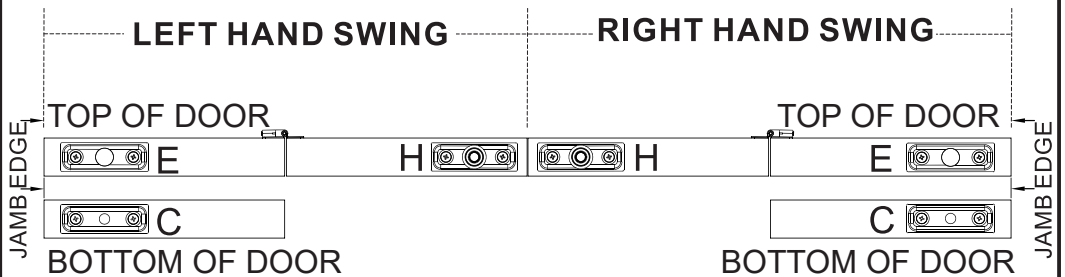
### RIGHT HAND SWING



## 4 X DOOR

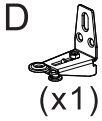
### LEFT HAND SWING

### RIGHT HAND SWING

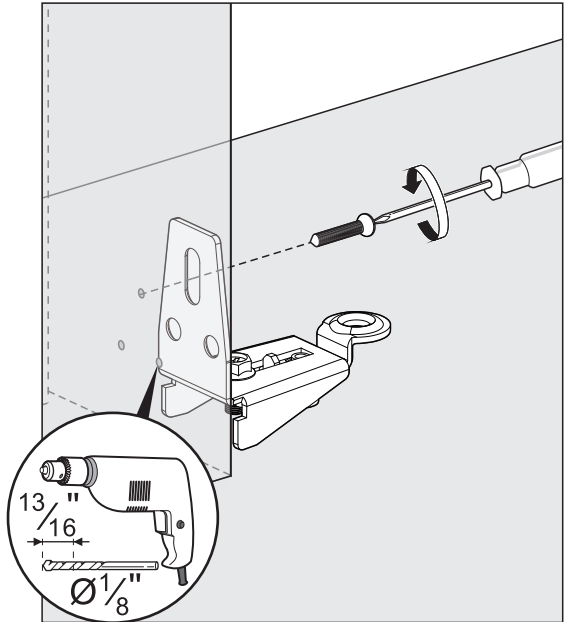
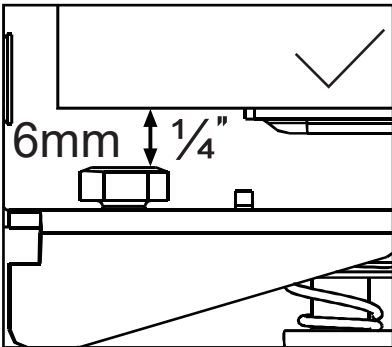
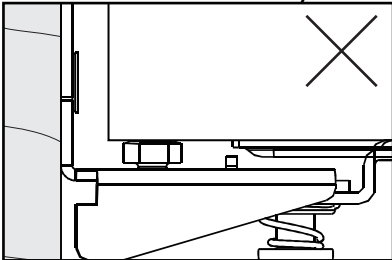
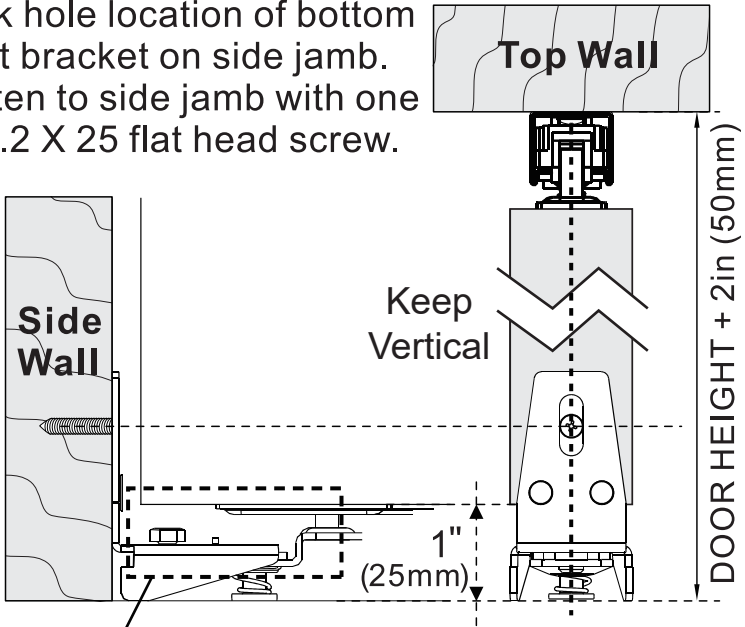


# Installation

- 5** Mark hole location of bottom pivot bracket on side jamb. Fasten to side jamb with one ST4.2 X 25 flat head screw.



ST4.2x25  
(x1)



**Borehole depth:  $13/16$ " (20mm)**  
**Bit diameter:  $1/8$ " (2.8mm)**

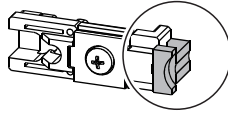
# Installation

6

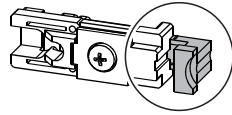
ST4.2x25  
(x2)

**Note: Ensure track bracket lock is in the unlocked position.**

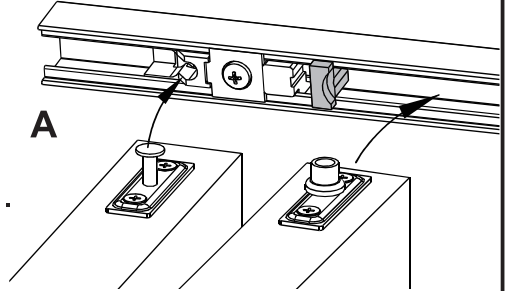
lock



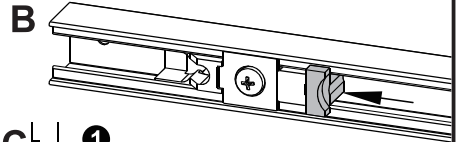
unlock



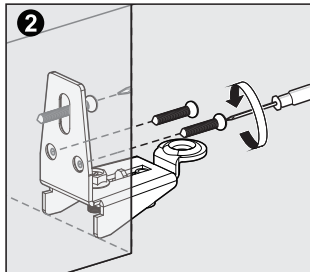
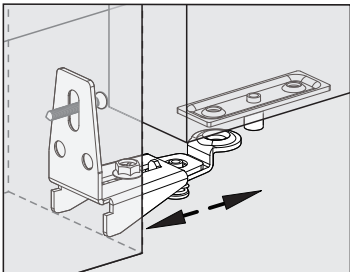
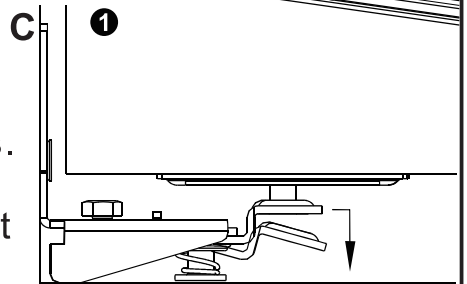
(A) Fold door and place panel guide into track. Insert top pivot pin into receptor of track bracket lock and firmly seated.



(B) Slide tab lock toward pin so that door panel is hanging from top pivot pin.



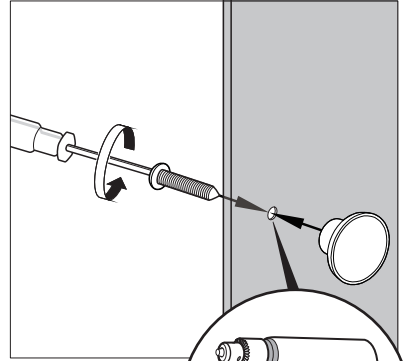
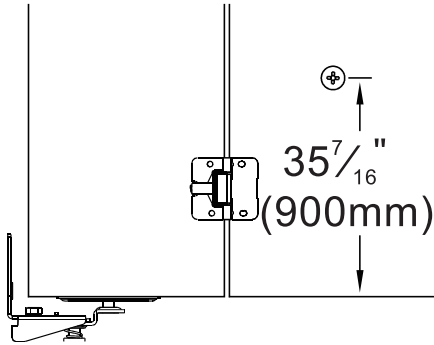
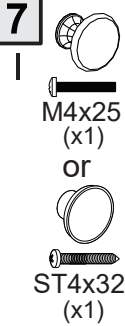
(C) Depress bottom pivot bracket socket arm and insert bottom pivot pin. Secure bottom pivot bracket with other 2 screws. Use a wrench for horizontal adjustment through track bracket lock and bottom pivot bracket.



Adjust left and right

# Installation

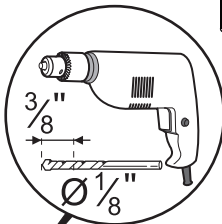
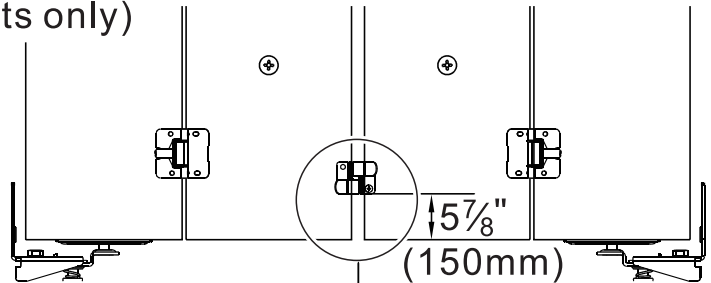
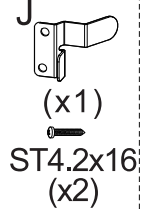
## 7 Install door pull.



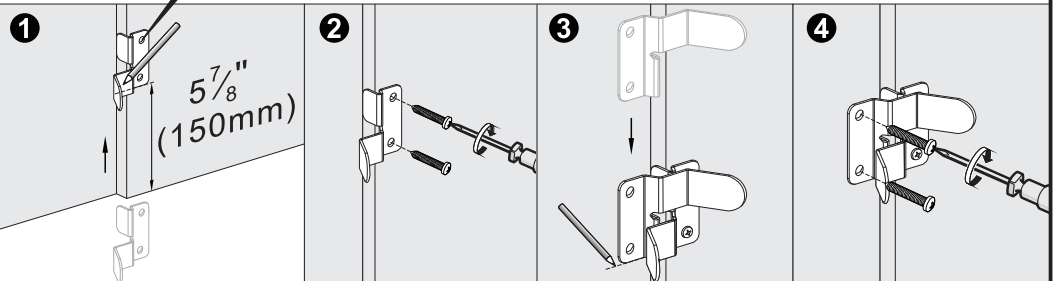
drill out  
 $\text{Ø}3\frac{1}{16}$ "

**Borehole depth: Drill out**  
**Bit diameter:  $3\frac{1}{16}$ " (5mm)**

## 8 Mount aligner on back side of lead doors. (4 door sets only)



**Borehole depth:  $\frac{3}{8}$ " (10mm)**  
**Bit diameter:  $\frac{1}{8}$ " (2.8mm)**

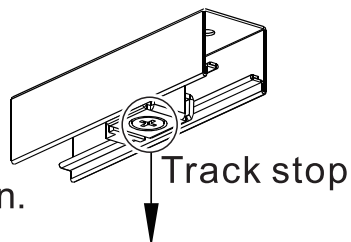


# Installation

9

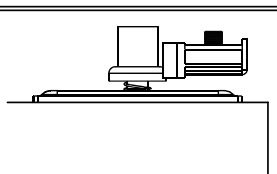
## Adjust track stop

Close doors, slide track stop until it touches panel guide. Then open doors, move track closer to panel guide and tighten. Doors should "snap" shut yet open easily by a slight pull on the pull.

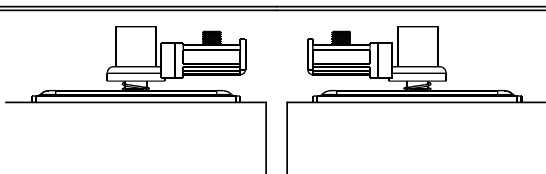


**Please screws  
tighten after  
competing assemble**

2 Door



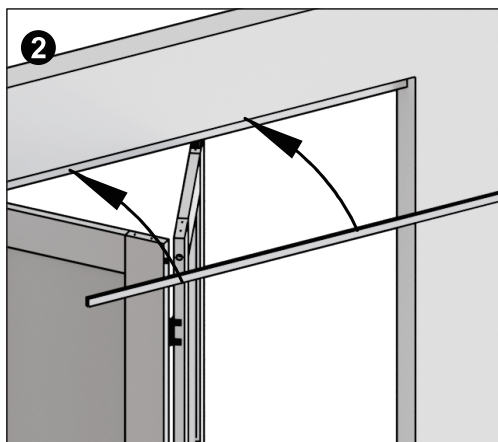
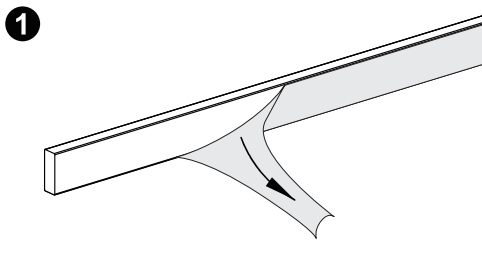
4 Door



10

K

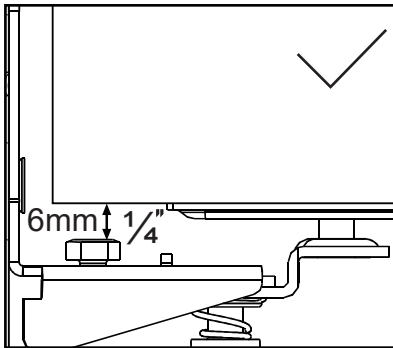
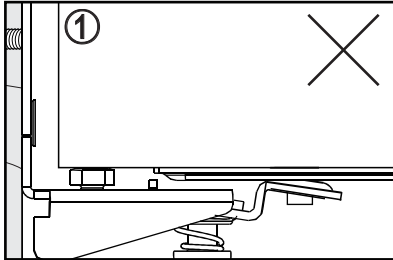
(x1)



# Precautions

If the door panel operates roughly or appears tilted after installation, check for these common issues:

- ① Avoid contact between the door panel and the floor guide.
- ② Ensure the door opening height = door height + 2"(50mm).
- ③ Ensure the track is centered vertically over the bottom floor guide.



## Door Panel Tilt

