

ASSEMBLY INSTRUCTIONS

TWIN/FULL BUNK BED WITH BOOKSHELF AND STAIR



WF295850/WF295851/WF295852



SAFETY WARNING



1. This bed is designed for use only mattress (es) meeting the following specifications on the upper bunk, and lower bunk:

Upper bunk (Bunk bed and tribed included)

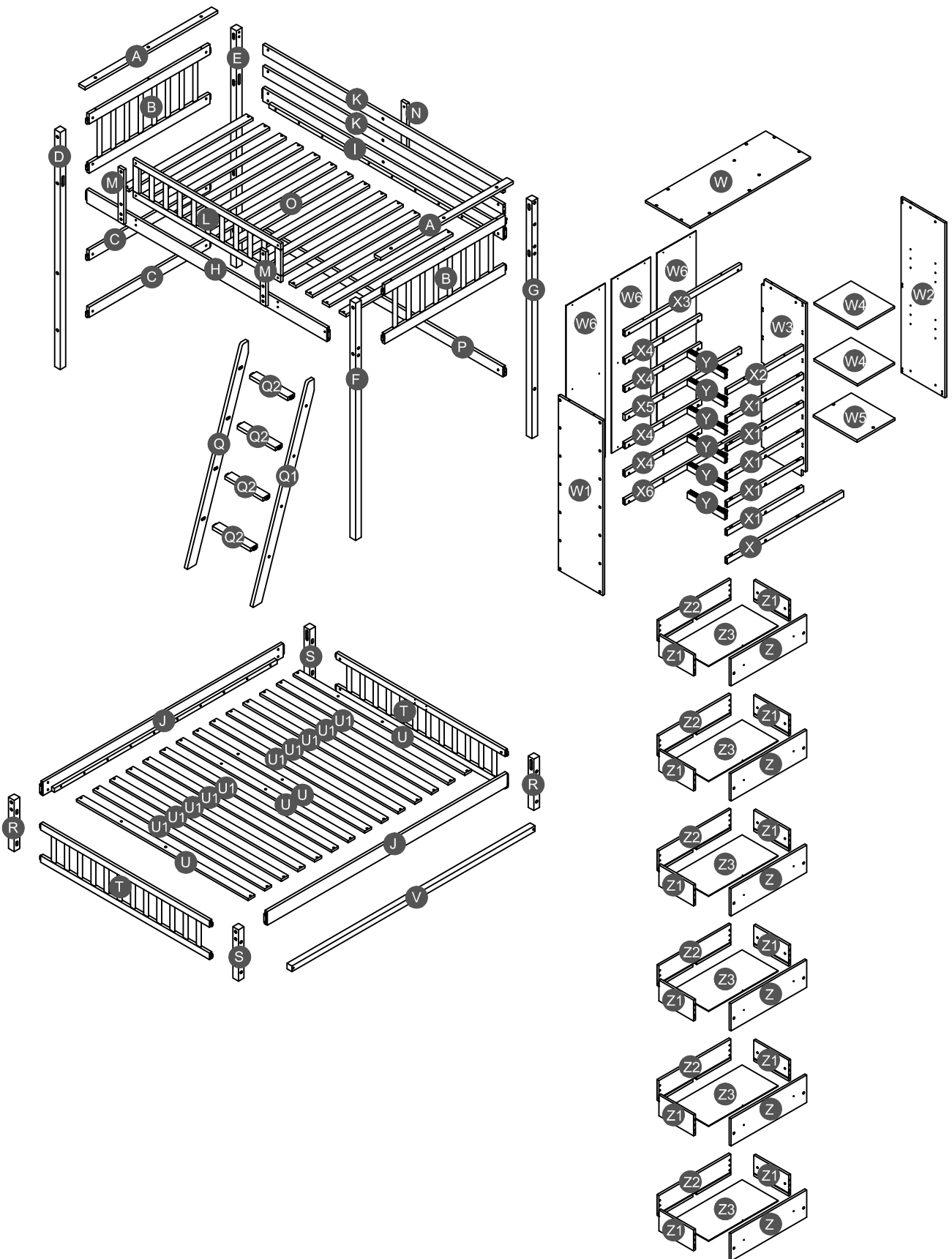
Bed type	Length	Width	Thickness
Twin Standard	74"-75"	38 1/2"	6" max

Lower bunk

Bed type	Length	Width	Thickness
Full Standard	74"-75"	54"	8"

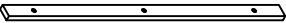
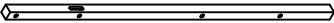
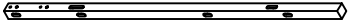
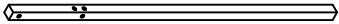
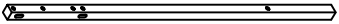

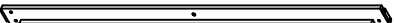
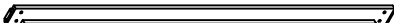

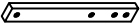

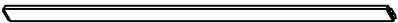
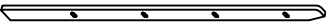
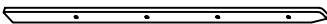
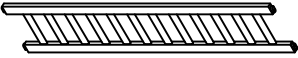
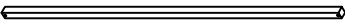
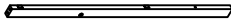

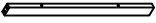

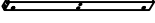
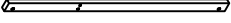
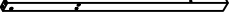

2. Replacement parts, including additional guardrails, maybe obtained from any of our (GIGACLOUD TECHNOLOGY (USA) INC . 18961 ARENTH AVENUE, CITY OF INDUSTRY , CA, 91748.) dealers
3. Follow the information on the warnings appearing on the upper bunk bed end structure and on the carton. Do not remove warning label from bed.
4. Always use the recommended size mattresses or mattress supports, or both, to help prevent the likelihood of entrapment or falls.
5. Surface of mattress must be at least 5" (127mm) below the upper edge of guardrails.
6. Do not allow children under 6 years of age to use the upper bunk.
7. Periodically check and ensure that the guardrail, ladder, and other components are in their proper position, free from damage, and that all connectors are tight.
8. Do not allow horseplay on or under the bed and prohibit jumping on the bed.
9. Always use the ladder for entering and leaving the upper bunk.
10. Do not use substitute part. Contact the manufacture or dealer for replacement part.
11. Use of a night light may provide added safety precaution for a child using the upper bunk.
12. Always use guardrails on both long sides of the upper bunk. If the bunk bed will be placed next to the wall, the guardrail that runs the full length of the bed should be placed against the wall to prevent entrapment between the bed and wall.
13. The use of water or sleep flotation mattresses is prohibited.
14. STRANGULATION HAZARD - Never attach or hang items to any part of the bunk bed that are not designed for use with the bed; for example, but not limited to, hook, belts and jump ropes.
15. Keep these instruction for future reference.
16. Prohibit more than one person on upper bunk
17. We recommend assembling your bunk bed on the shipping carton to protect your floor or carpet.
18. Be certain all staples are out of the box before beginning assembly on the shipping carton.

Detail View






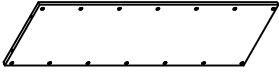


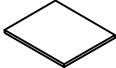

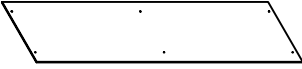
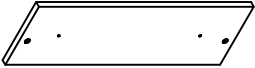
Part List

Hardware List WF295850

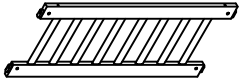
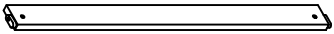
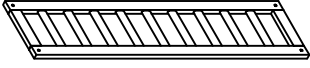

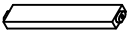
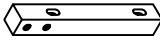
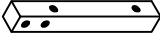
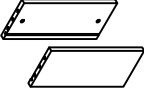

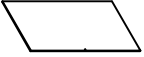
<p>A</p>  <p>Cap for upper HB/FB - 2pcs</p>	<p>D</p>  <p>Leg (Left Front) - 1pc</p>	<p>E</p>  <p>Leg (Left Back) - 1pc</p>
<p>F</p>  <p>Leg (Right Front) - 1pc</p>	<p>G</p>  <p>Leg (Right Back) - 1pc</p>	<p>H</p>  <p>Upper side rail (front) - 1pc</p>
<p>I</p>  <p>Upper side rail (back) - 1pc</p>	<p>J</p>  <p>Lower side rail (front-back) - 2pcs</p>	<p>K</p>  <p>Long guard rail - 2pcs</p>
<p>M</p>  <p>Vertical guard rail (front) - 2pcs</p>	<p>N</p>  <p>Vertical guard rail (back) - 1pc</p>	<p>P</p>  <p>Lower horizontal bar (back) - 1pc</p>
<p>Q</p>  <p>Left side ladder - 1pc</p>	<p>Q1</p>  <p>Right side ladder - 1pc</p>	<p>T</p>  <p>Lower frame HB/FB - 2pcs</p>
<p>V</p>  <p>Lower support slat - 1pc</p>	<p>X</p>  <p>Lower crossbar (front) - 1pc</p>	<p>X1</p>  <p>Crossbar (front) - 5pcs</p>
<p>X2</p>  <p>Upper crossbar (front) - 1pc</p>	<p>X3</p>  <p>Upper crossbar (back) - 1pc</p>	<p>X4</p>  <p>Crossbar (back) - 4pcs</p>
<p>X5</p>  <p>Divider crossbar (back) - 1pc</p>	<p>X6</p>  <p>Lower crossbar (back) - 1pc</p>	<p>Y</p>  <p>Support drawer - 6pcs</p>

Part List

WF295851

<p>U</p>  <p>Lower slat - 4pcs</p>	<p>U1</p>  <p>Lower slat - 10pcs</p>	<p>W</p>  <p>Top panel - 1pc</p>
<p>W1</p>  <p>Side panel (Left) - 1pc</p>	<p>W2</p>  <p>Side panel (Right) - 1pc</p>	<p>W3</p>  <p>Divider panel - 1pc</p>
<p>W4</p>  <p>Shelf panel - 2pcs</p>	<p>W5</p>  <p>Bottom panel - 1pc</p>	<p>W6</p>  <p>Back panel - 3pcs</p>
<p>Z</p>  <p>Drawer front - 6pcs</p>		

WF295852

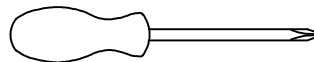
<p>B</p>  <p>Upper frame HB/FB - 2pcs</p>	<p>C</p>  <p>Horizontal bar HB - 2pcs</p>	<p>L</p>  <p>Short guard rail - 1pc</p>
<p>O</p>  <p>Upper slat - 14pcs</p>	<p>Q2</p>  <p>Step ladder - 4pcs</p>	<p>R</p>  <p>Short Leg (Left Back/Right Front) - 2pcs</p>
<p>S</p>  <p>Short Leg (Left Front/Right Back) - 2pcs</p>	<p>Z1</p>  <p>Drawer (left/right) - 12pcs</p>	<p>Z2</p>  <p>Drawer back - 6pcs</p>
<p>Z3</p>  <p>Drawer bottom - 6pcs</p>		

Hardware List WF295850

1  Ø10*40mm Wood dowel (4pcs)	2  Ø8*30mm Wood dowel (76pcs)	3  (Ø15)1/4"*100mm Hex-Head bolts (22pcs)
4  (Ø15)1/4"*80mm Hex-Head bolts (20pcs)	5  (Ø12)1/4"*60mm Hex-Head bolts (82pcs)	6  (Ø12)1/4"*30mm Hex-Head bolts (11pcs)
7  (Ø12)1/4"*40mm Hex-Head bolts (12pcs)	8  1/4"*15 (9.5mm) Horizontal-Hole bolts(124pcs)	9  Ø4*30mm Wood screws (60pcs)
10  (1/4")4.5*58mm Allen key (2pcs)	11  Ø38*31mm Pine Knob (12pcs)	12  3/16"*25mm Ph zinc(Knob) (12pcs)
13  295*30mm Upper slider drawer (6pcs)	14  Ø3.5*12mm Wood screws (18pcs)	15  Ø4*19mm Wood screws (6pcs)
16  Ø3.5*15mm Wood screws (42pcs)	17  64*52*95mm Castor (2pcs)	18  64*52*95mm Castor (2pcs)
19  (Ø13)1/4"*14mm Connect bolt (2pcs)	20  116*40*27mm Metal bracket (2pcs)	21  (Ø12)1/4"*40mm Hex-Head bolts (2pcs)
22  50*24*24*2mm Metal bracket (4pcs)	23  29*16*14mm(Ø6) Shelf pin (8pcs)	24  81*26*21*(2.5mm) Hooks (2pcs)





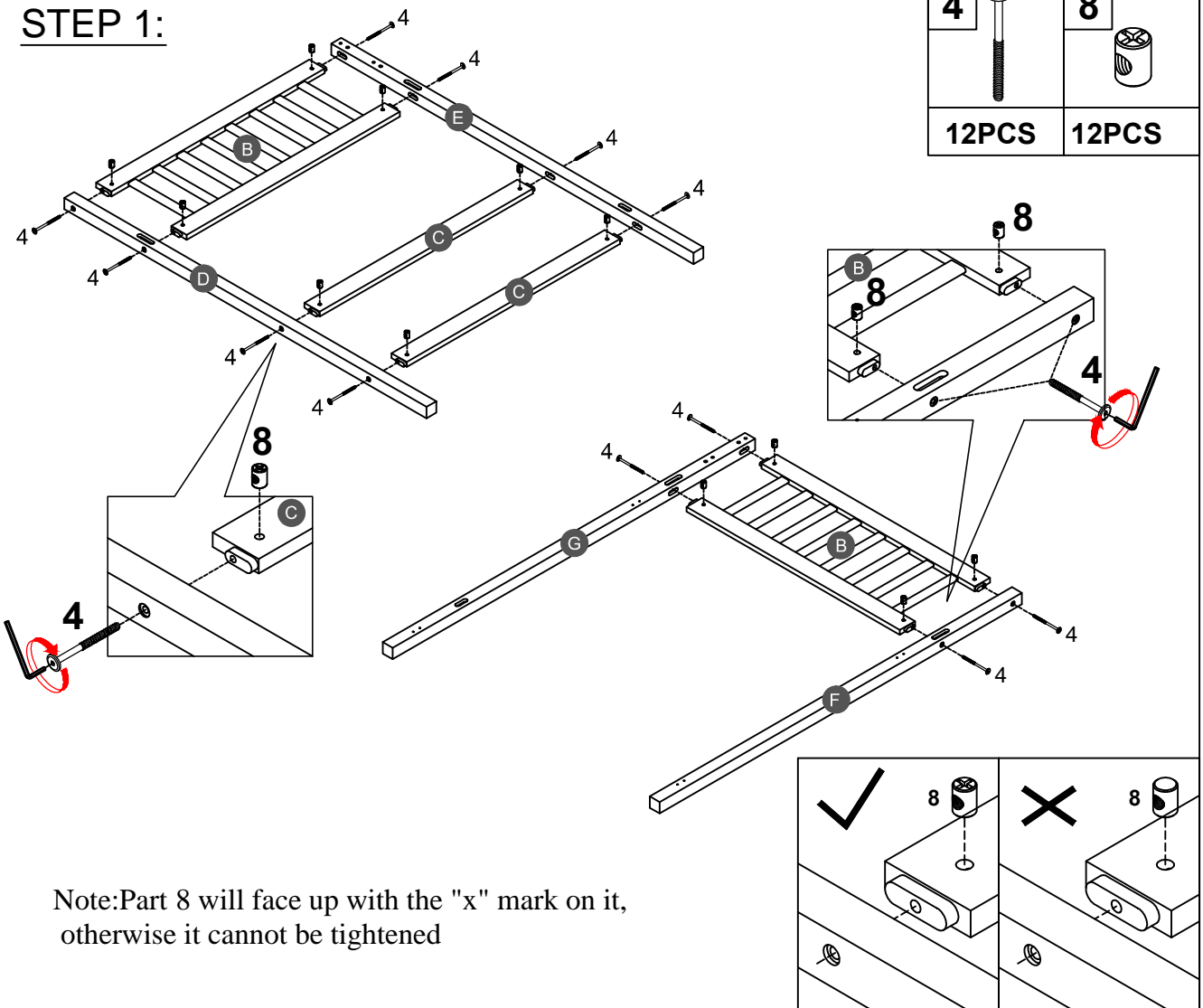
ASSEMBLY TOOLS REQUIRED (NOT INCLUDED)



PLEASE BE CAREFUL DO NOT DAMAGE THE HOLE POSITION WHEN YOU USE POWER TOOLS !


STEP 1:

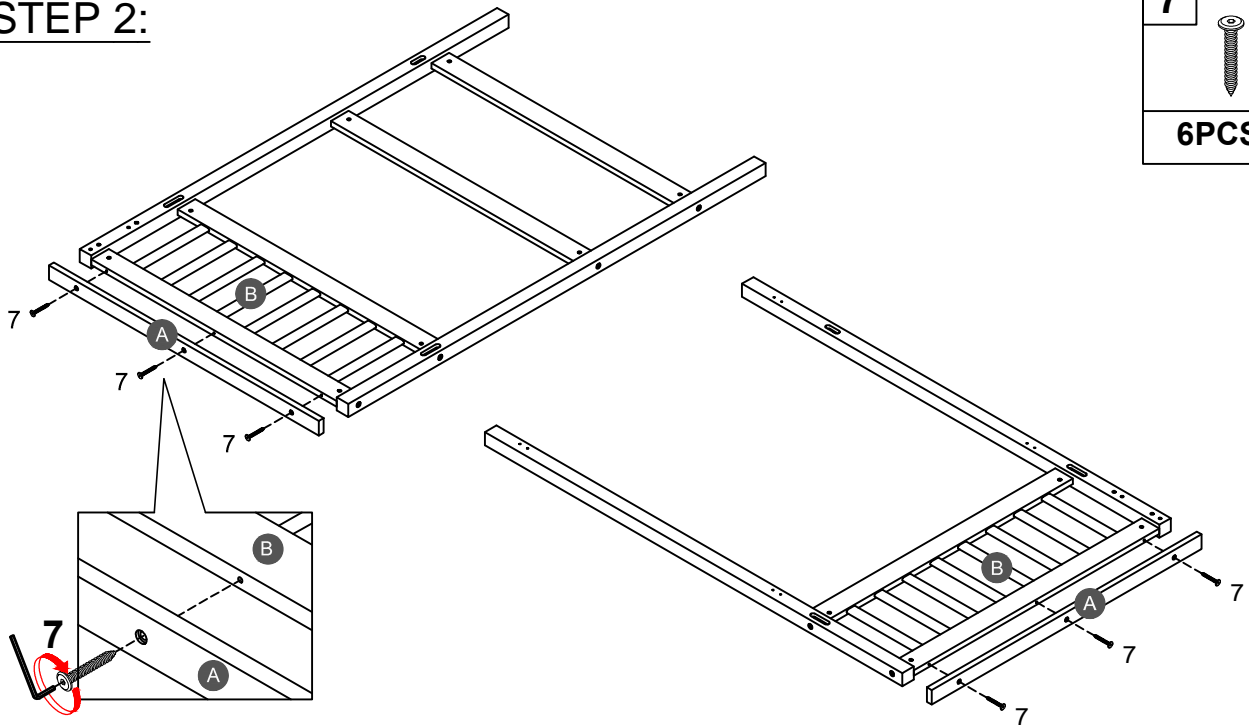
4		8	
12PCS		12PCS	






Note: Part 8 will face up with the "x" mark on it, otherwise it cannot be tightened

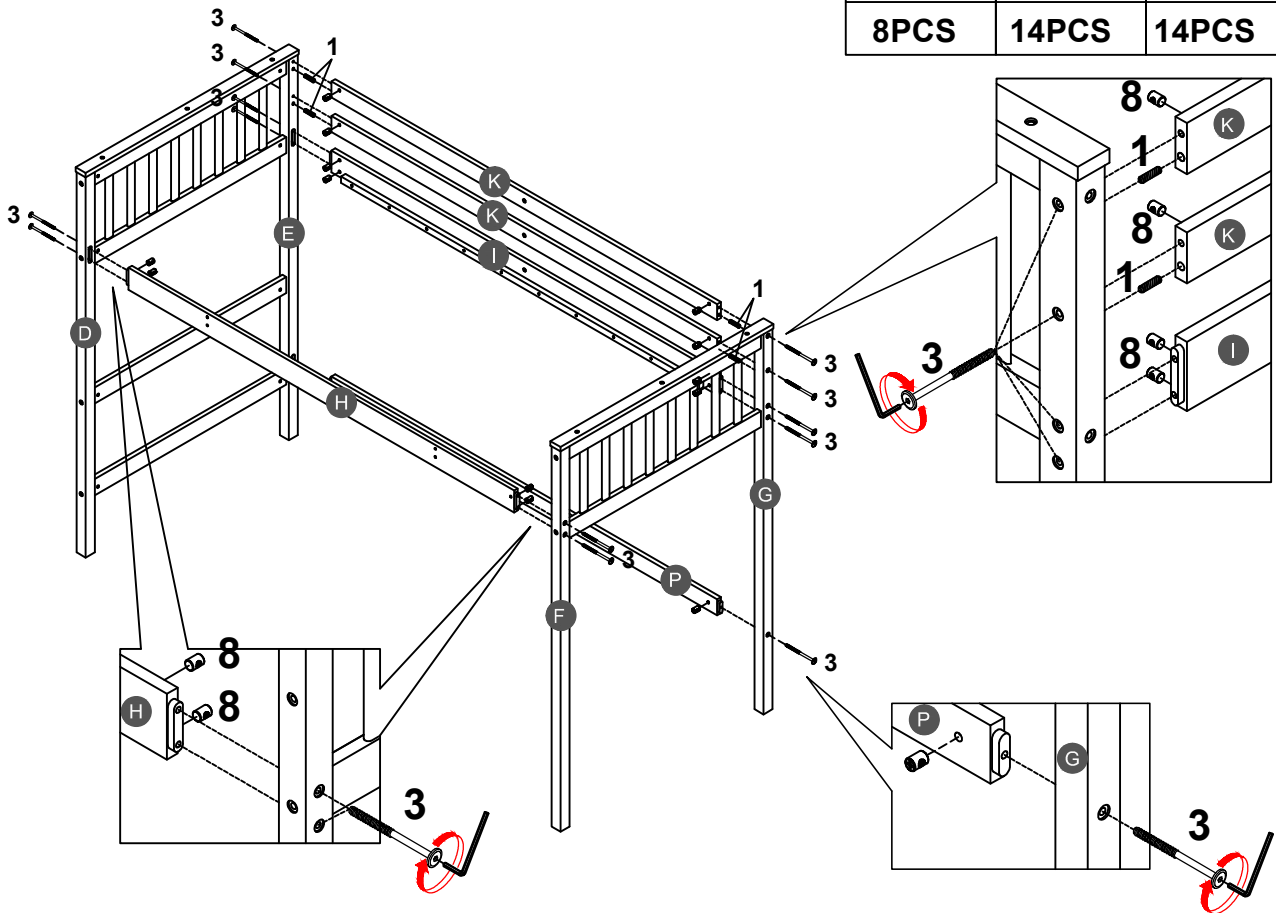
STEP 2:

7	
6PCS	




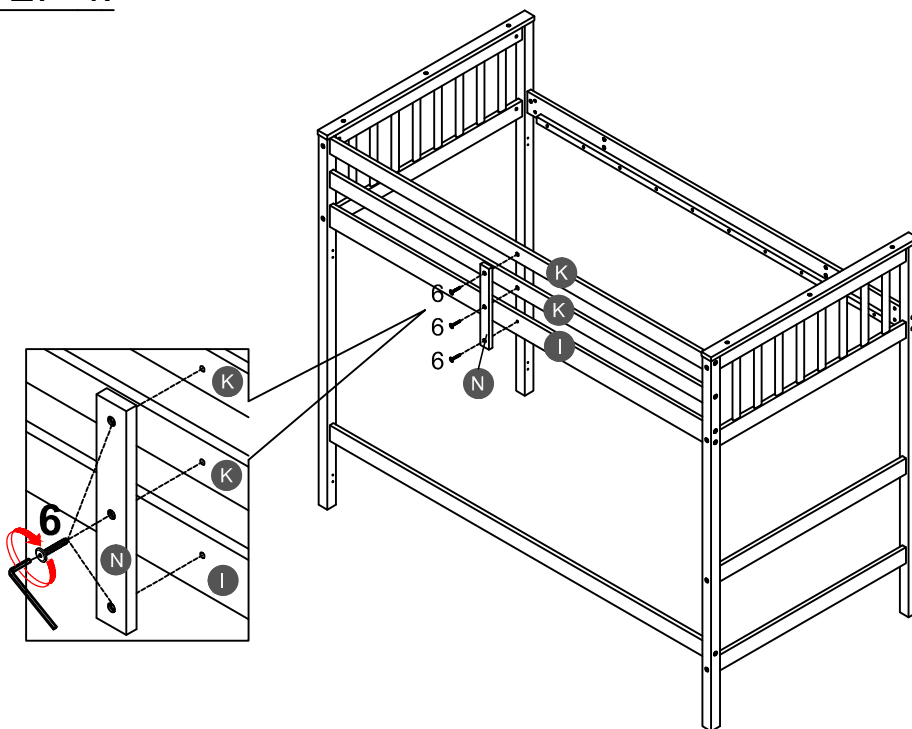
STEP 3:

1		3		8	
8PCS		14PCS		14PCS	

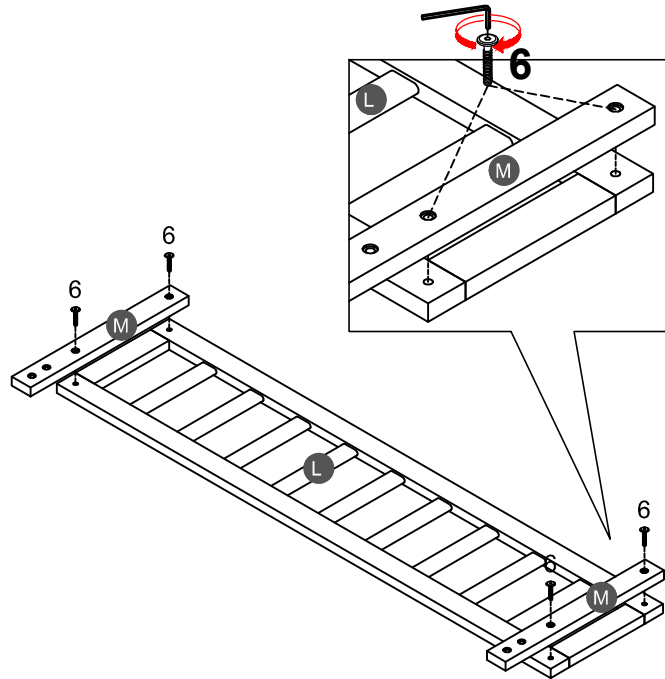


STEP 4:

6	
3PCS	



STEP 5:

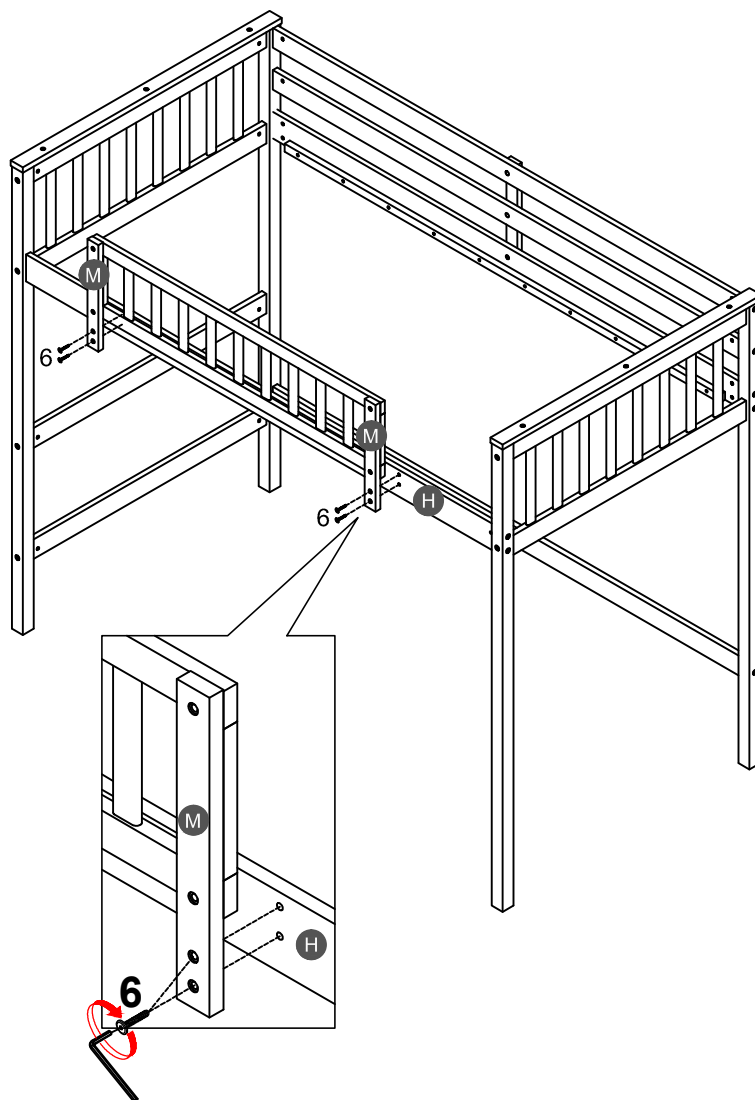


6



4PCS

STEP 6:




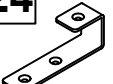


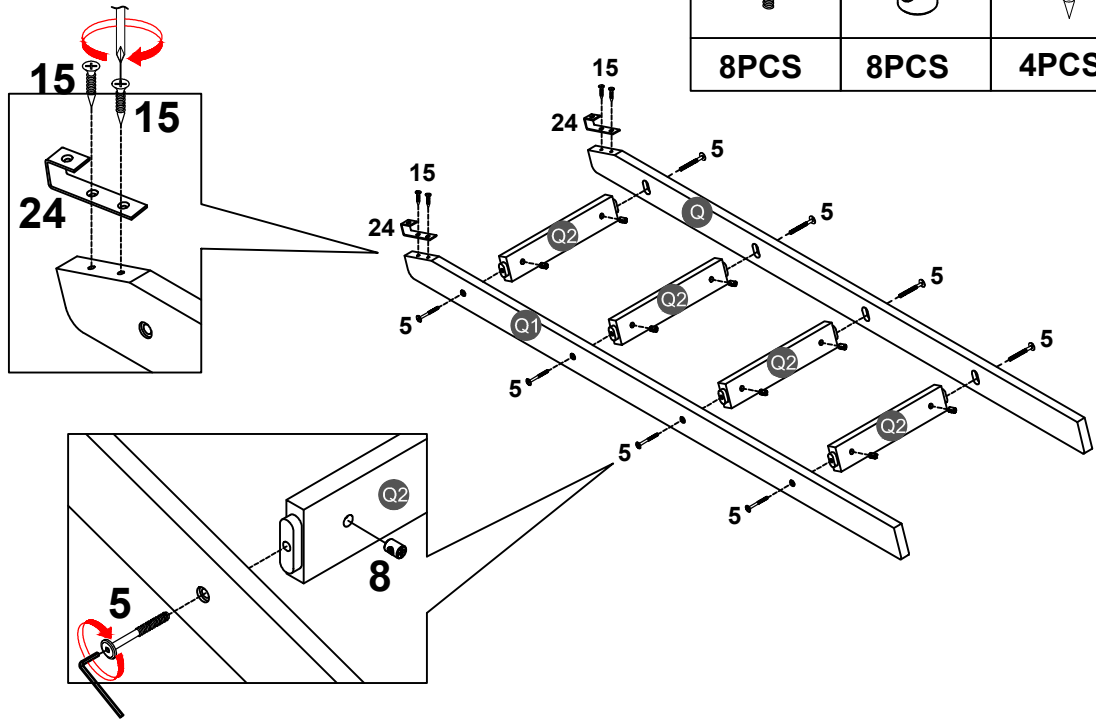
6




4PCS

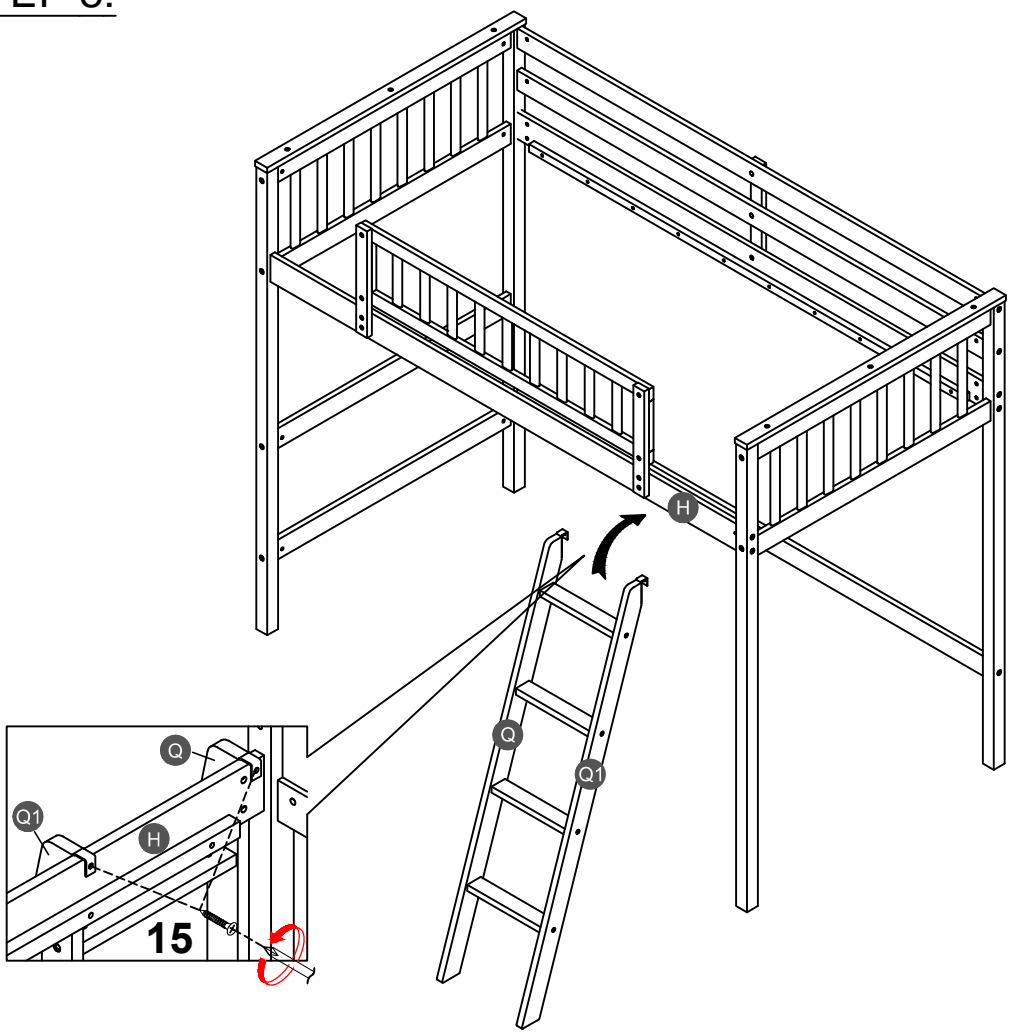
STEP 7:

5		8		15		24	
8PCS		8PCS		4PCS		2PCS	



STEP 8:

15	
2PCS	

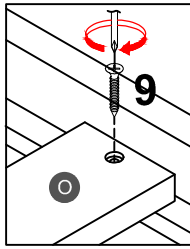


STEP 9:

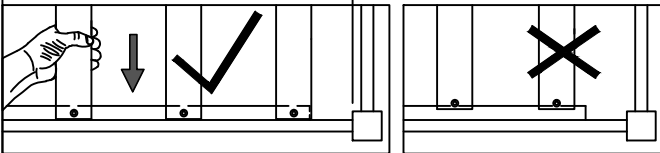
9



28PCS



3.1 " 79mm 3.3 " 84.5mm 2.4 " 61mm



Note: Do not lock the screws of the bed slats to the outermost edge of the bed slats, you need to leave a certain space at the edges, otherwise it will cause the board to break. Do not lock the bed slats on the edge of the wood, please hold firmly before screwing, hold it in place with one hand, then lock the screw.

STEP 10:

5

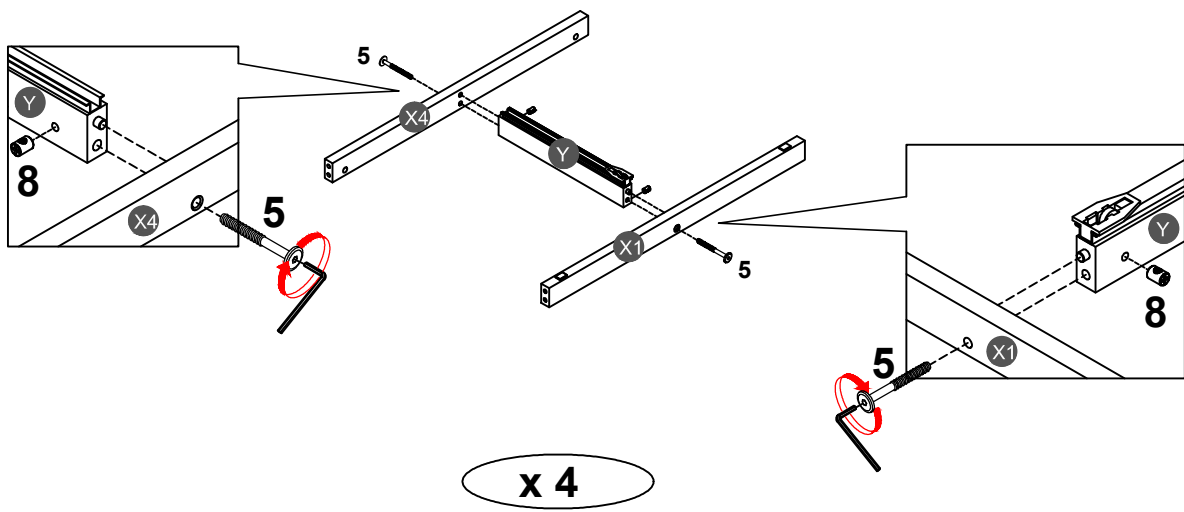


8PCS

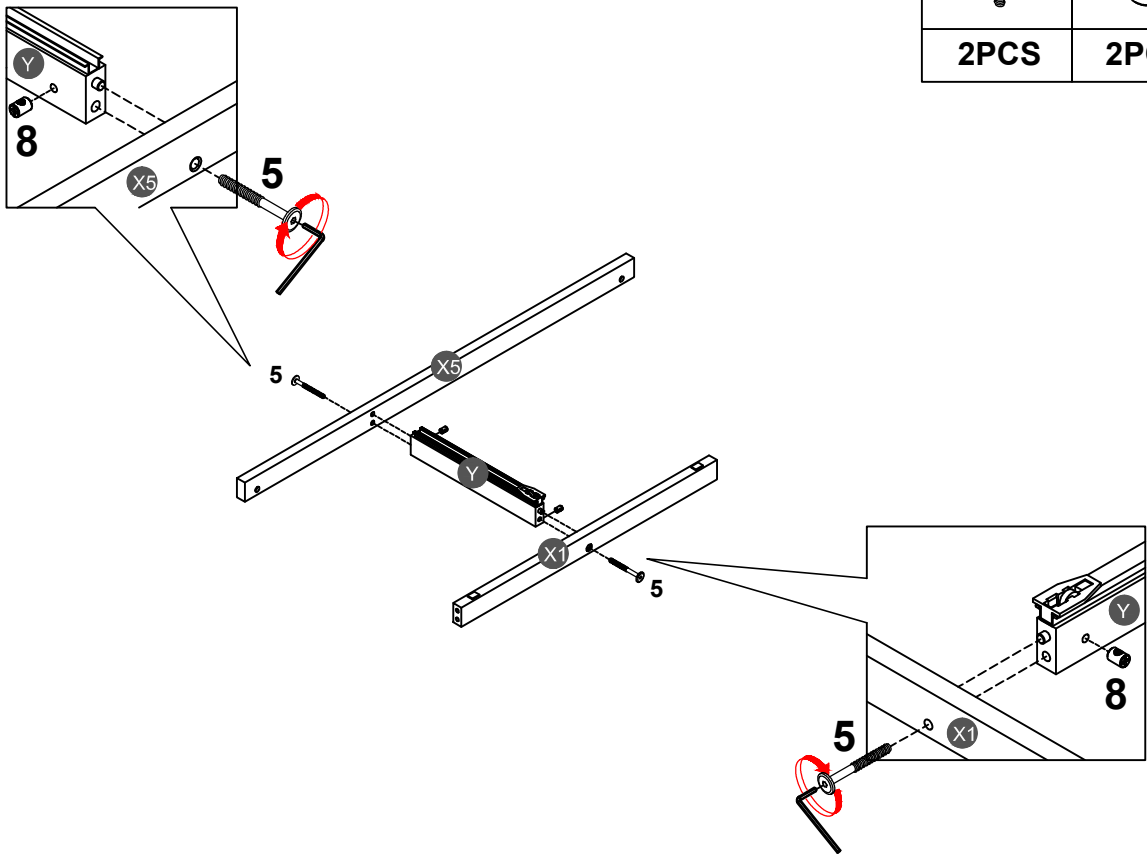
8





8PCS

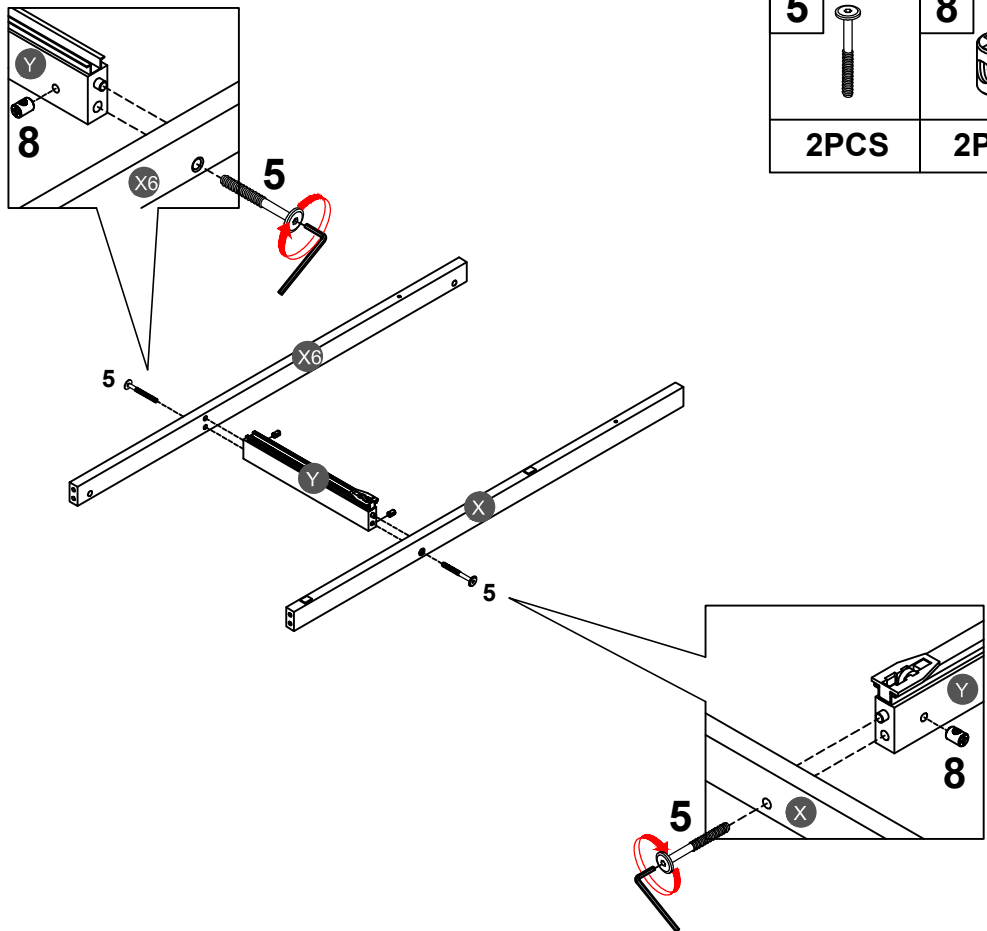




STEP 11:



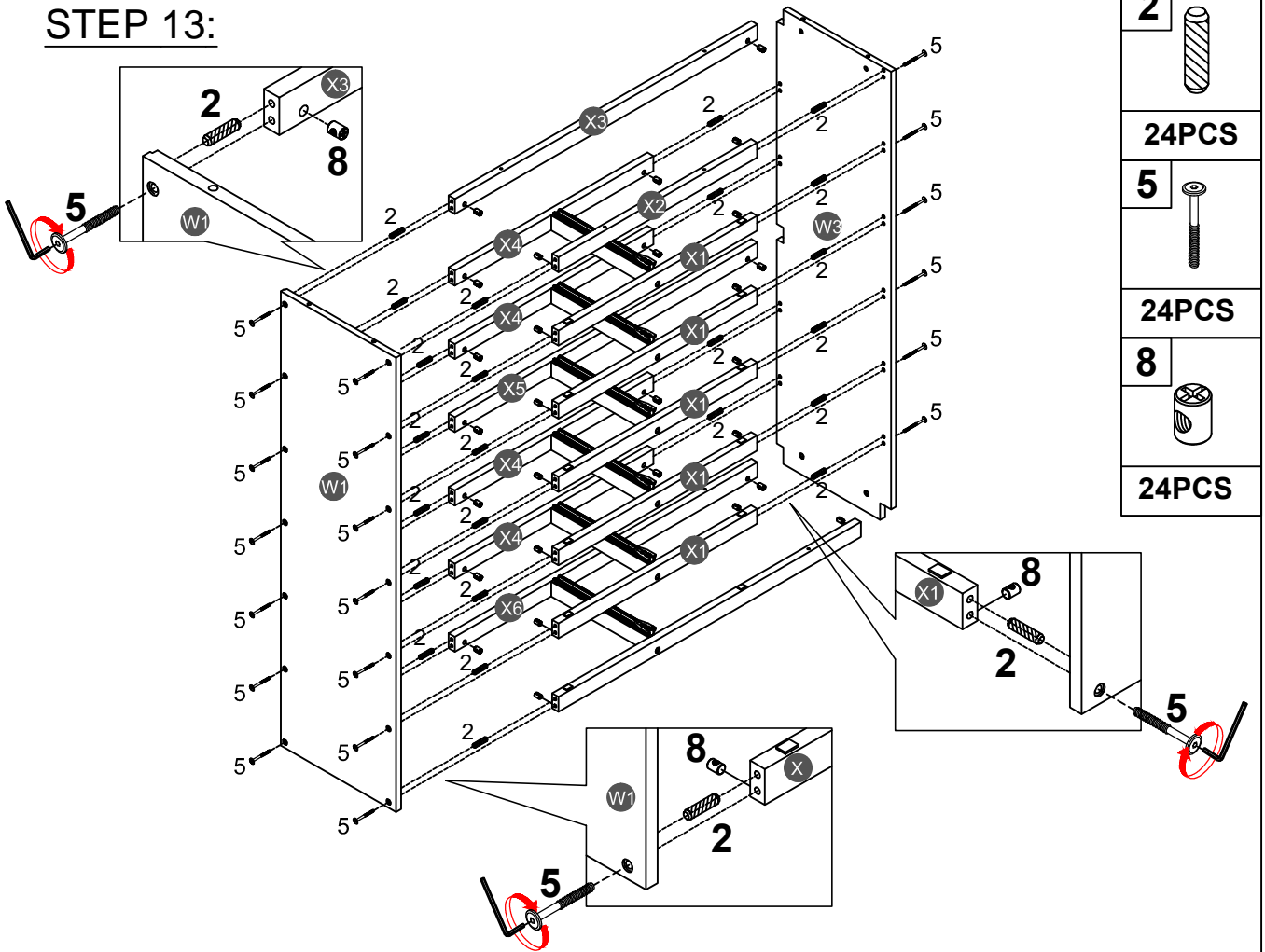
5		8	
2PCS		2PCS	

STEP 12:



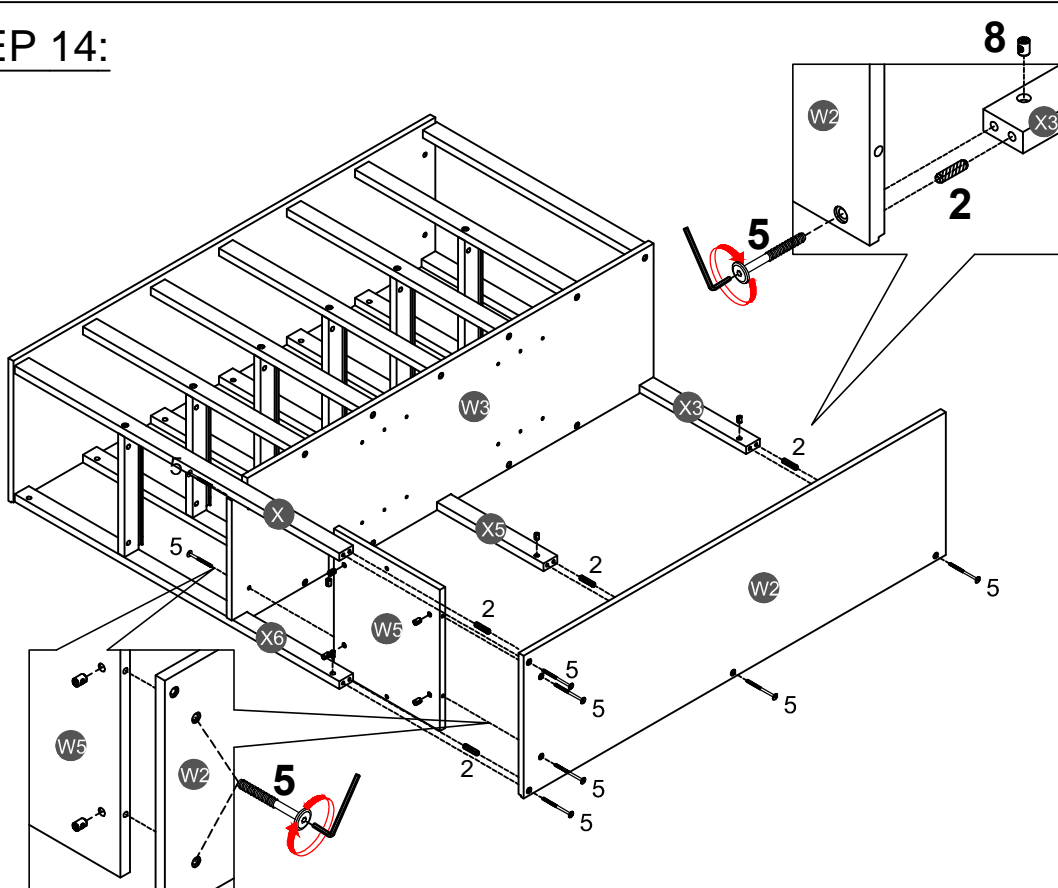
5		8	
2PCS		2PCS	

STEP 13:



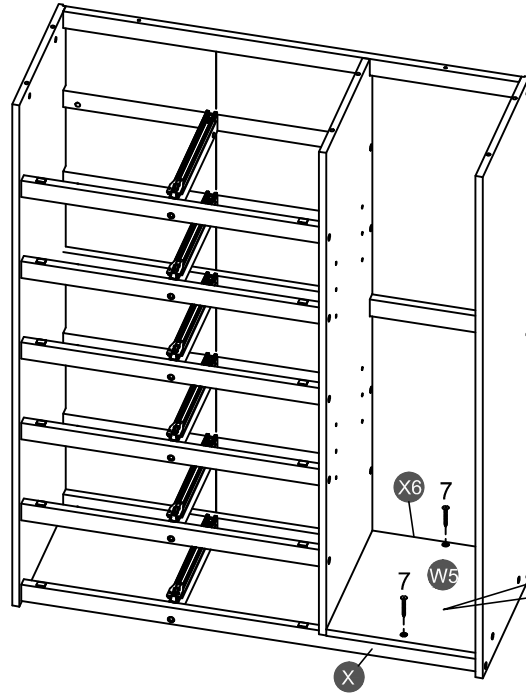
2	
24PCS	
5	
24PCS	
8	
24PCS	

STEP 14:



2	
4PCS	
5	
8PCS	
8	
8PCS	

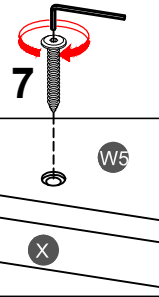
STEP 15:



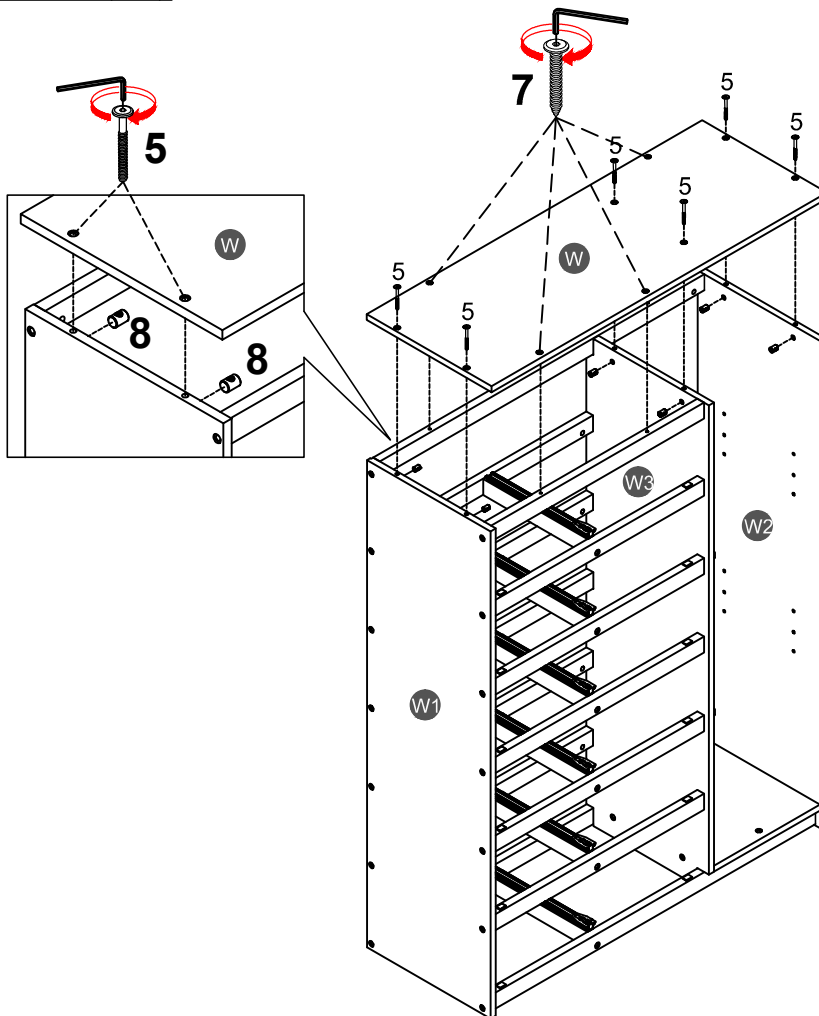
7



2PCS



STEP 16:



5



6PCS

8



6PCS

7



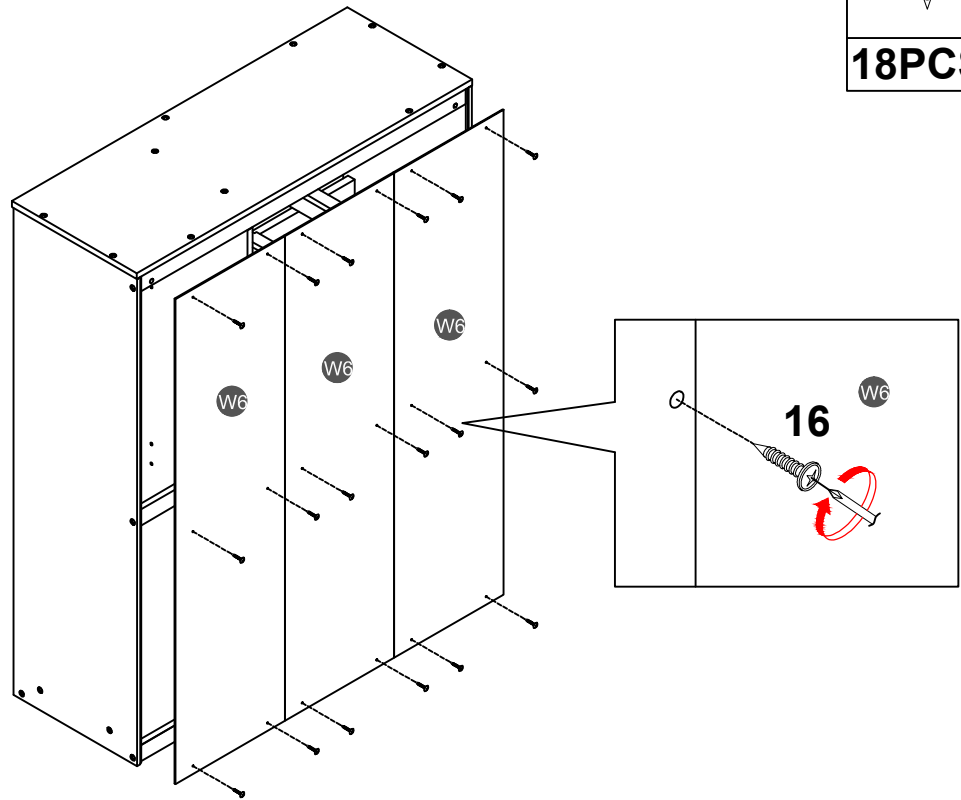
4PCS

STEP 17:

16



18PCS

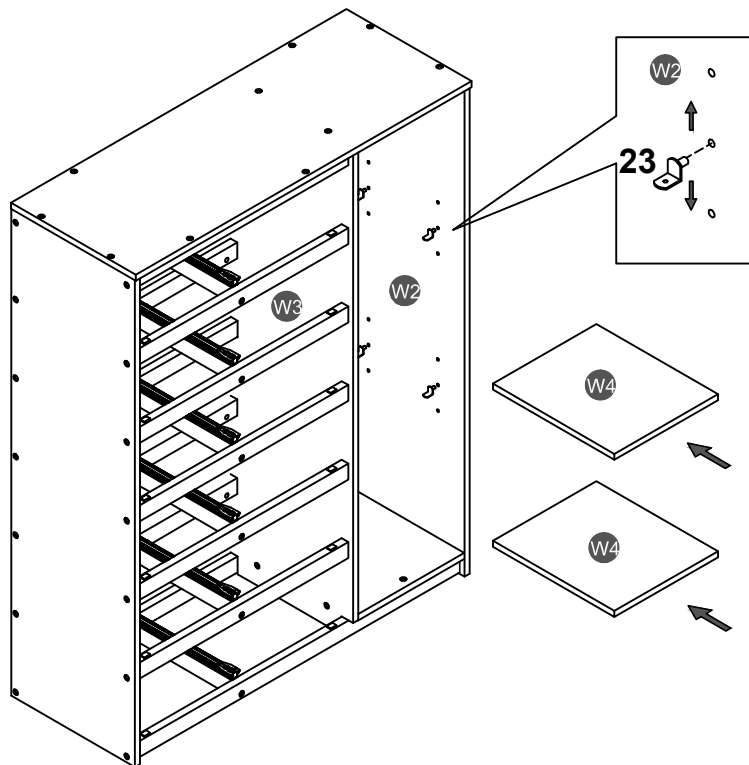


STEP 18:

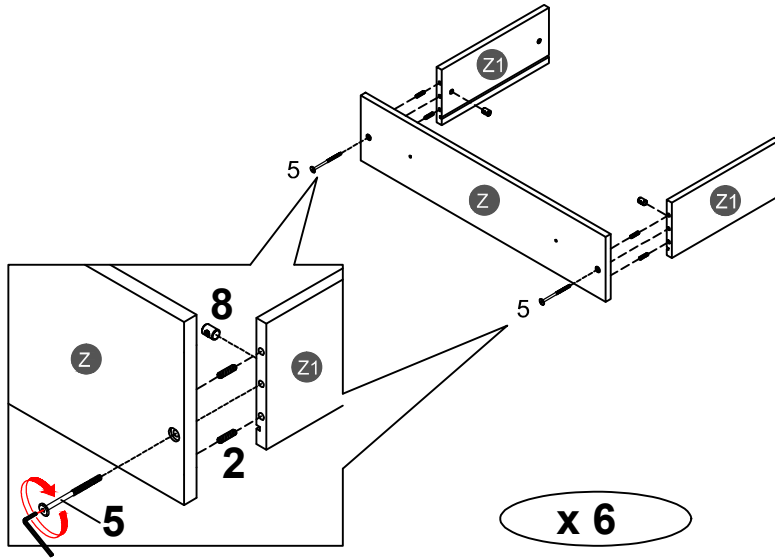
23






8PCS



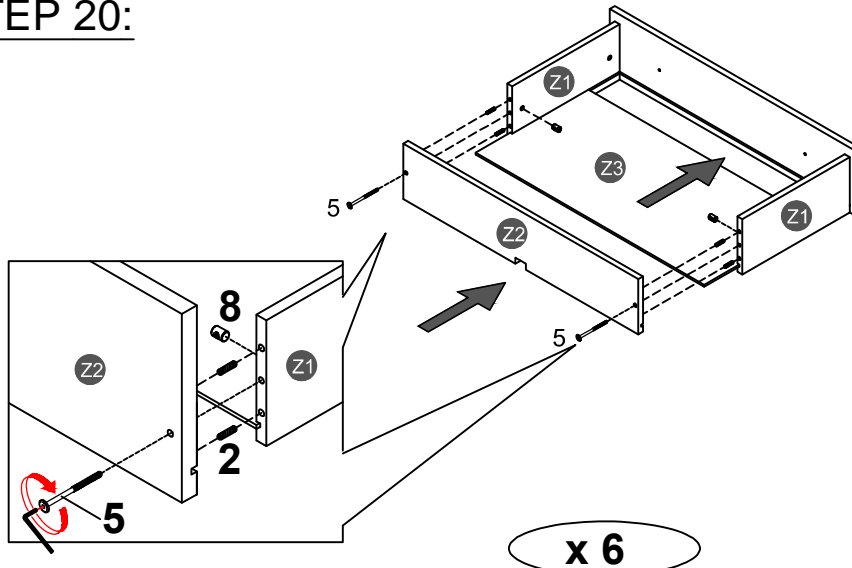
STEP 19:






x 6

2		5	
24PCS		12PCS	
		8	
		12PCS	

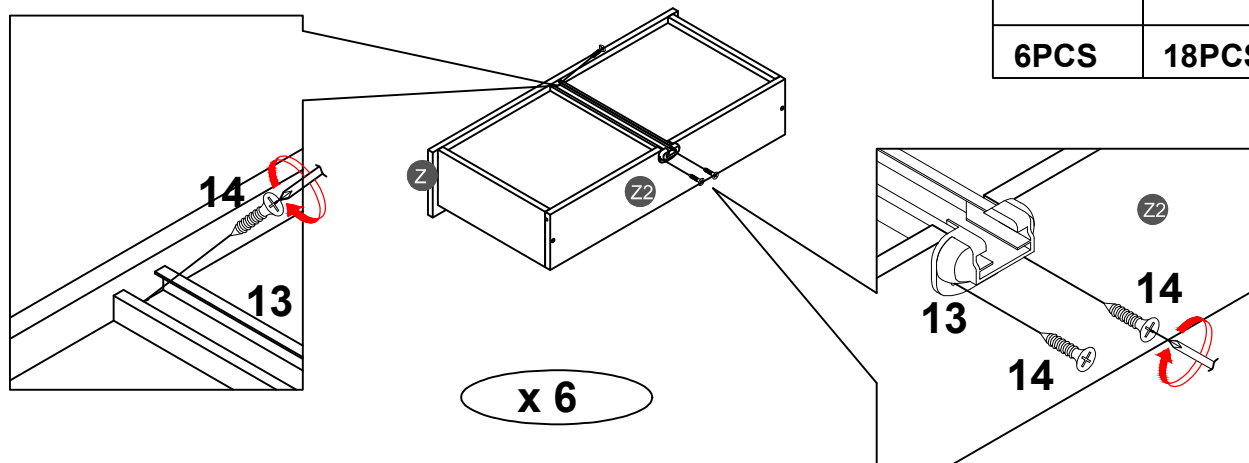
STEP 20:





x 6

2		5	
24PCS		12PCS	
		8	
		12PCS	

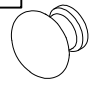
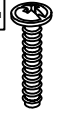
STEP 21:

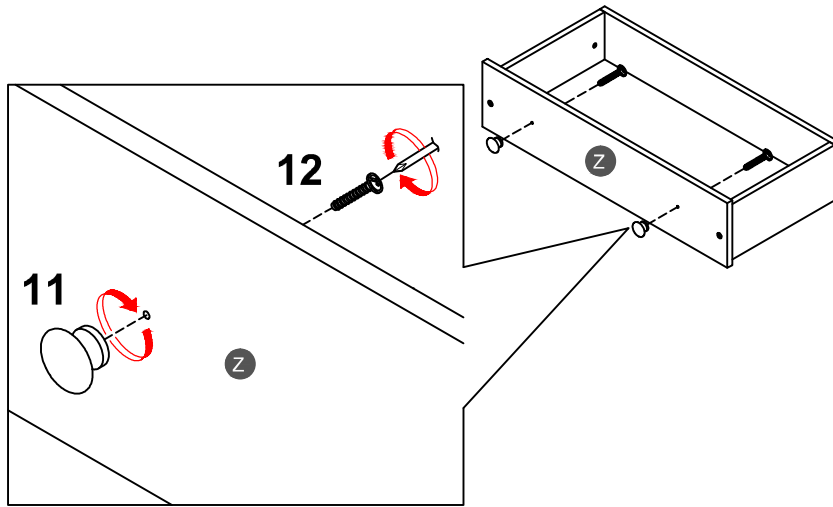


x 6

13		14	
6PCS		18PCS	

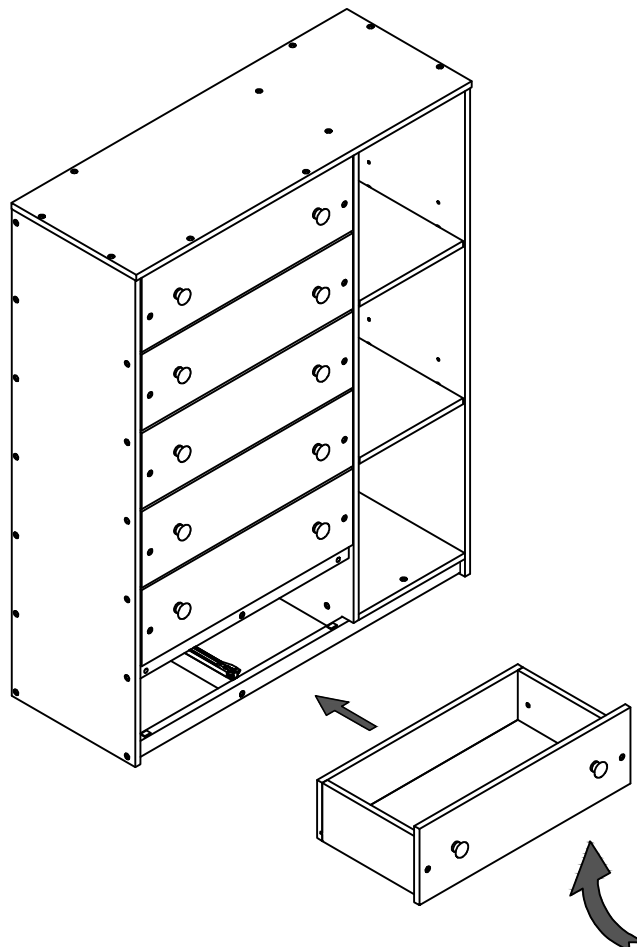
STEP 22:

11		12	
12PCS		12PCS	

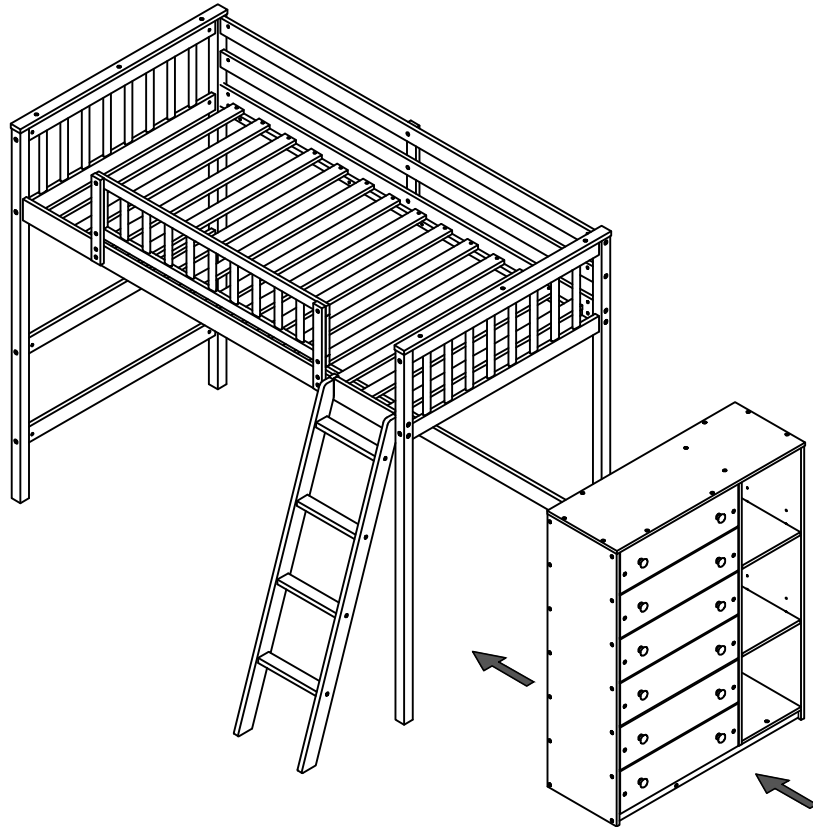


x 6


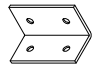
STEP 23:

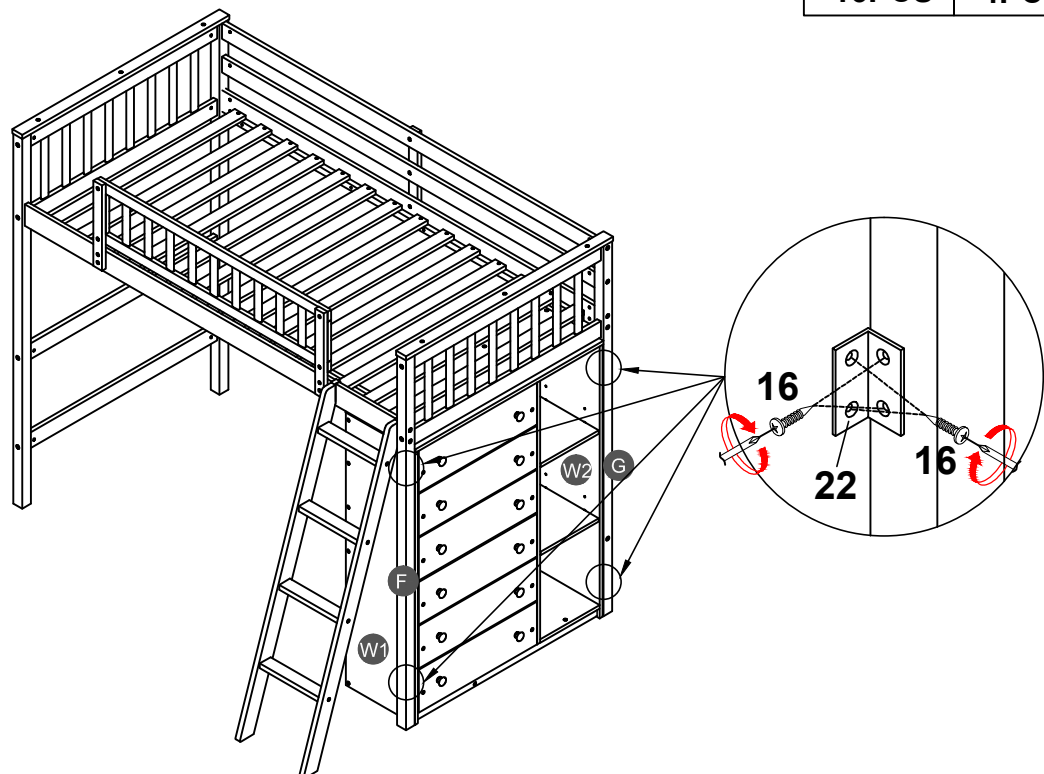


STEP 24:





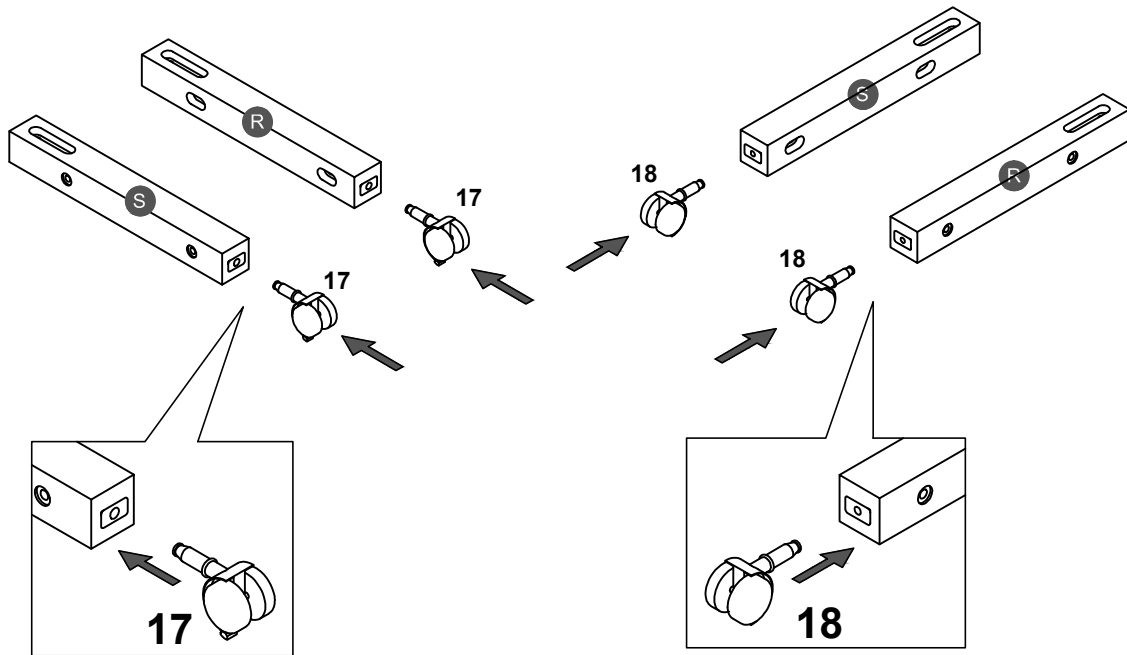
STEP 25:

16		22	
16PCS		4PCS	





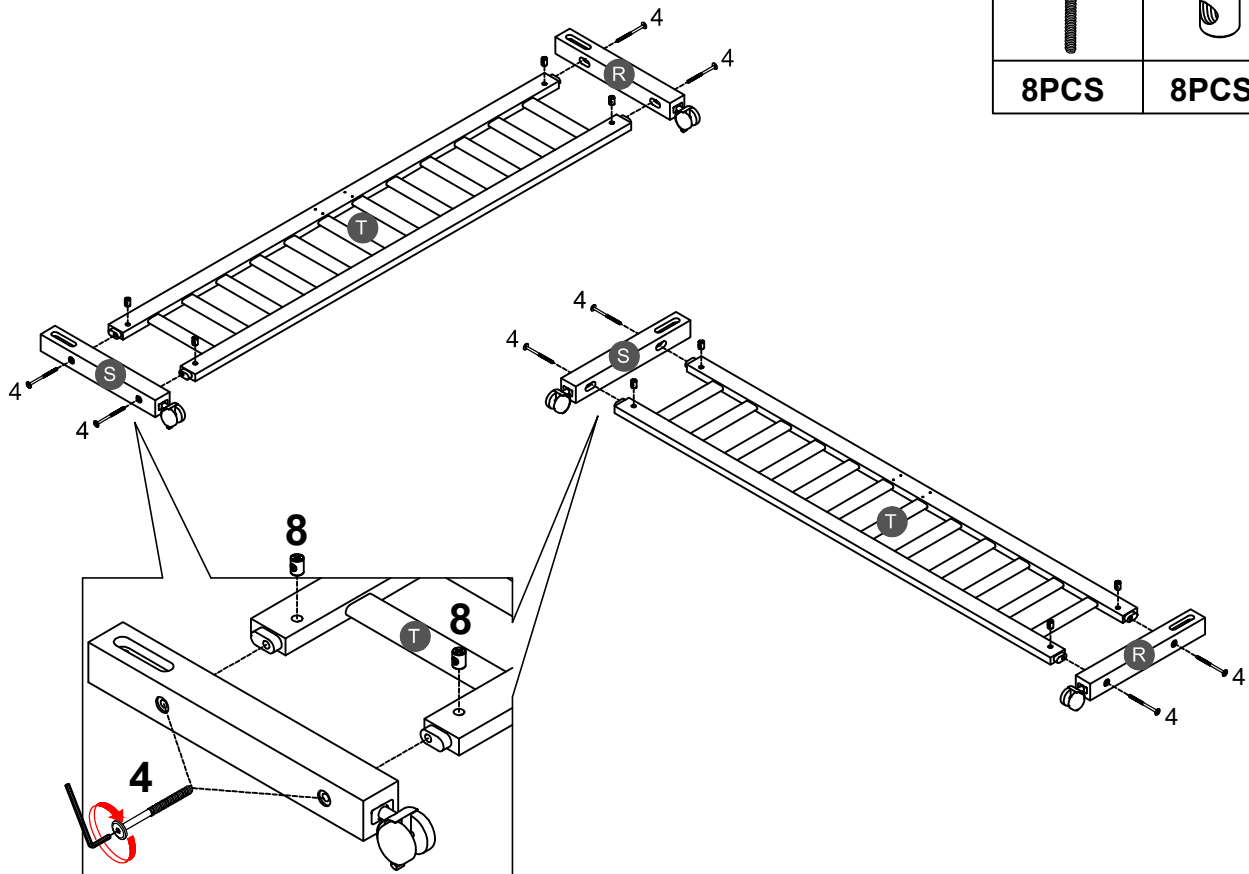
STEP 26:

17 	18 
2PCS	2PCS


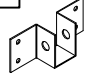


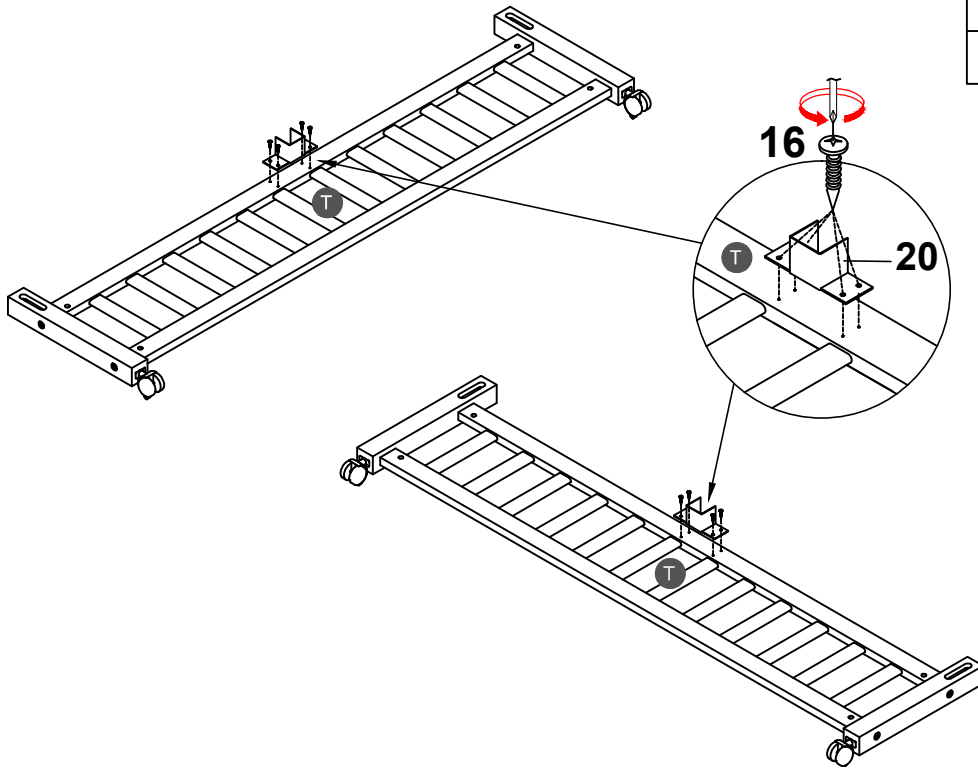
STEP 27:

4 	8 
8PCS	8PCS





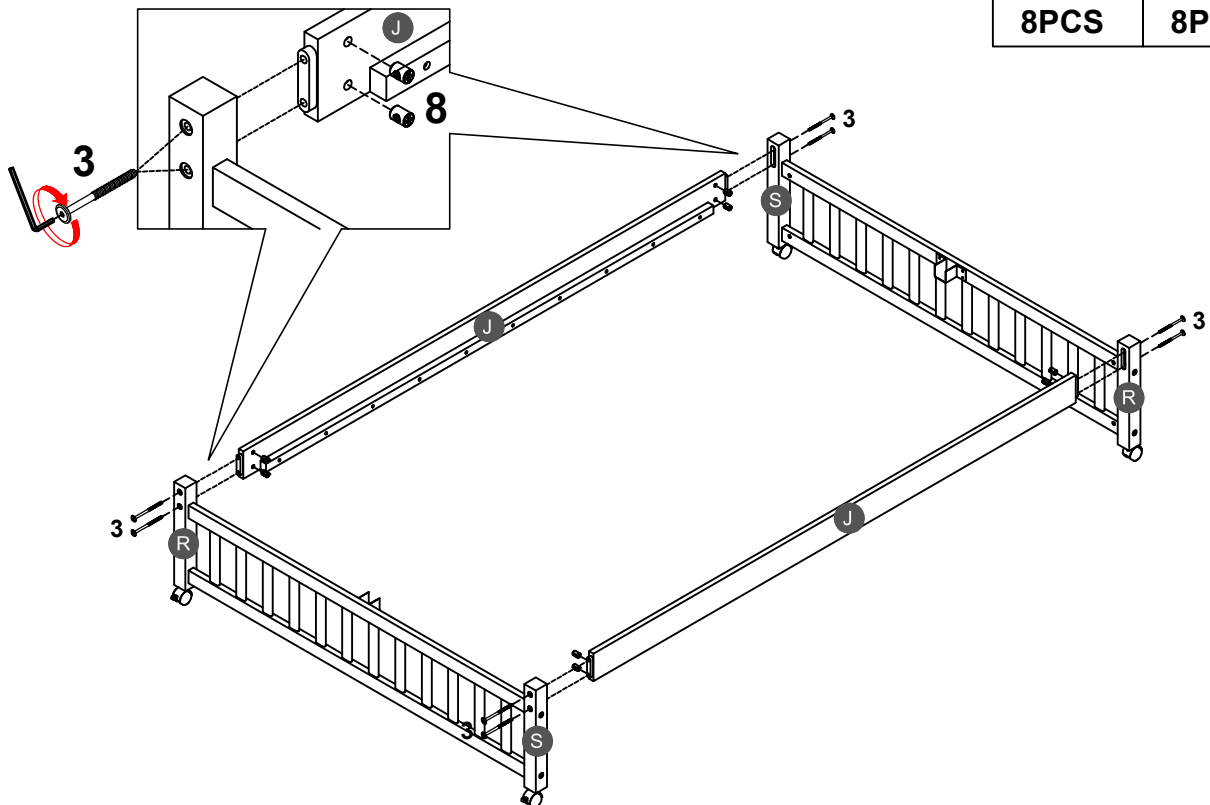
STEP 28:

16		20	
8PCS		2PCS	

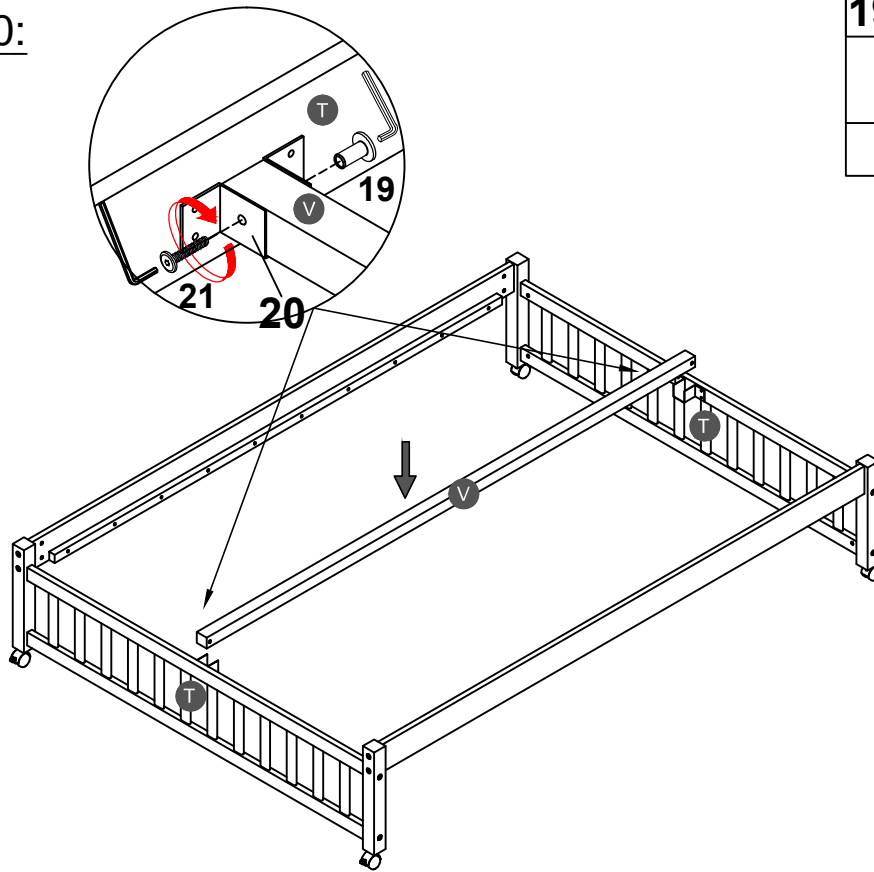


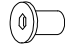
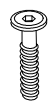
STEP 29:

3		8	
8PCS		8PCS	

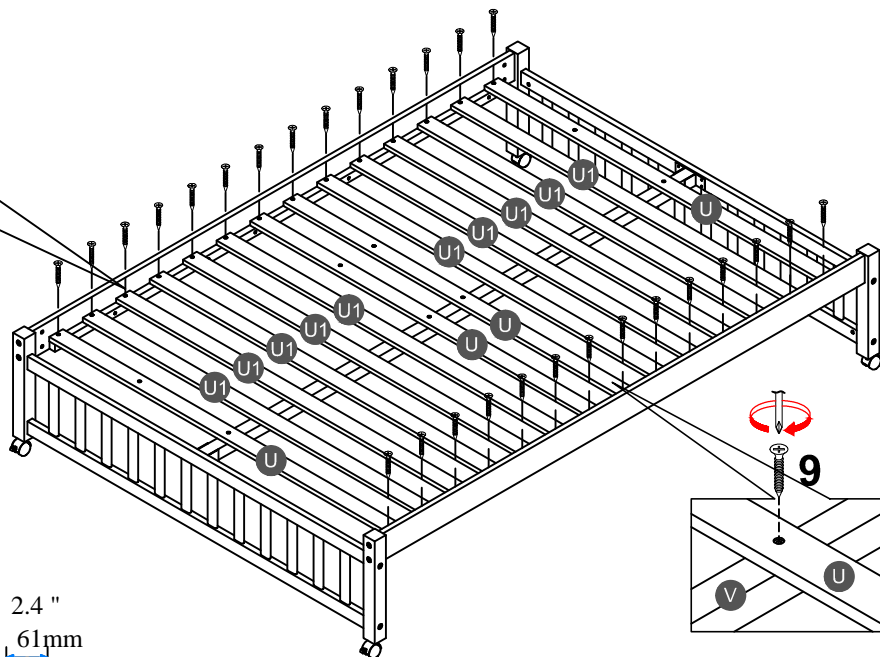
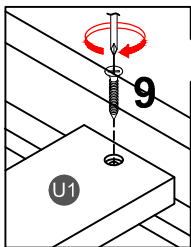



STEP 30:



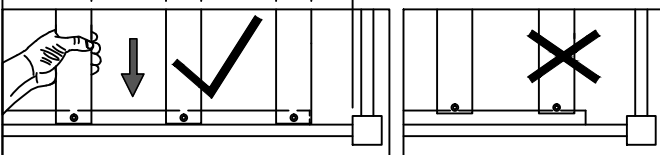
19	21
	
2PCS	2PCS

STEP 31:



9

32PCS

3.1 " 3.3 " 2.4 "
79mm 84.5mm 61mm



Note: Do not lock the screws of the bed slats to the outermost edge of the bed slats, you need to leave a certain space at the edges, otherwise it will cause the board to break. Do not lock the bed slats on the edge of the wood, please hold firmly before screwing, hold it in place with one hand, then lock the screw.

STEP 32:

