










Assembly Instructions

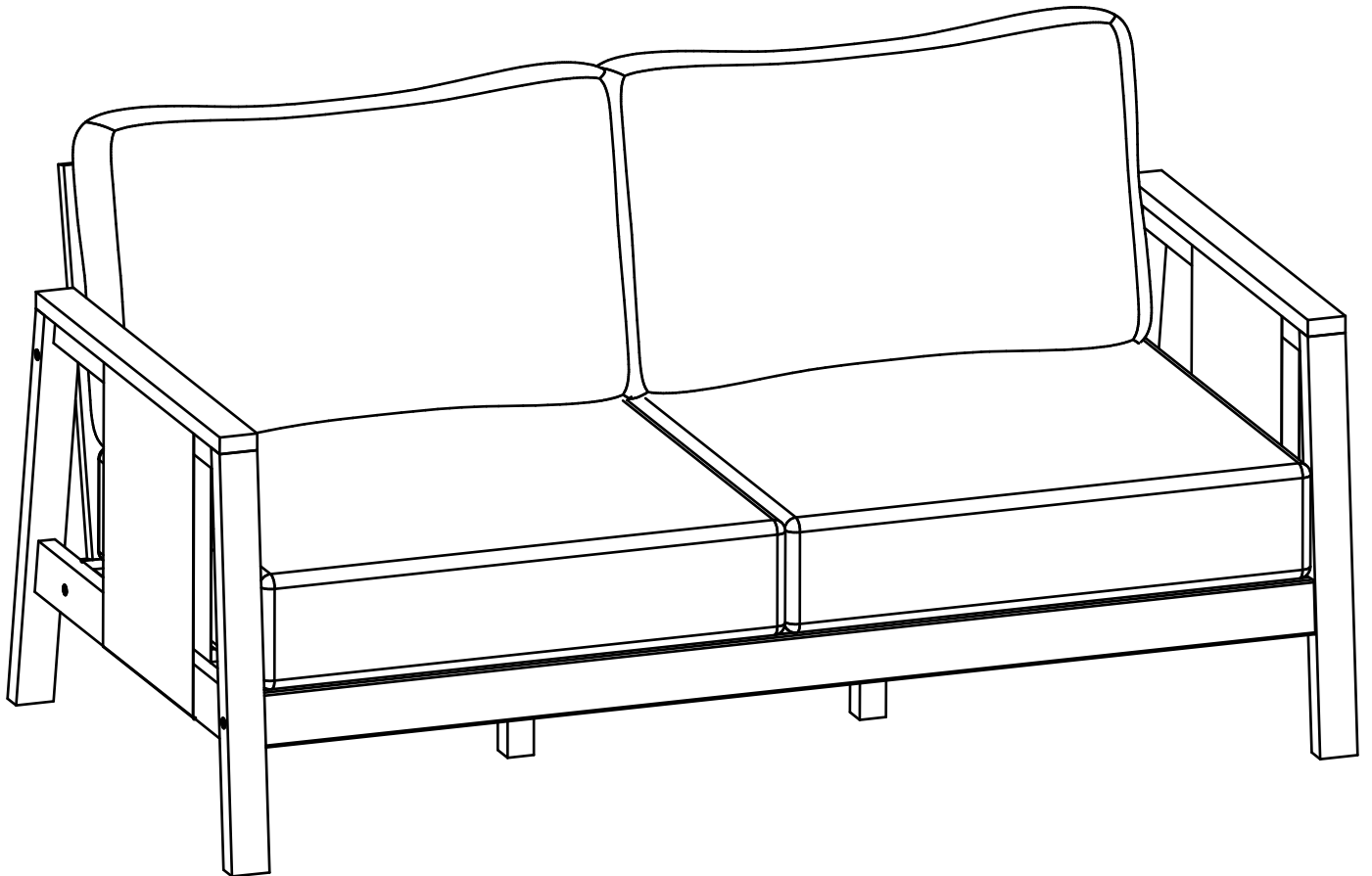
Caution : You must read this before you proceed .

Care & Maintenance

- ⊘  Not for commercial use. For residential use only.
- ⊘  Do not put hot items directly on furniture surface.
- ⊘  Do not clean furniture with harsh cleansers or polish.
- ✓  To obtain the longest lifespan of your outdoor products, minimizing exposure to direct sunlight is recommended.
- ⊘  Children should not climb or jump on the furniture.
- ⊘  Do not write on furniture without a padded barrier to protect the surface.
- ✓  To obtain the longest lifespan of your outdoor products, avoid extended and lengthy exposure to rain, snow, and direct sunshine. Whenever possible cover the product and /or place under patio or awnings.
- ⊘  Stains may be removed with mild soap solution and damp cloth.
- ✓  Dust and pick-up spills using a clean, non-colored, lint-free cloth.

Please look in the leg panel for hardware packs.

LOVESEAT

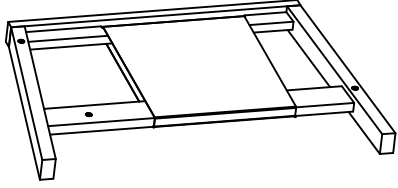
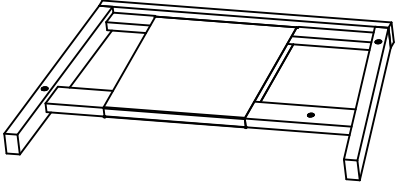
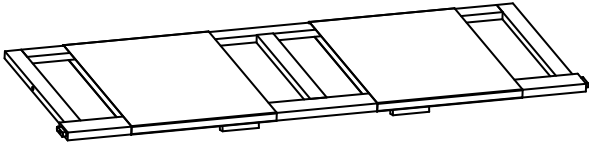

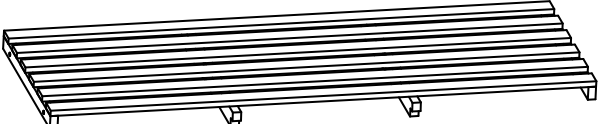
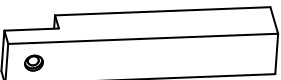




Caution: This Loveseat is NOT a TOY.





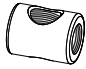
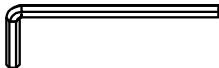
Keep your child / children at bay during the assembly process.

Whenever lifting or moving the Loveseat and to prevent damage to the Loveseat, two adults may be needed to execute these actions.

Parts List

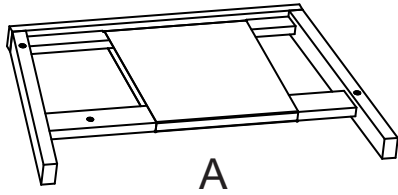
| Label | Picture | Descripton | QTY |
|-------|---|-----------------|-----|
| A |  A perspective drawing of a rectangular wooden frame component, the left leg panel, with a central slot and a small circular hole on the side. | Left Leg Panel | 1 |
| B |  A perspective drawing of a rectangular wooden frame component, the right leg panel, which is a mirror image of the left leg panel. | Right Leg Panel | 1 |
| C |  A perspective drawing of a long, narrow wooden panel with a central section and two side sections, the backrest panel. | Backrest Panel | 1 |
| D |  A perspective drawing of a long, narrow wooden bar with a small notch in the center, the front seat bar. | Front Seat Bar | 1 |
| E |  A perspective drawing of a long, narrow wooden panel with multiple parallel slats and small feet at the ends, the seat panel. | Seat Panel | 1 |
| F |  A perspective drawing of a small, rectangular wooden block with a circular hole on one side, the support leg. | Support Leg | 2 |
| G |  A perspective drawing of a rectangular, padded cushion with rounded corners, the back cushion. | Back Cushion | 2 |
| H |  A perspective drawing of a rectangular, padded cushion with rounded corners, the seat cushion. | Seat Cushion | 2 |

Hardware

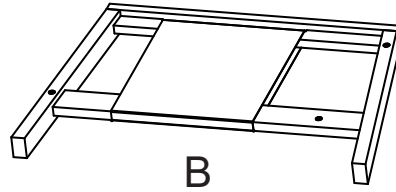
| Label | Picture | Descripton | QTY |
|-------|---|-----------------------|-----|
| ① |  | Bolt (M6x80mm) | 3 |
| ② |  | Bolt (M6x60mm) | 3 |
| ③ |  | Bolt (M6x30mm) | 7 |
| ④ |  | Screw (M6x65mm) | 3 |
| ⑤ |  | Cross Nut (6x13mm) | 3 |
| ⑥ |  | Allen Wrench | 1 |

Assembly Preparation

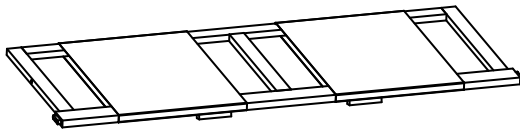
Before Beginning Assembly:



A



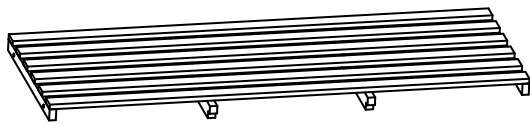
B



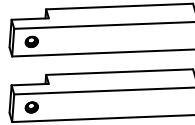
C



D



E



F



① x3



② x3



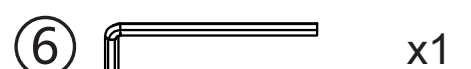
③ x7



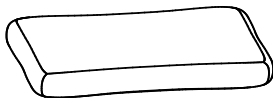
④ x3



⑤ x3



⑥ x1



G



H



- Read instructions, cover to cover-



- Have 2 adults on hand for assembly-



- Do not assemble on flooring or carpet-



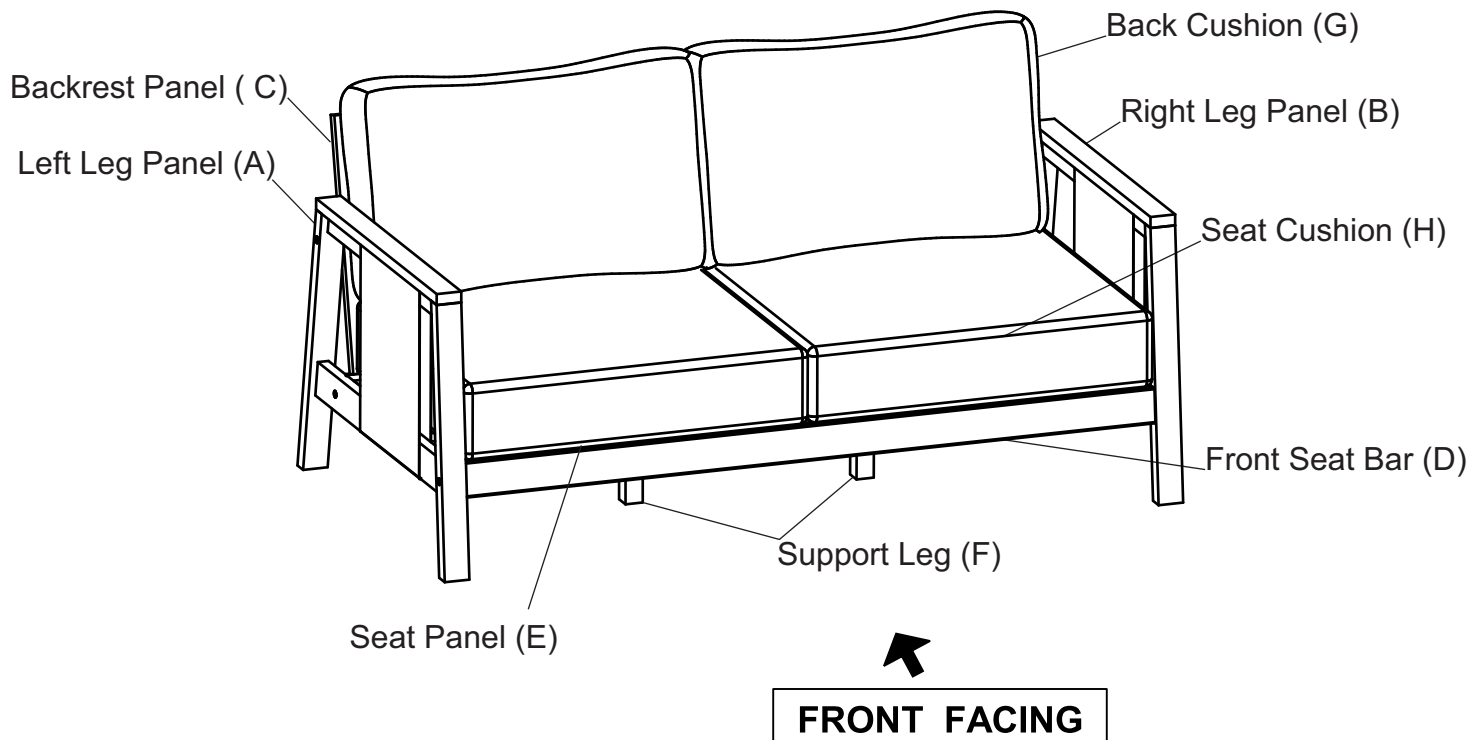
- Assemble on a clean non-marring surface (packing foam)-



- Save all packaging until finished-

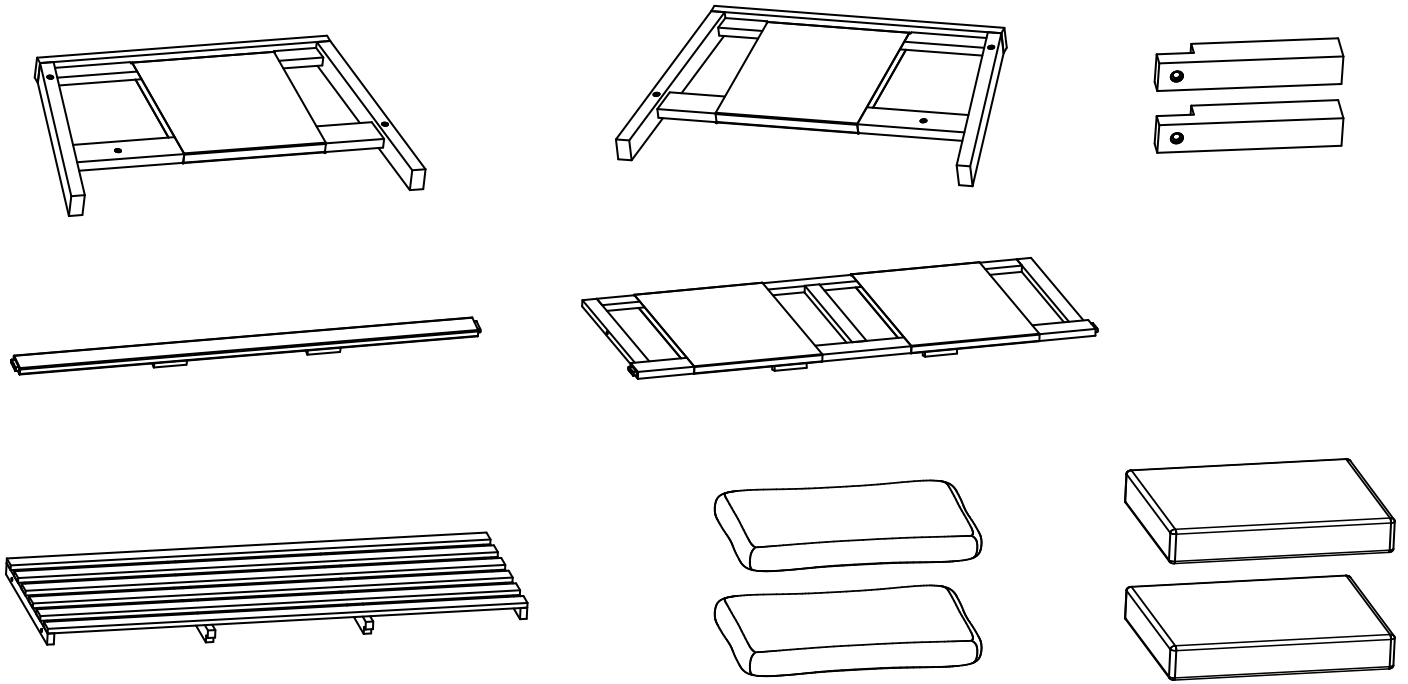
Assembly Steps

Overview



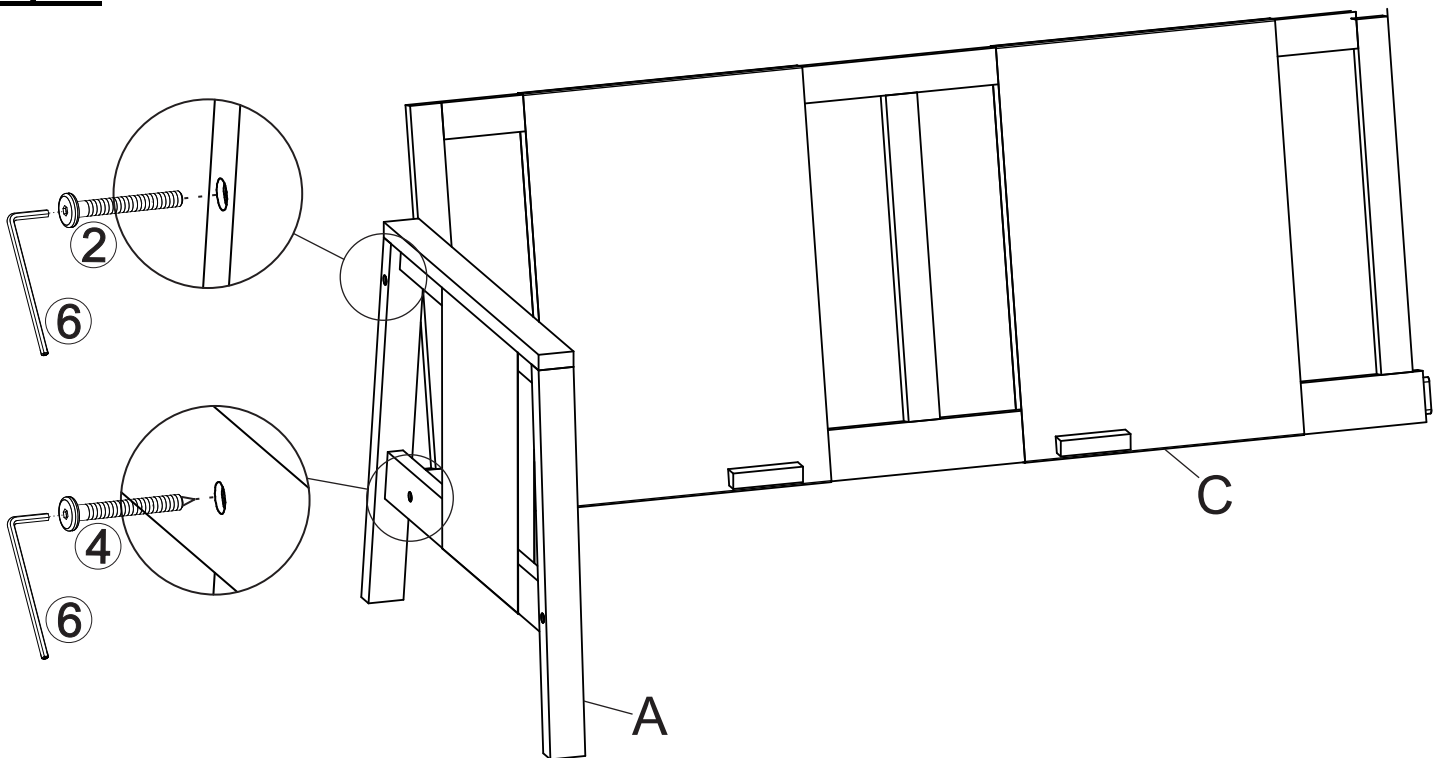
This Loveseat has multiple parts and may require up to 30 minutes to assemble. To give you an overview of the Loveseat parts, the above picture is to help you put the various parts into perspective. Please read through the instructions below to familiarise yourself with the parts and steps before assembly.

Step 1:



Unpack and place all parts on a clean, non-marring surface.

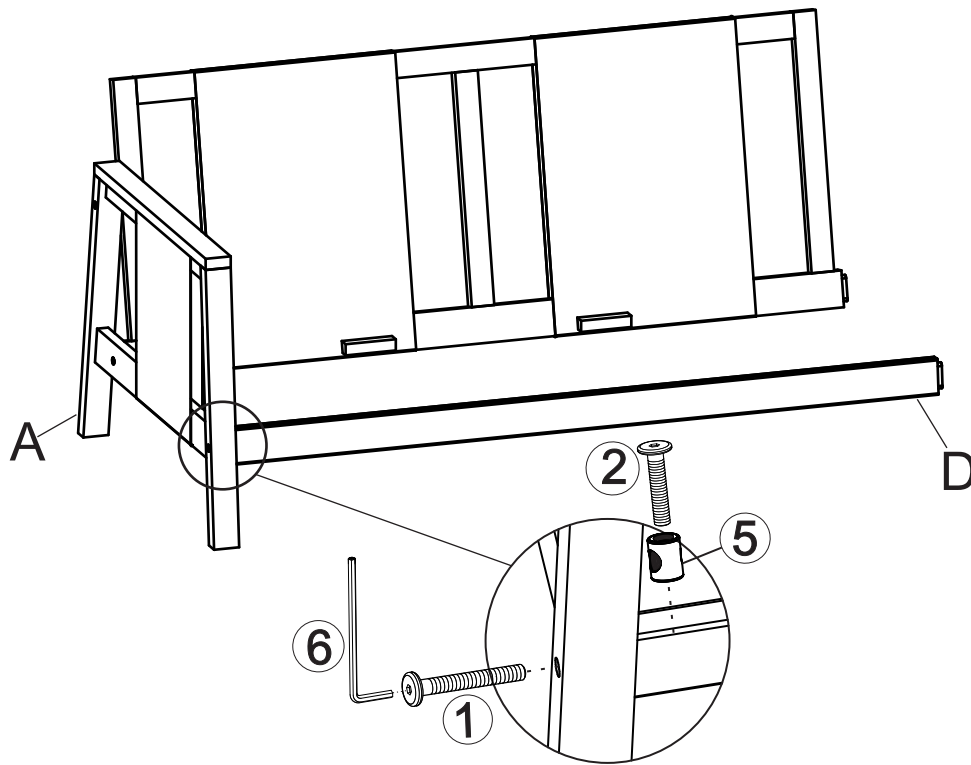
Step 2:



With assistance from your adult partner, attach the Left Leg Panel (A) to the Backrest Panel (C) using Bolts (②), Screws (④) and Allen Wrench (⑥) as shown in picture above.

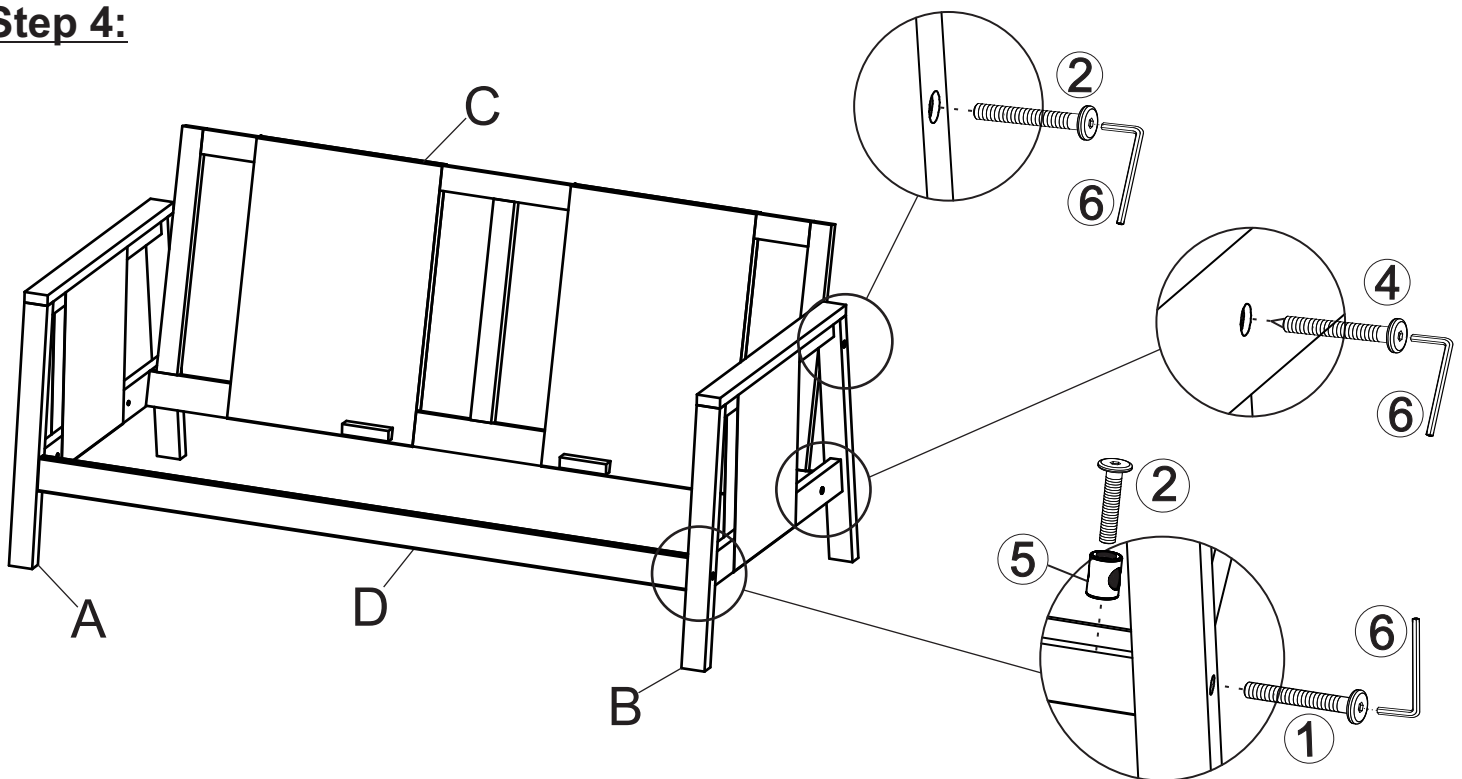
DO NOT fully tighten the Bolts.

Step 3:



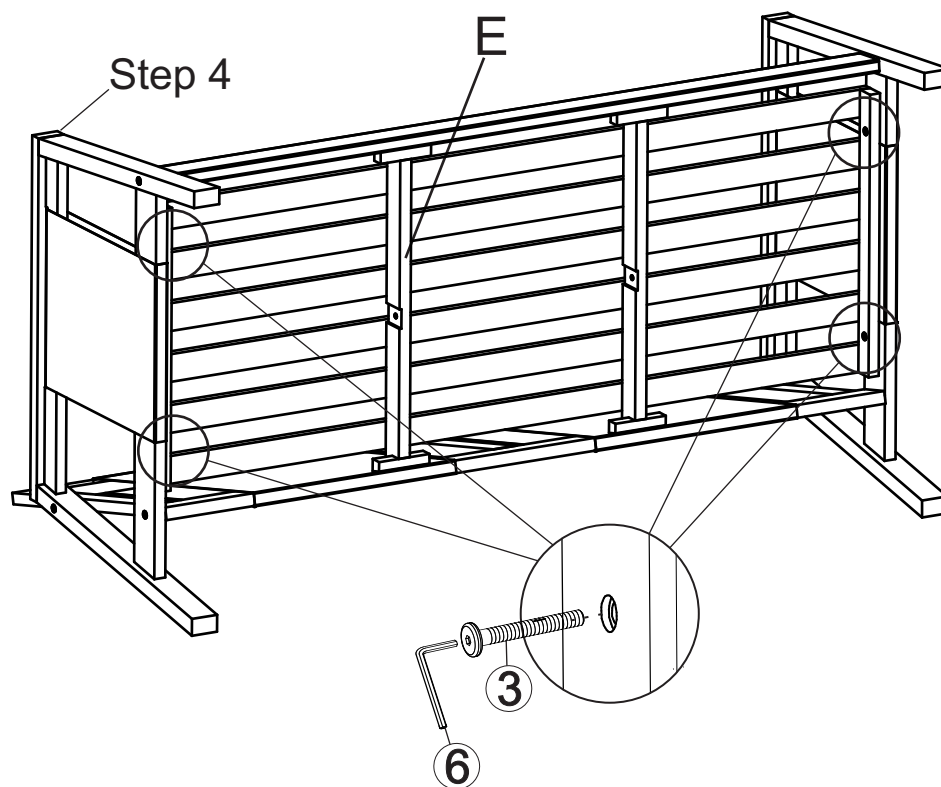
With assistance from your adult partner, attach the Front Seat Bar (D) to the Left Leg Panel (A) using Bolts (①), Bolts (②), Cross Nut (⑤) and Allen Wrench (⑥) as shown in picture above.
DO NOT fully tighten the Bolts.

Step 4:



With assistance from your adult partner, attach the Right Leg Panel (B) to the Front Seat Bar (D) and the Backrest Panel (C) using Bolts (①), Bolts (②), Cross Nut (⑤), Screws (④) and Allen Wrench (⑥) as shown in picture above.
DO NOT fully tighten the Bolts.

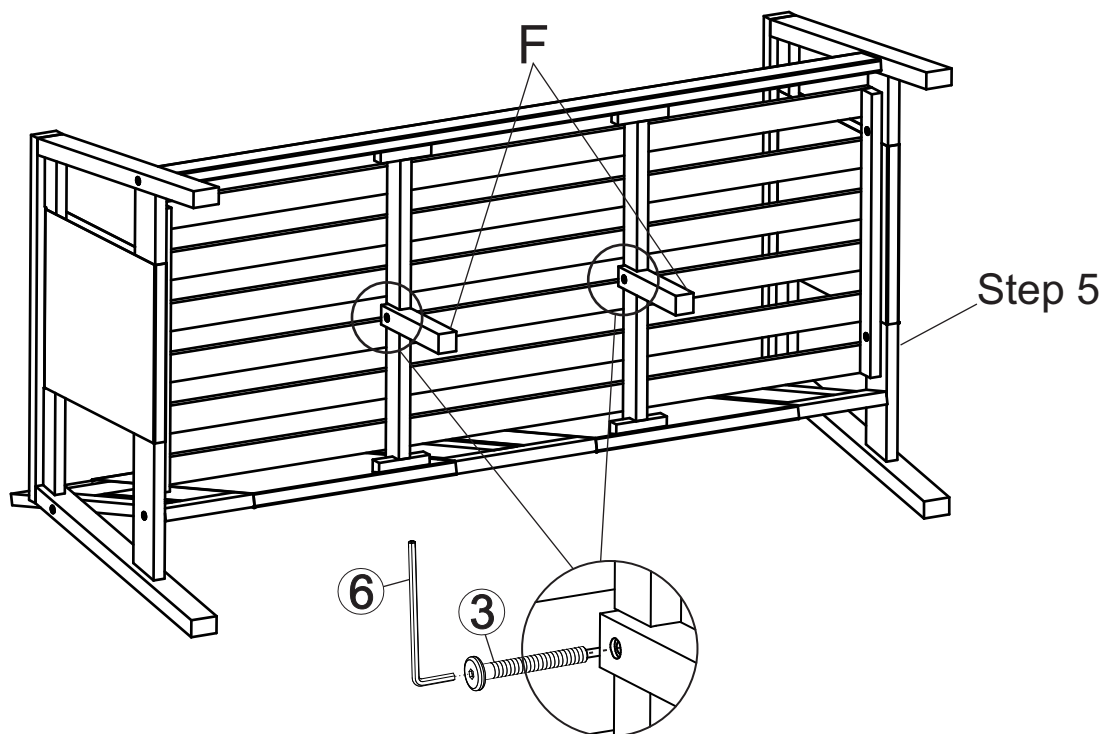
Step 5:



With assistance from your adult partner, attach the Seat Panel (E) to assembled part in Step 4 using Bolts (3) and Allen Wrench (6) as shown in picture above.

DO NOT fully tighten the Bolts.

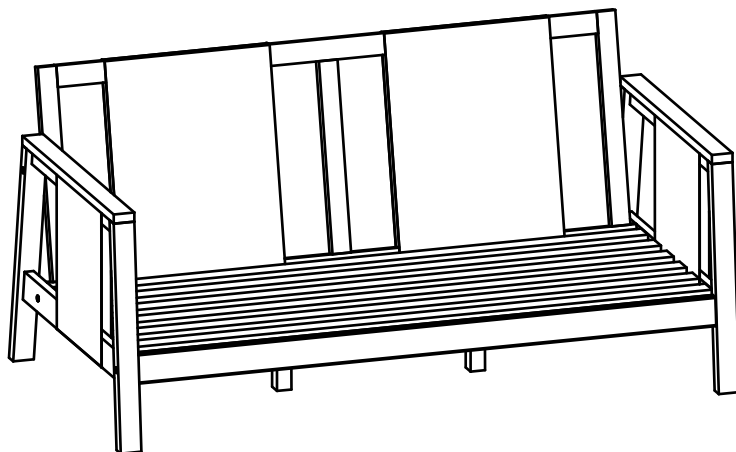
Step 6:



With assistance from your adult partner, attach the Support Leg (F) to Seat Panel (E) using Bolts (3) and Allen Wrench (6) as shown in picture above.

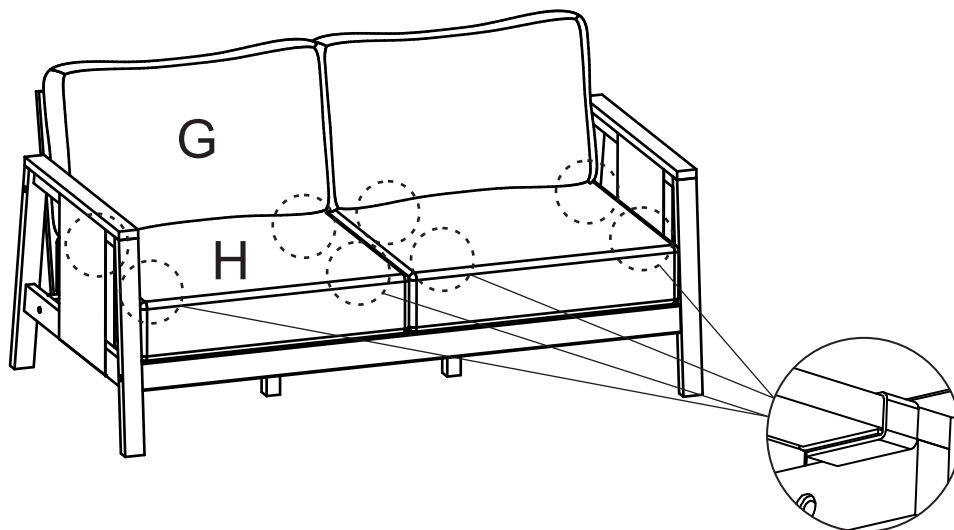
DO NOT fully tighten the Bolts.

Step 7:



With assistance from your adult partner, stand the Loveseat up. Inspect it and make sure all parts are adequately connected. Gently and gracefully, sit onto the Loveseat. This will help to align all the parts at all joint areas. Then get off the Loveseat and proceed to tighten the Bolts and Screws in a sequential manner. When tightening the Bolts, Screws, please tighten sequentially. **DO NOT tighten any Bolts, Screws fully and then move on towards the next one.** If there are still wobbles, loosen the Bolts, Screws and execute this same process.

Step 8:



Put Seat Cushion (H) onto the Seat Panel (E)
Tie the magic tapes of Seat Cushion (H) to the slat of Seat Panel (E)
Put Back Cushion (G) onto the Seat Panel (E)
Your Loveseat is ready for use.
This Loveseat can only be used on a flat, level surface.