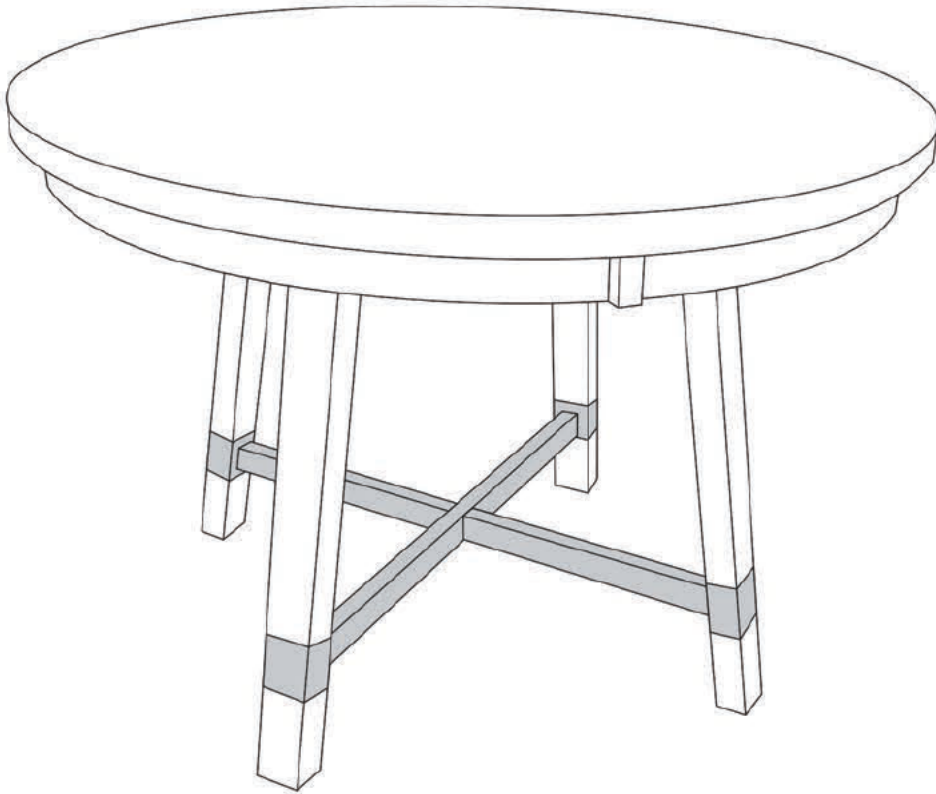


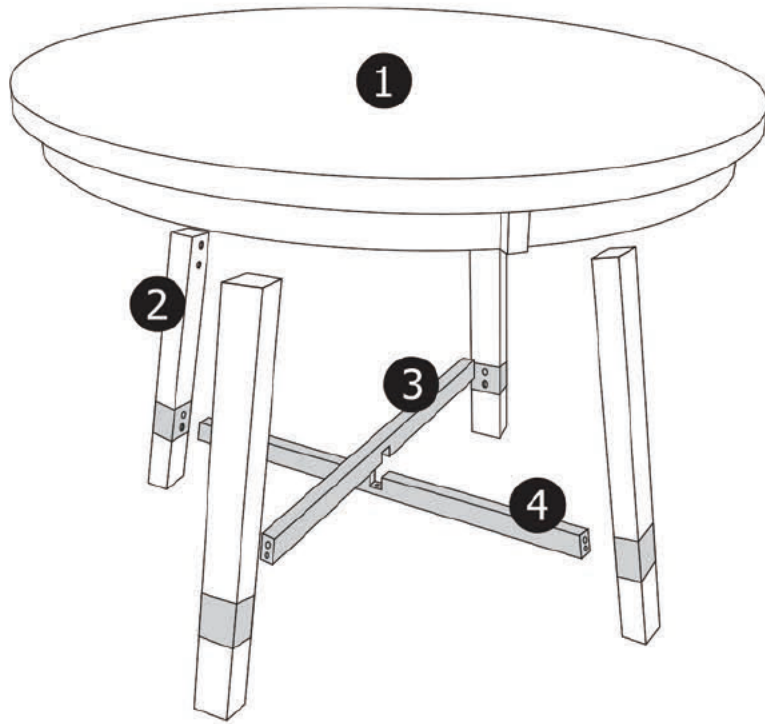
ASSEMBLY INSTRUCTIONS

DINING TABLE



IMPORTANT NOTE:

- PLACE ALL PARTS ON A CLEAN AND SMOOTH SURFACE SUCH AS A RUG OR CARPET TO AVOID THE PARTS FROM BEING SCRATCHED.
- BEFORE YOU BEGIN, KINDLY FOLLOW THE ASSEMBLY INSTRUCTIONS STEP BY STEP.
- DO NOT TIGHTEN ALL SCREWS AND BOLTS UNTIL THE TABLE IS FULLY SET-UP.



CARTON CONTENT:

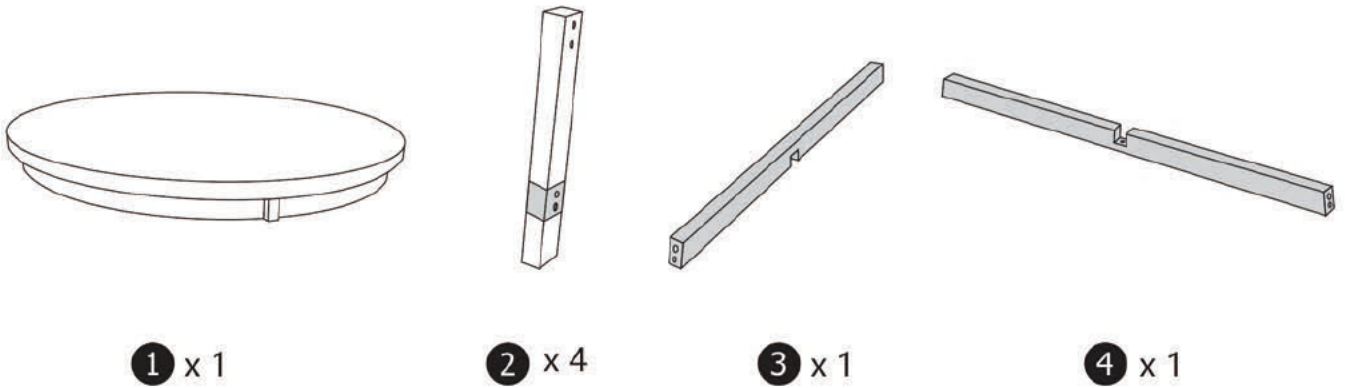


TABLE PART LISTS			
NO.	DESCRIPTION	SKETCH	QTY
1	TABLE TOP		1PC
2	LEG		4PCS
3	UPPER STRETCHER		1PC
4	BOTTOM STRETCHER		1PC

TABLE HARDWARE LISTS			
NO.	DESCRIPTION	SKETCH	QTY
A	JCBC SCREW M6 X 60MM		12PCS
B	JCBC SCREW M6 X 30MM		1PC
C	SPRING WASHER M6 X 18MM		8PCS
D	FLAT WASHER M6 X 18MM		8PCS
E	SPRING WASHER M6 X 13MM		1PC
F	FLAT WASHER M6 X 13MM		1PC
G	WOOD DOWEL 12 X 40MM		4PCS
H	LEG ADJUSTER		4PCS
I	ALLEN KEY M4 X 65		1PC

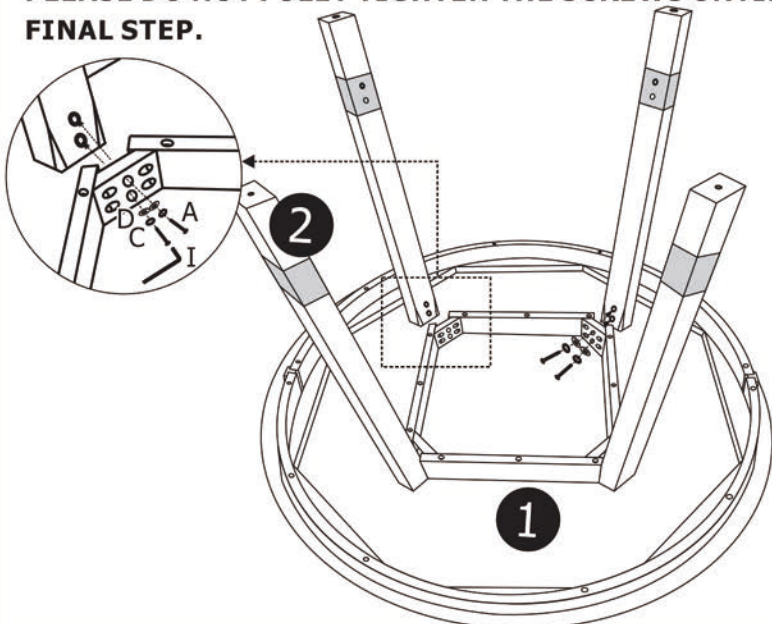
STEP 1

Place the Table Top (1) on a flat & soft surface to prevent scratches.

Then, attach the Leg (2) to the Table Top (1).

Secure the 4 legs using JCBC screw M6 x 60mm (A), spring washer (C) & flat washer (D). Tighten up with Allen Key (I).

PLEASE DO NOT FULLY TIGHTEN THE SCREWS UNTIL FINAL STEP.



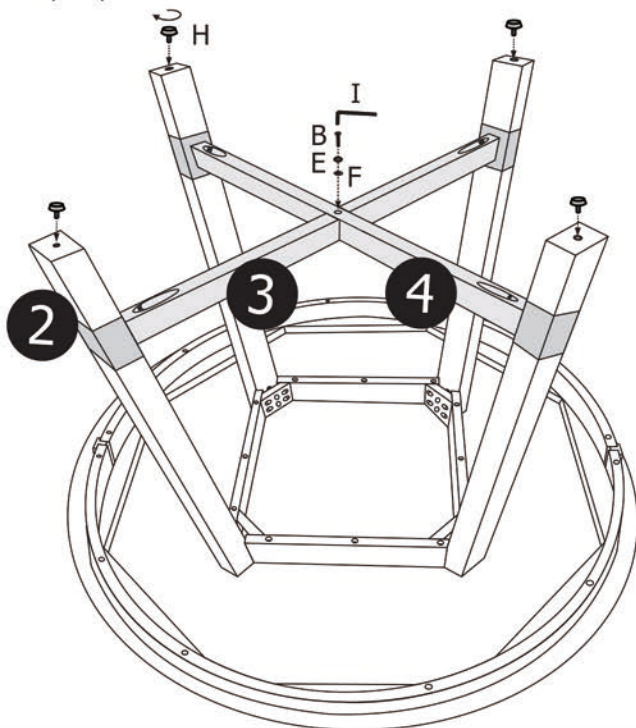
STEP 4

Secure the center of the two Stretcher (3 & 4) using JCBC screw M6 x 30mm(B), Spring washer (E) & Flat washer (F). Tighten up with Allen Key (I).

FULLY TIGHTEN UP ALL THE SCREWS AT THIS TIME.

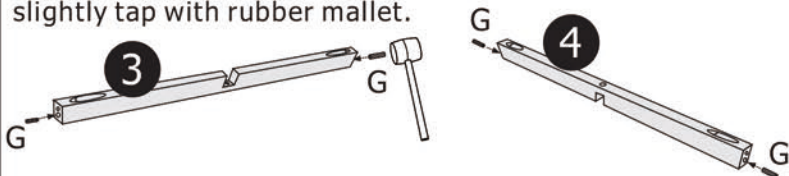
Finally, fix the Leg adjuster (H) to the Leg Frame (2) and twist it to balance the leg frame to the floor.

Turn the table back onto its legs - You will need two people to do this.



STEP 2

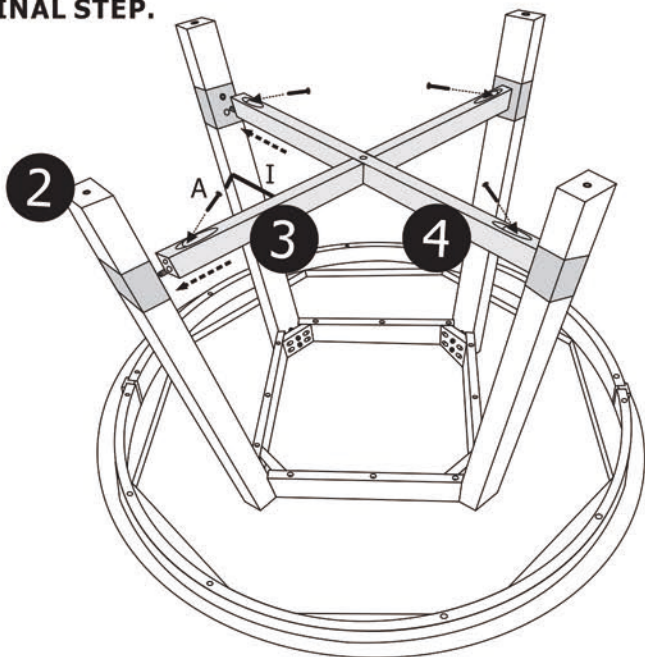
Insert the wooden dowel (G) to the Stretcher (3 & 4) and slightly tap with rubber mallet.



STEP 3

Attach the Stretcher (3 & 4) to the assembled Leg (2) using JCBC screw M6 x 60mm(A). Tighten up with Allen Key (I).

PLEASE DO NOT FULLY TIGHTEN THE SCREWS UNTIL FINAL STEP.

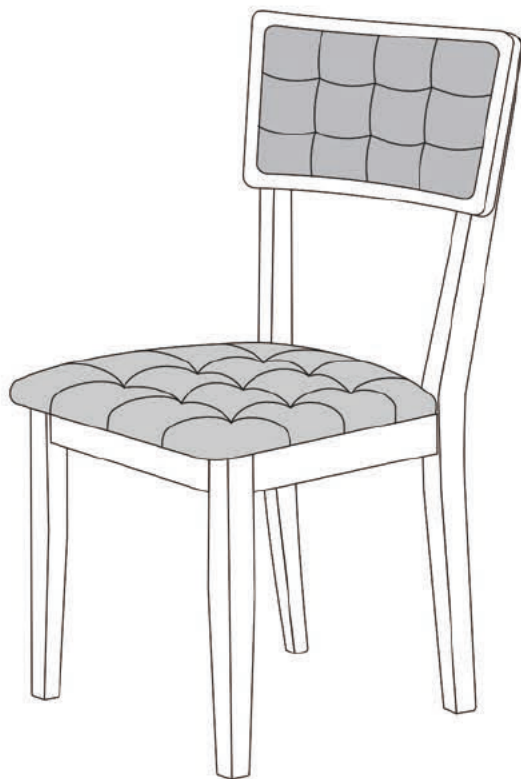


ASSEMBLY COMPLETE!



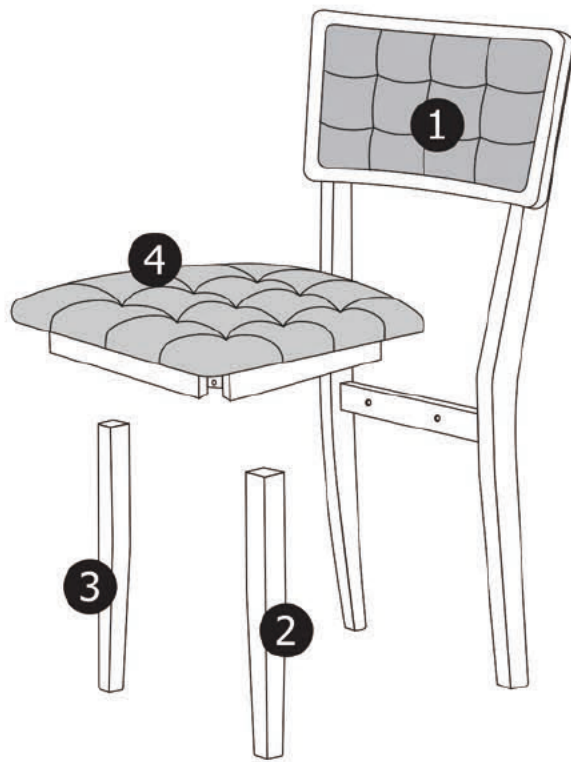
ASSEMBLY INSTRUCTIONS

DINING CHAIR

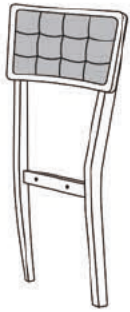


IMPORTANT NOTE:

- PLACE ALL PARTS ON A CLEAN AND SMOOTH SURFACE SUCH AS A RUG OR CARPET TO AVOID THE PARTS FROM BEING SCRATCHED.
- BEFORE YOU BEGIN, KINDLY FOLLOW THE ASSEMBLY INSTRUCTIONS STEP BY STEP.
- DO NOT TIGHTEN ALL SCREWS AND BOLTS UNTIL THE CHAIR IS FULLY SET-UP.



CARTON CONTENT:



1 x 4



2 x 4



3 x 4



4 x 4

CHAIR PART LISTS

NO.	DESCRIPTION	SKETCH	QTY
1	CHAIR BACK		4PCS
2	FRONT LEG (R)		4PCS
3	FRONT LEG (L)		4PCS
4	BOX SEAT		4PCS

CHAIR HARDWARE LISTS

NO.	DESCRIPTION	SKETCH	QTY
A	JCBC SCREW M6 X 70MM		16PCS
B	JCBC SCREW M6 X 60MM		16PCS
C	JCBC SCREW M6 X 35MM		8PCS
D	SPRING WASHER M6 X 13.5MM		40PCS
E	FLAT WASHER M6 X 18MM		40PCS
F	ALLEN KEY M4 X 25 X 65		1PC

STEP 1

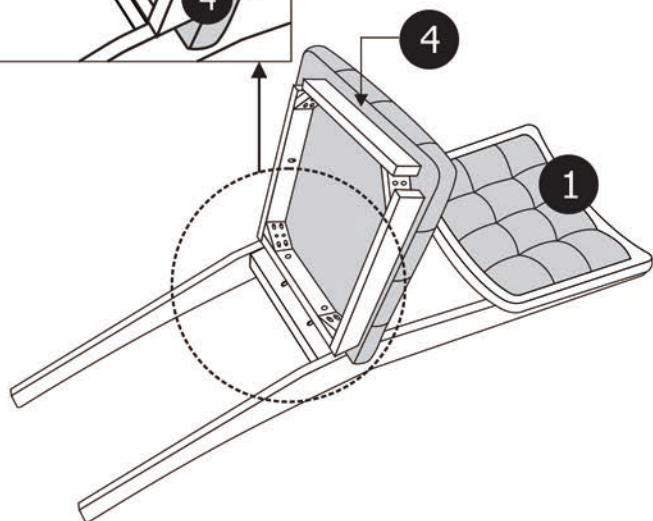
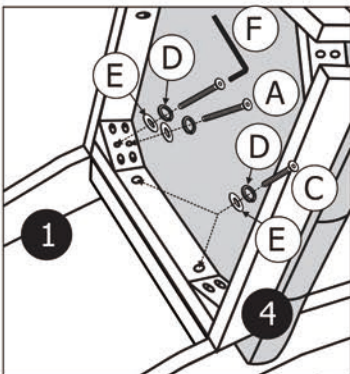
Place the Chair Back(1) on a flat & soft surface to prevent scratches.

Attach the Box Seat (4) to the Chair Back(1).

Secure from the center using flat washer(E), spring washer(D) & JCBC screw M6 x 35mm(C).

Secure the 2 corners using flat washer(E), spring washer(D) & JCBC screw M6 x 70mm(A). Tighten up with Allen Key(F).

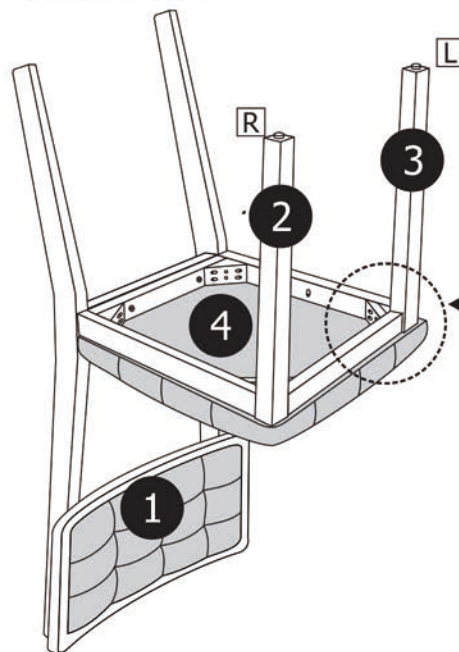
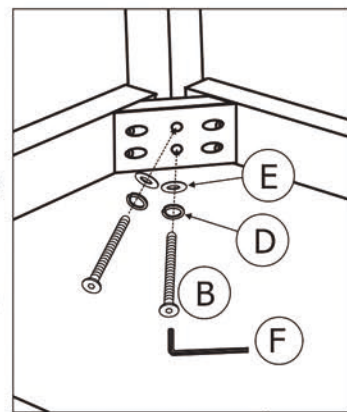
PLEASE DO NOT FULLY TIGHTEN THE SCREWS UNTIL FINAL STEP.



STEP 2

Attach Front Legs(2 & 3) to the assembled chair back (1) with box seat(4) by using flat washer(E), spring washer(D) and JCBC screw M6 x 60mm(B). Only **SLIGHTLY** tighten by Allen Key(F) to ensure they are not falls out.

Then make sure all the legs are level. Once level, tighten all the screws securely at this stage.



ASSEMBLY COMPLETE!

