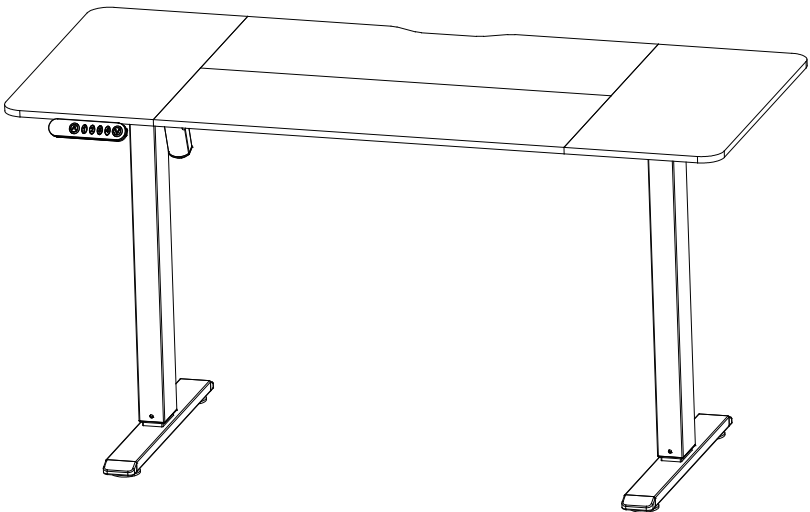


Electric Height Adjustable Standing Desk

USER MANUAL





IMPORTANT INFORMATION
READ CAREFULLY.
KEEP THIS INFORMATION FOR FURTHER REFERENCE.

GENERAL GUIDELINES

- Please read the following instruction carefully and use the product accordingly.
- Please keep this manual and hand it over when you transfer the product.
- This summary may not include every detail of all variations and considered steps. Please **contact us** when further information and help are needed.

NOTES



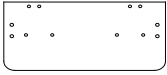
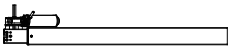
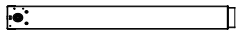


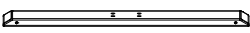

- Please follow the assembly instructions precisely and only use the product as intended.
- If an odor is present when first opening the package, please leave the unwrapped product in a shaded and ventilated area for a few days to air out.
- Prior to assembly, please check the product for defects or missing accessories. If any defects are found or accessories are missing, do not use product as damage or injury may occur;
- Please **contact us** for assistance and replacement.
- During assembly, please only slightly tighten all screws in their correct position first, then fully tighten them. A Philips screwdriver is recommended but not included.
- It is suggested you regularly check the products bolts and connections to ensure safe use.
- Assemble the item on a soft flat and clean surface to avoid scratches and damage.

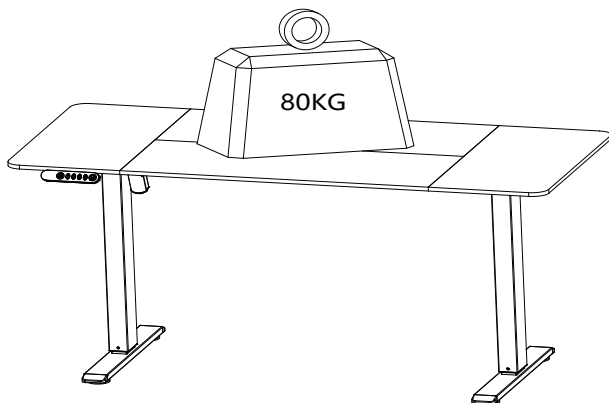
WARNINGS

- During assembly, keep parts and packaging materials away from children and pets as there could cause injury and are a potential choking hazard.
- Avoid sharp objects or corrosive chemicals to prevent damage to the product.
- Please open the item slowly and cautiously to avoid pinching your hands by metal joints, especially children.

Components

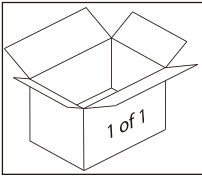
Please check you have all the pieces listed below

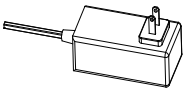
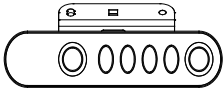

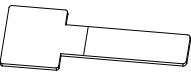

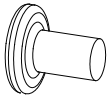
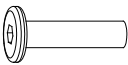
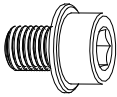
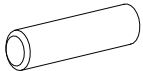
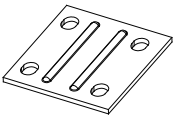

Reference	Description	Part	Quantity
①	Desktop-1		1
②	Desktop-2		1
③	Desktop-3		2
④	Left Leg		1
⑤	Right Leg		1
⑥	Support beam		2
⑦	Side Bracket		2
⑧	Base		2
⑨	Sync Rod		1



Components

Please check you have all the pieces listed below

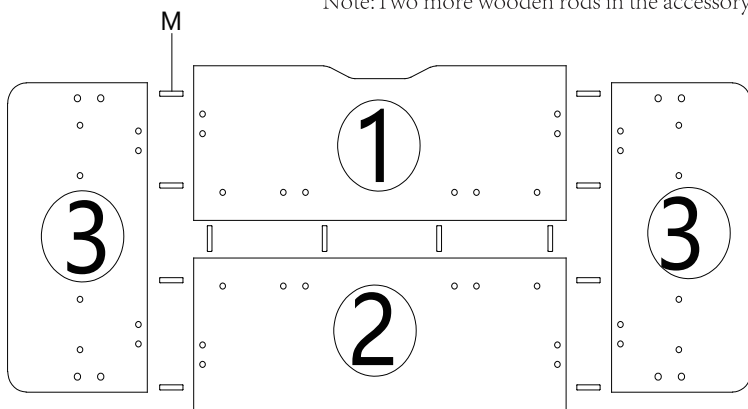


<p>A</p>  <p>Power Cable x1</p>	<p>B</p>  <p>Controller x1</p>	<p>C</p>  <p>Leveling Studs x4</p>
<p>D</p>  <p>Wire Clips x5</p>	<p>E</p>  <p>4mm Allen Key x1</p>	<p>F</p>  <p>Screws M6x10 x32</p>
<p>G</p>  <p>Screws M6x35 x10</p>	<p>H</p>  <p>Screws M5x8 x14</p>	<p>M</p>  <p>Wooden Rod x14</p>
<p>N</p>  <p>Connector x4</p>	<p>L</p>  <p>Hexagon bar x1</p>	

1

M	X 12
Wooden Rod	

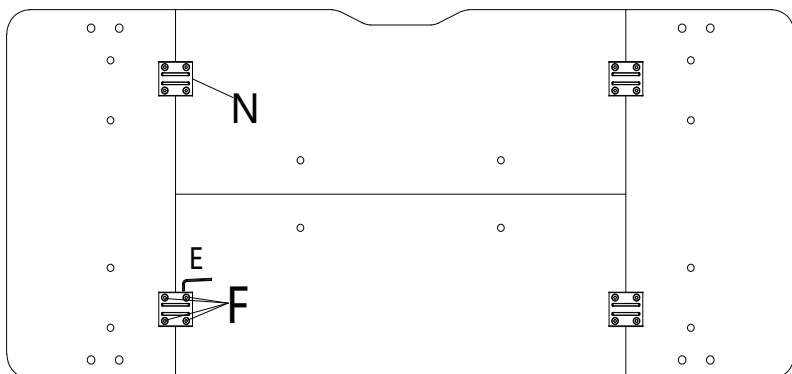
Note: Two more wooden rods in the accessory bag



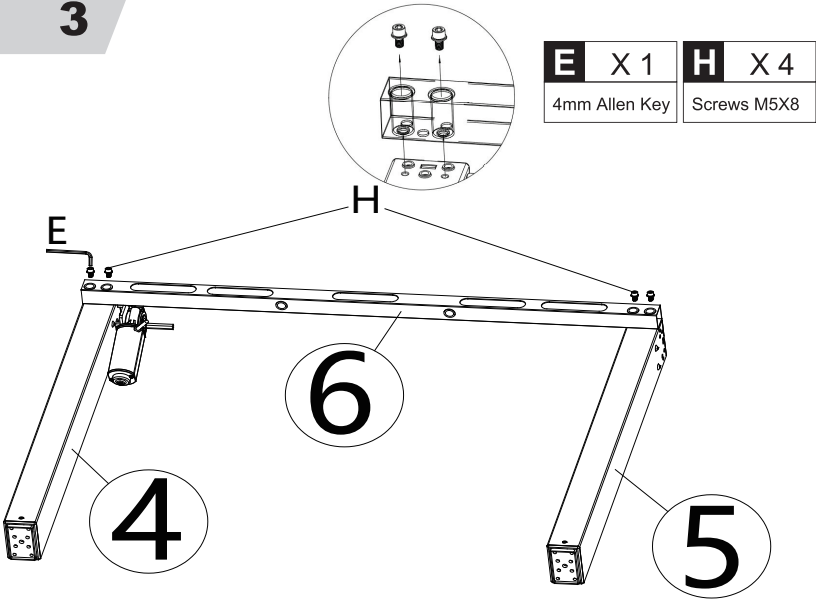
2

E	X 1	F	X 16	N	X 4
4mm Allen Key		Screws M6X10		Connector	

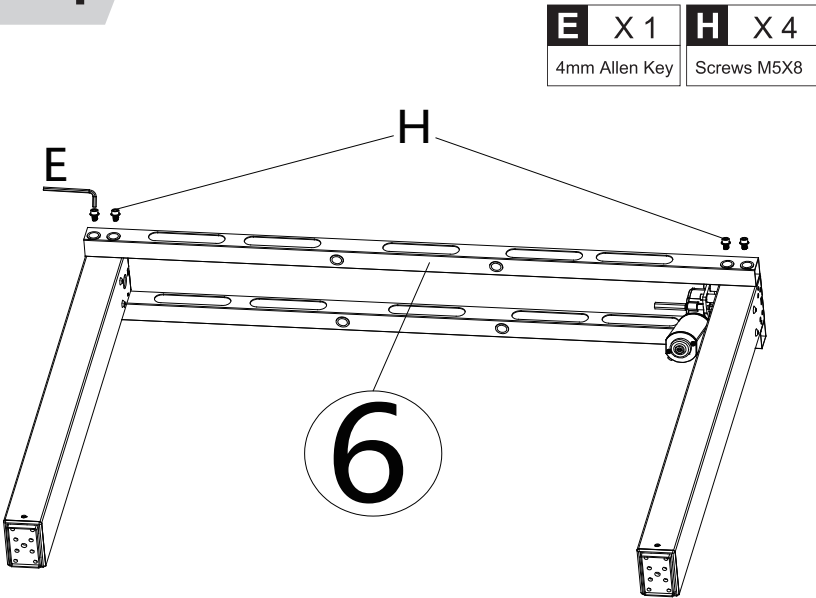
Note: The horizontal bar on the Connector should be perpendicular to the seam of the table panel splice



3

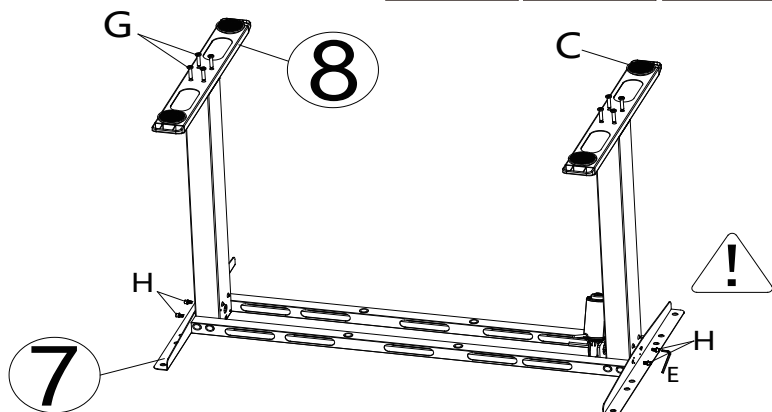


4

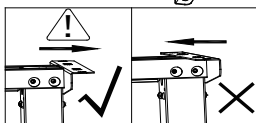


5

C X 4	E X 1	G X 8
Leveling Studs	4mm Allen Key	Screws M6X35

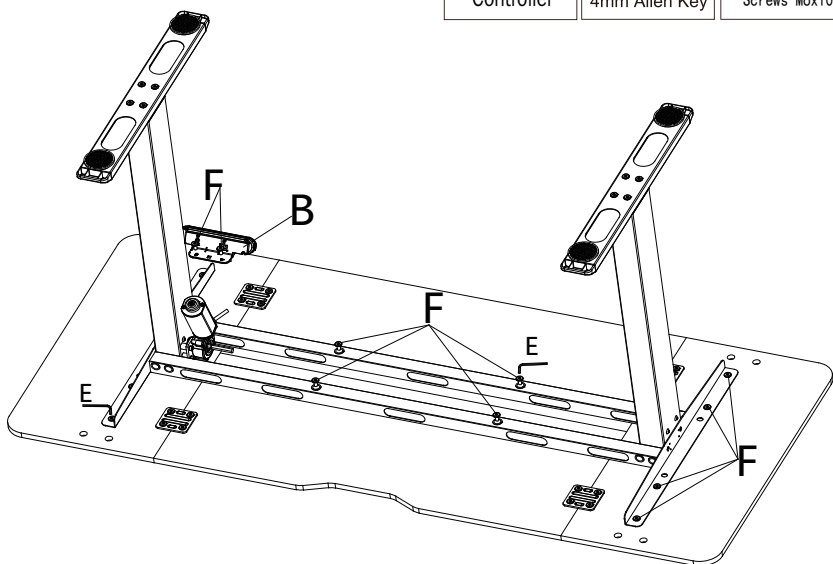


NOTE: Installation with the support arm folded outwards



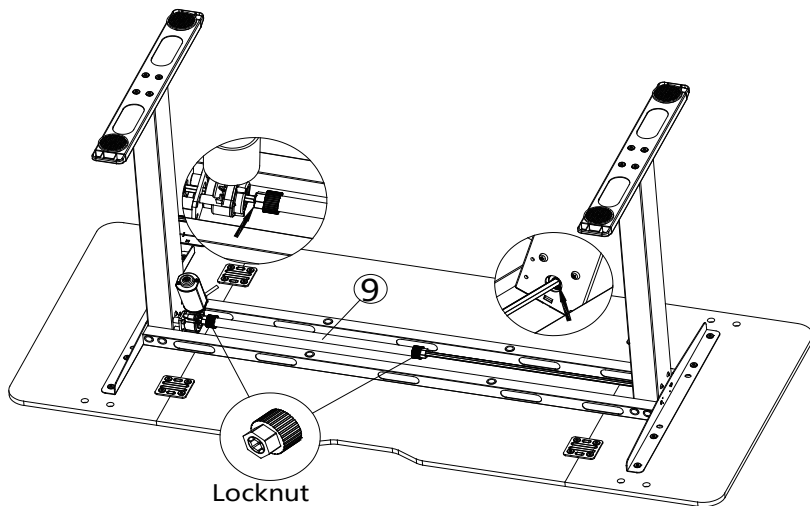
6

B X 1	E X 1	F X 14
Controller	4mm Allen Key	Screws M6x10



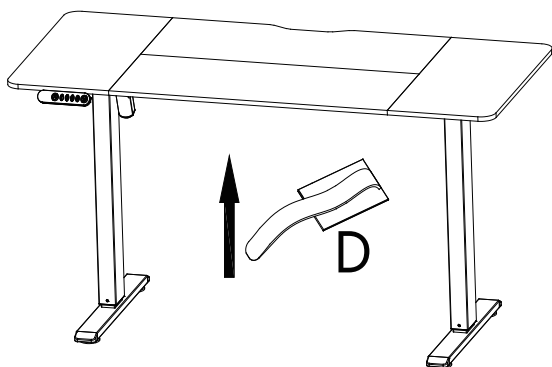
7

Install the ⑨-Sync Rod and tighten the two screws at the both end of Sync Rod.

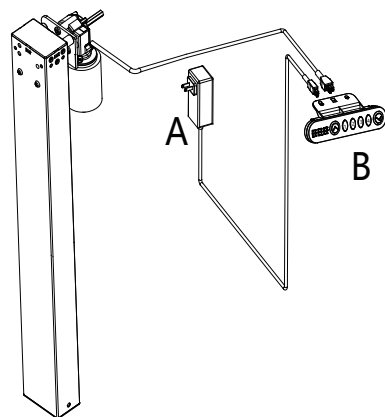


8

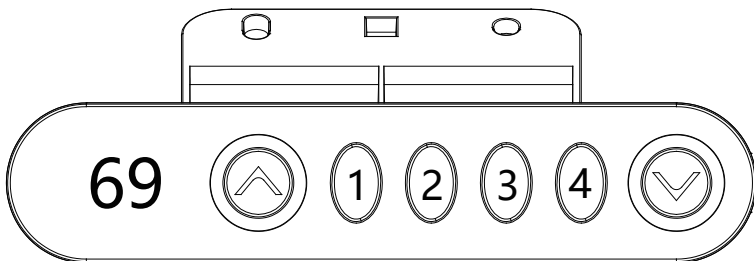
Use D-Wire Clips to tidy up the wires.



Connect Controller, AC Adapter, Power Cable and Left Leg.



CONTROLLER INSTRUCTION



RESET Setting	Method 1: Press and hold “^” and “v” buttons on the controller at the same time for seconds until you hear the beep. Release the buttons. The desk will go automatically until it shows 69, and the reset is successful.
Height Adjustment	Up: Press Up “^” .Down: Press Down “v” .
Switch Display	Press and hold “v” and Button 4 to switch cm to inch to cm.
Memory Height	Press and hold any memory button (1, 2, 3 or 4), see the number flash twice, release the button, this position height will be stored in memory. When the working height of memory, press the memory position button and the table will automatically adjust to the memory height. Note: This standing table has four different heights of memory. The stored memory position remains valid after the power is off. You can use the upper and down buttons to adjust the standing table to the height you need to work

Trouble shooting Guide:

If your standing desk does not work properly, you may need to reset it.

If any error codes appear, you need to reset it.

If it still does not work after the reset, please contact us for more help.

Maintenance and Consideration:

1. During daily maintenance, use a clean soft cloth to remove surface dust. Do not use a wet cloth or hard material to wipe the surface of the table.
2. Avoid contacting the surface with acid-based chemicals.
3. For slight scratches, gently wipe with a soft cloth, you can smooth out scratches. Avoid attaching tape directly to the outer surface of the metal feet to prevent paint from peeling.