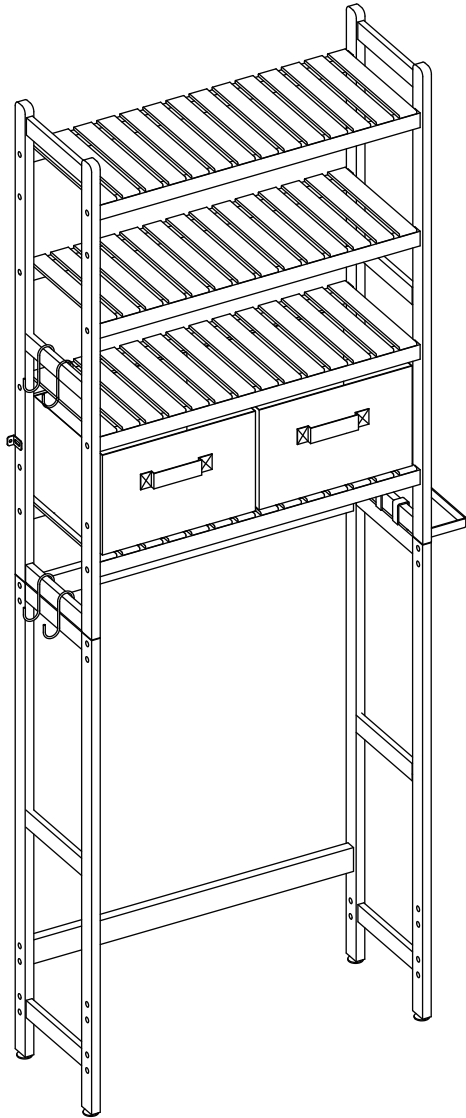


# Manual

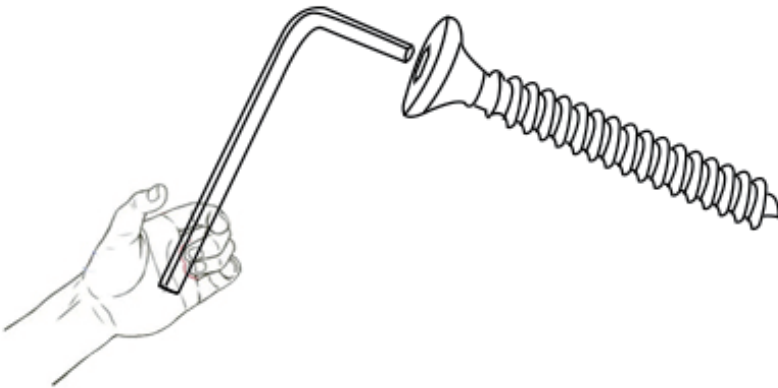


# **Please read this instruction carefully before using the product**

## **Warnings:**

- 1 . Please sort all the spare parts before installation to avoid confusion
- 2 . Do not tighten the screws when installing. Tighten them gradually after all screws are installed.
- 3 . Do not over-tighten the screws, otherwise the material may be broken.
- 4 . When using a hex wrench, Hold the long handle and connect the screw with a short handle.
- 5 . When using bamboo products, avoid prolonged contact with water.
- 6 . Keep away from fire during use.
- 7 . This product should be kept away from direct sunlight.
- 8 . Please do not let children climb(this is not a toy).
- 9 . Please keep away from children during installation.

## **Use Diagram of Hex Wrench**



**Hold the long handle and connect the screw with a short handle.**

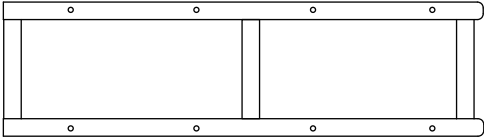
## **Product parameters**

1. Material: bamboo
2. Surface treatment: Carbonized and polished PU environmental protection paint treatment.
3. The total weight capacity of the product is 176.4 lbs. with each of the four shelves supporting 44lbs.

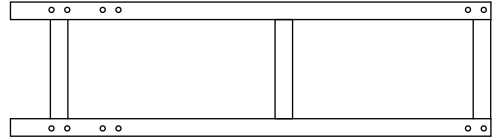
# Components List

Note: Please sort all the spare parts before installation to avoid confusion.

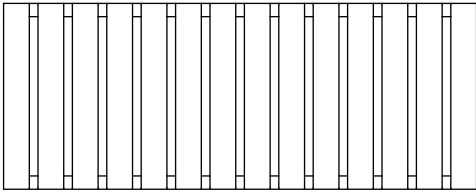
## List of accessories



**A (X2)**



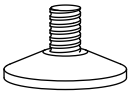
**B (X2)**



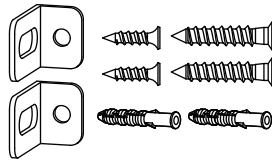
**C (X4)**



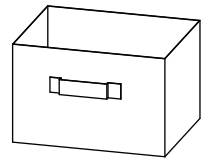
**D (X2)**



**E (X4)**



**F (X1)**



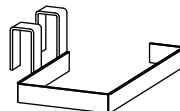
**G (X2)**



**1# (x28)**



**(x4)**



**(x1)**



# Installation steps

1

1#

1#

1#

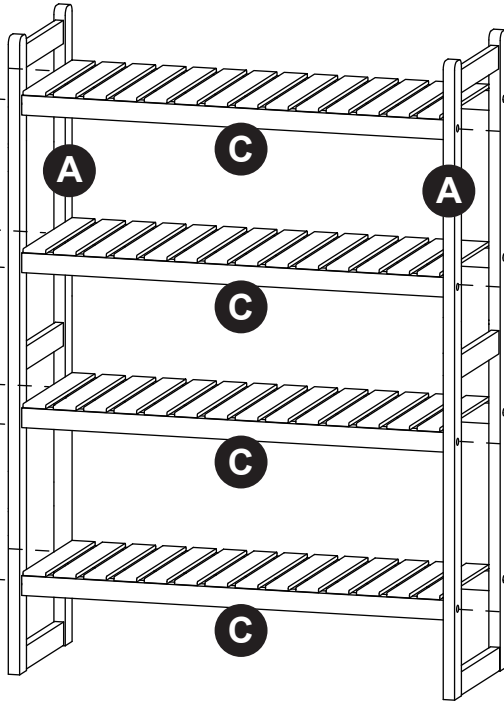
1#

1#

1#

1#

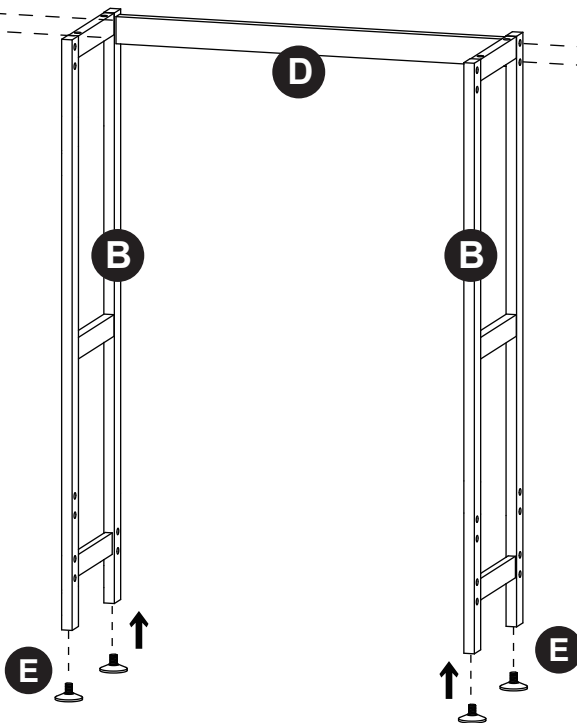
1#

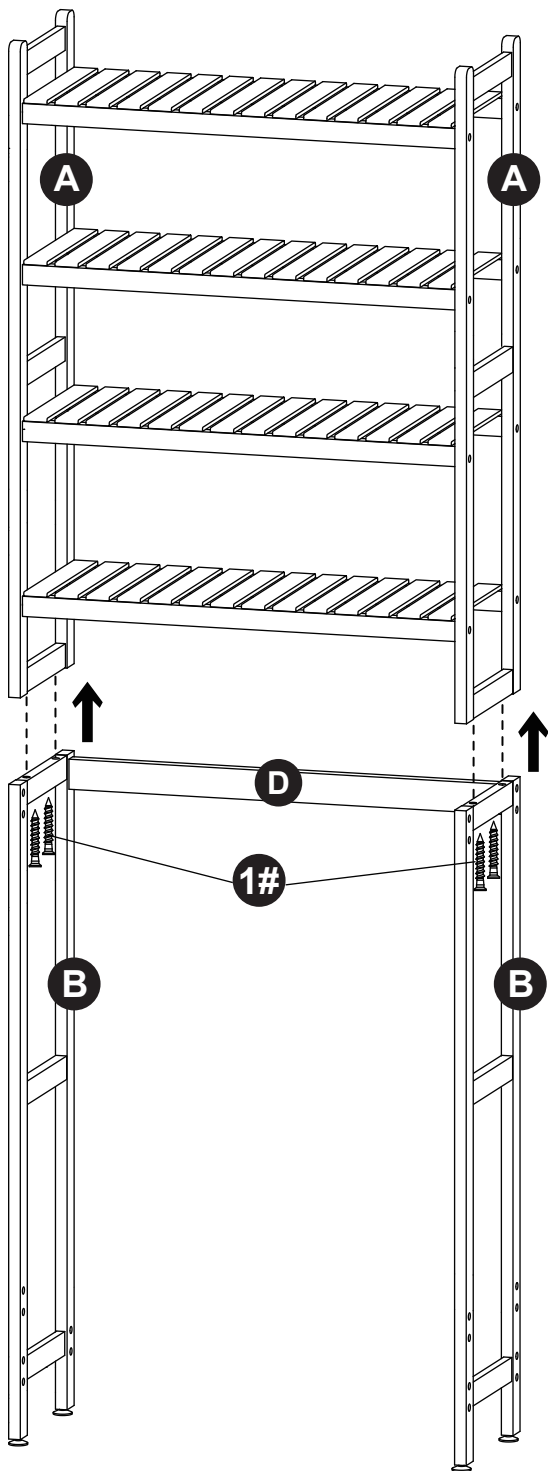
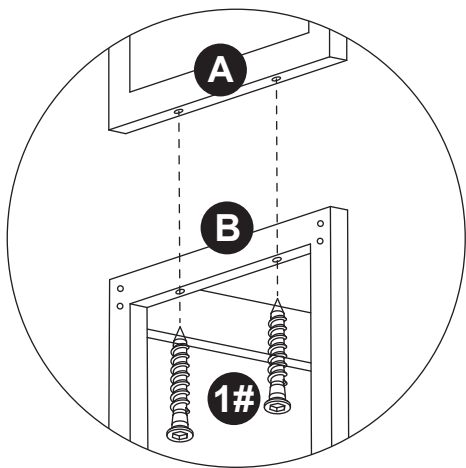


2

1#

1#

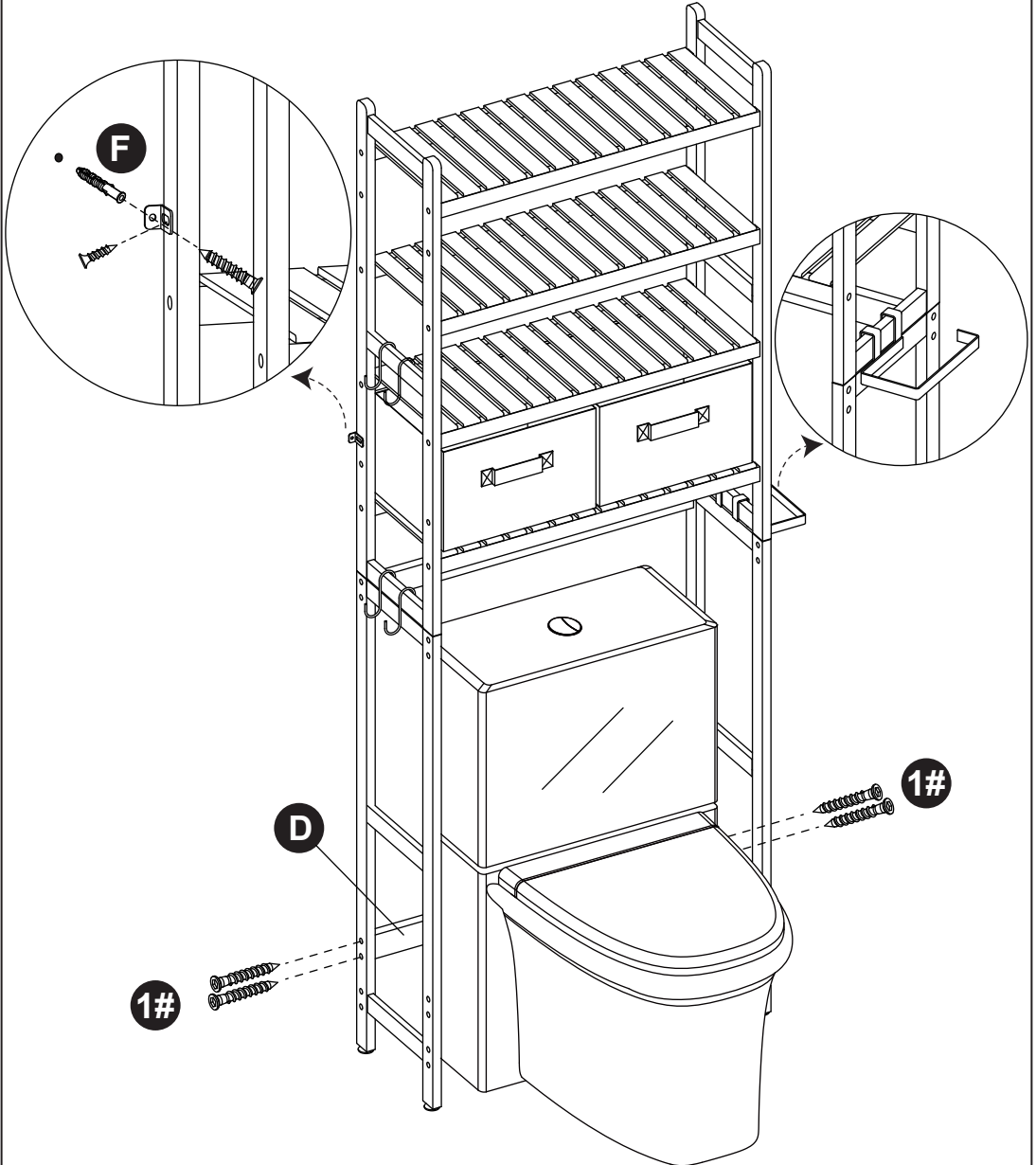




4



Attention : For safety and stability, we suggest you have to secure the anti-tip accessories to the wall to prevent tipping, injury, and property damage.



Tips: When installing accessory D, two different installation heights can be chosen depending on the position of the toilet water valve.