

# Metal Storage Cabinet

## Instruction Manual

Your new Metal Storage Cabinet has arrived and it will make your life so much easier. That's why we put so much effort into designing it to perfectly fit your needs.

But first things first, we need to install it!

When we say 'we', we mean we're going to guide you, step by step.

We created this instructions manual so that you won't feel overwhelmed and We also know that sometimes things just don't seem to fit, so don't hesitate to contact with our Amazon Customer Associate if you have questions or need help!

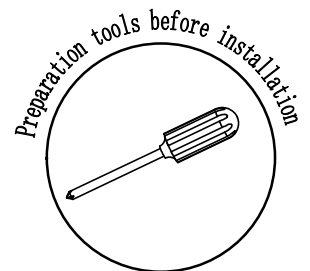
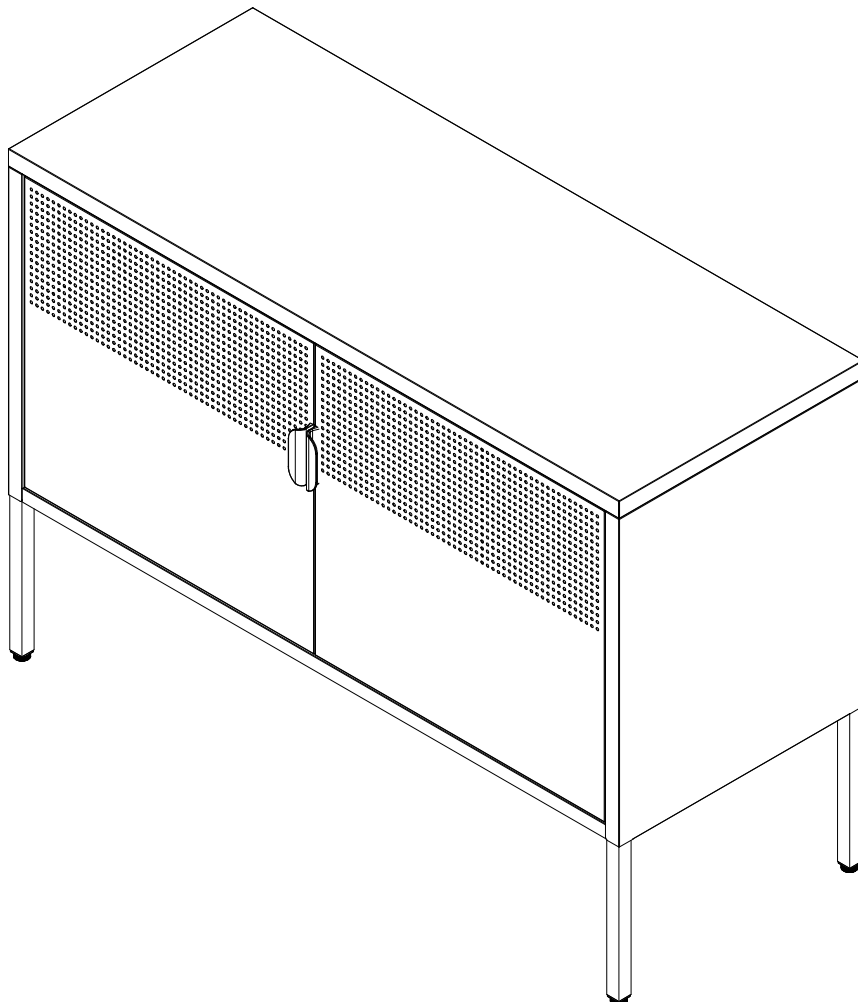
Missing A PART? DON' T WORRY, WE GOT YOUR BACK!

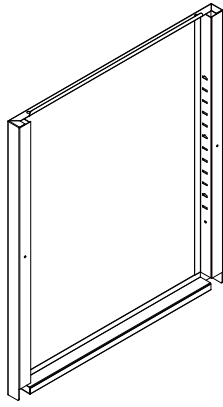
Compare the sketch on the next page with your package. Are all the pieces there?

However, sometimes error happen, so if anything is missing or damage, just send us an email and we will make sure to fix it!

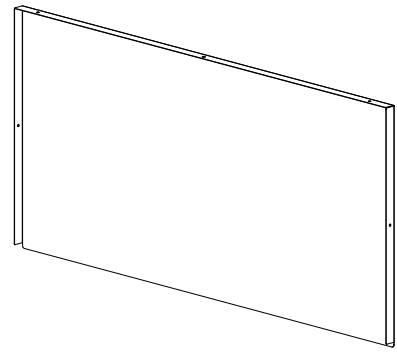
If you find scratches on the sides of the product after you open the package.

DON' T WORRY, this is the protection of express packages.



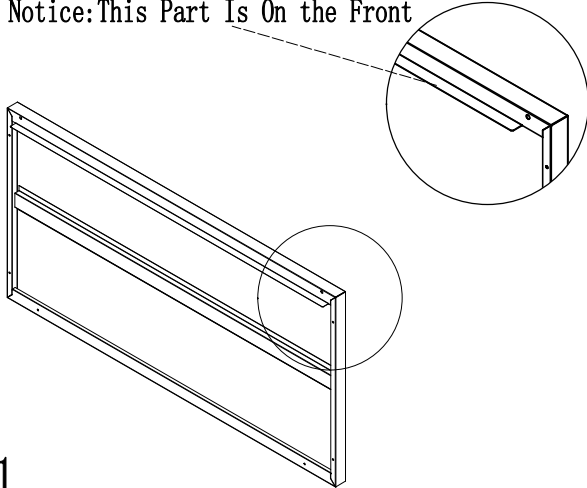


A\*2

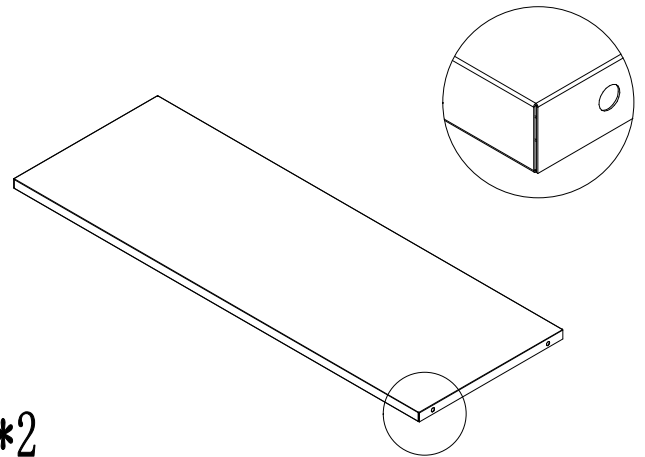


B\*1

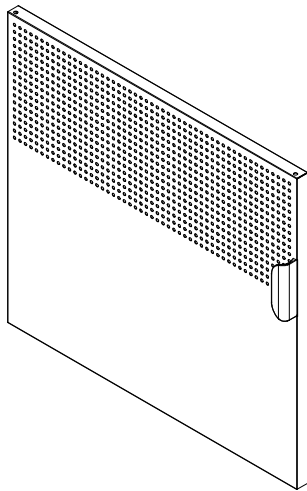
Notice: This Part Is On the Front



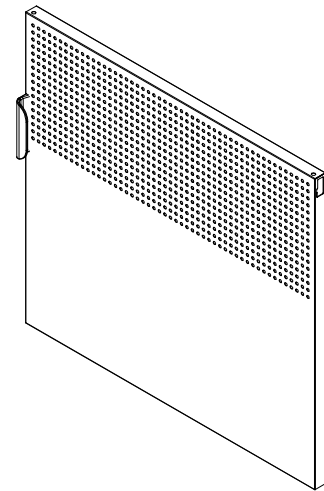
C\*1



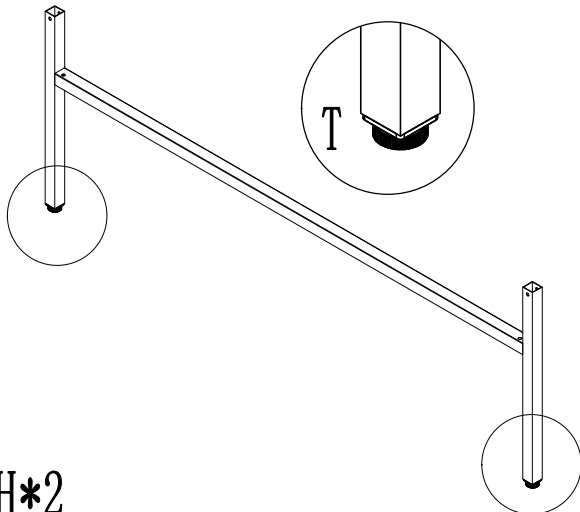
D\*2



E\*1



F\*1



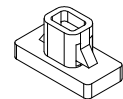
H\*2



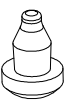
G\*2



I\*17



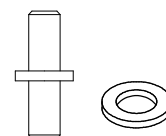
Q\*2



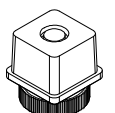
Z\*2



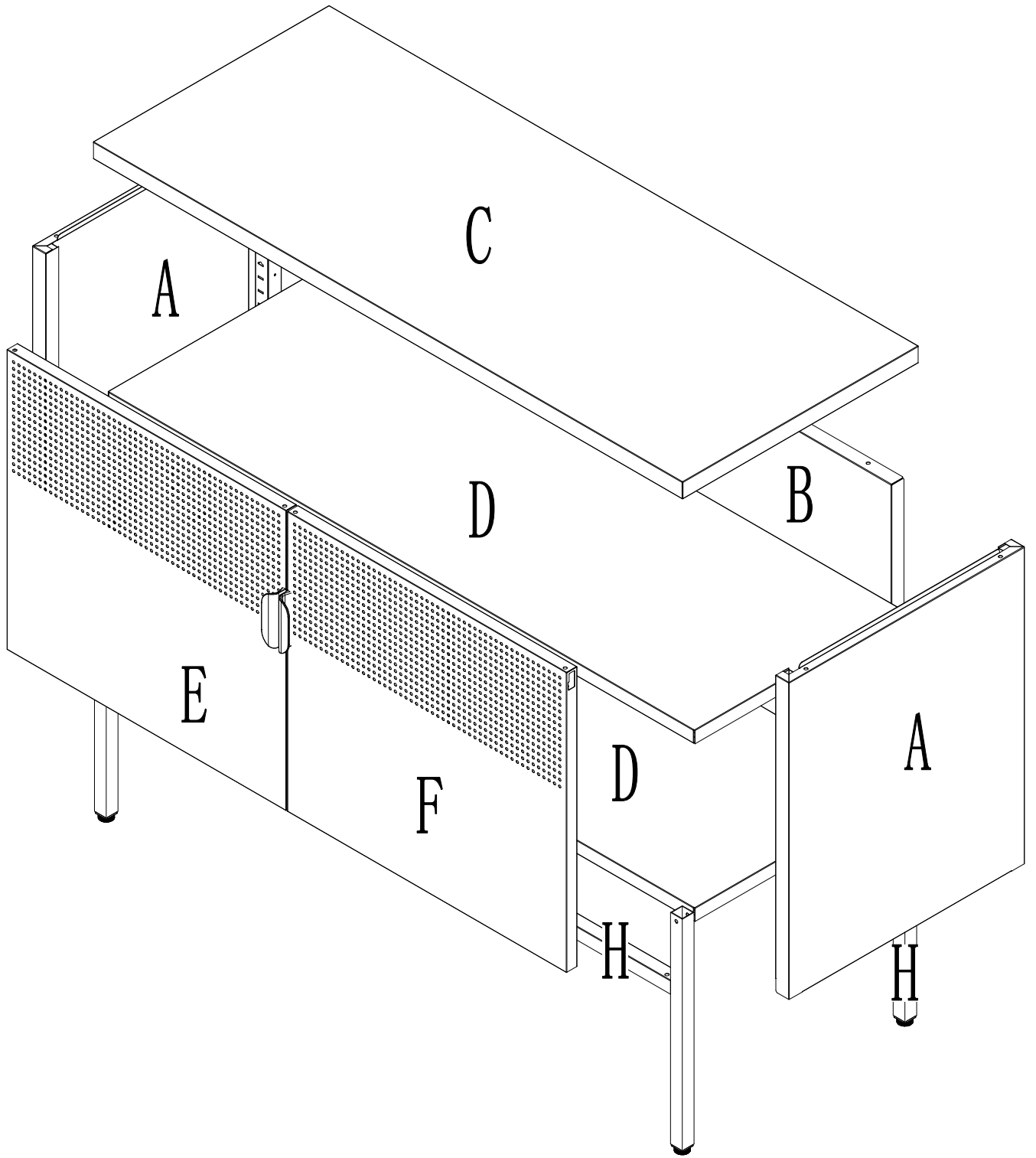
L\*4



K\*2



T\*4

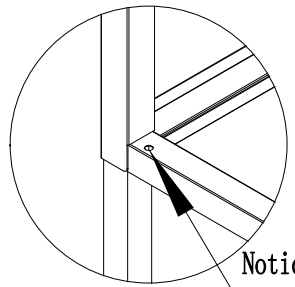
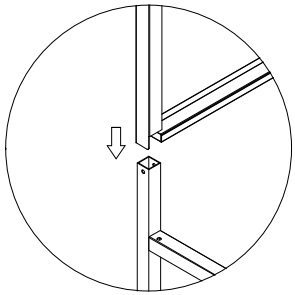


1

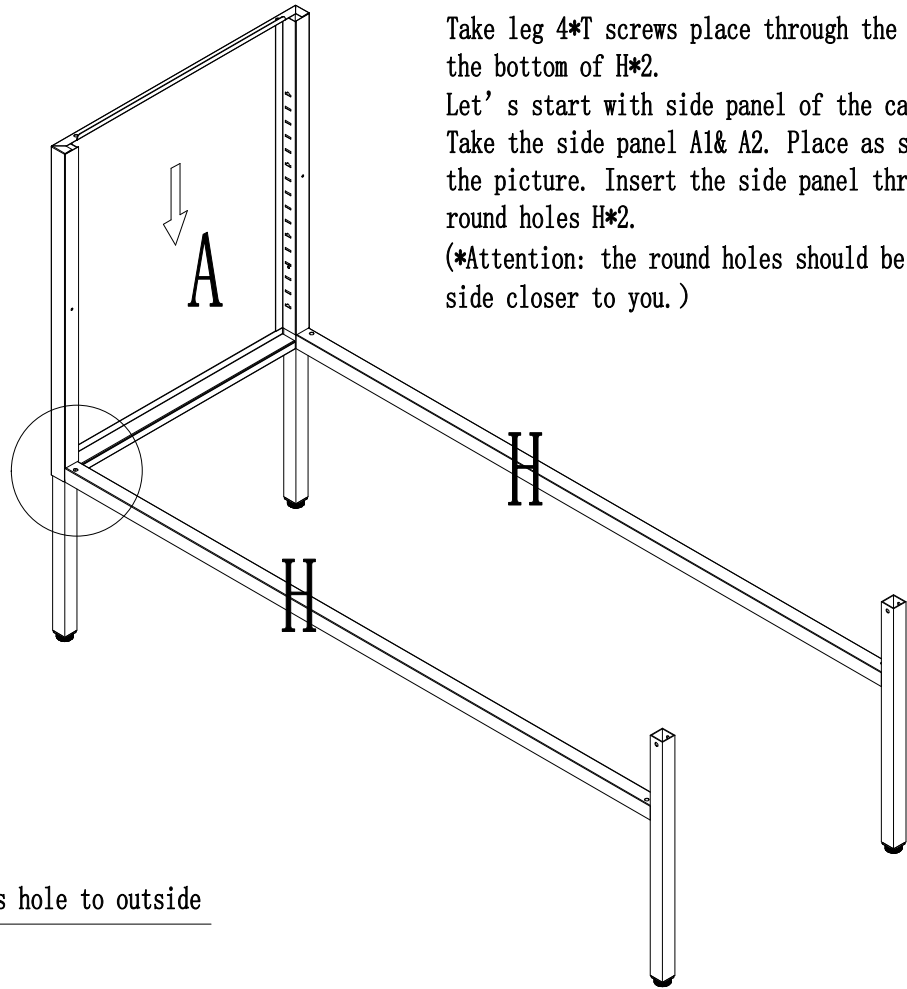
Take leg 4\*T screws place through the holes in the bottom of H\*2.

Let's start with side panel of the cabinet. Take the side panel A1& A2. Place as shown in the picture. Insert the side panel through the round holes H\*2.

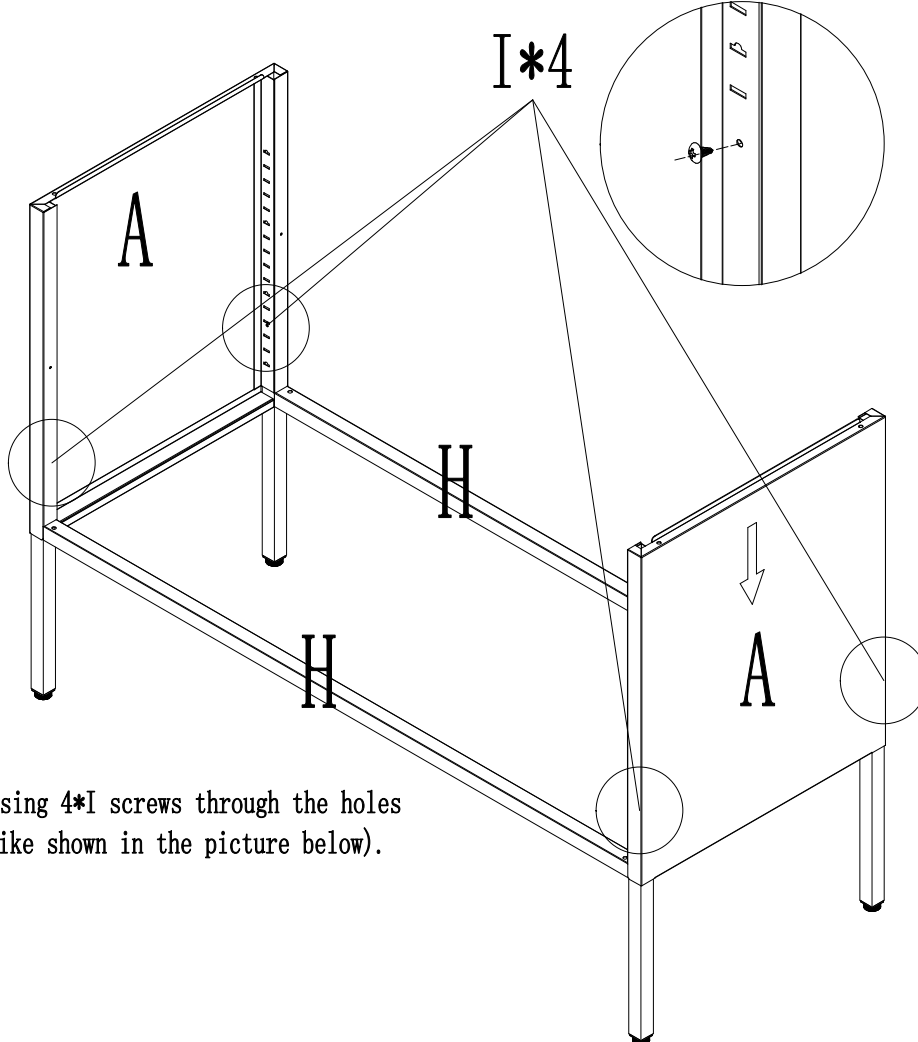
(\*Attention: the round holes should be on the side closer to you.)



Notice: This hole to outside

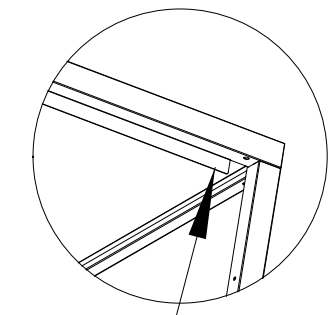
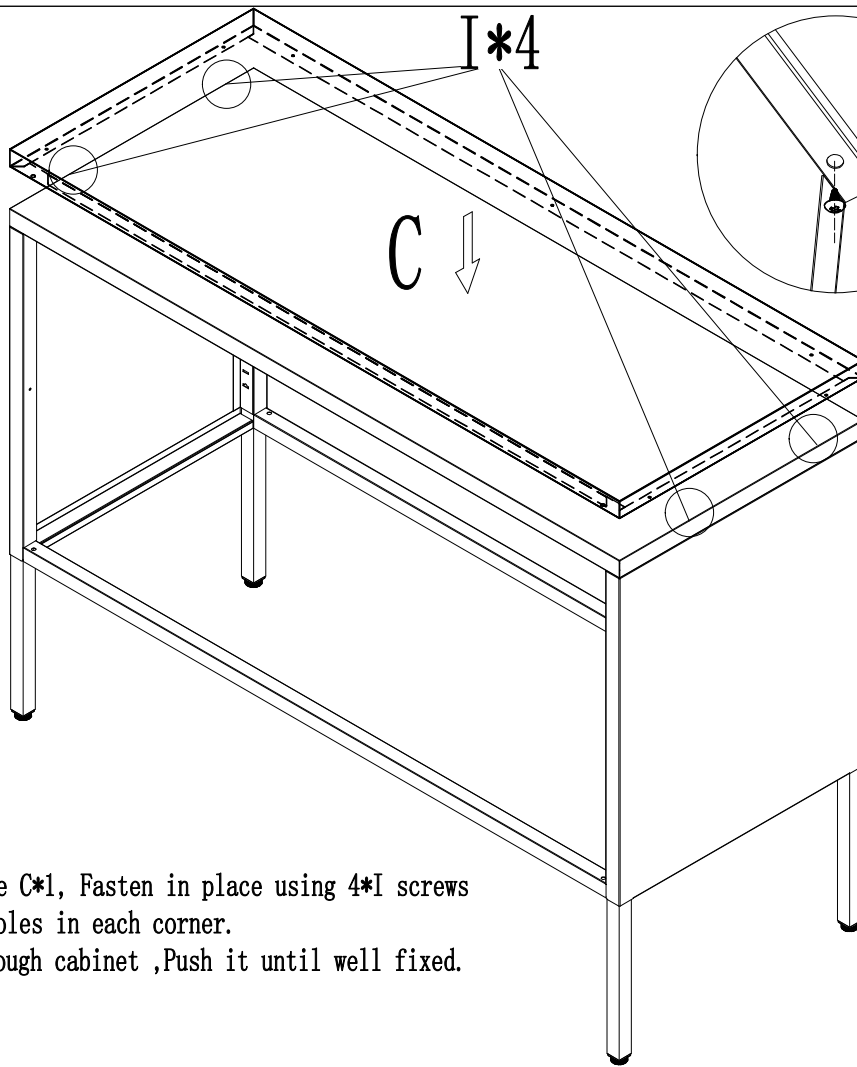


2



Fasten in place using 4\*I screws through the holes in each corner (like shown in the picture below).

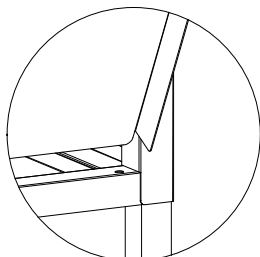
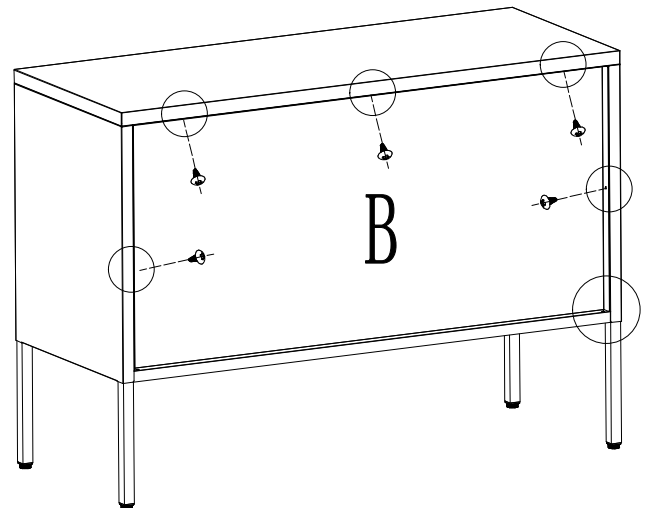
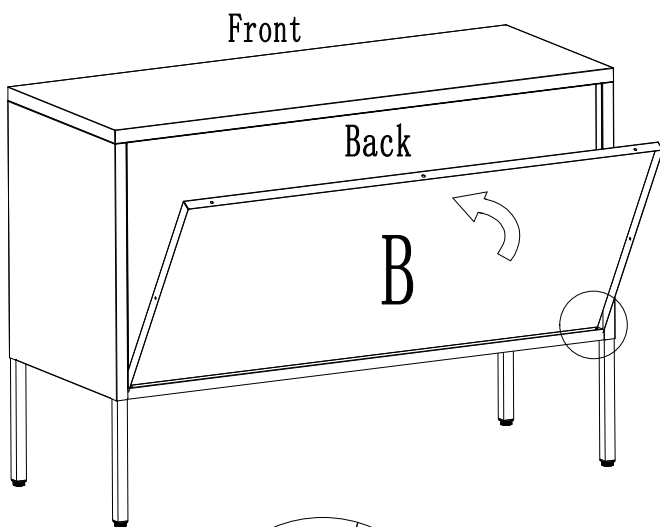
3



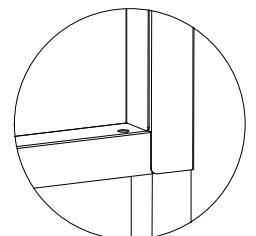
Notice: This part is on the front

Take Top Frame C\*1, Fasten in place using 4\*I screws through the holes in each corner.  
 Insert it through cabinet, Push it until well fixed.

4

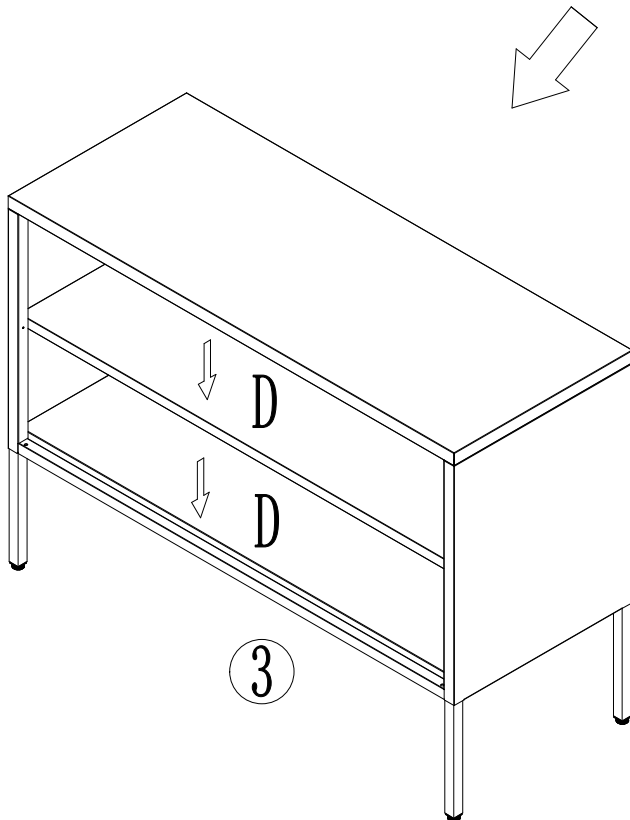
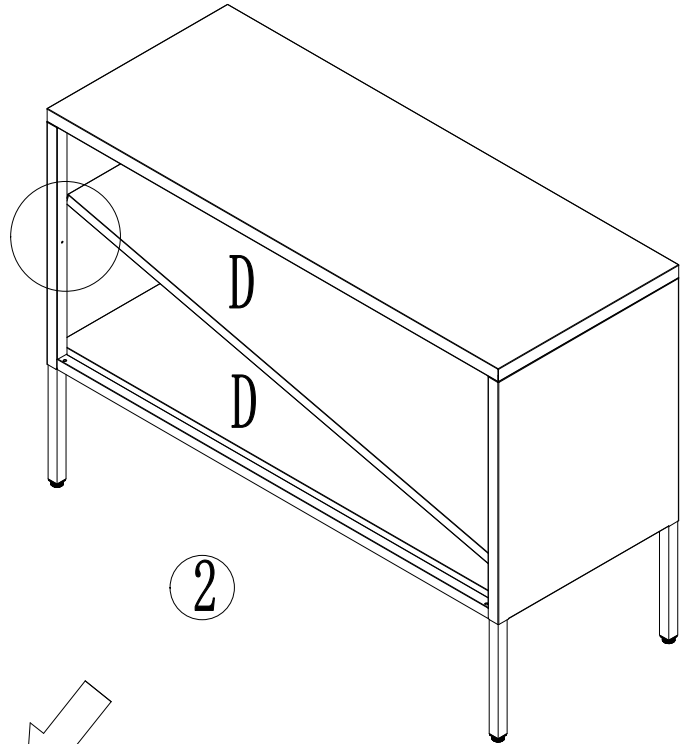
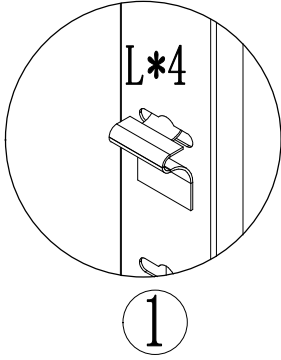


Take Back Panel B1  
 The frame with round holes must be pointing upwards.  
 Overlap & align the holes of the interior frames.  
 Fasten in place using 5\*I screws.  
 3\*I screws on the top, and 1\*I on each side.



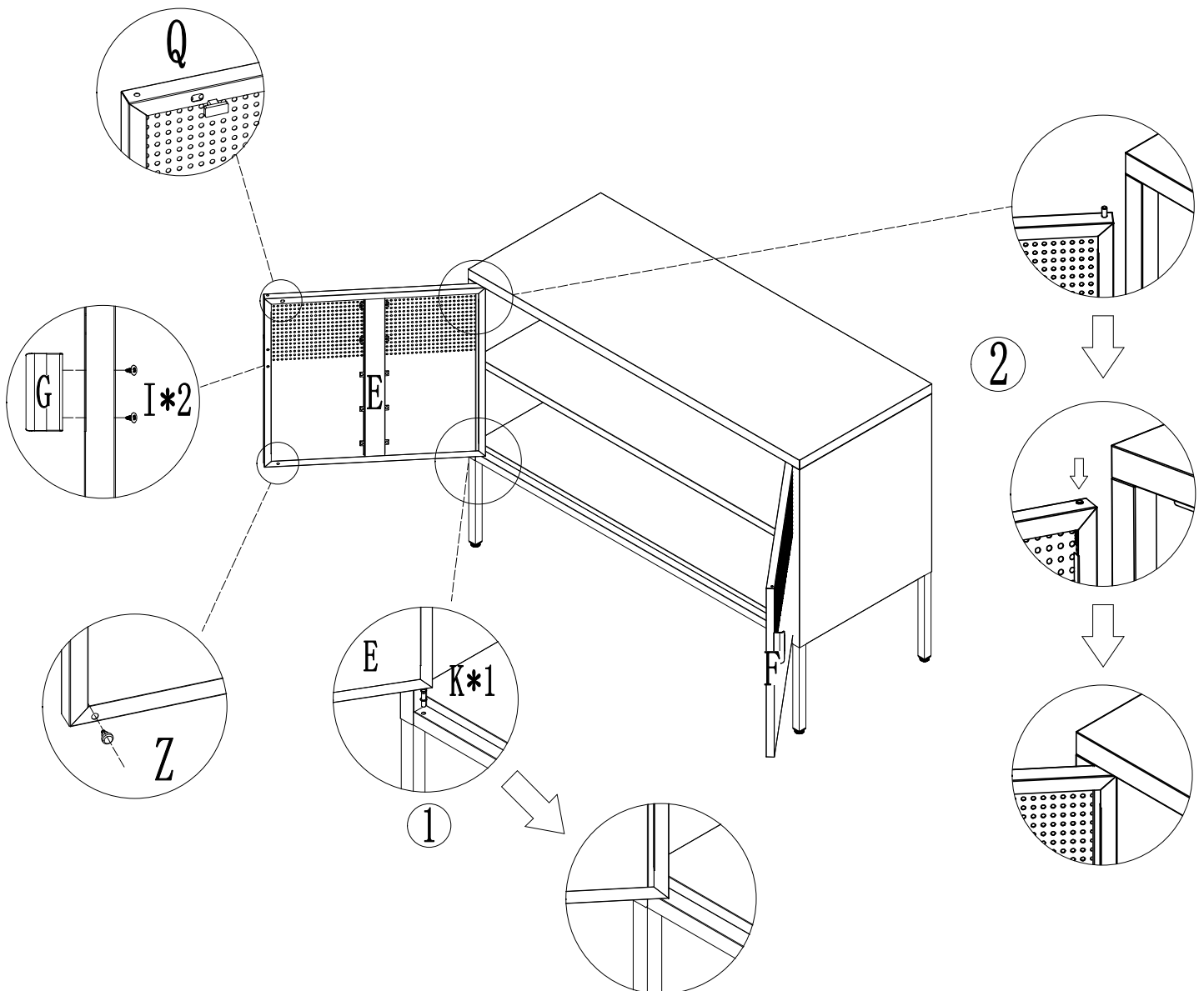
5

Choose where you want to mount the first shelf .  
Insert L\*4 holders in the frame' s holes, 1 for  
each corner.  
Take one of D\*2 shelf holder put the bottom,  
then insert other shelf.



6

Take 2 \*K bolt screws & insert a plastic ring on it.  
Insert the bolt in the bottom frame' s hole (like shown in the picture below).  
Take door E1 & F1.  
Place the door with the bottom hole in the bolt.  
Press the arch at top of the door to fix the door in the upper frame.  
Make sure it is securely fastened up and down .  
Move the door back & forth to test it.  
Take 2\*Q magnetic pieces and 4\*Z mute pad.  
Magnetic pieces Q ONLY on the top of the door,Z mute pad on the top and bottom  
of door.  
Last step, Install the door handle G\*2.



**Congratulation!**  
**Your metal cabinet is ready to use!**