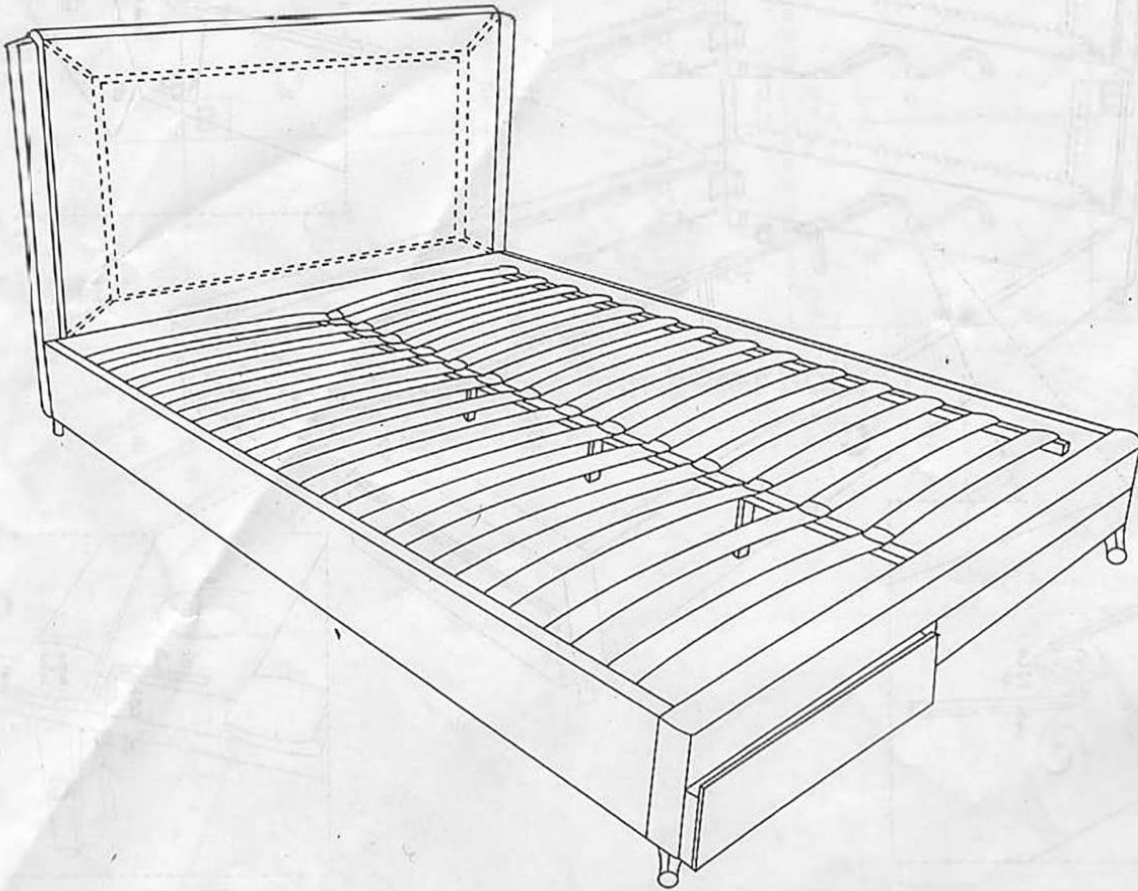
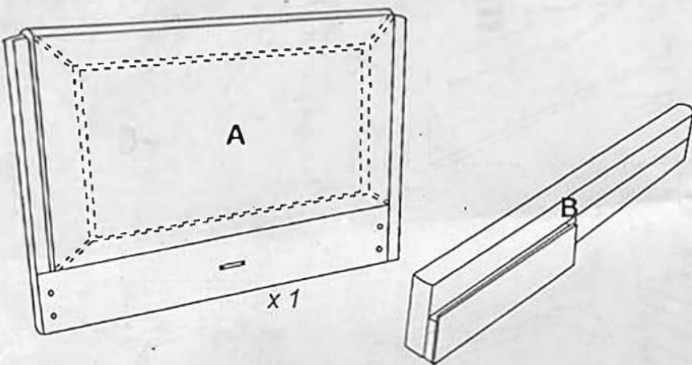


# ASSEMBLY INSTRUCTION

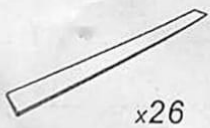
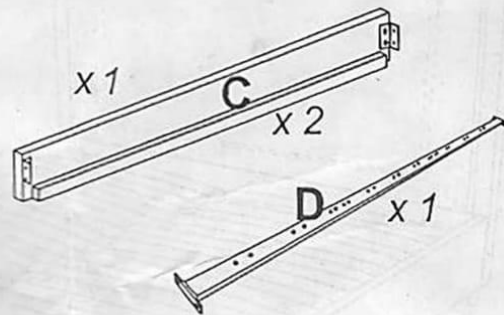


## PARTS LIST

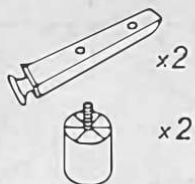
BOX -1



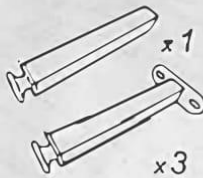
BOX -2



E



F



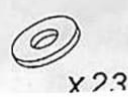
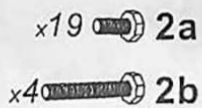
G

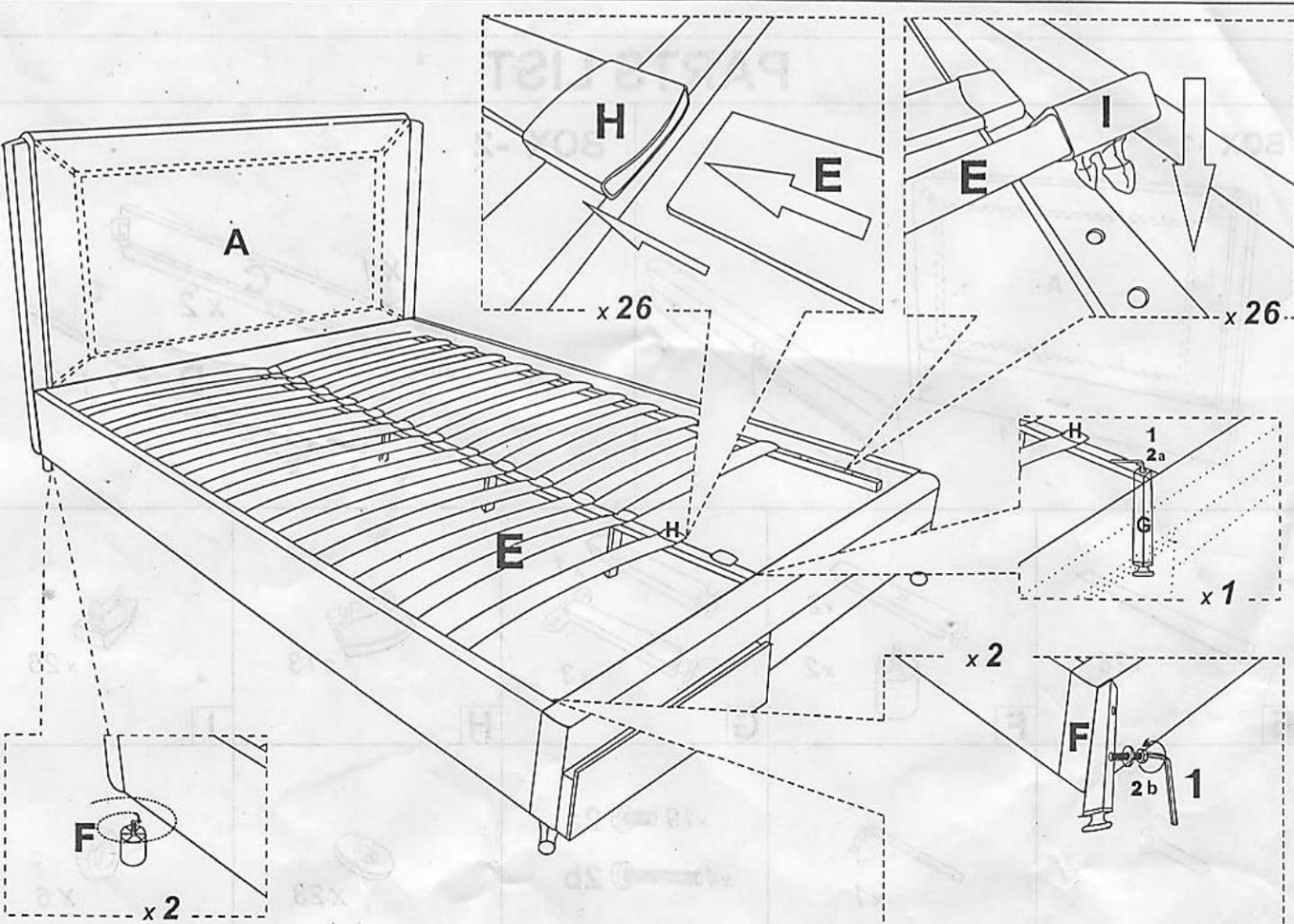
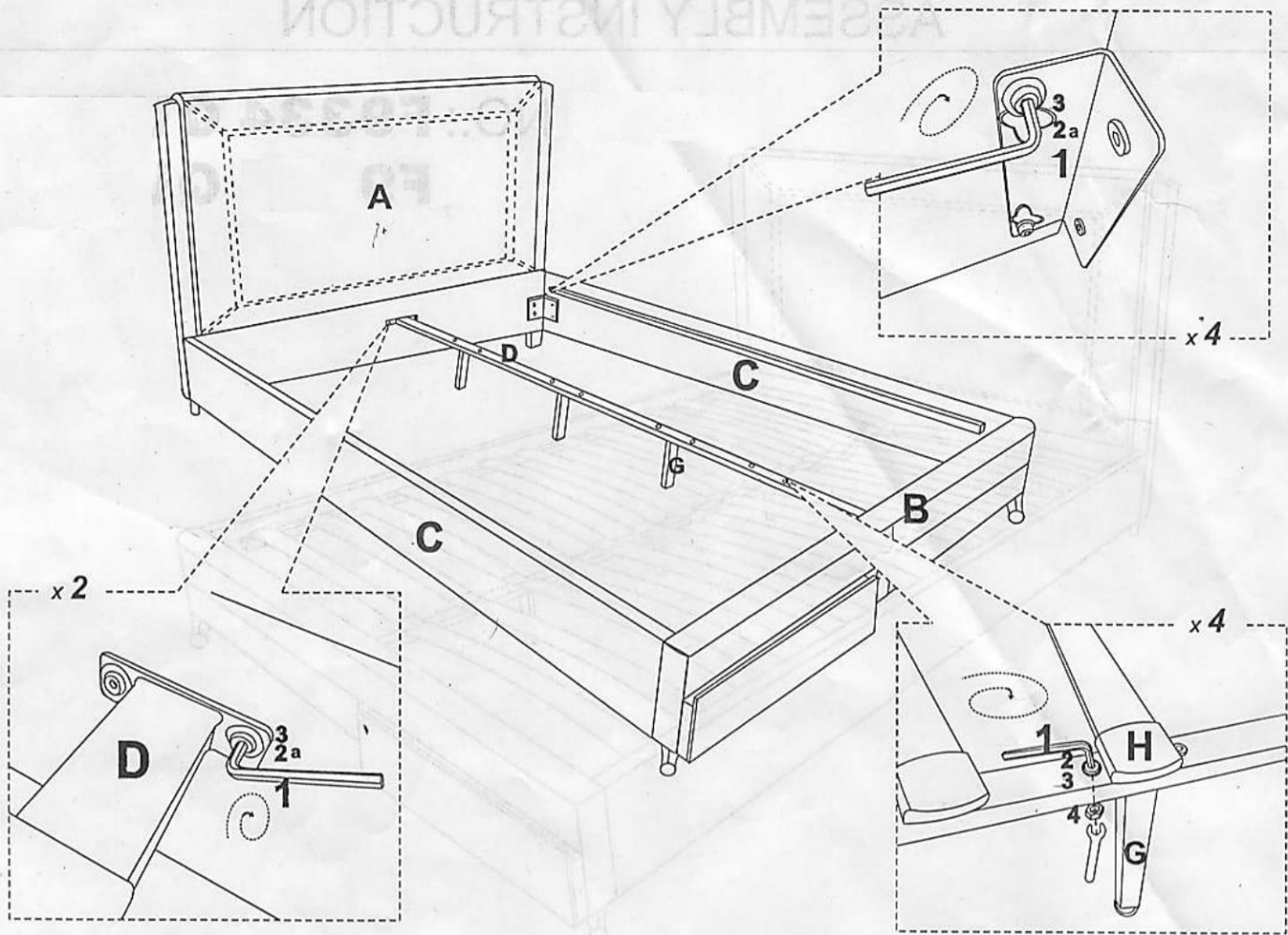


H


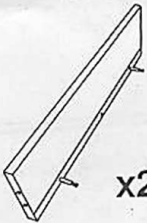

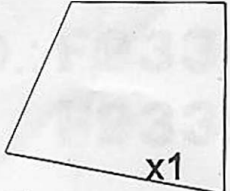

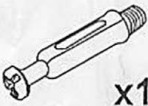






I



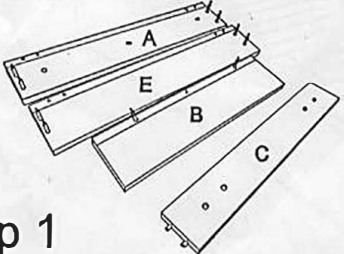
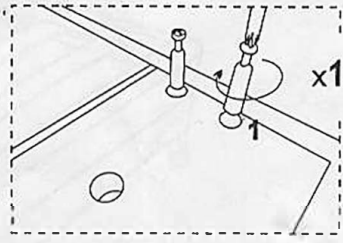


**PARTS LIST**

 <p>x1</p>	 <p>x2</p>	 <p>x2</p>	 <p>x1</p>	 <p>x1</p>
<p>1</p>  <p>x12</p>	<p>2</p>  <p>x12</p>	<p>3</p>  <p>x4</p>	<p>4</p>  <p>x1</p>	<p>5</p>  <p>x8</p>

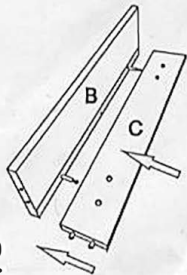
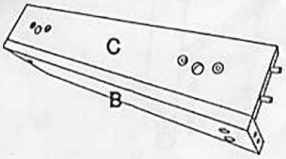
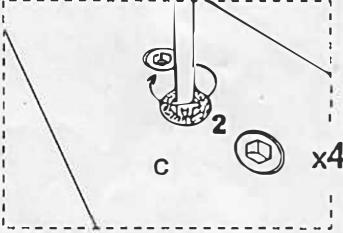
**step 1**

Mount the combiner bolt(1) onto parts A, E, B, C.

x12

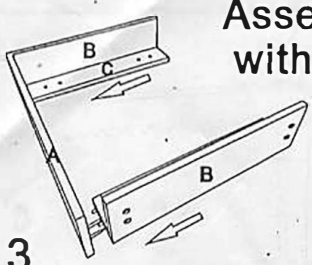
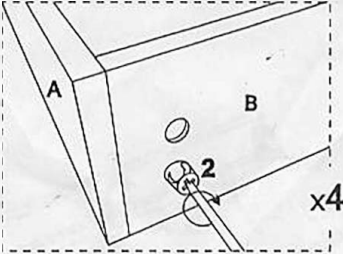
**step 2**

x4

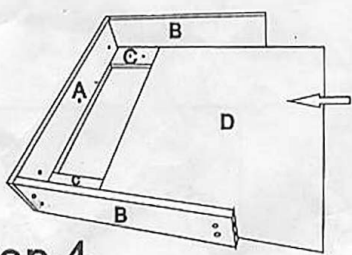
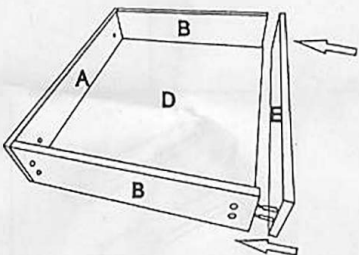
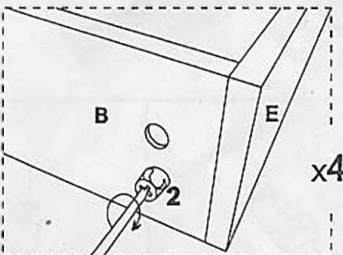
**step 3**

Assemble the parts(B) to Parts(A) with combiner nut(2)

x4

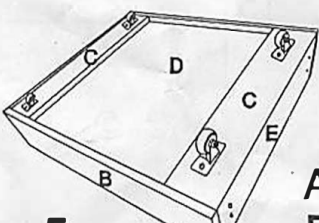
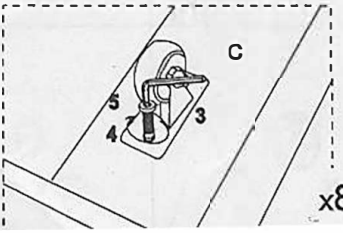
**step 4**

x4

**step 5**

Assemble the wheel onto below Part (C) with bolt (5)

x8