

Assembly Instructions

Caution: You must read this before you proceed

Care & Maintenance



- Not for commercial use. For residential use only.



- Furniture may scratch floors. We recommend using furniture pads to protect your floors.



- Do not put hot items directly on furniture surface.



- Do not clean furniture with harsh cleansers or polish.



- Do not place furniture under direct sunlight.



- Do not place furniture near heating or cooling vents.



- Do not write on furniture without a padded barrier to protect the surface.



- Do not place furniture outside . For indoor use only.



- Stains may be removed with mild soap solution and damp cloth.

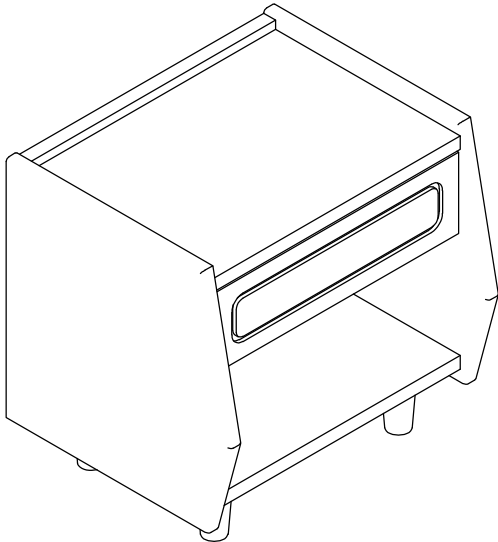


- Children should not climb or jump on the furniture.







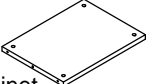

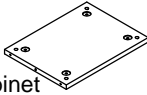


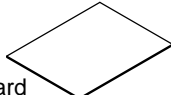


- Dust and pick-up spills using a clean, non-colored, lint-free cloth.

NIGHT STAND

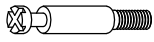


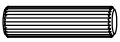
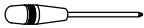


CAUTION: This Night stand is NOT a TOY.
 Keep your child / children at bay in the process of assembly.
 For turning the Night stand and to prevent damage to the Night stand.
 02 persons may be needed to execute this action.

PART LIST (N770P374577/Hardware in this SKU)

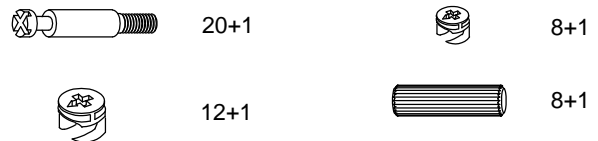
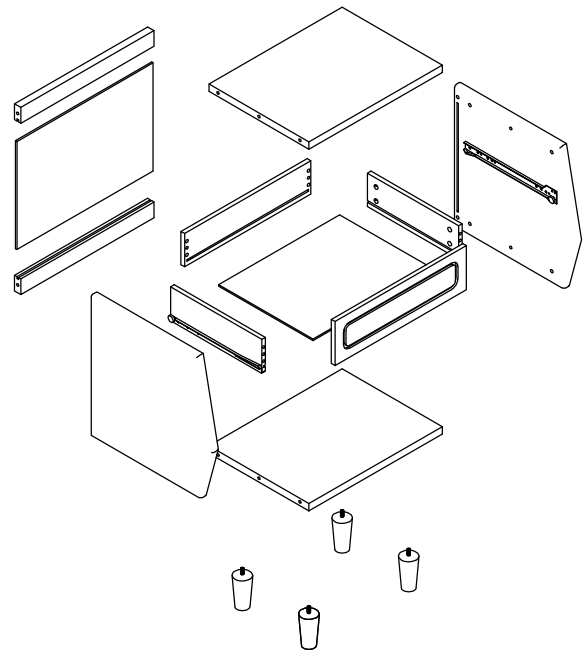
A	Left side panel 	1pc	G	Main side of drawer 	1pc
B	Right side panel 	1pc	H	Left side of drawer 	1pc
C	Top panel of the cabinet 	1pc	I	Right side of drawer 	1pc
D	Bottom board of the cabinet 	1pc	J	Back of drawers 	1pc
E	Horizontal bar below 	2pcs	K	Drawer bottom board 	1pc
F	Back panel of the cabinet 	1pc	L	Cabinet legs 	4pcs

Hardware (Each of the above hardware including extra 1 pc)

Label	Picture	Description	Q.ty
①		Cam bolt Ø 6.5 x 35mm	20+1
②		Cam lock Ø 15 x 12mm	12+1
③		Cam lock Ø 12 x 10mm	8+1
④		Wooden dowel (8x30mm)	8+1
⑤		Screwdriver (Not provided)	1

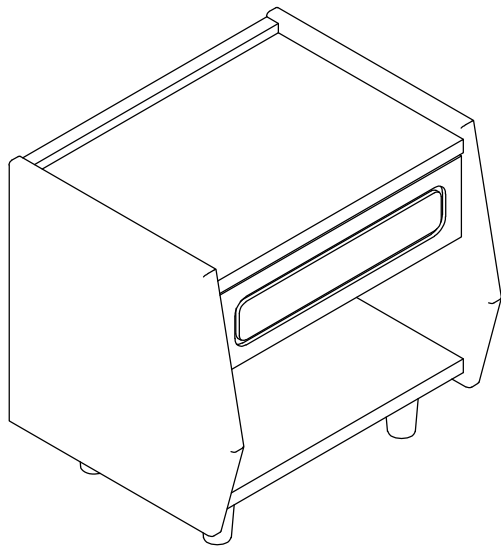
Assembly Preparation

Before Beginning Assembly








Assembly Preparation

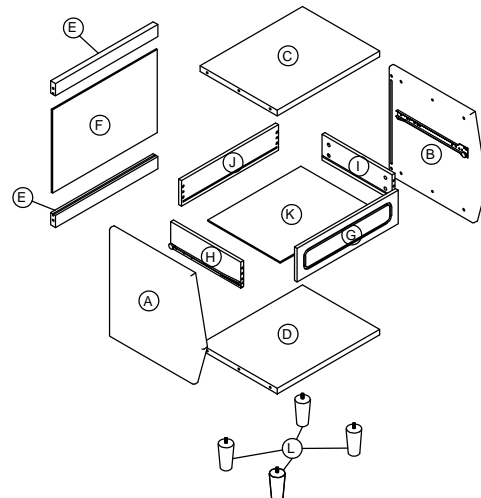
Overview



FRONT FACING

-  • Read instruction, cover to cover.
-  • Have 2 adults on hand for assembly.
-  • Do not assemble on flooring or carpet.
-  • Assemble on a clean non-marring surface (packing foam).
-  • Save all packaging until finished.

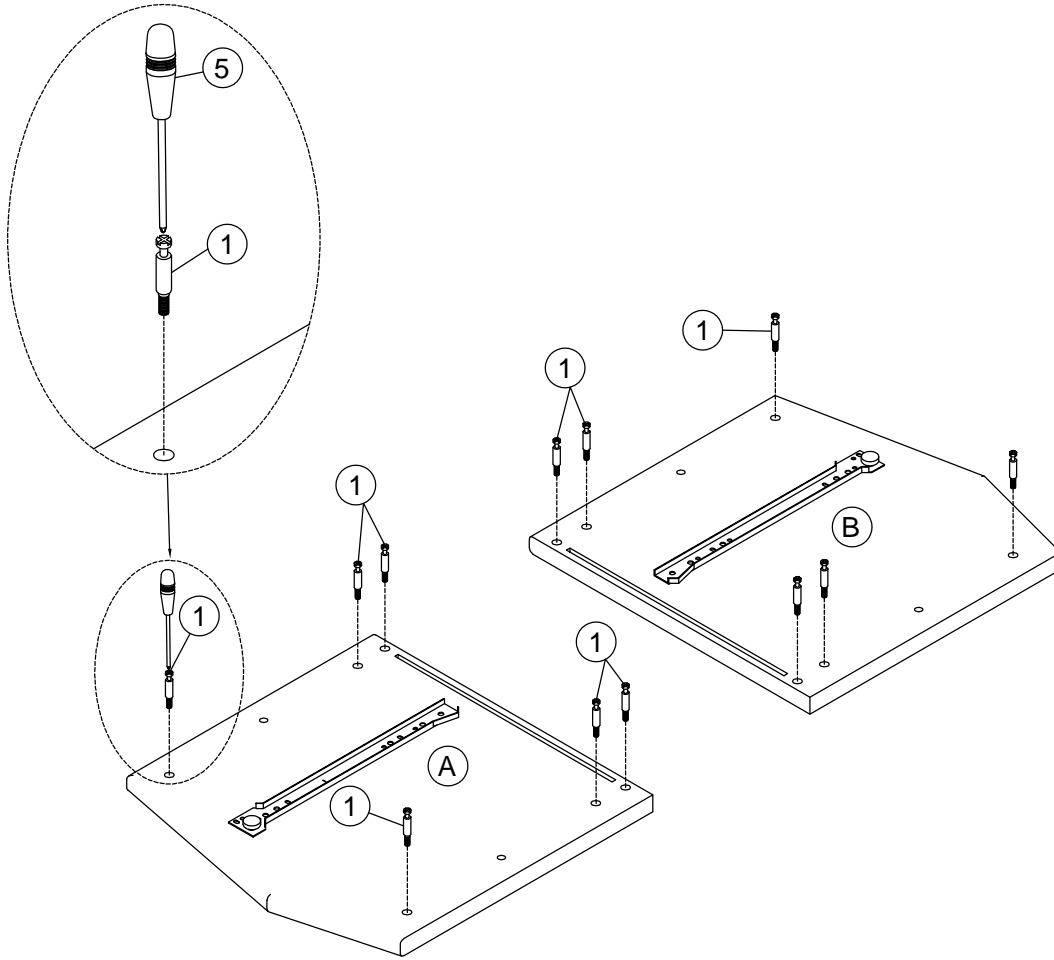
Step 1:



This Night stand has multiple parts and may require up to 1 hour to assemble. To give you an overview of the Night stand parts, the above picture is to help you put the various parts into perspective. Please read through the instructions herebelow to familiarise the parts and steps before assembly.

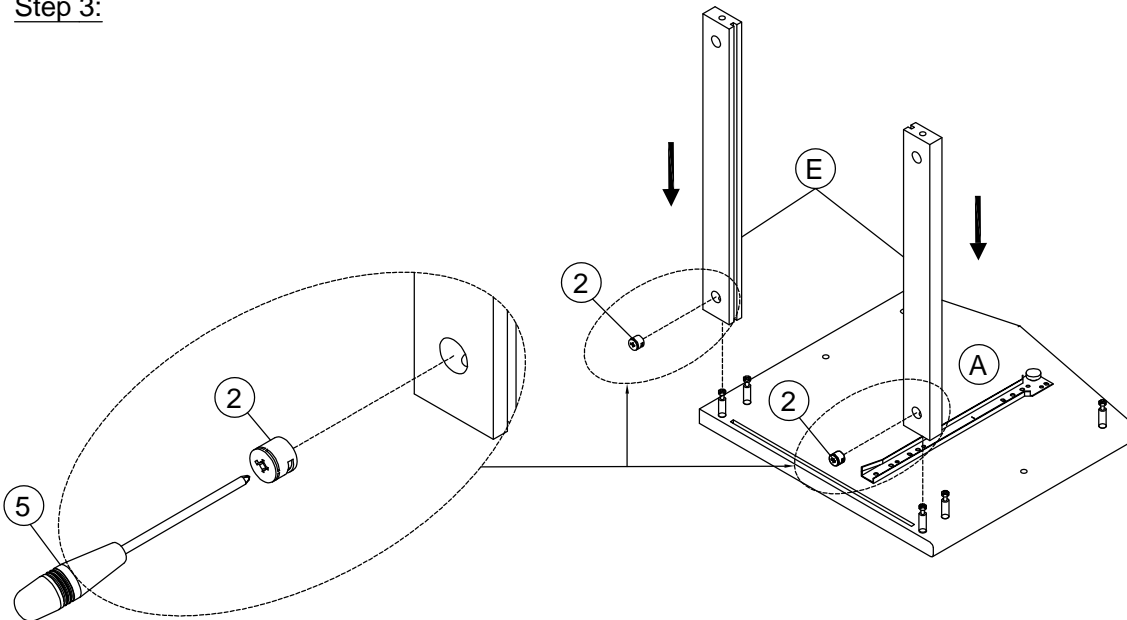
Unpack and place all part on a clean, non-marring surface.

Step 2:



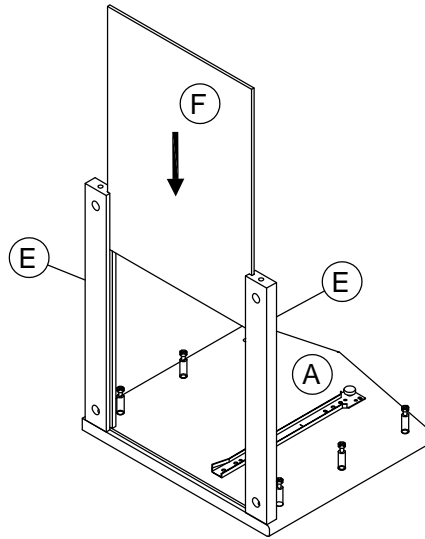
-Assemble Cam bolt $\text{\O} 6.5 \times 35\text{mm}$ (1) into the Left side panel (A) and Right side panel (B) using a (5) screwdriver as shown in the image.

Step 3:



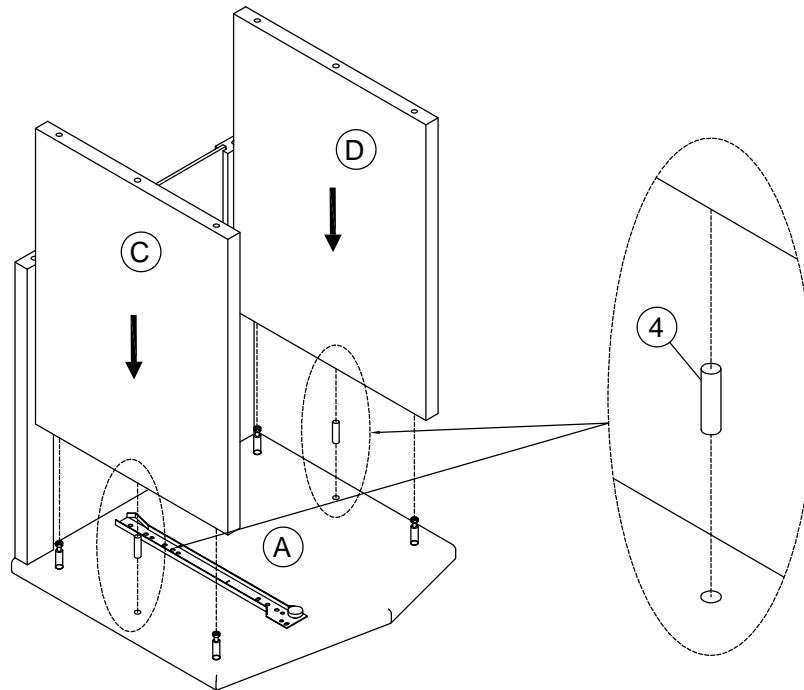
Next, in step 2, attach the Horizontal bar below (E) to the Left side panel (A) using Cam bolt $\text{\O} 6.5 \times 35\text{mm}$ (1) , Cam lock $\text{\O} 15 \times 12\text{mm}$ (2) , and Screwdriver (5) as shown in the image.

Step 4:



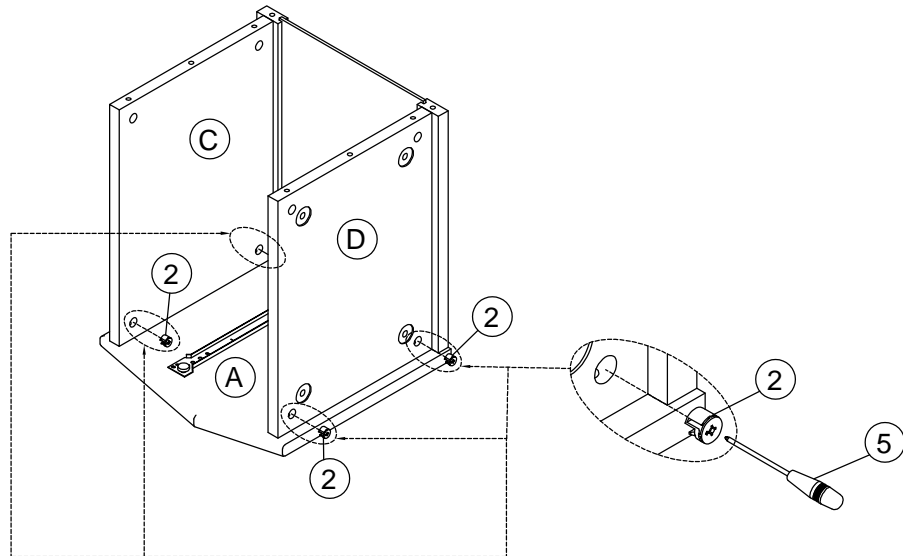
-Assemble the Back panel of the cabinet (F) to the assembly completed in step 3 as shown.

Step 5:



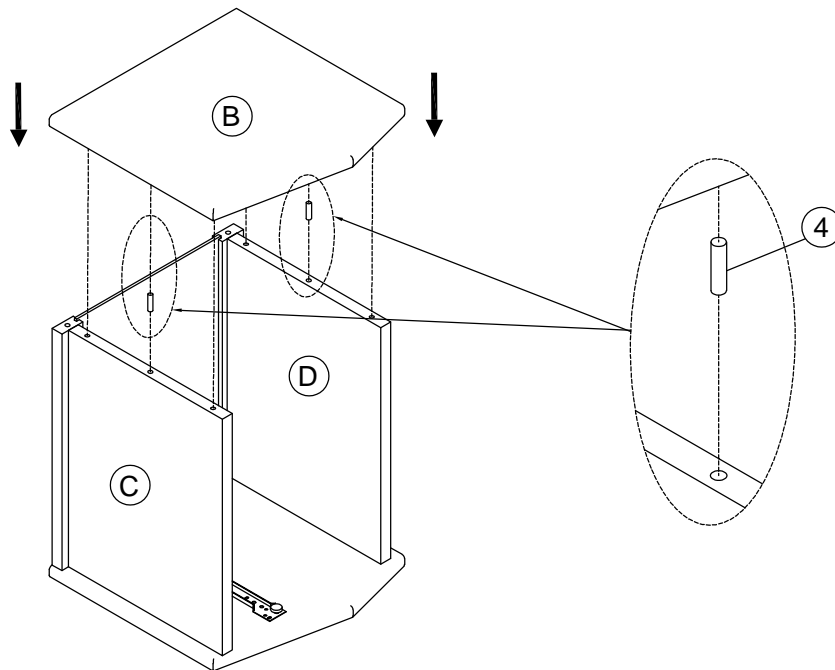
-Assemble the Top panel of the cabinet (C) and the Bottom board of the cabinet (D) to the assembly completed in step 4 using Wooden dowel (4) as shown in the image.

Step 6:



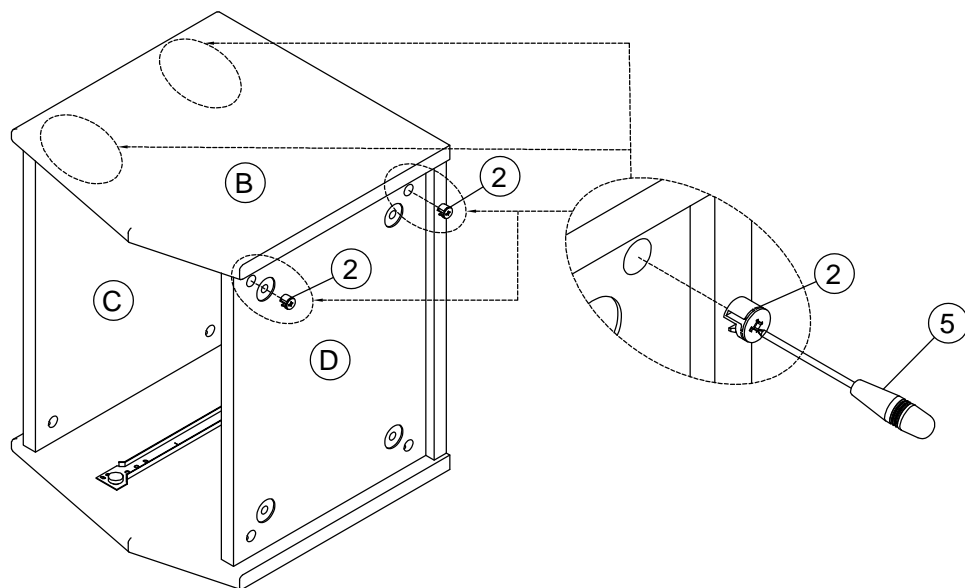
-After completing step 5, we connect the components using Cam bolt $\text{\O} 6.5 \times 35\text{mm}$ (1), Cam lock $\text{\O} 15 \times 12\text{mm}$ (2), and Screwdriver (5) as shown in the image.

Step 7:



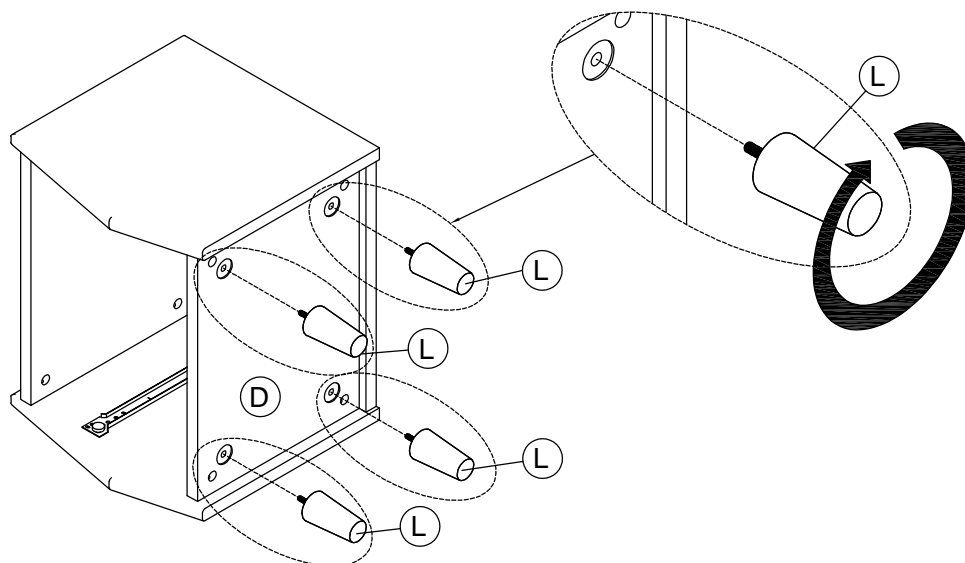
-Assemble the Right side panel (B) to the assembly completed in step 6 using a wooden dowel (4) as shown in the image

Step 8:



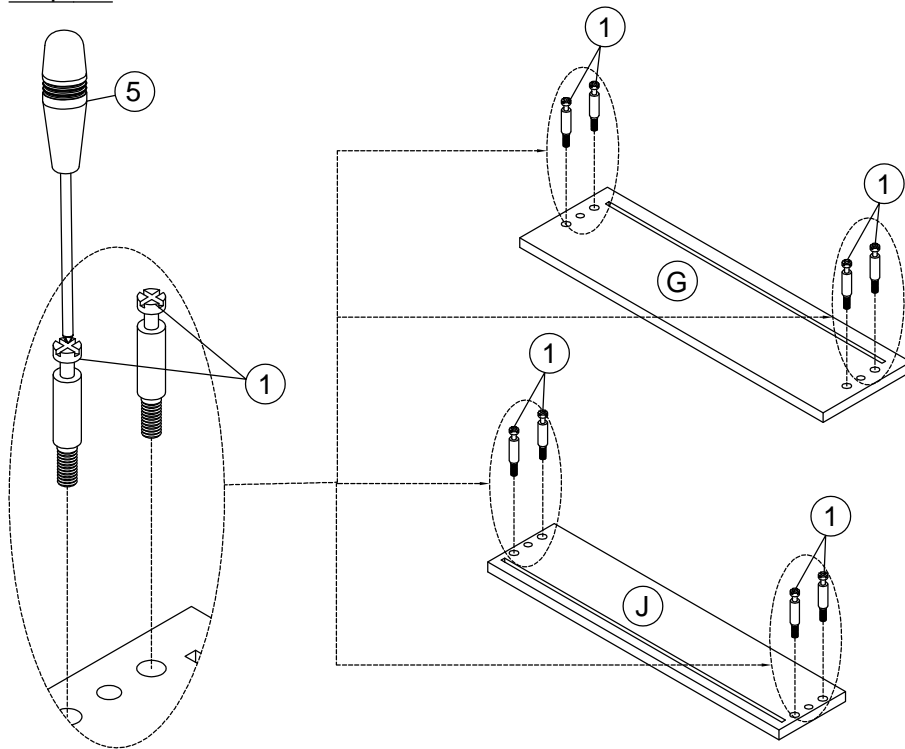
-After step 7, connect the components Cam bolt $\text{\O} 6.5 \times 35\text{mm}$ (1), Cam lock $\text{\O} 15 \times 12\text{mm}$ (2), and Screwdriver (5) as shown in the image.

Step 9:



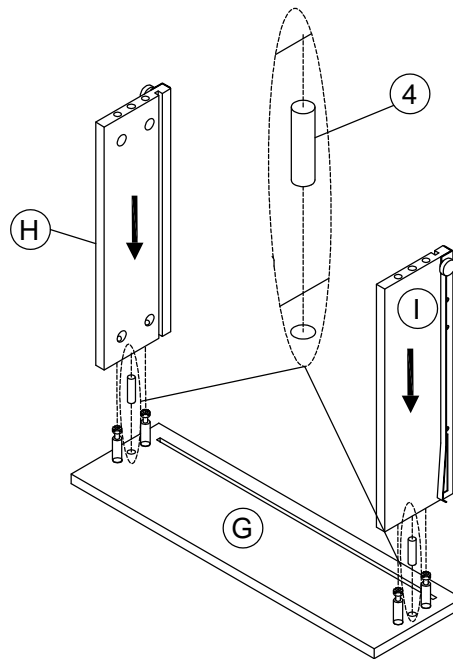
Assemble the Cabinet legs (L) into the assembly in step 8 as shown in the picture.

Step 10:



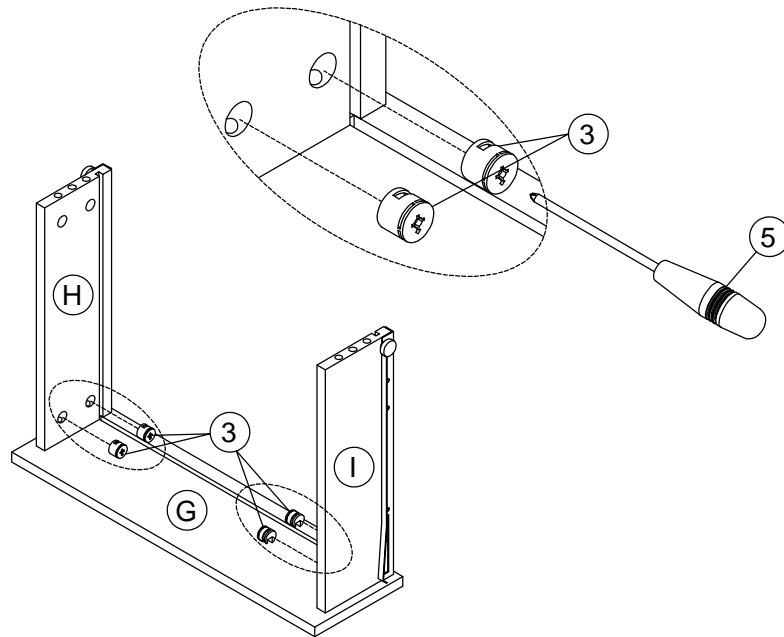
-Assemble Cam bolt $\text{\O} 6.5 \times 35\text{mm}$ (1) into the Main side of the drawer (G) and the Back of the drawers (J) using a Screwdriver (5) as shown in the image.

Step 11:



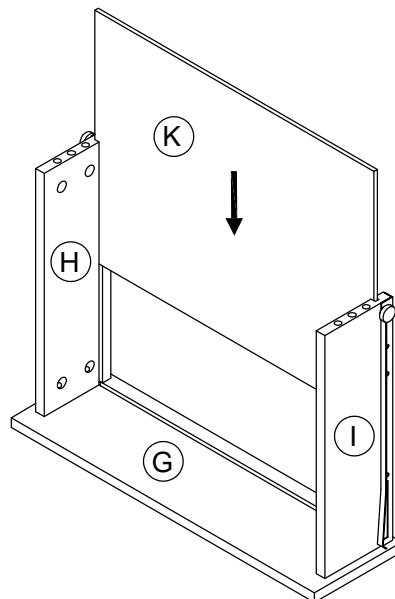
-Assemble the Left side of the drawer (H) and the Right side of the drawer (I) into the assembly in step 10 using Wooden dowel (4) as shown in the image.

Step 12:



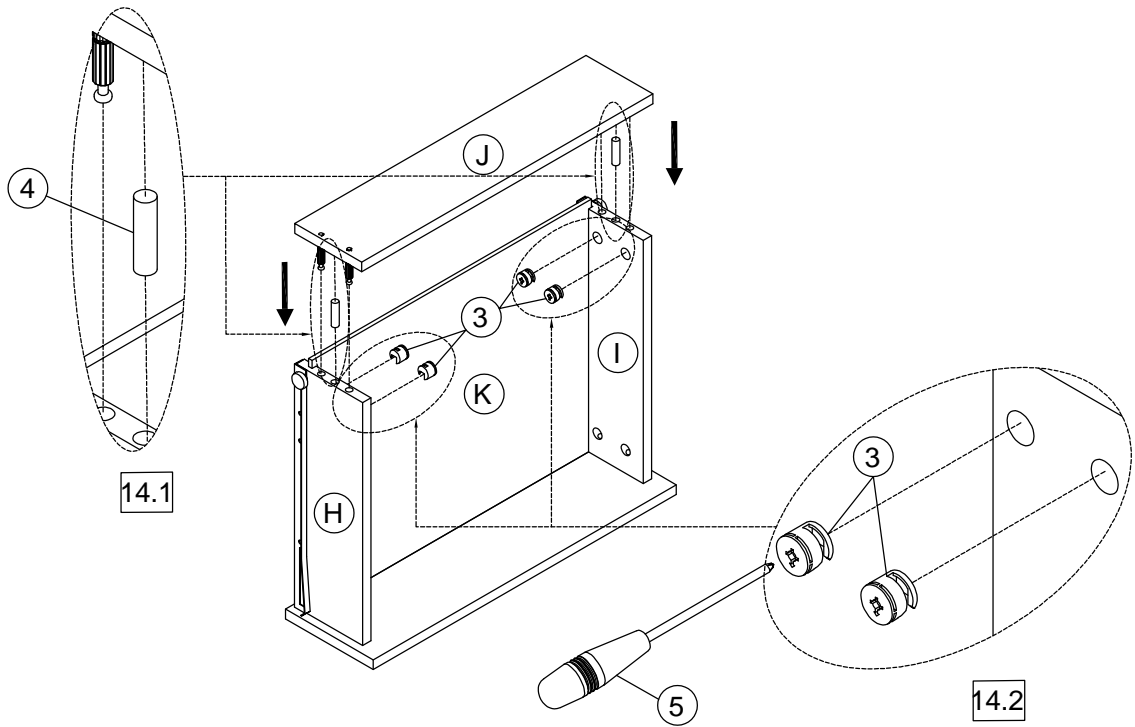
-The components are connected using Cam bolt $\text{\O} 6.5 \times 35\text{mm}$ (1), Cam lock $\text{\O} 12 \times 10\text{mm}$ (3), and Screwdriver (5) as shown in the image.

Step 13:



-Assemble the Drawer bottom board (K) into the assembly completed in step 12 as shown in the picture.

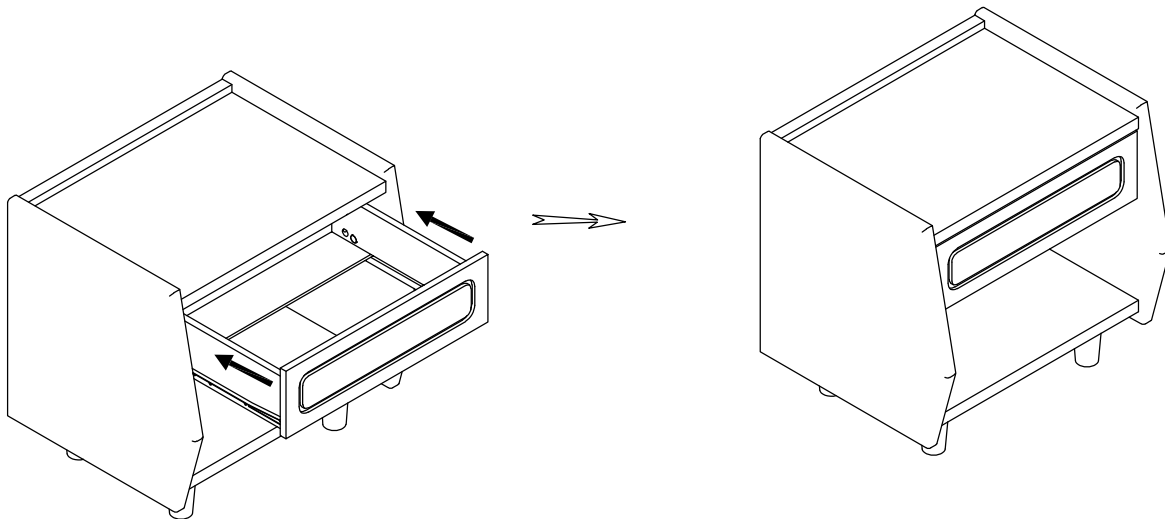
Step 14:



14.1: Assemble the Back of the drawers (J) to the unit just assembled in step 13 using a wooden dowel (4) as shown in the picture.

14.2: Connect using cam bolt \varnothing 6.5 x 35mm (1), cam lock \varnothing 12 x 10mm (3), screwdriver (5) as shown in the image.

Step 15:



**Inspect the Night stand and make sure all parts are adequately connected.
Adjust the Levelers to desired height to avoid wobbles.
Your Night stand is ready for use.**

CARE INSTRUCTIONS:

**Hardware may loosen overtime. Periodically check that all connections are tight.
Wipe with a soft, dry cloth. To protect finish, avoid the use of chemicals and household cleaners.**