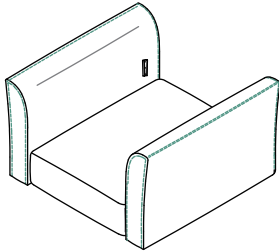
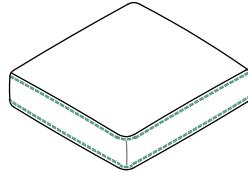


# ASSEMBLY INSTRUCTION

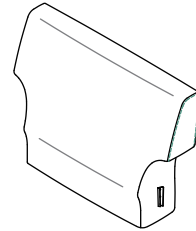
---

**A** Seat Frame

1pc

**B** Seat Cushion

1pc

**C** Backrest

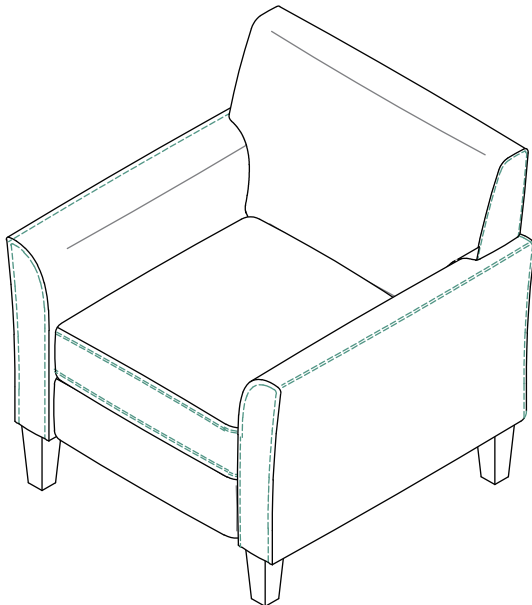
1pc

---

**D** Leg

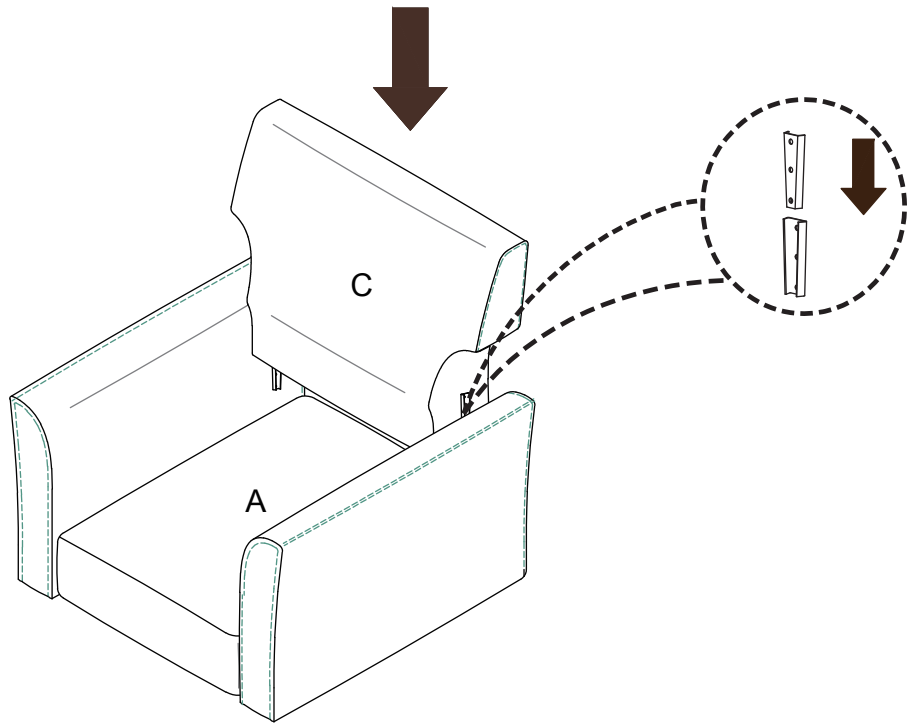
4pcs

---

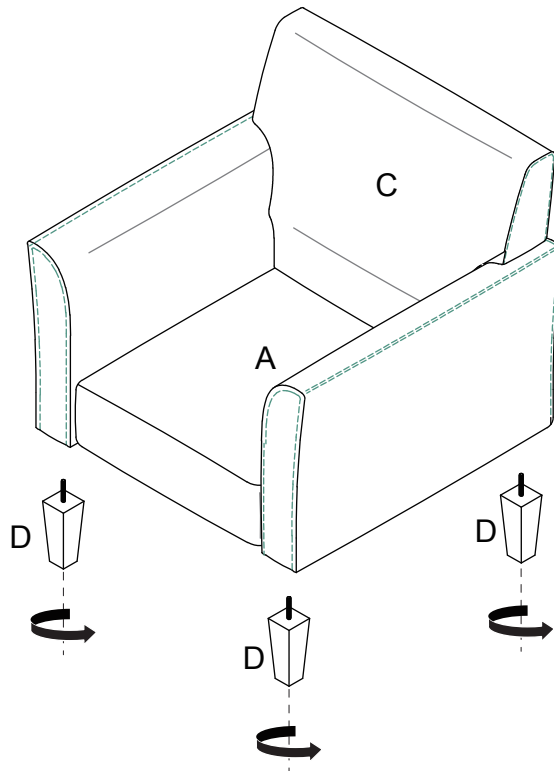


This page lists all the contents included in the box. Please take the time to identify the hardware as well as the individual components to this product. As you unpack and prepare for assembly, place the contents on a carpeted or padded area to protect them from damage.

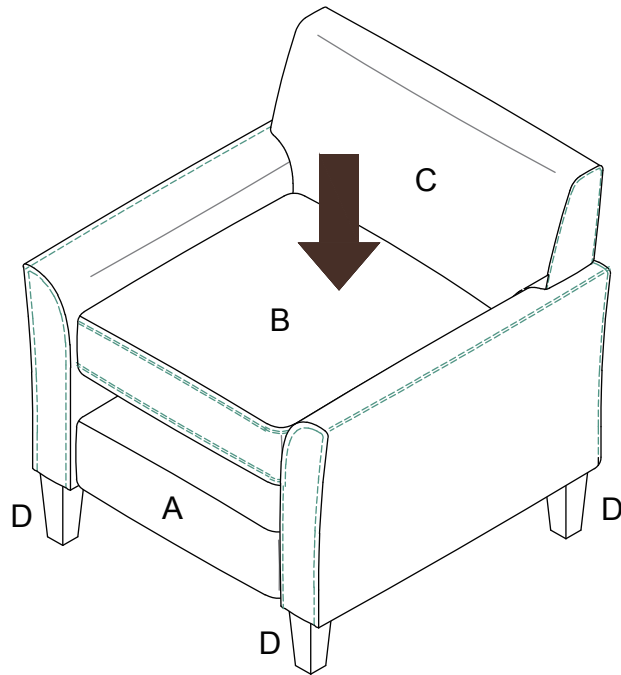
**1** Attach the Backrest(C) to the Seat Frame(A).



**2** Attach the Leg(D) to the Seat Frame(A).



**3** Put the Seat Cushion(B) to the Seat Frame(A). Please make sure tighten all the legs.



---

### Cleaning & Care

Treat surface with care. Surface is resistant to scratches but is not scratch resistant. Clean surfaces with a dry or damp soft cloth. Do not use abrasive cleaners. Hardware may loosen over time. Periodically check that all connections are tight.