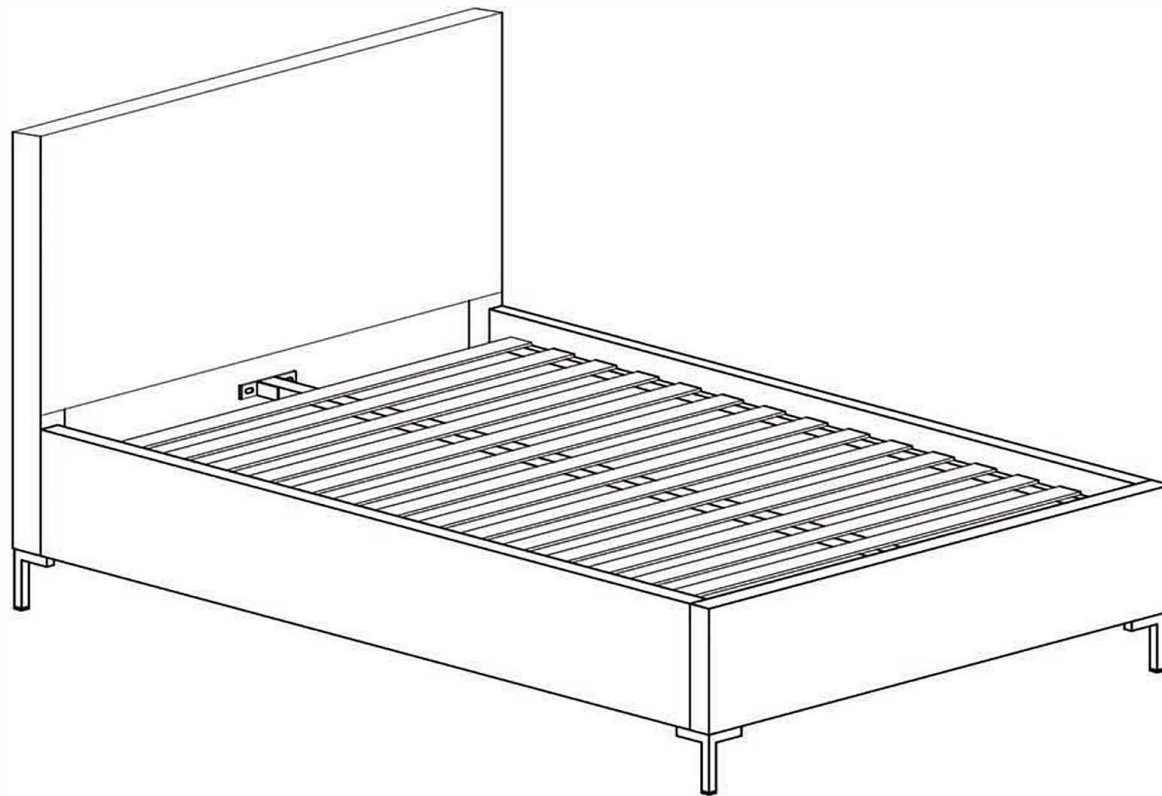


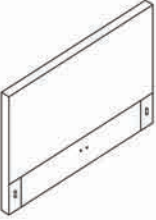
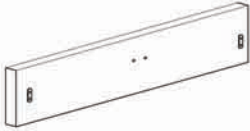
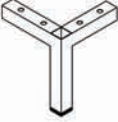

ASSEMBLY INSTRUCTIONS.

KING BED



THANK YOU FOR YOUR PURCHASE!

PARTS AND HARDWARE.

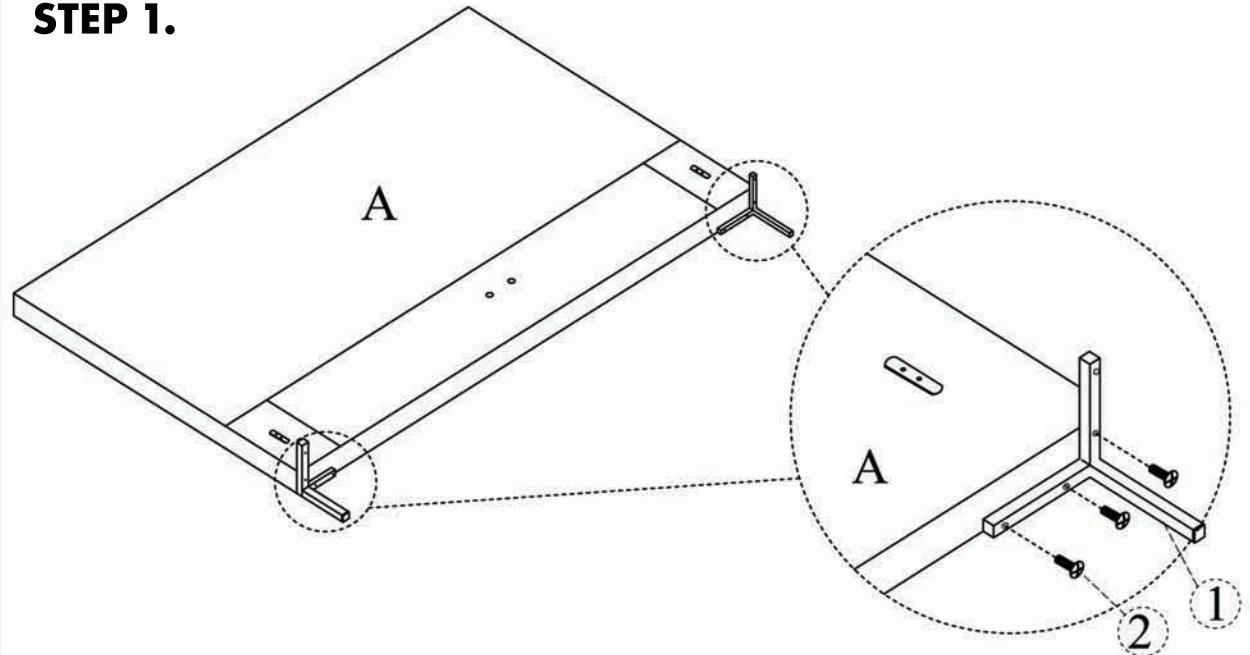
	
Ⓐ Headboard=1pc	Ⓑ Footboard=1pc
	
① Feet=4pcs	② X 12

NOTES.

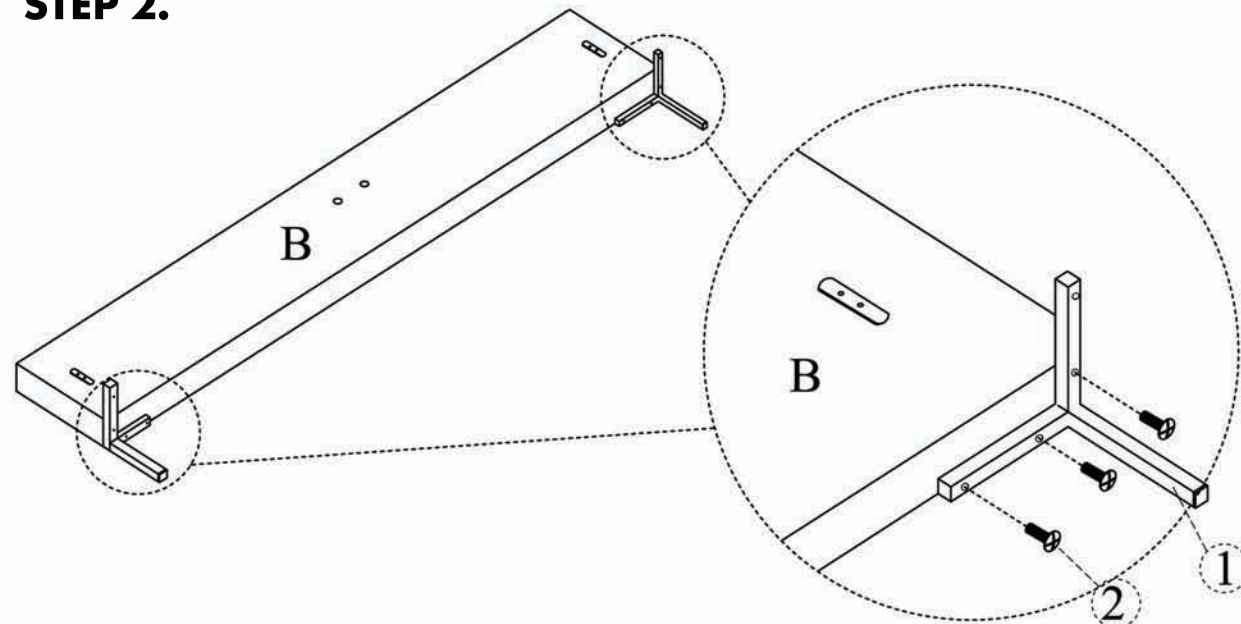
Thank you for purchasing this quality product! Be sure to check all packing material careful for small part that may have come loose inside the carton during shipping.

CAUTION: The item is heavy, assembly should be performed by two people.





STEP 1.



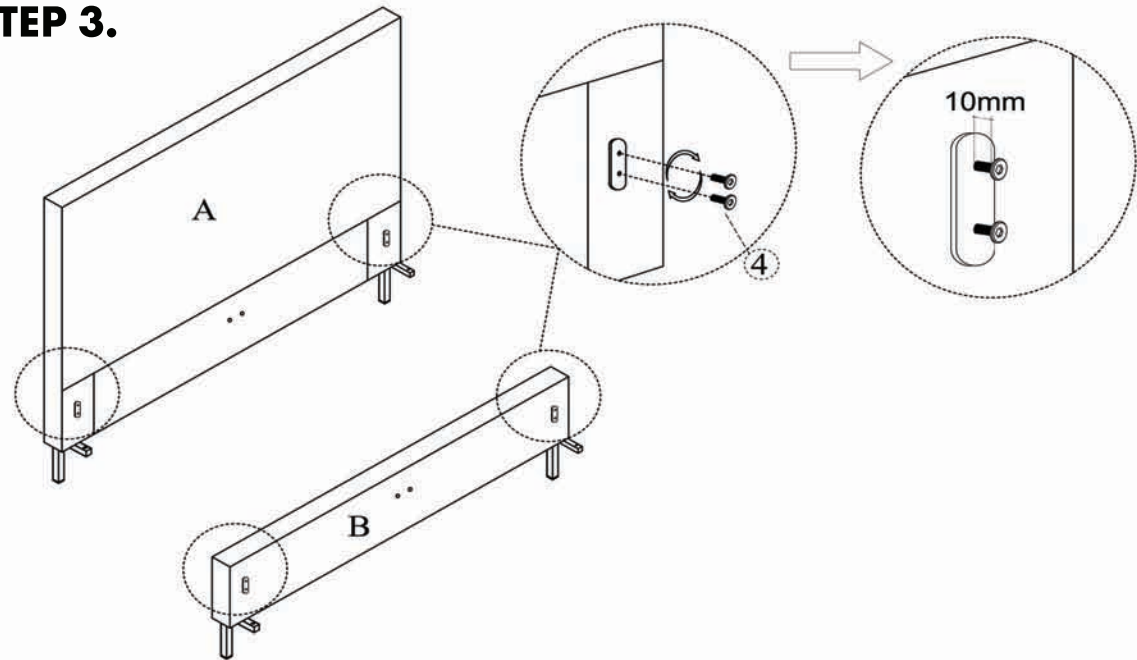
STEP 2.



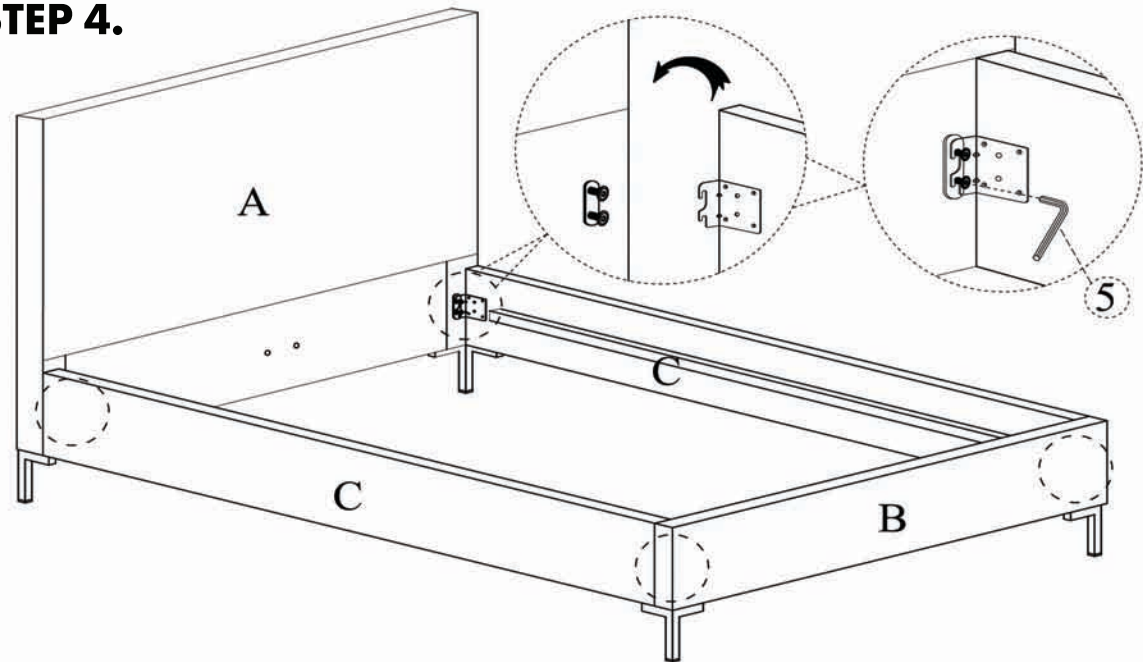
PARTS AND HARDWARE.

	
Ⓒ Side Rails=2pcs	Ⓓ Centre Rail=1pc
	
④ Bolts (M8*18)=8pcs	⑤ Allen Key=1pc

STEP 3.



STEP 4.









NOTES.

Thank you for purchasing this quality product! Be sure to check all packing material careful for small part that may have come loose inside the carton during shipping.

CAUTION: The item is heavy, assembly should be performed by two people.

PARTS AND HARDWARE.

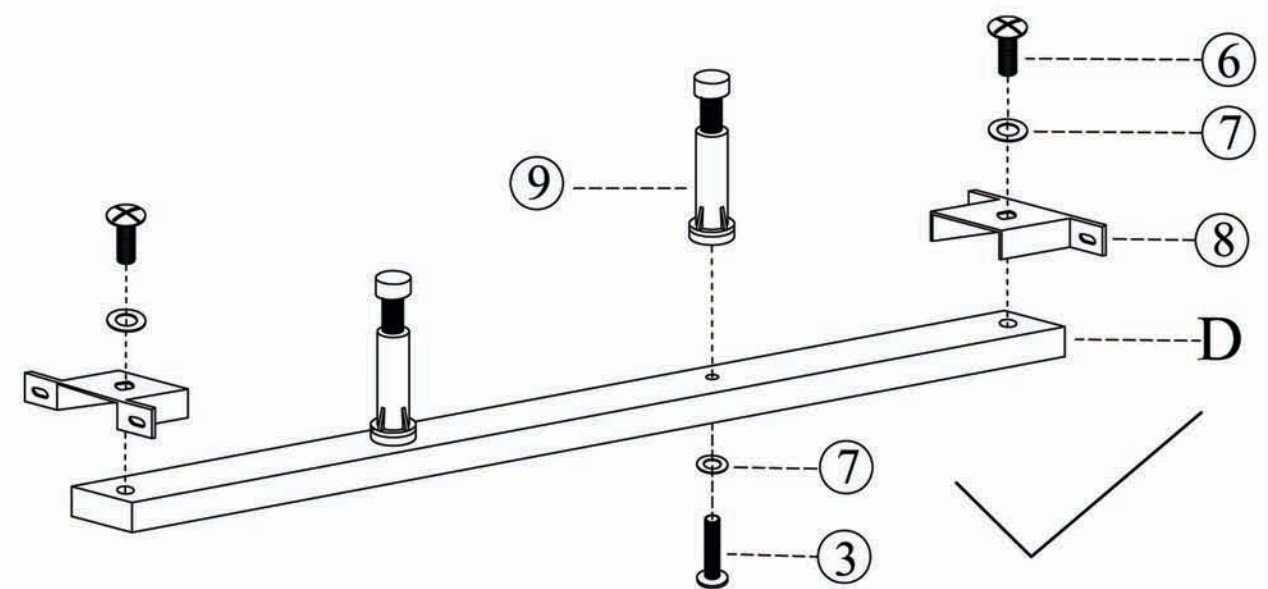
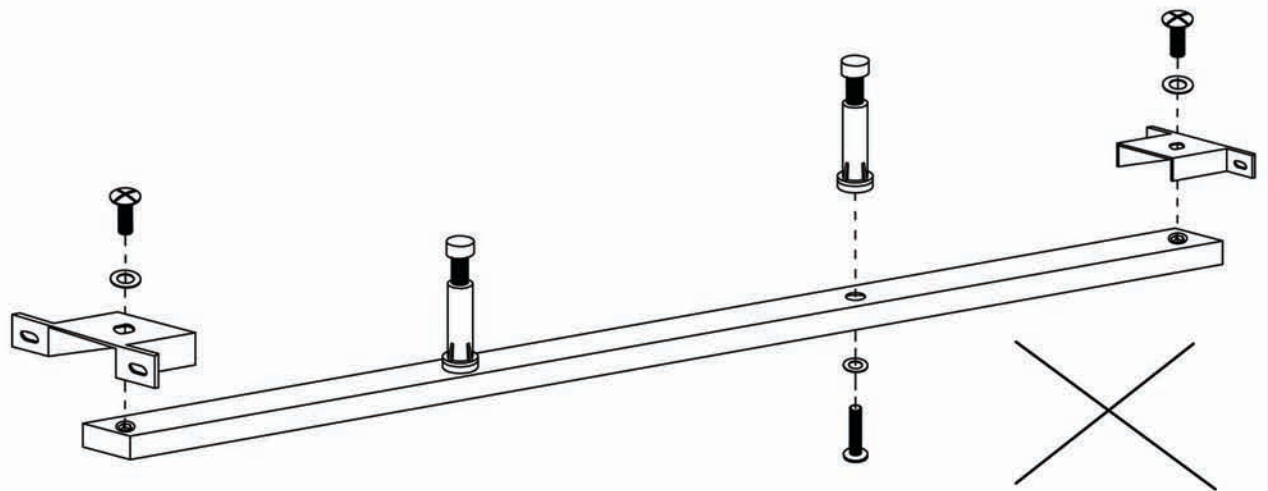
	
Center Rail D X 1	Bolts (M8*40) ③ X 2
	
Bolts (M8*20) ⑥ X 2	Washers ⑦ X 4
	
Brackets ⑧ X 2	Plastic Support legs ⑨ X 2

NOTES.





Thank you for purchasing this quality product! Be sure to check all packing material careful for small part that may have come loose inside the carton during shipping.

CAUTION: The item is heavy, assembly should be performed by two people.

STEP 5.



PARTS AND HARDWARE.

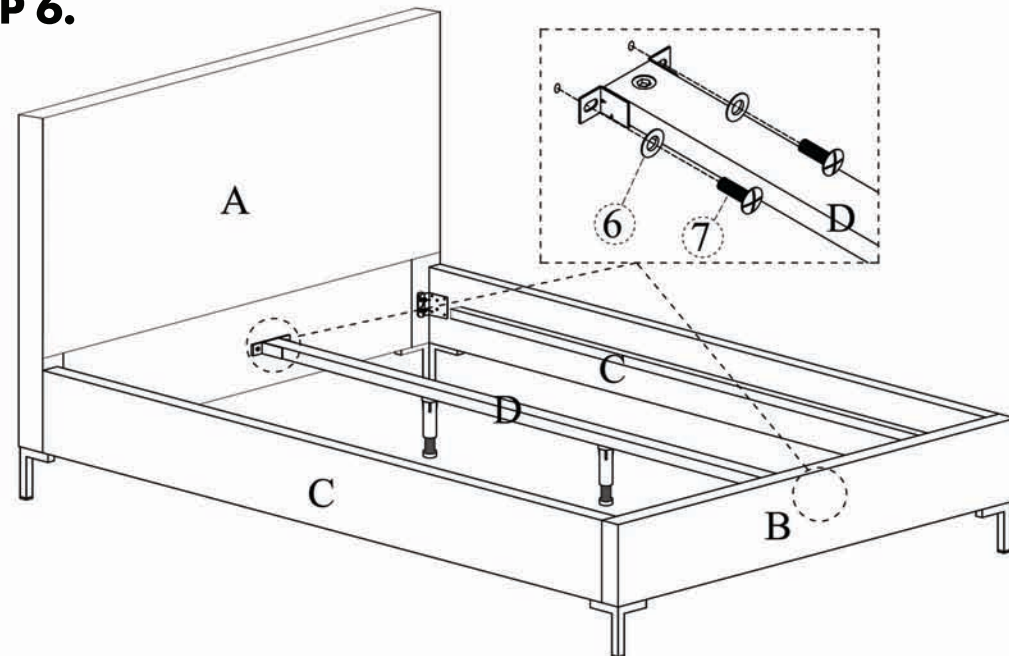
	
Ⓔ Slats=1pc	Ⓔ Bolts (M8*20)=4pcs
	
Ⓔ Washers(m8)=4pcs	Ⓔ Screws (m8*32)=42pcs

NOTES.

Thank you for purchasing this quality product!
Be sure to check all packing material careful
for small part that may have come loose
inside the carton during shipping.

CAUTION:The item is heavy, assembly
should be performed by two people.

STEP 6.



STEP 7.

