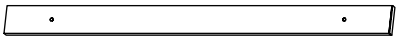
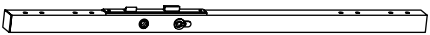
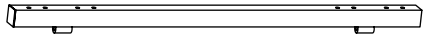
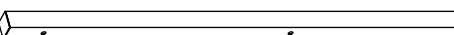
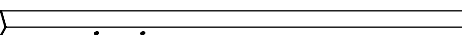
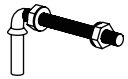
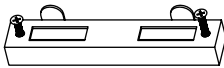
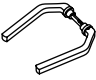
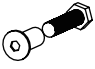

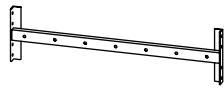
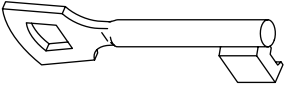
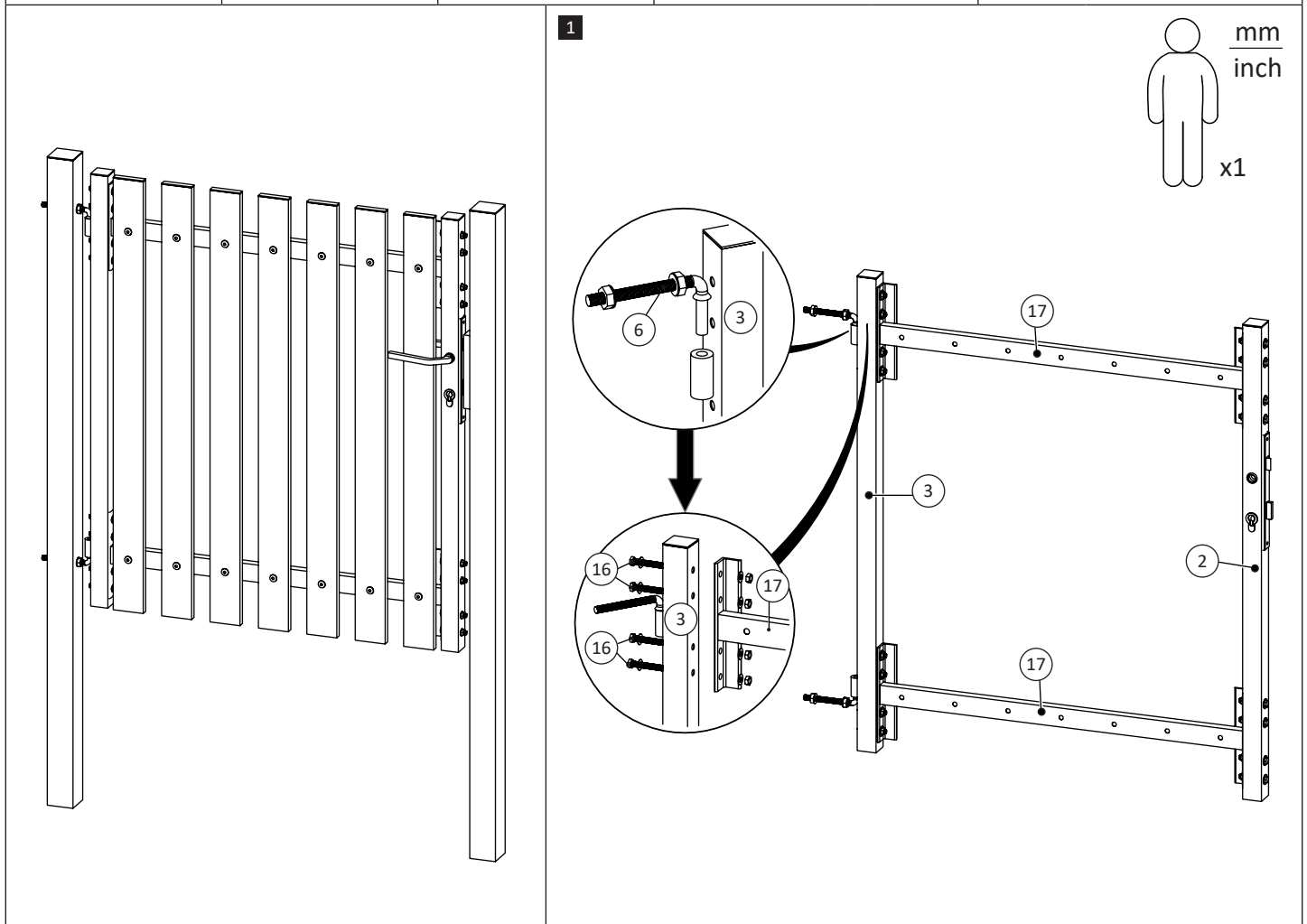
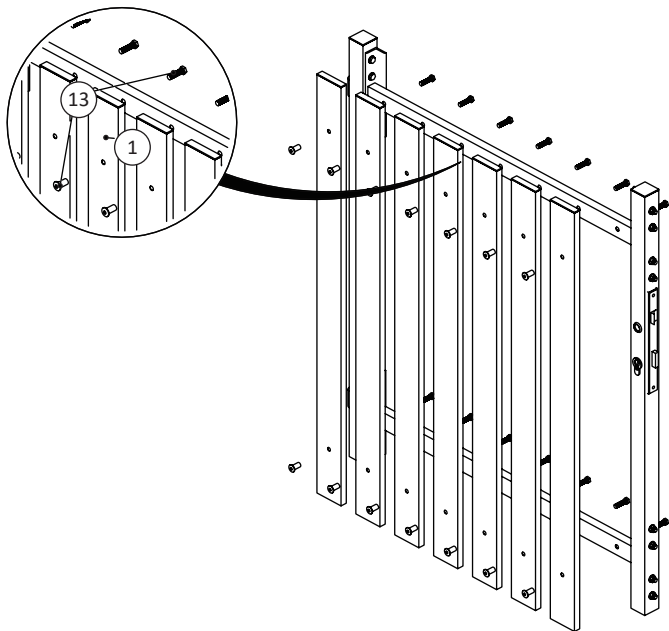


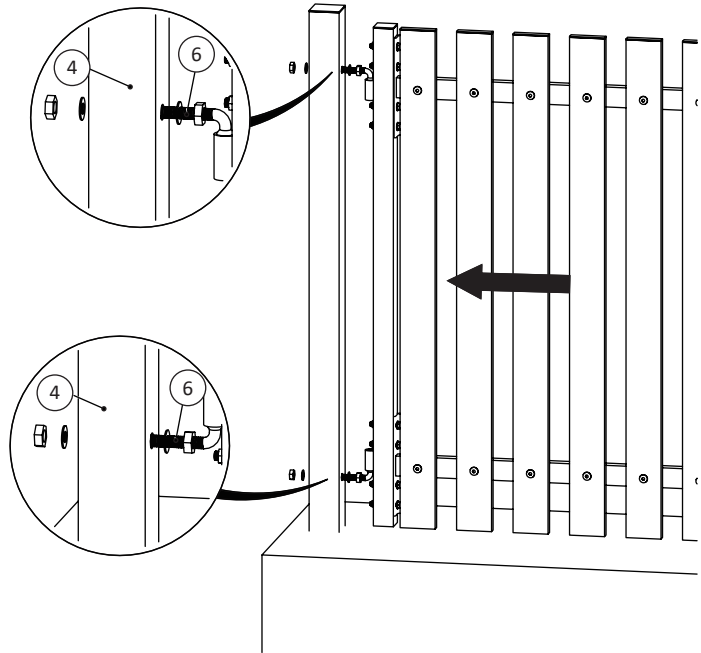
| | | | | |
|---|---|---|---|---|
| <p>① x7</p>  | <p>② x1</p>  | <p>③ x1</p>  | | |
| <p>④ x1</p>  | <p>⑤ x1</p>  | <p>⑥ x2</p>  | <p>⑨ x1</p>  | |
| <p>⑩ x1</p>  | <p>⑬ x14</p> <p>M8x $\frac{30}{1.2}$</p>  | <p>⑬ x16</p> <p>M8x $\frac{55}{2.2}$</p>  | <p>⑰ x2</p>  | <p>⑲ x3</p>  |



2



3



4

