



DESIGNED BY

24 POSSIBLE VARIATIONS

Stephen Katz

STEPHEN KATZ, AIA

Nan XL

“Geometry In Motion” - Stephen Katz

With its graceful presence and impeccable balance, Nan XL effortlessly enhances any room, offering a refreshing breeze with fully adjustable motor speeds to suit every season. Whether gracing a grand living space or elevating a stylish commercial setting, it feels like a natural extension of its surroundings—quietly powerful, effortlessly elegant. For more compact spaces, the standard Nan fan is available in 42”, 52”, and 60” diameters, ensuring the perfect fit for any design vision. Experience the harmony of innovation and beauty with Nan XL—a ceiling fan that transcends function to become a statement of refined sophistication.





Shown: Matte Black Finish, with 72" Light Maple Tone Blades



 Textured Bronze Finish, with 72" Matte Black Blades

 Matte Black Finish, with 72" Matte Black Blades



 Matte Black Finish, with 72" Gray Ash Tone Blades






 Matte White Finish, with 72" Walnut Tone Blades



 Textured Bronze Finish, with 72" Light Maple Tone Blades

 Brushed Brass Finish, with 72" Matte White Blades

PRODUCT FEATURES

-  DC Motor
-  Silent Motor
-  Handheld Remote
-  30° 30° Slant Ceiling Canopy
-  Wall Control
-  Damp Location
-  Unipack Shipping
-  60° Optional 60° Slant Mount

FAN FEATURES

- Blades (3)**
 - 15° Blade Pitch
 - CNC Cut Solid Wood
- Overall Drop** 12 inches / 30 cm +downrod length
- Fan Weight** 19 lbs
- Fan Diameter** inches: 72
centimeters: 183
- Downrod Lengths**
inches: 5, 10, 18, 24, 36, 48, 60, 72
centimeters: 13, 25, 46, 61, 92, 122, 153, 183
Field cuttable, Non-threaded
- Downrod Diameter** 1 inch
- Voltage** 110 or 220

MOTOR FEATURES

- Motor Type** DC
- Ambience** Silent
- Safety Certification** ETL / CETL
- Warranty** Limited Lifetime

DOE MOTOR EFFICIENCY DATA

- RPM (Low/High)** 50 / 102
- CFM (Low/High)** 3892 / 8681
- Watts (High)** 32
- CFM/Watt (High)** 302

STANDARD EQUIPMENT

- Downrod** 10in / 25cm
- Slant Ceiling Canopy** 30°



Handheld Remote

- 6 Speed
- Motor Off
- Reverse

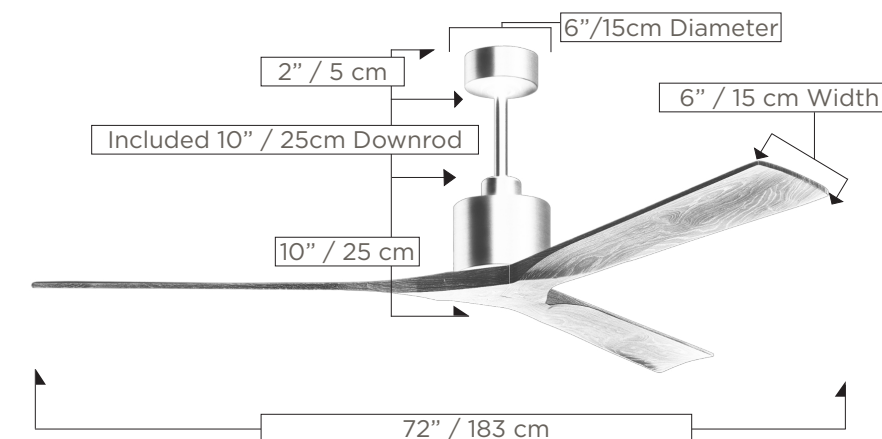


Wireless Wall Control

- 6 Speed
- Motor Off
- Reverse

**For more information see accessory page. 132*

TECHNICAL SPECIFICATIONS



SKU BUILDER

FAN FINISHES

24 POSSIBLE VARIATIONS

Fan Finishes	Blade Finishes
No Light Kit	72"

