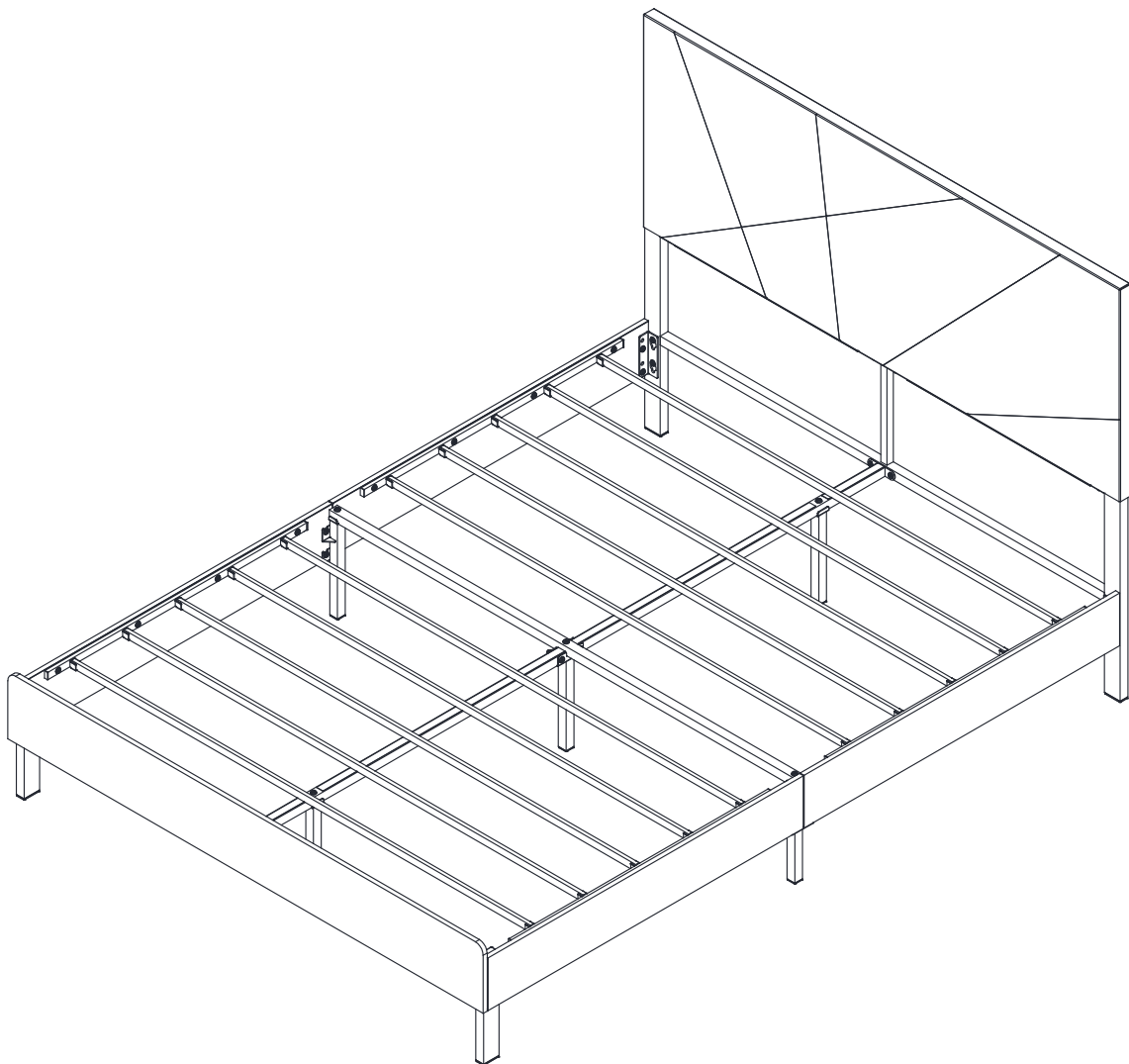
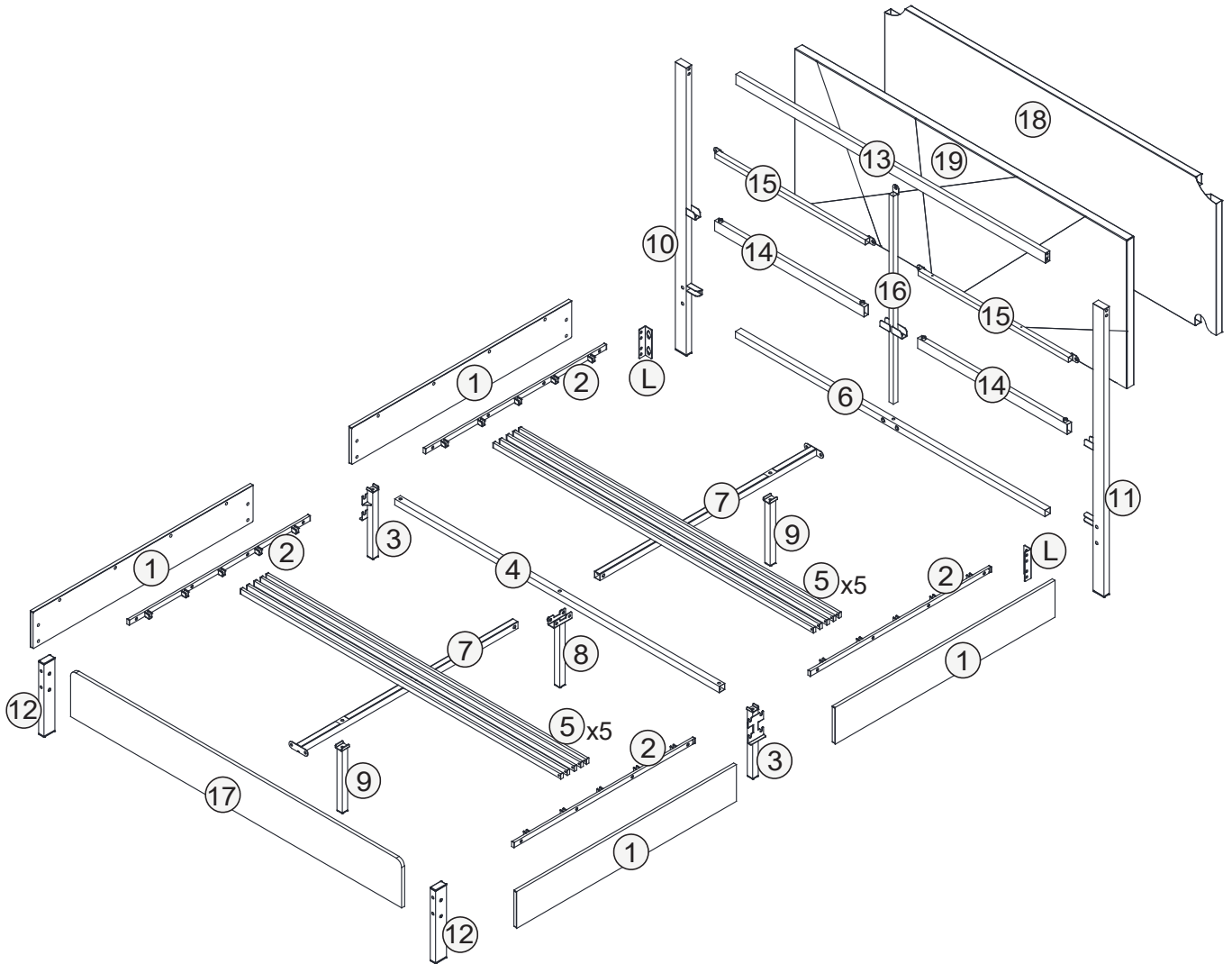


# BED FRAME



Thank you for choosing our products, please assemble and use it following the instructions.

# Assembly Instruction

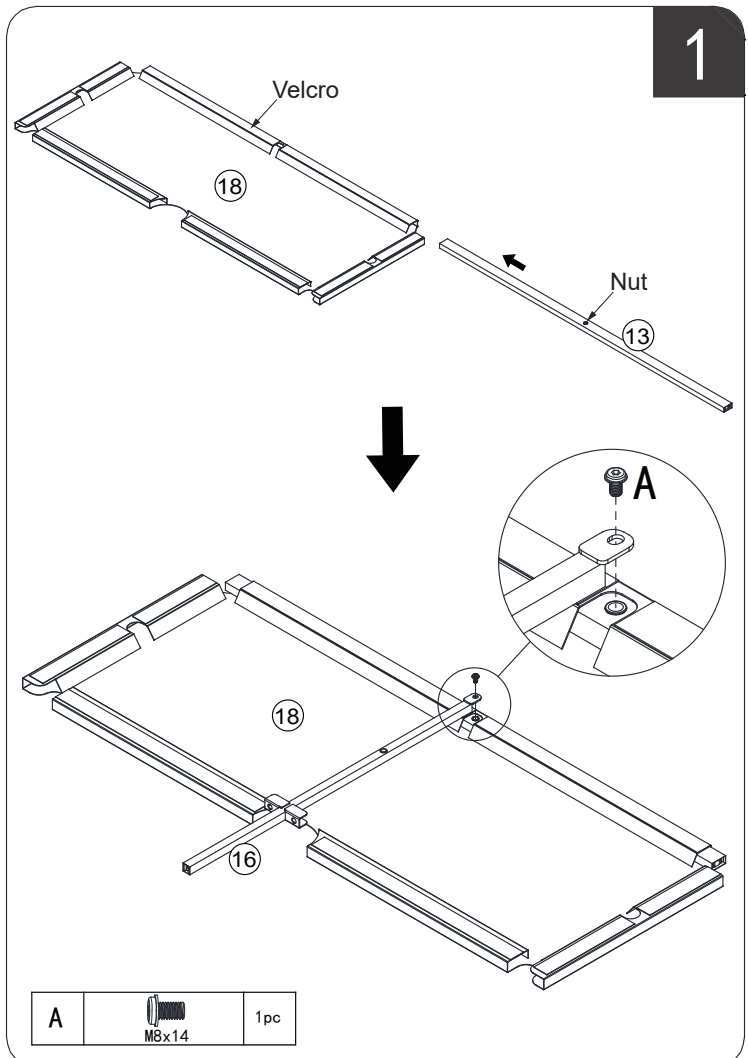
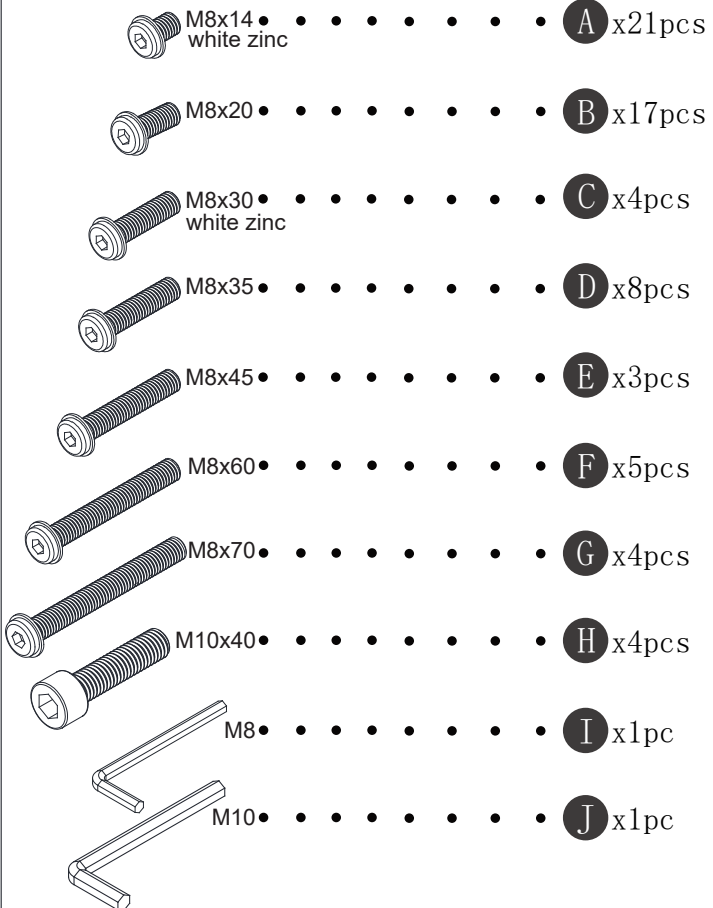
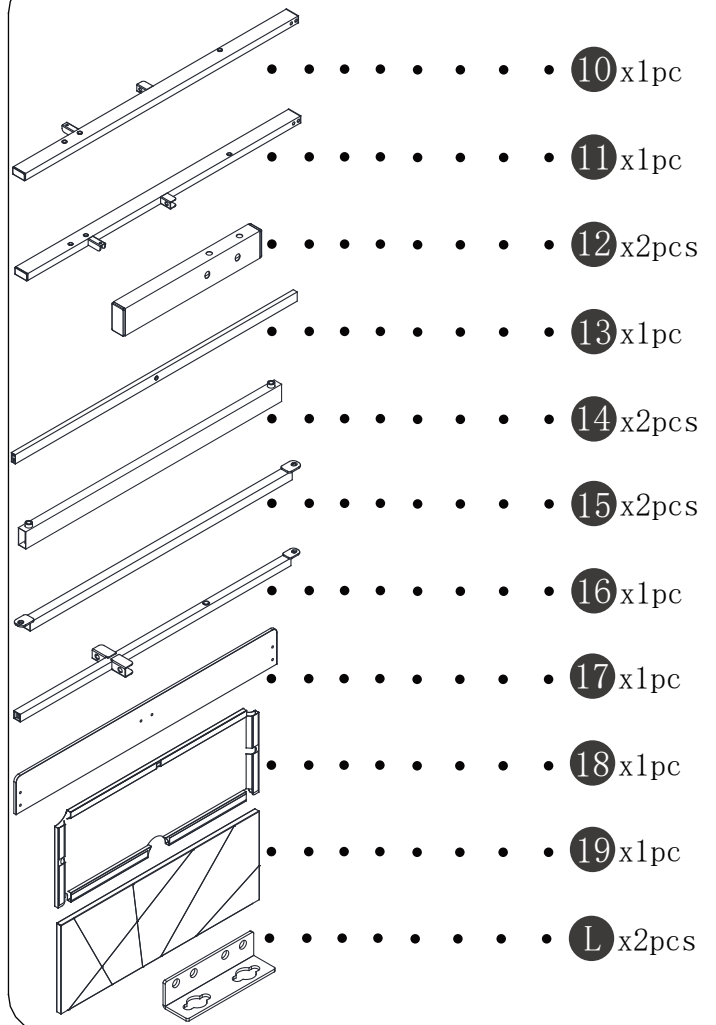
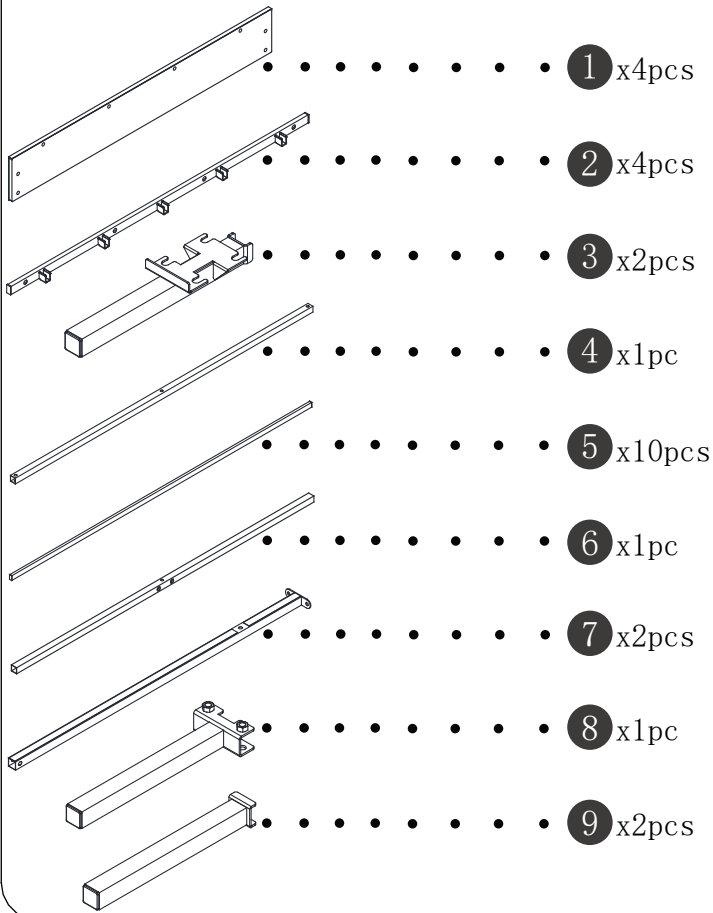


## Important Note

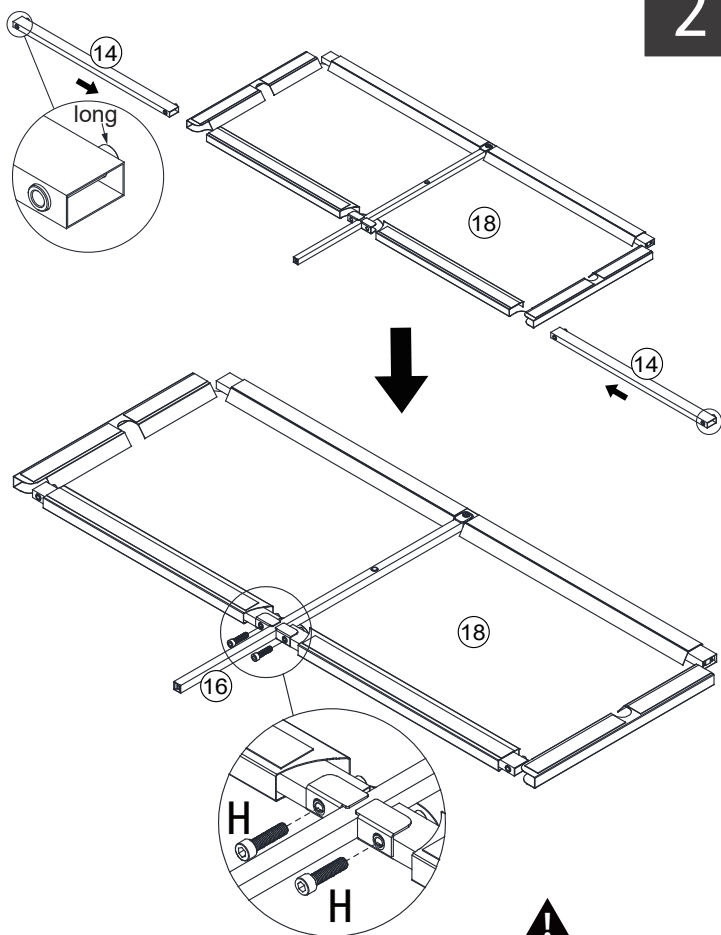
### HARDWARE NOTE :


1. Two or more people are required for assembly
2. Do not screw on the bolts too tight unless the installation is done. Make sure all bolts are tightly screwed before you use it.

# Components



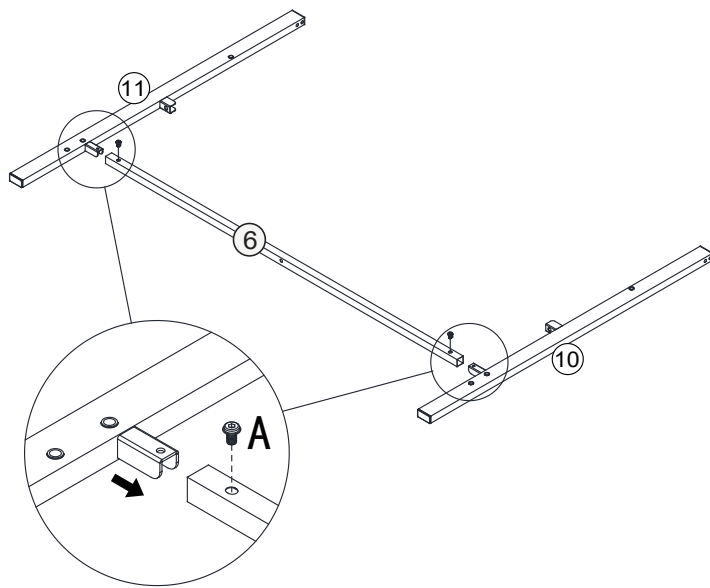
2




H		2pcs
M10x40		

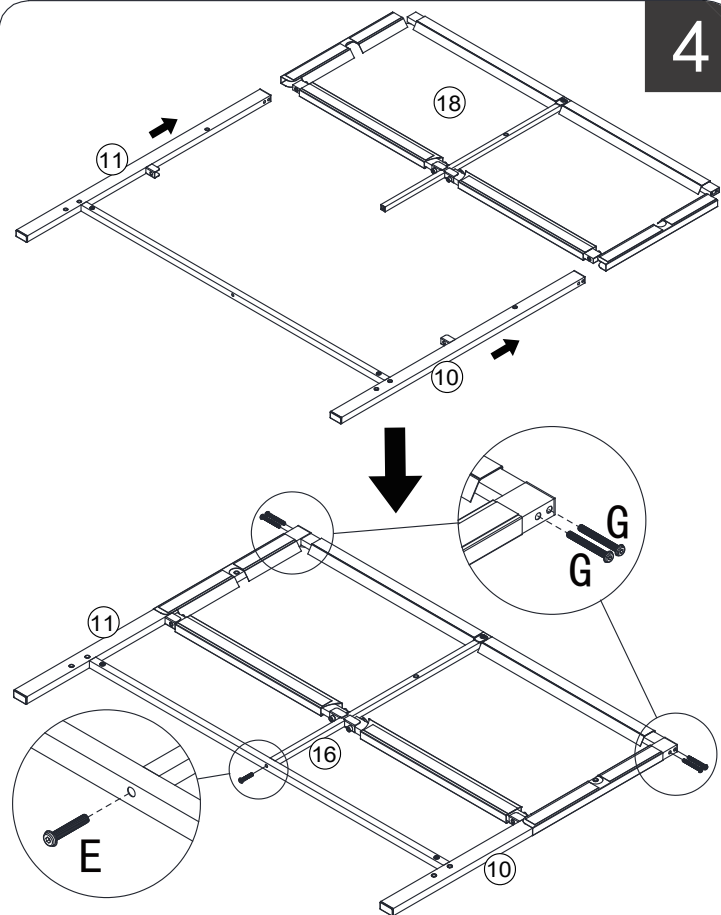
The screws are retracted by 50 percent.



3



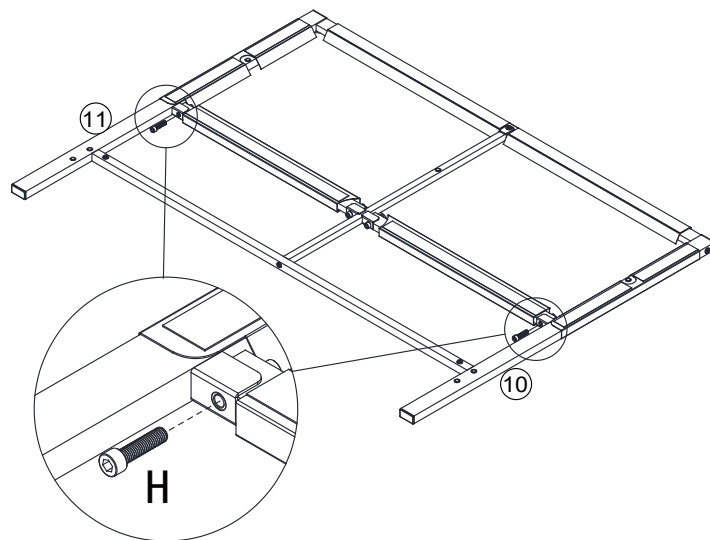
A		2pcs	white zinc
M8x14			


4

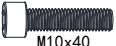


E		1pc
M8x45		
G		4pcs
M8x70		

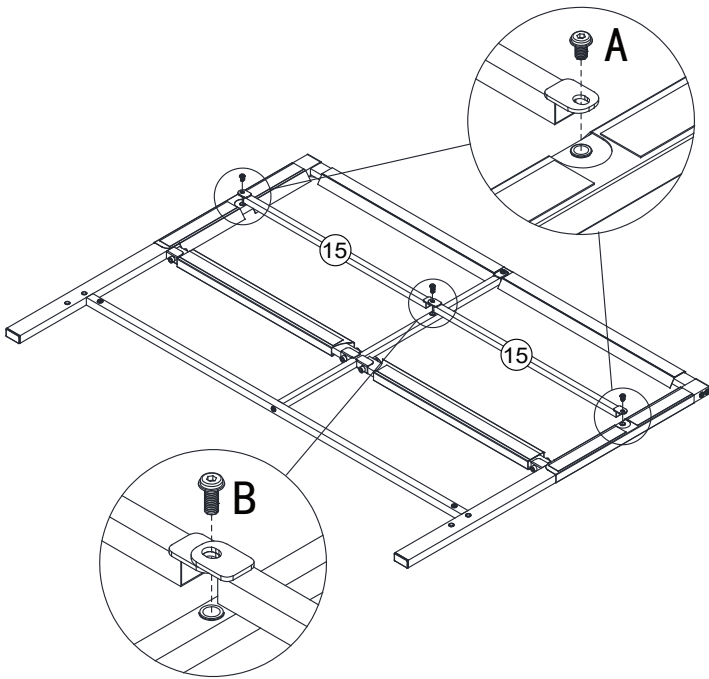
5





 Fully tighten all the screws.

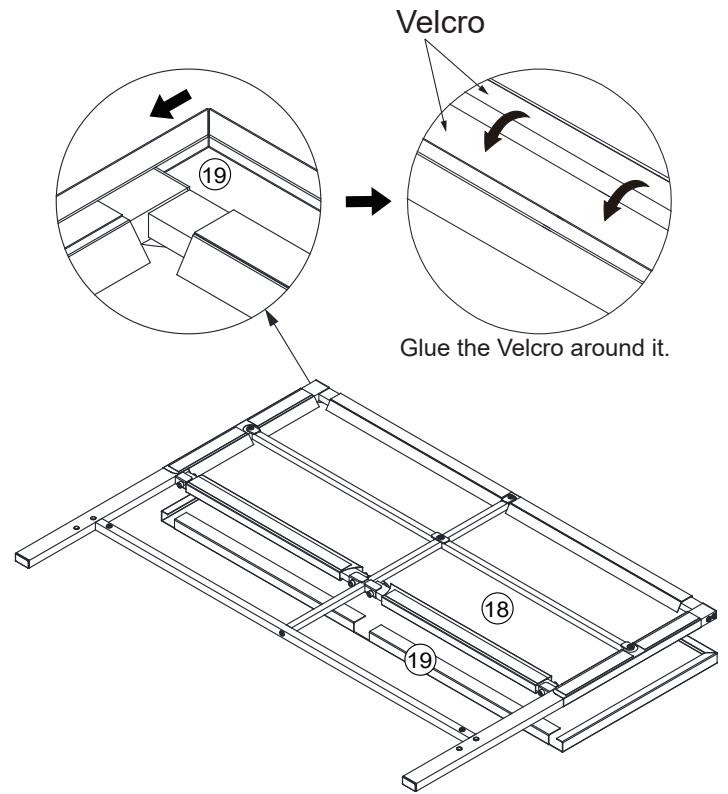
H		2pcs
M10x40		

6

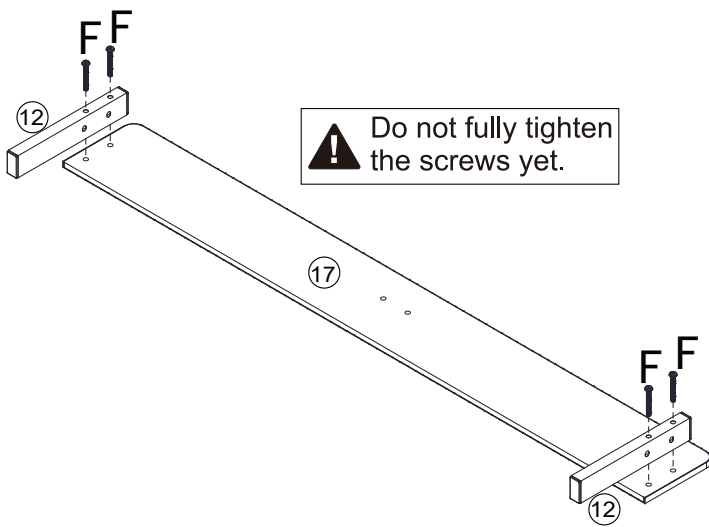


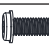
A		2pcs	white zinc
B		1pc	

7



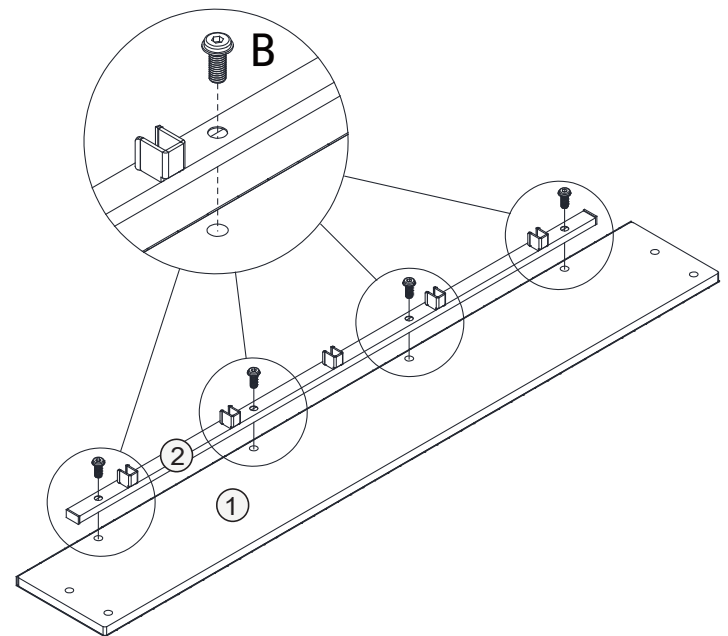
8




F		4pcs	
---	---	------	--

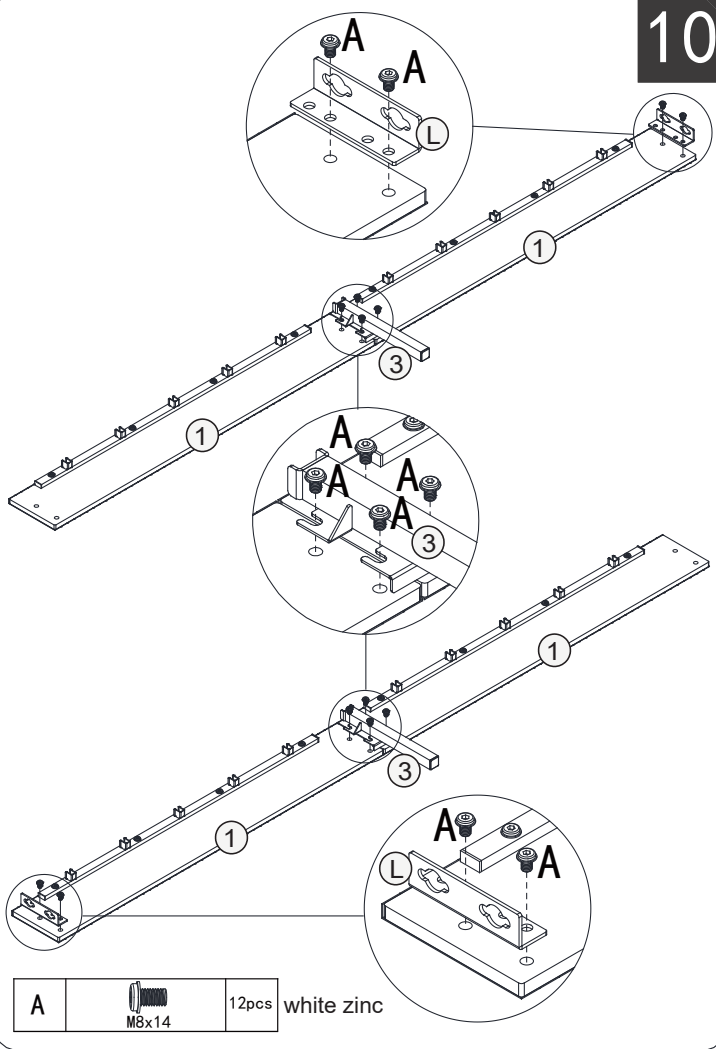
9

x4



B		16pcs	
---	---	-------	--

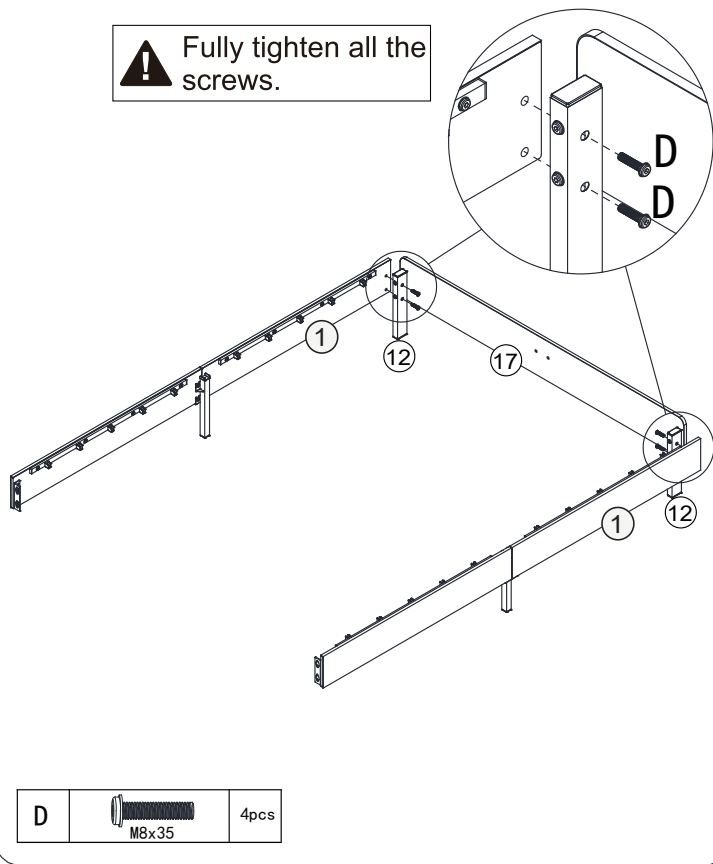
10



A M8x14 12pcs white zinc

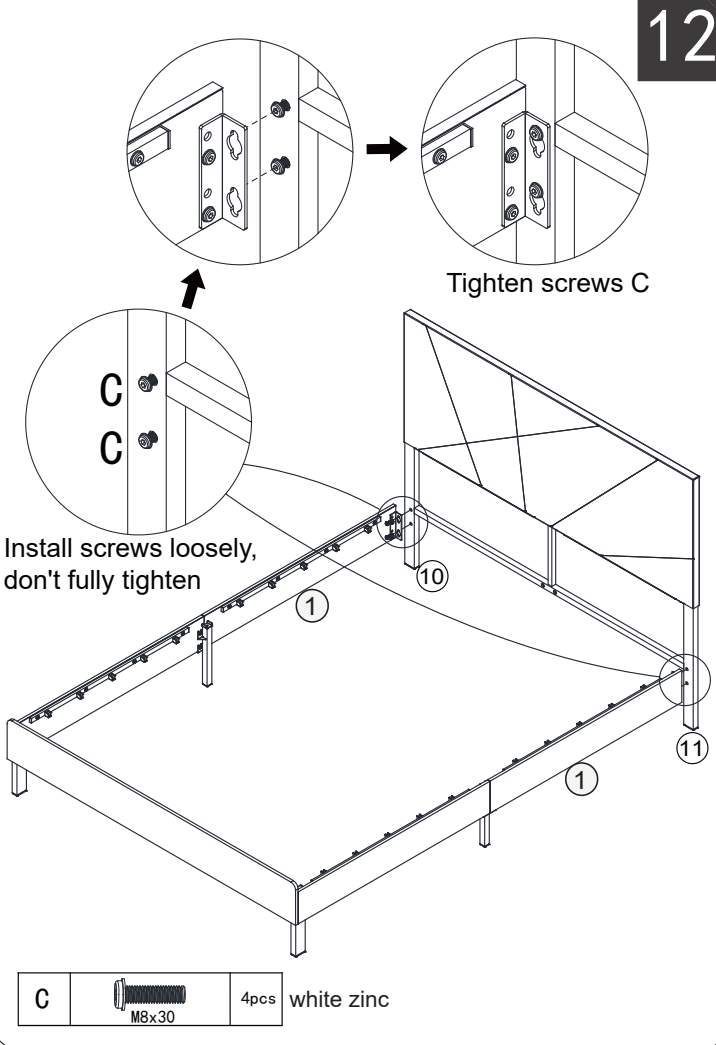
11

! Fully tighten all the screws.



D M8x35 4pcs

12

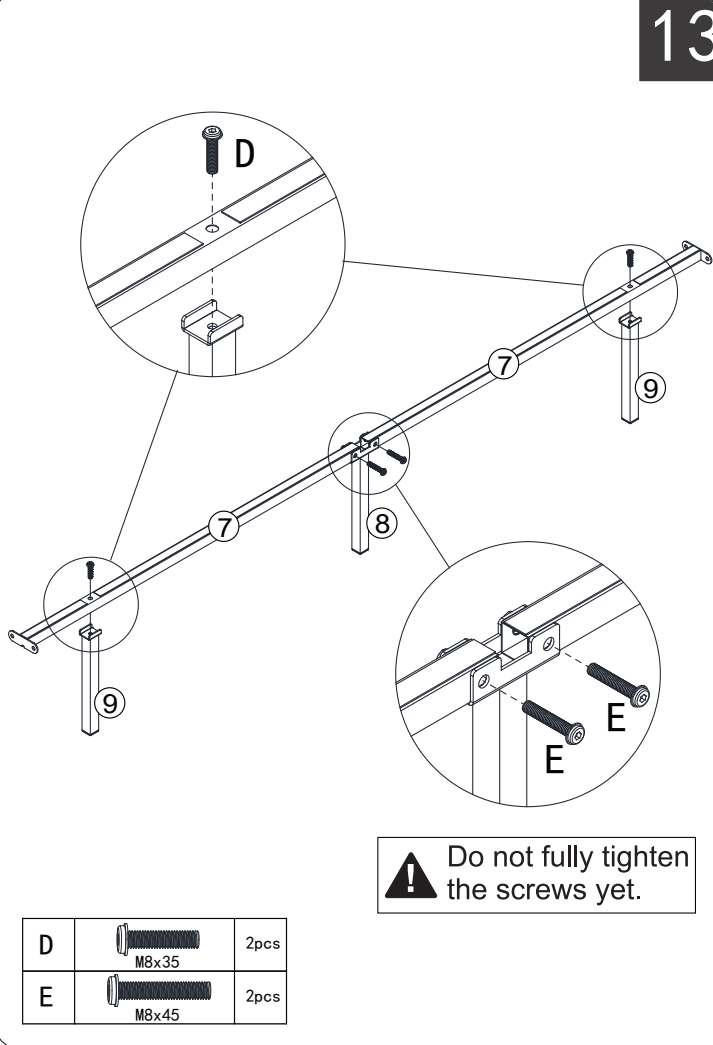


Tighten screws C

Install screws loosely, don't fully tighten

C M8x30 4pcs white zinc

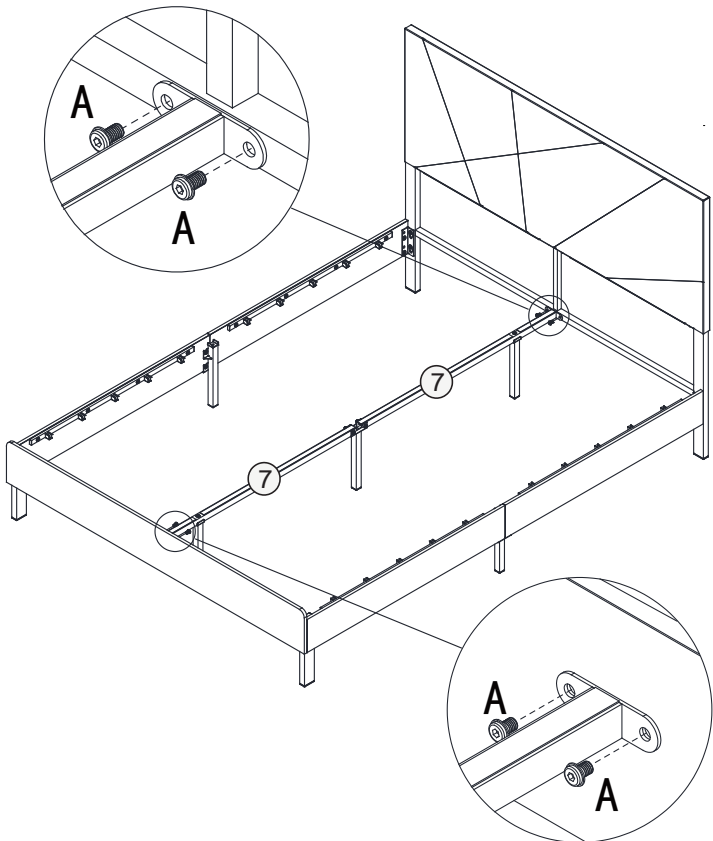
13



! Do not fully tighten the screws yet.

D M8x35 2pcs  
E M8x45 2pcs

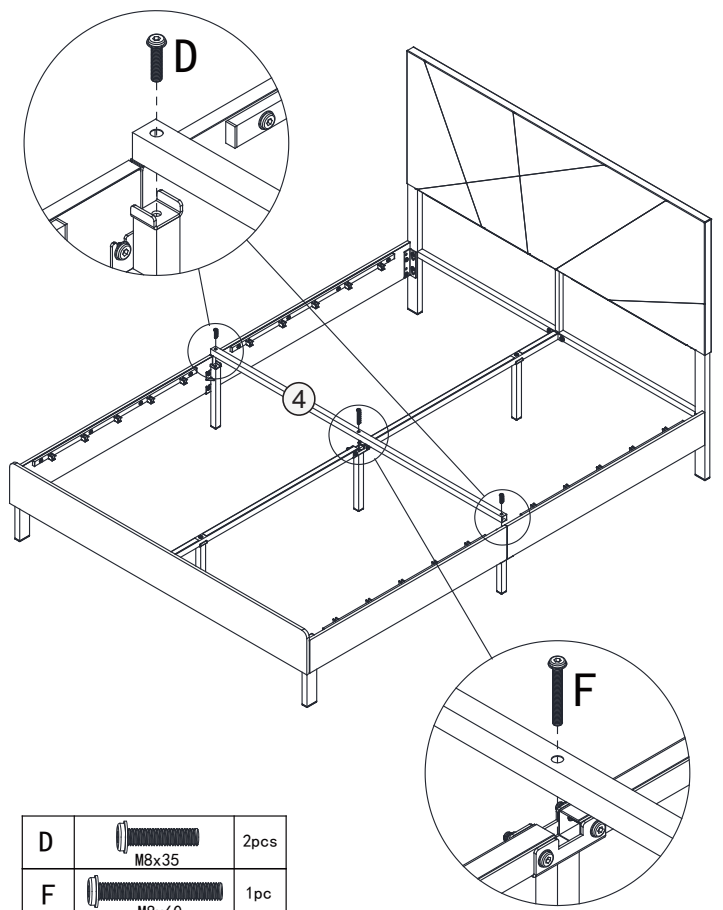
14





To assemble first

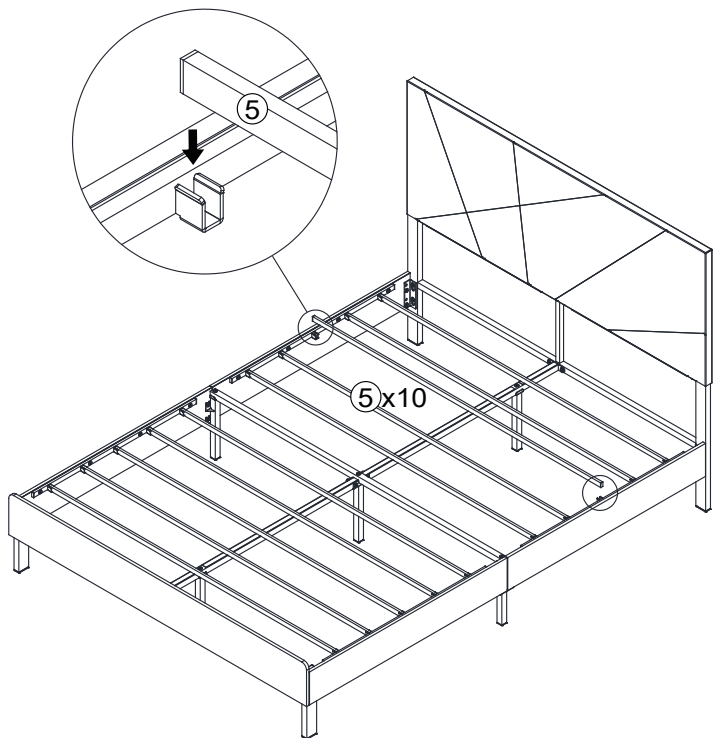
A		4pcs white zinc
---	---	-----------------

15

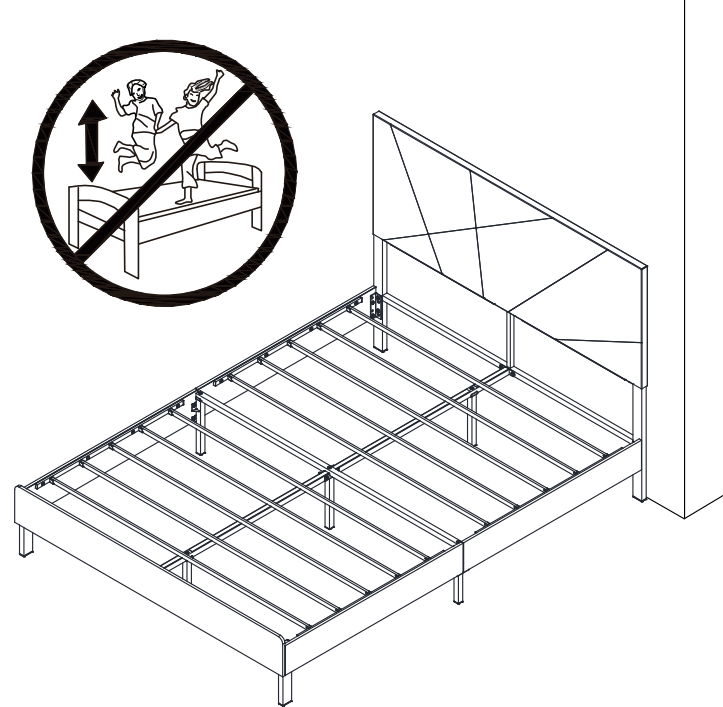


D		2pcs
F		1pc

16



17



Finish