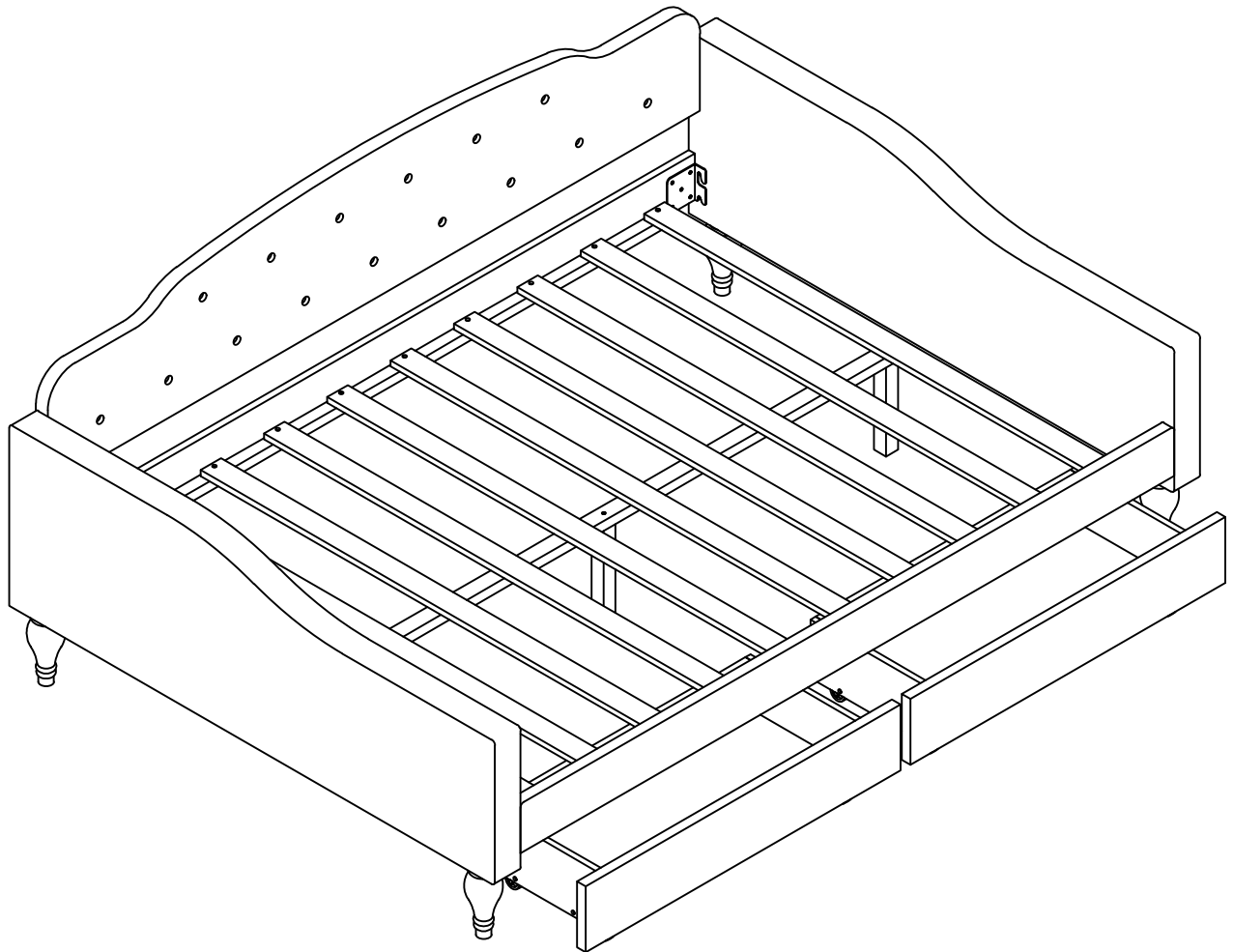


ASSEMBLY INSTRUCTIONS



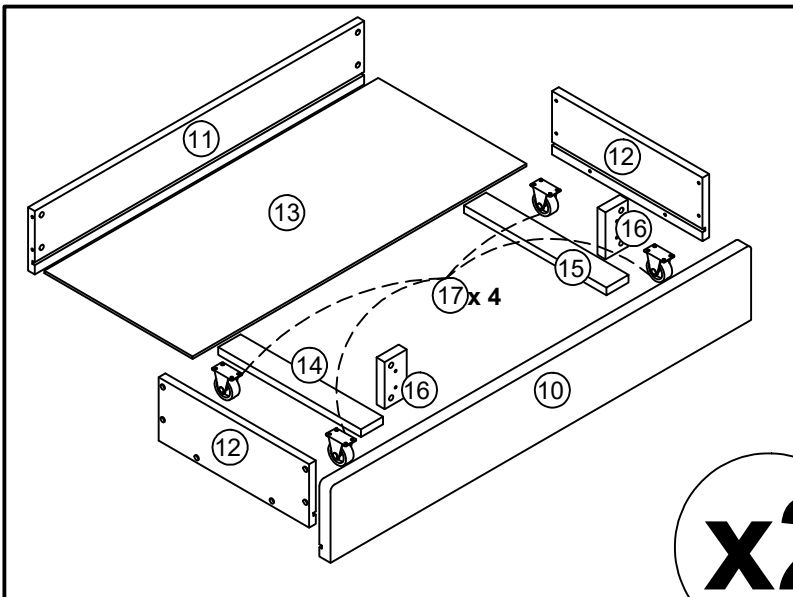
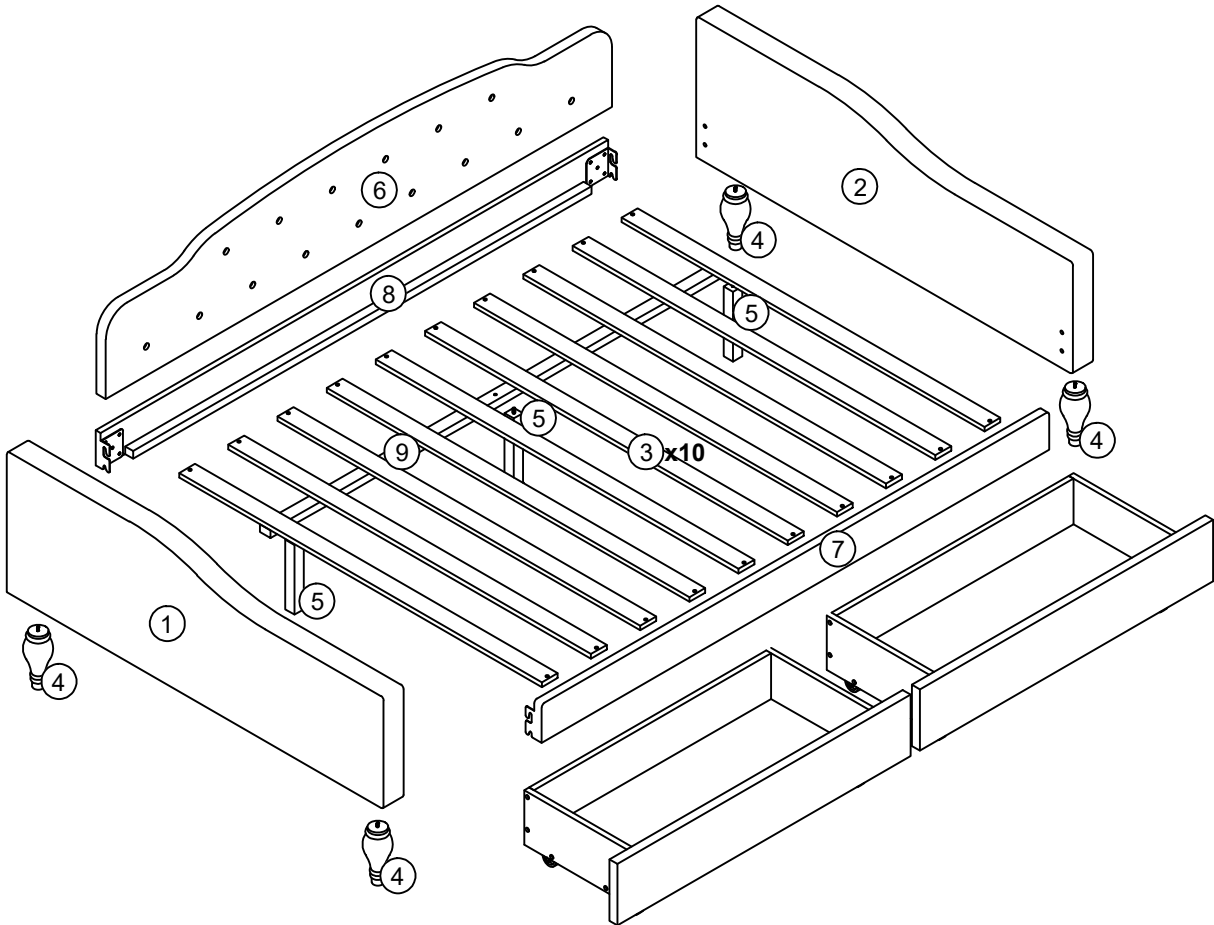
IMPORTANT NOTE

****PLACE ALL PARTS ON A CLEAN AND SMOOTH SURFACE SUCH AS A RUG OR CARPET TO AVOID THE PARTS FROM BEING SCRATCHED**

**** BEFORE YOU BEGIN , KINDY FOLLOW THE ASSEMBLY INSTRUCTIONS STEP BY STEP**

****DO NOT TIGHTEN ALL SCREWS AND BOLTS UNTIL THE BED IS FULLY SET-UP**

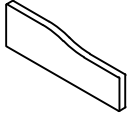
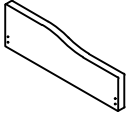



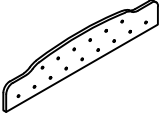


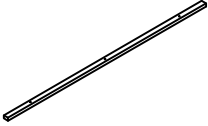


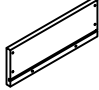
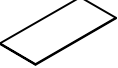
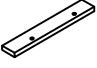



ASSEMBLY INSTRUCTIONS



x2




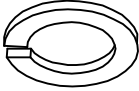
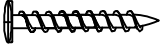
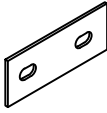
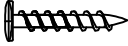
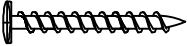

ASSEMBLY INSTRUCTIONS

PARTS IDENTIFICATION

1	Left Arm		1pc	2	Right Arm		1pc
3	Slat Roll (1365x60x15mm)		10pcs	4	Legs		4pcs
5	Support leg		3pcs				
6	Back Panel		1pc	7	Left Upper Rail		1pc
8	Right Upper Rail		1pc	9	Center Rail		1pc
10	Drawer Front Panel		2pcs	11	Drawer Back Panel		2pcs
12	Drawer Side Panel		4pcs	13	Drawer Bottom Panel		2pcs
14	Left Trundle Board		2pcs	15	Right Trundle Board		2pcs
16	Drawer Bottom Right Connector		4pcs	17	Wheels 47x25x50mm		8pcs

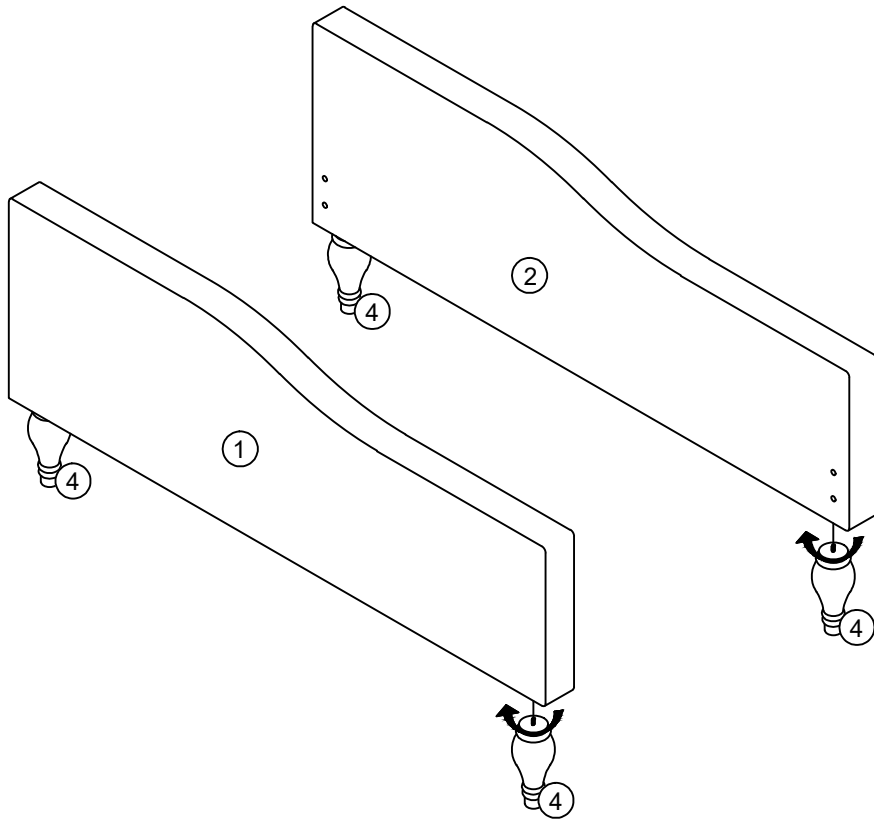
ASSEMBLY INSTRUCTIONS

HARDWARE LIST

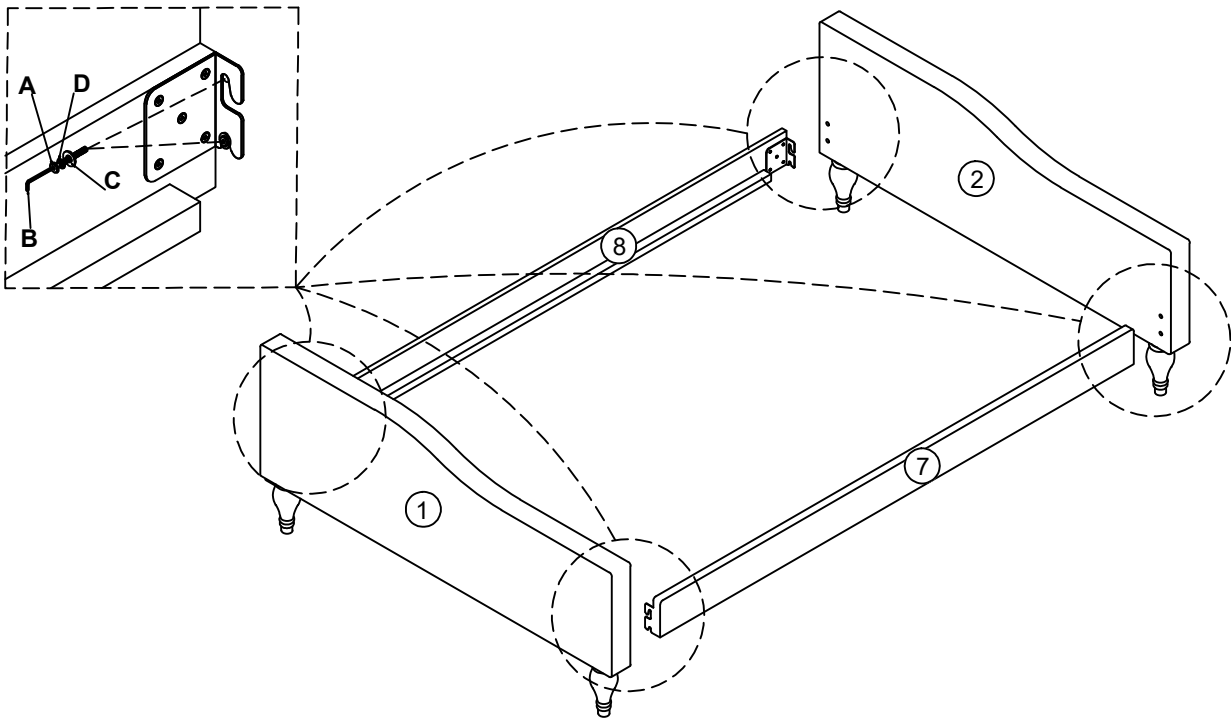
<p>A</p>  <p>Short Bolt (16pcs) (5/16" X 25mm)</p>	<p>B</p>  <p>Allen Wrench (1 pc) (m4x75mm x32mm)</p>	<p>C</p>  <p>Flat Washer (16 pcs)</p>
<p>D</p>  <p>Spring Washer (16 pcs)</p>	<p>E</p>  <p>Flat Head Screw (32 pcs) (m4x30mm)</p>	<p>F</p>  <p>Bracket (4 pcs) (100mmx40mmx2mm)</p>
<p>G</p>  <p>Flat Head Screw (32 pcs) (m4x15mm)</p>	<p>H</p>  <p>Flat Head Screw (24 pcs) (m4x38mm)</p>	<p>I</p>  <p>Plastic Button (24 pcs) (10x10mmx10mm)</p>





ASSEMBLY INSTRUCTIONS

STEP 1



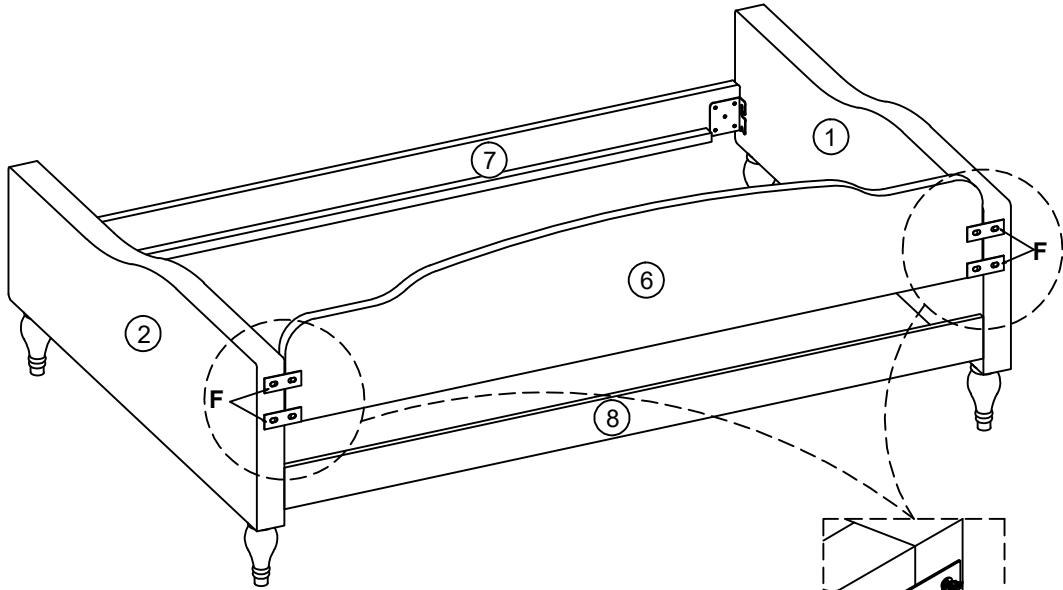
STEP 2








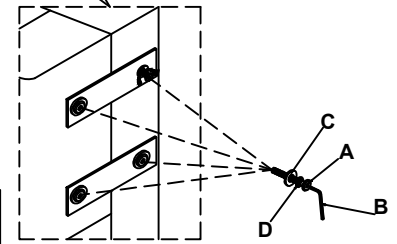
A	Bolt (5/16" x 25mm)		8pcs	D	Spring Washer		8pcs
B	Allen Wrench (M5x75mm x32mm)		1pc	C	Flat Washer		8pcs

ASSEMBLY INSTRUCTIONS

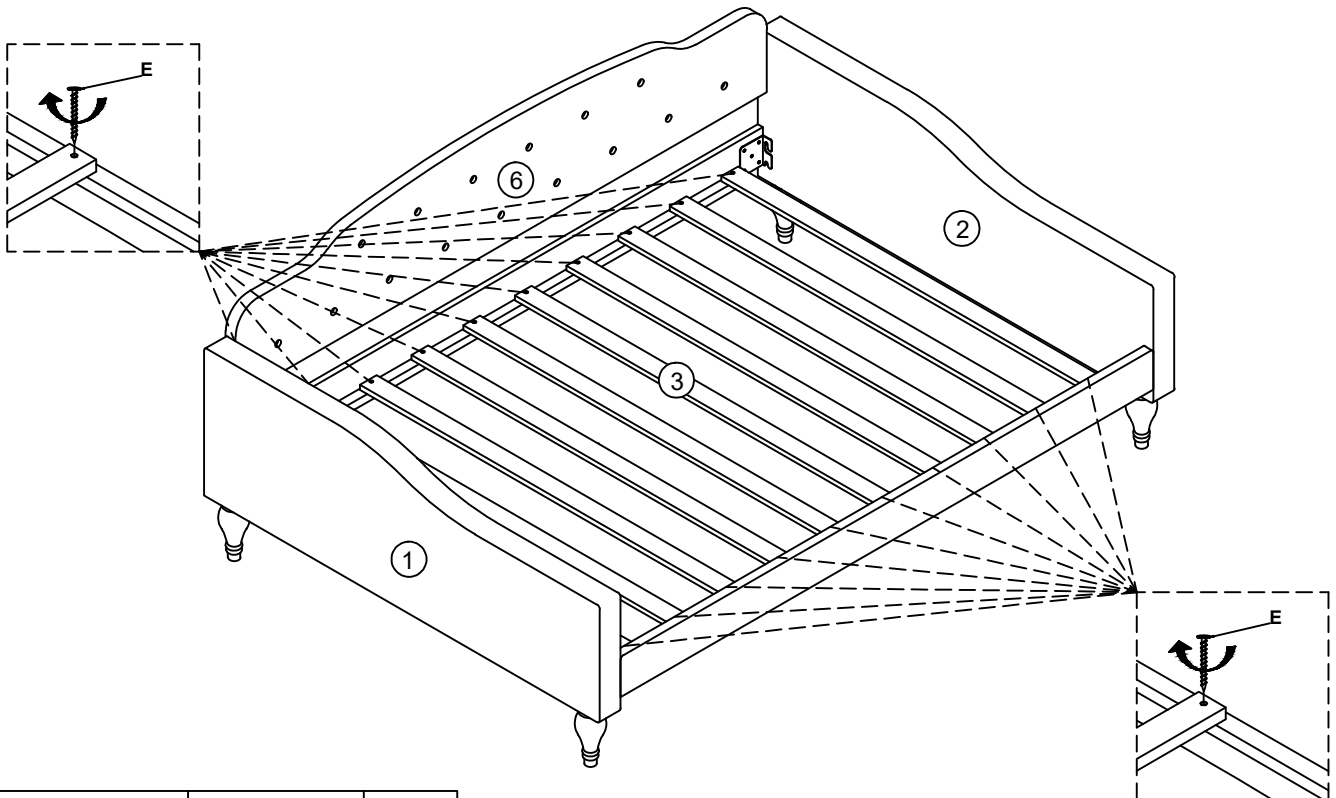
STEP 3

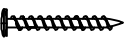


F	Bracket (100mmx40mmx2mm)		4pcs			
A	Bolt (5/16" x 25mm)		8pcs	D	Spring Washer	 8pcs
B	Allen Wrench (M5x75mm x32mm)		1pc	C	Flat Washer	 8pcs



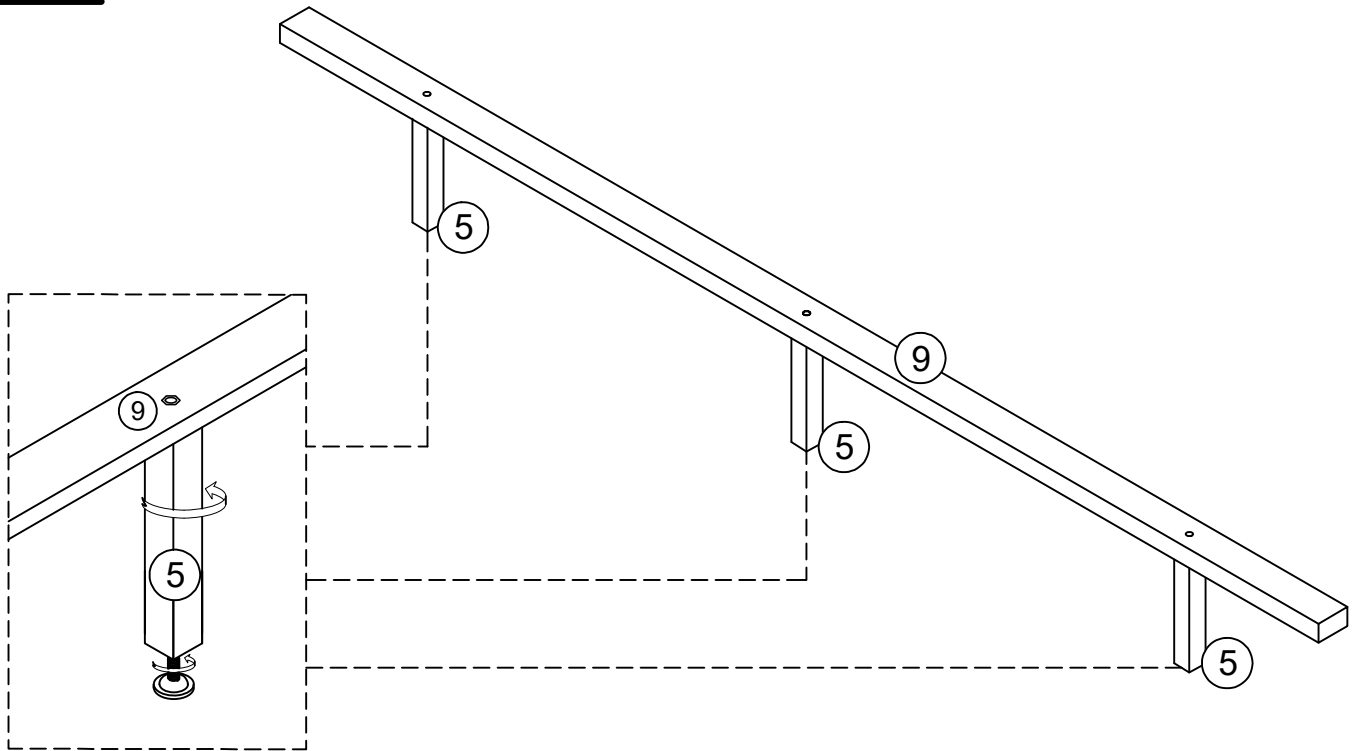
STEP 4



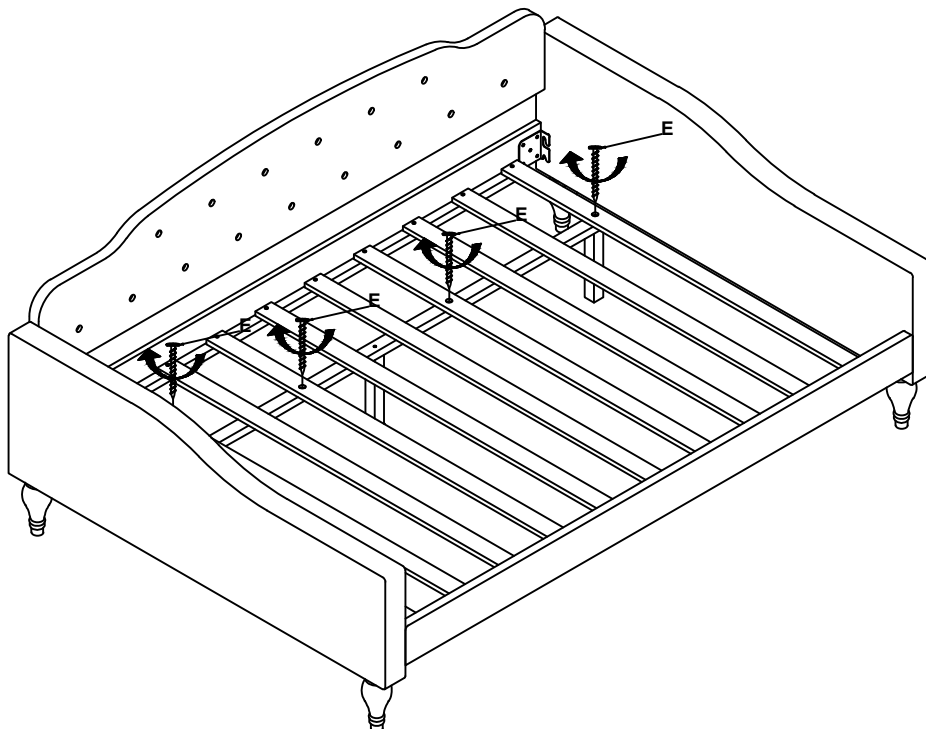
E	Flat Head Screw (m4x30mm)		20pcs
---	-------------------------------------	---	-------

ASSEMBLY INSTRUCTIONS

STEP 5

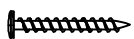


STEP 6



E

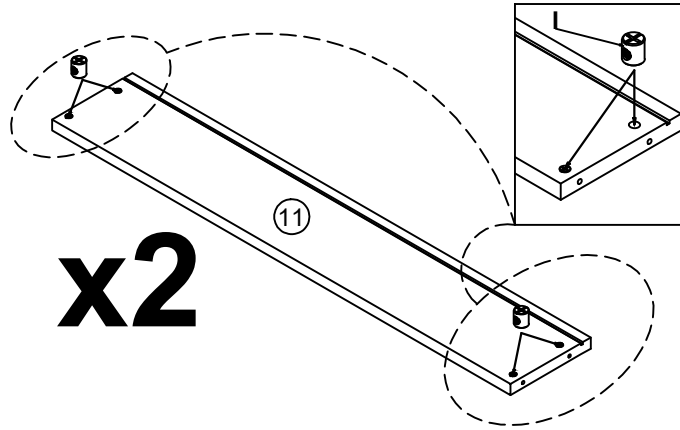
Flat Head Screw
(m4x30mm)



4pcs

ASSEMBLY INSTRUCTIONS

STEP 7



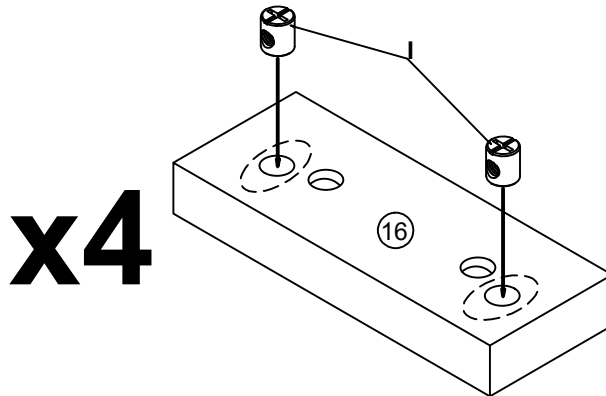
x2

I	Plastic Button (10x10mmx10mm)
---	----------------------------------



8pcs

STEP 8



x4

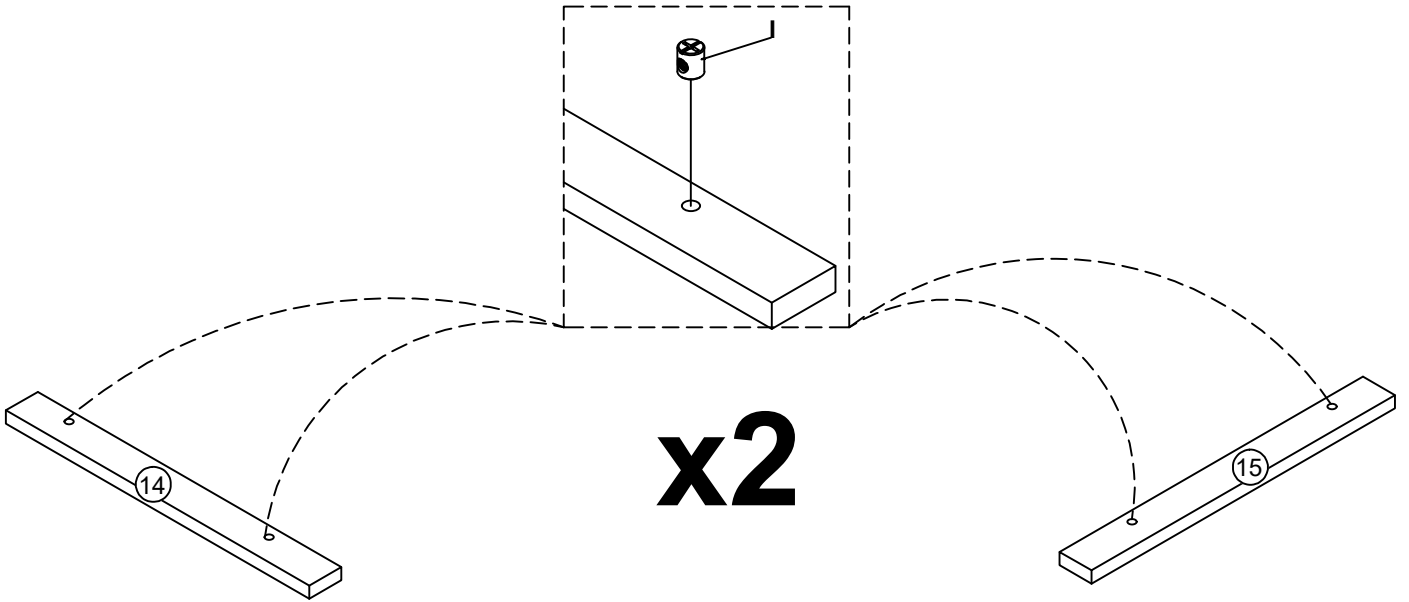
I	Plastic Button (10x10mmx10mm)
---	----------------------------------



8pcs

ASSEMBLY INSTRUCTIONS

STEP 9

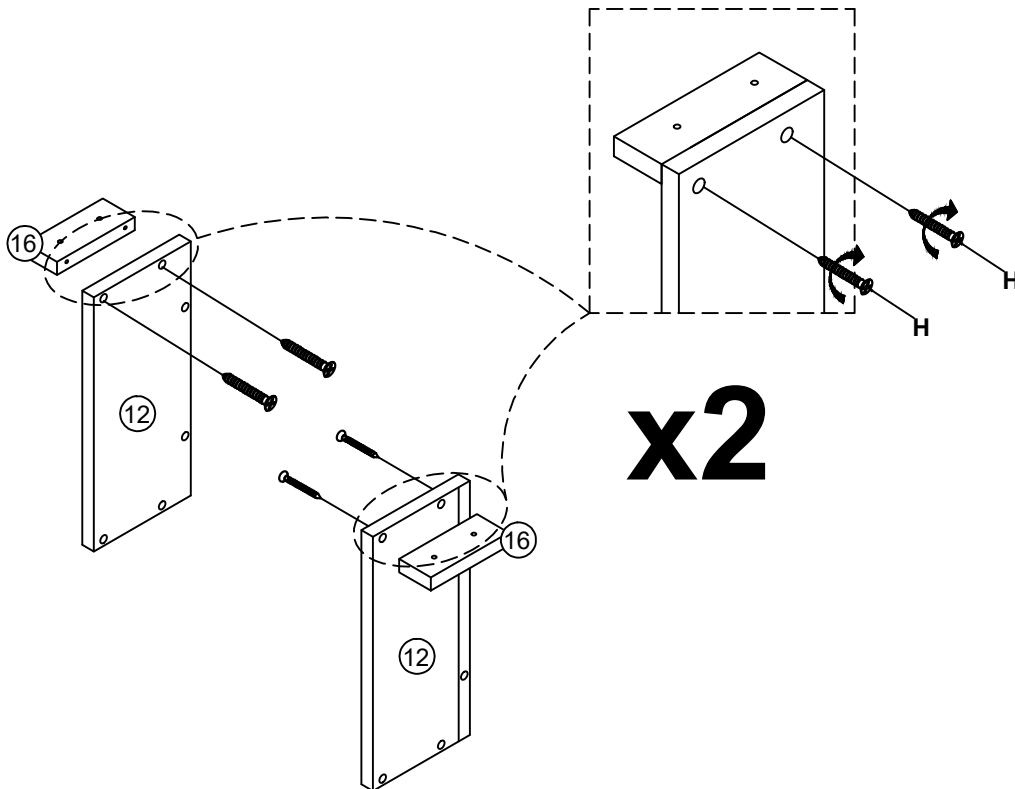


I Plastic Button
(10x10mmx10mm)

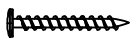


8pcs

STEP 10



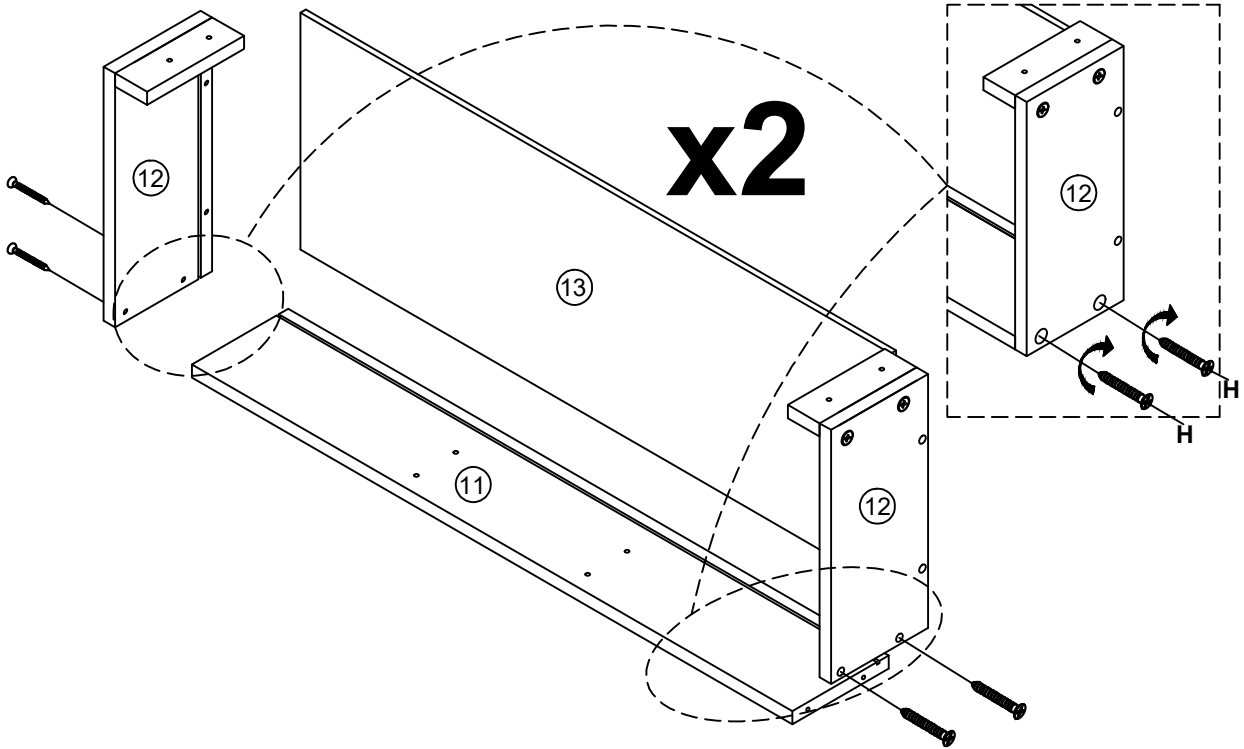
H Flat Head Screw
(m4x38mm)

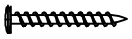


8pcs

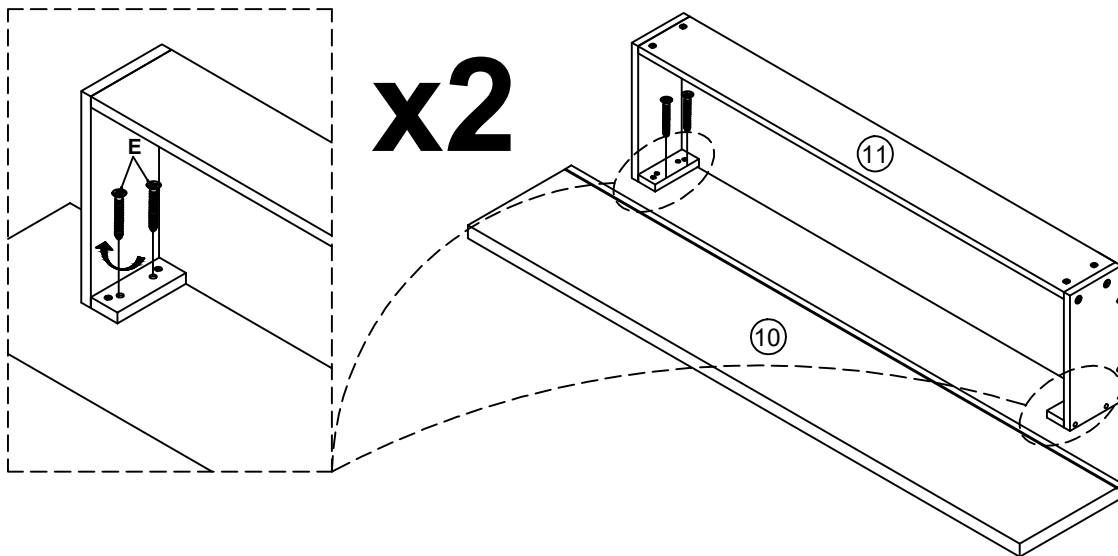
ASSEMBLY INSTRUCTIONS

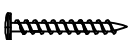
STEP 11



H	Flat Head Screw (m4x38mm)		8pcs
---	------------------------------	---	------

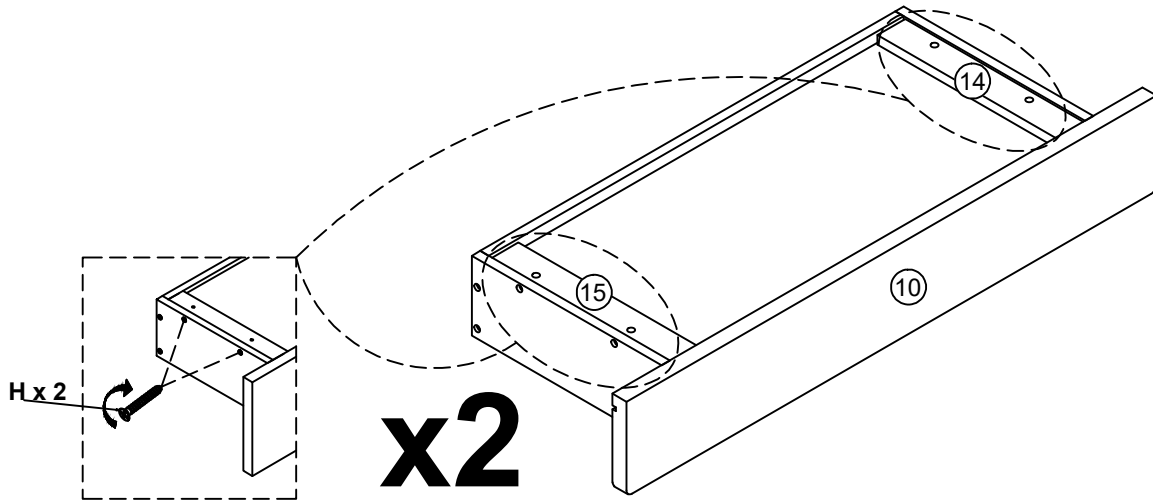
STEP 12



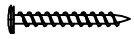
E	Flat Head Screw (m4x30mm)		8pcs
---	------------------------------	---	------

ASSEMBLY INSTRUCTIONS

STEP 13

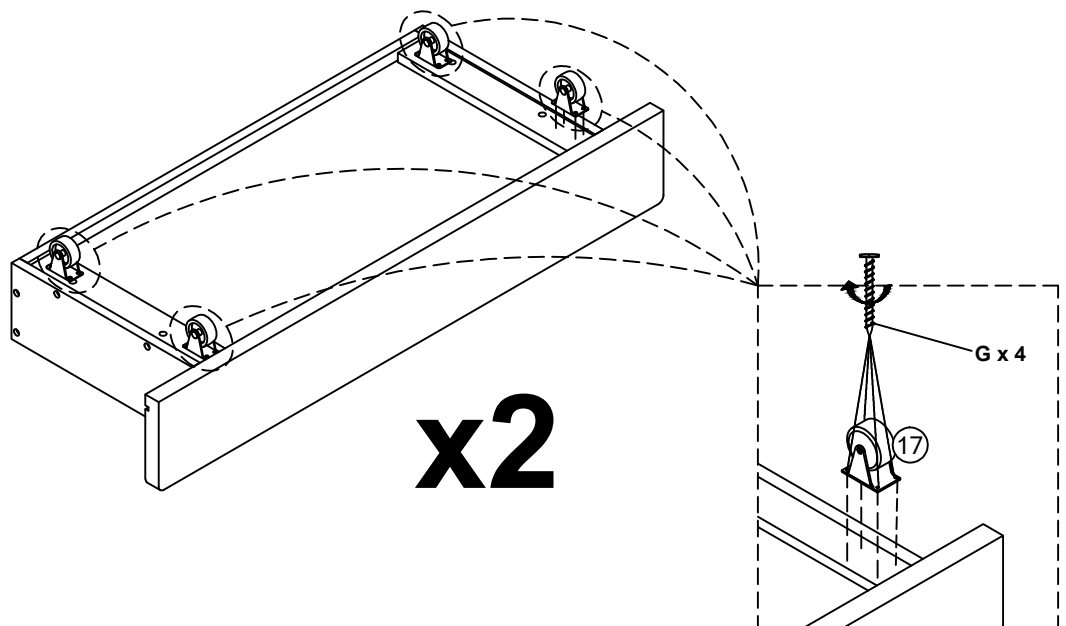


H Flat Head Screw
(m4x38mm)

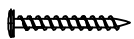


8pcs

STEP 14



G Flat Head Screw
(m4x15mm)



32pcs

ASSEMBLY INSTRUCTIONS

STEP 15
COMPLETE

