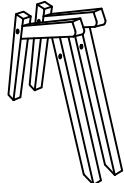

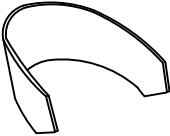







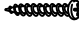





# Product Assembly Instructions

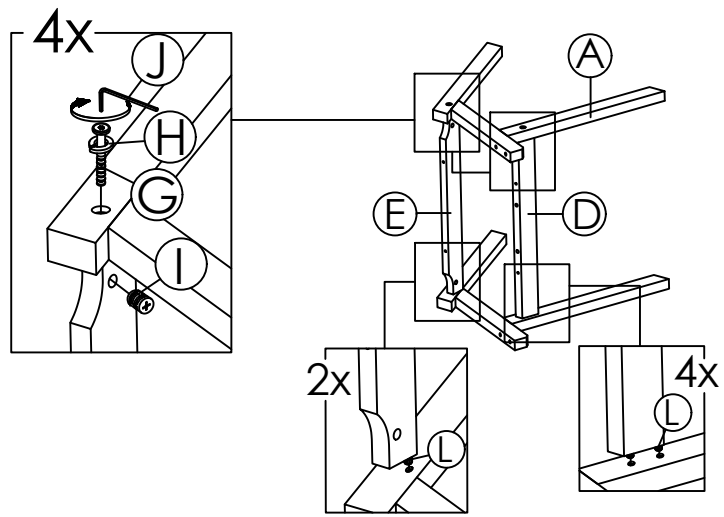
## PART LIST

 <p>A: SIDE LEGS ( L &amp; R ) x2</p>	 <p>B: CUSHION SEAT x1</p>	 <p>C: CUSHION BACK REST x1</p>
 <p>D: FRONT APRON x1</p>	 <p>E: BACK APRON x1</p>	

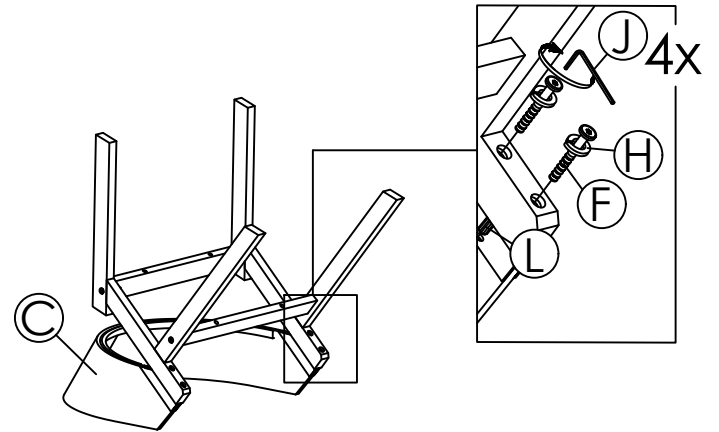
## HARDWARE LIST

 <p>F: JCBC SCREW M6 x 40MM x4</p>	 <p>G: JCBC SCREW M6 x 70MM(BLK) x4</p>	 <p>H: SPRING WASHER 1/4" x4</p>
 <p>I: BARREL NUT M6 x 13MM x4</p>	 <p>J: ALLEN KEY M4 ( BALL SHAPE )LONG x1</p>	 <p>K: PAN HEAD WOOD SCREW M5 X 32MM x4</p>
 <p>L: WOOD DOWEL DIA 8 x 35MM x8</p>	 <p>M: WOOD DOWEL DIA 8 x 25MM x2</p>	 <p>N: SPRING WASHER 1/4" (BLK) x4</p>

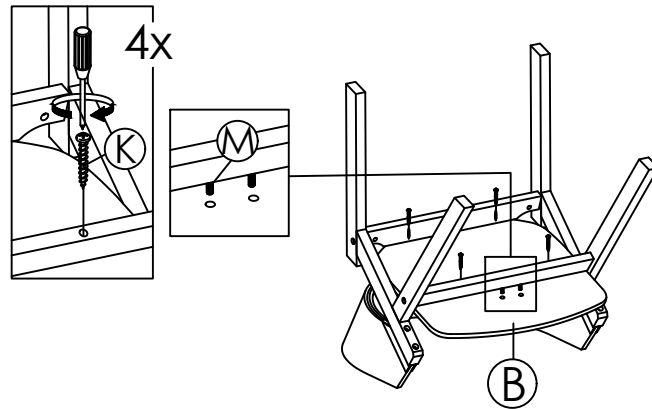
### STEP 1



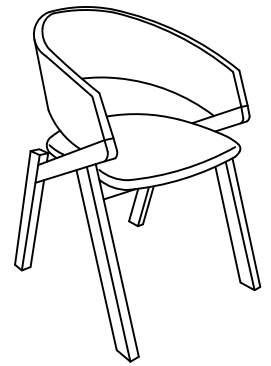
### STEP 2



### STEP 3



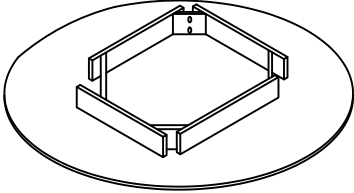
### STEP 4



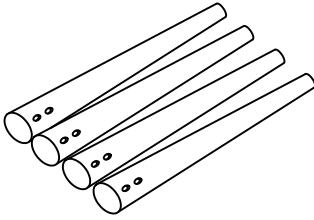
ASSEMBLY COMPLETED

# Product Assembly Instructions

## PART LIST



A: TABLE TOP x1



B: TABLE LEG x4

## HARDWARE LIST



C: JCBB SCREW M8 x 70mm x8



D: SPRING WASHER 5/16" x8

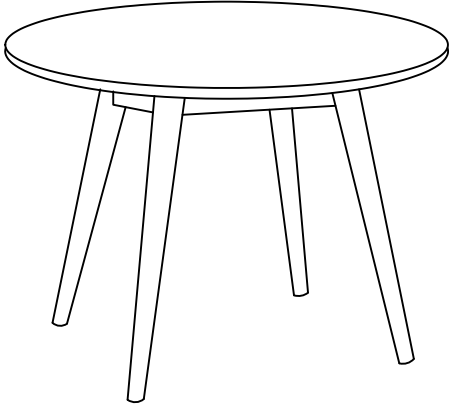
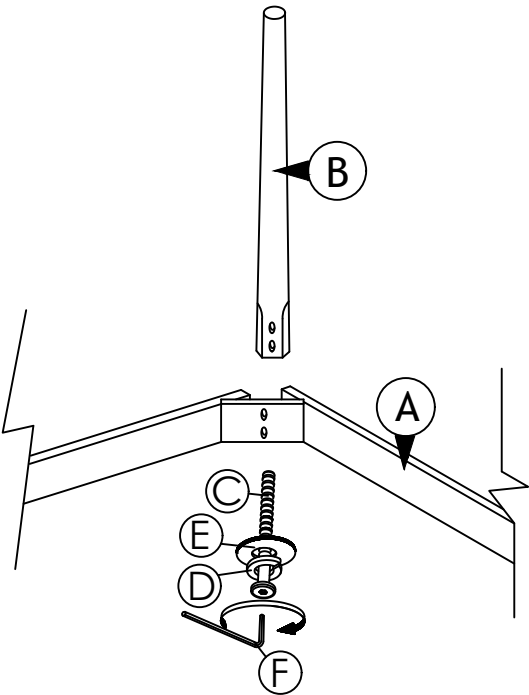


E: FLAT WASHER 5/16" x8



F: ALLEN KEY M5 x1

## STEP 1



ASSEMBLY COMPLETED