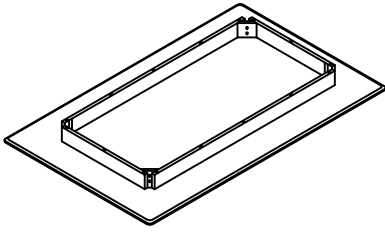
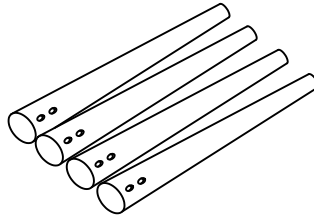


# Product Assembly Instructions

## PART LIST



A : TABLE TOP x1



B : TABLE LEG x4

## HARDWARE LIST



C : JCB SCREW M8 x 70mm x8



D : SPRING WASHER 5/16" x8

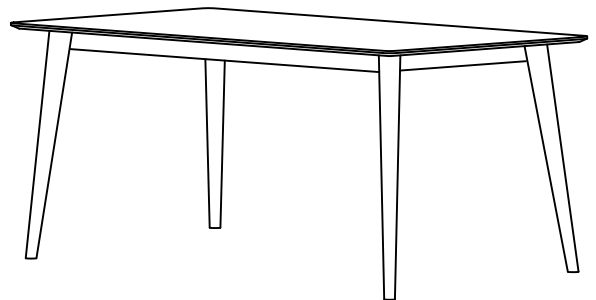
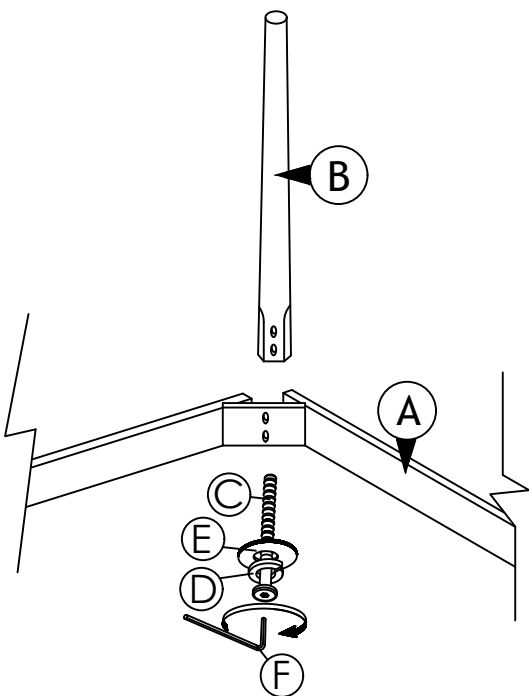


E : FLAT WASHER 5/16" x8



F : ALLEN KEY M5 x1

## STEP 1

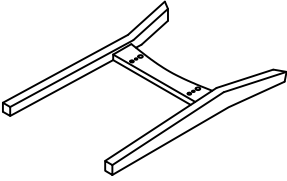
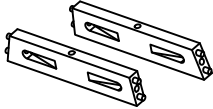
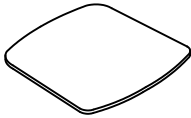
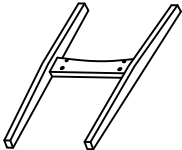
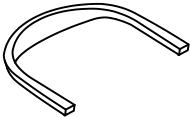


ASSEMBLY COMPLETED








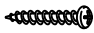
# Product Assembly Instructions

## DINING CHAIR

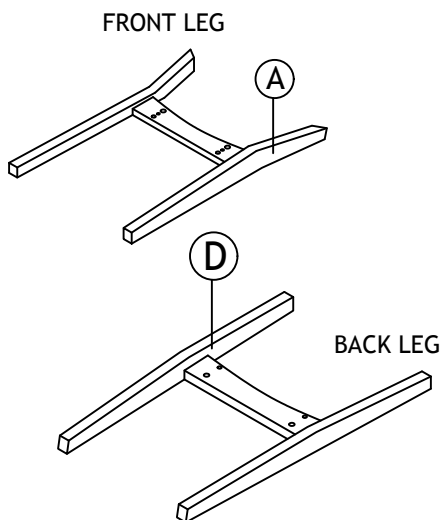
### PART LIST

 <p>A : FRONT LEG x1</p>	 <p>B : RAIL (L &amp; R) x2</p>	 <p>C : VENEER SEAT x1</p>
 <p>D : BACK LEG x1</p>	 <p>E : BACK VENEERS x1</p>	

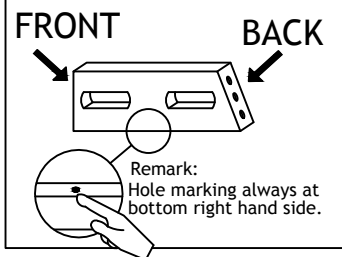
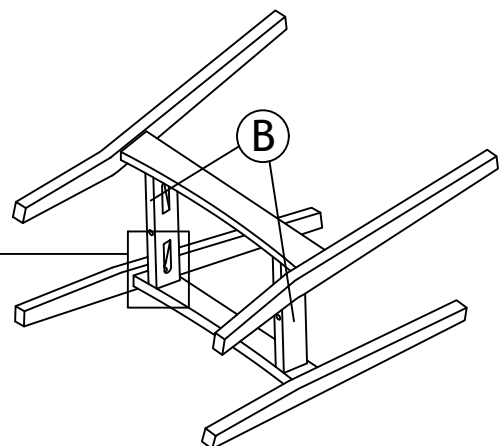
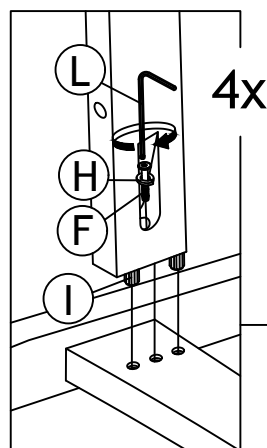
### HARDWARE LIST

 <p>F : JCBC SCREW M6 x 50MM x4</p>	 <p>G : JCBC SCREW M6 x 60MM x2</p>	 <p>H : SPRING WASHER 1/4" x6</p>
 <p>I : WOOD DOWEL DIA 8 x 30mm x8</p>	 <p>J : CSK SOCKET SCREW M6 x 25MM x4</p>	 <p>K : METAL PLATE x4</p>
 <p>L : M4 ALLEN KEY (BALL SHAPE) LONG x1</p>	 <p>M : PAN HEAD SCREW M4 x 16MM x4</p>	

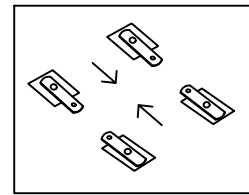
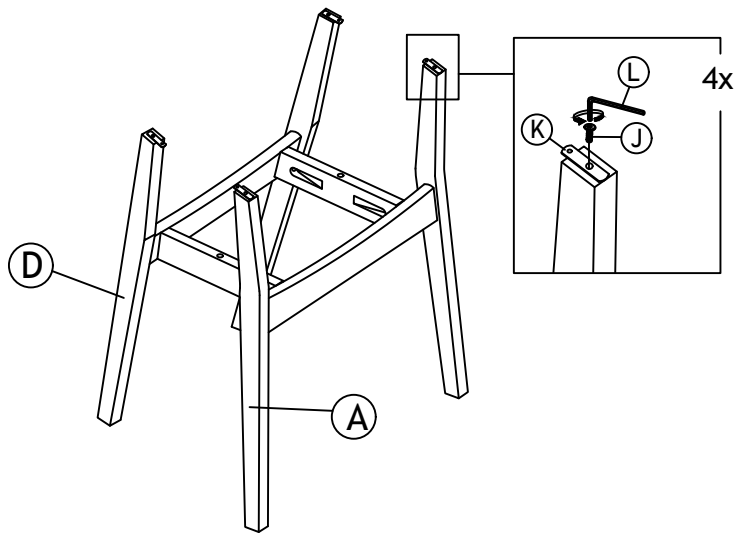
#### STEP 1



#### STEP 2

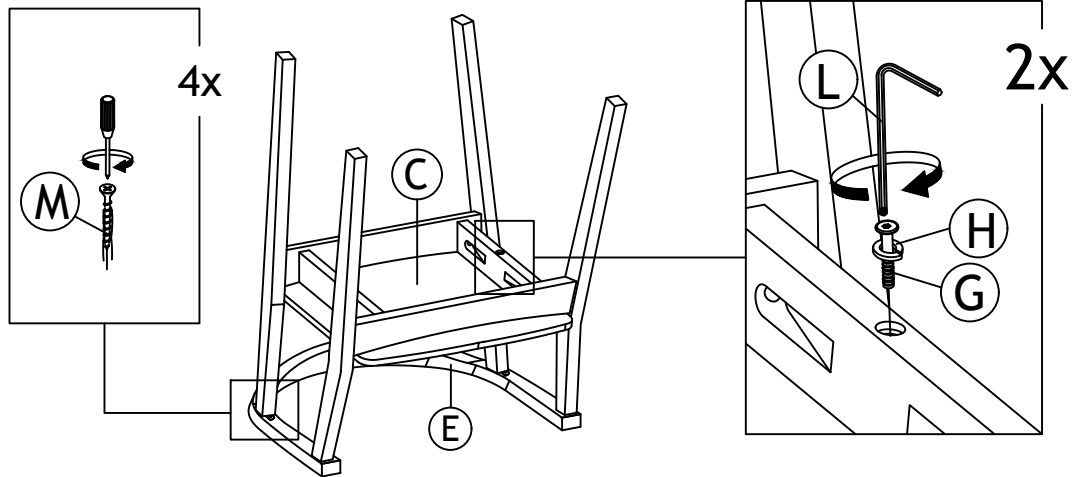


### STEP 3



Remark:  
When assembly, make sure  
direction face to each other.

### STEP 4



### STEP 5

