

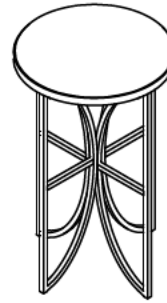
ASSEMBLY INSTRUCTIONS

TOOLS REQUIRED:

Allen Wrench (supplied, part # B)

BEFORE YOU START:

1. Check the parts against the parts list to make sure all items are present.
2. Assemble your furniture on a soft, flat surface to avoid scratching the finish.
3. **CAUTION:** Do not over tighten screws, nuts or bolts during assembly.
4. Your furniture may require occasional tightening.



INSTRUCTIONS:

1. Turn the table top upside down on a clean soft surface.
2. Put the two metal frames together, and make sure the tops are flush after set-up. (Shown in Figure 1)
3. Attach the metal base to top using Bolt (A), Tighten with Allen Wrench (B). (Shown in Figure 2)
4. Tighten all bolts before turning the table.

Figure 1

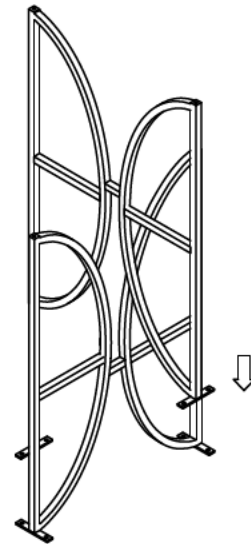
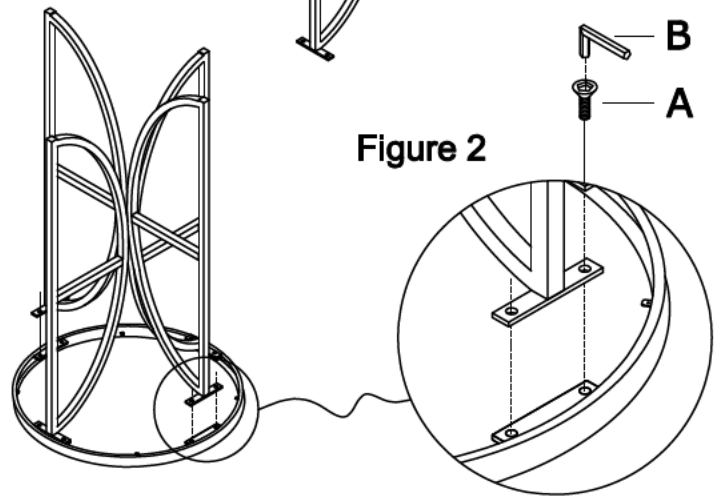




Figure 2



HARDWARE LIST			
NO.	Drawing	Description	Q'TY
A		Allen Bolt ($\phi 1/4 \times 1/2$ ")	8pcs
B		Wrench (4mm)	1pc