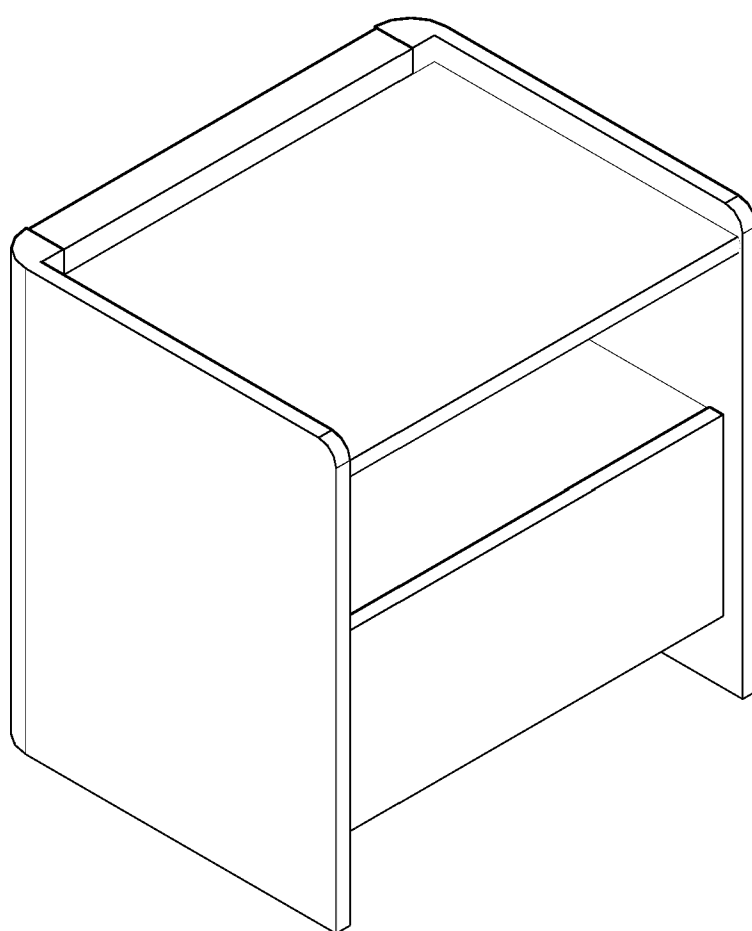


LuxenHöme

End Table

SKU WHIF2680



ASSEMBLY INSTRUCTIONS



60 min. assembly
2 person

* The estimated assembly time may vary depending on the individual.

Hey, there

Now is assembly time!

Deeeeep breathe.... and again....
Tools ready,
Easy peasy!

Estimated



60 min. assembly
2 person

Tools Required

- Allen Wrench(included)
- Phillips screwdriver(not included)
- Hammer(not included)
- Power Drill(not included)
- Drill bit(not included)

important.Cautious when you use power tools

Need Help?

-  Call us at +1 909 548 6688
-  Email customerservice@luxenhome.com
-  Submit a ticket on www.luxenhome.com/help

Thank you for purchasing this LuxenHome product. This product has been manufactured with the highest standards of safety and quality.

PLEASE READ ALL INSTRUCTIONS CAREFULLY BEFORE ASSEMBLY.

Unpack all parts from the packaging inside the carton to ensure there are no missing or damaged parts. Lay out all the cabinet parts on a clean, flat, and soft surface to prevent scratches. Refer to the steps provided as assembling guide.

Do not attempt to assemble or use the product if any parts are missing or damaged.

Please save this manual for future reference.

REMINDERS

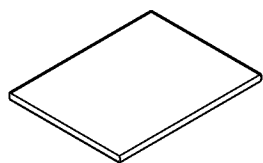
SAFE USAGE IS KEY

Your well-being is our top priority when you use our product. Please prioritize your safety by diligently following the assembly guidelines and inspecting the product carefully both when it arrives and before each use. Please be aware that LuxenHome and Winsome House, Inc. cannot be held liable for any injuries or fatalities that occur due to not adhering to the provided instructions or misuse of the product.

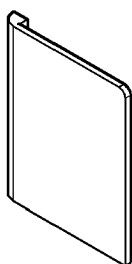
DO NOT MODIFY

Our products undergo rigorous testing to ensure they meet established safety standards before being released for sale. Altering the product in any way can lead to serious safety concerns, for which LuxenHome cannot assume responsibility.

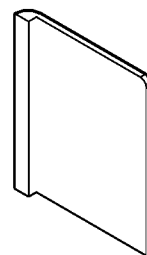
Furniture components:



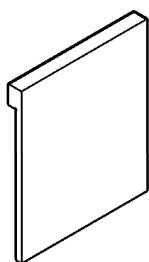
① Top Panel x1



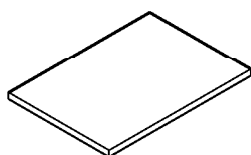
② Side Panel (L) x1



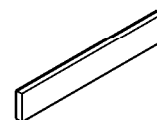
③ Side Panel (R) x1



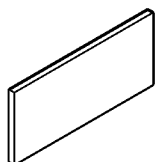
④ Back Panel x1



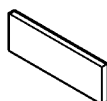
⑤ Shelf Panel x1



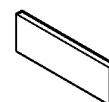
⑥ Bottom Support Panel x1



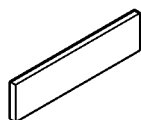
⑦ Drawer Face Panel x1



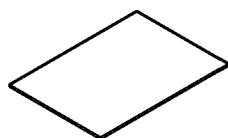
⑧ Drawer Side Panel (L) x1



⑨ Drawer Side Panel (R) x1

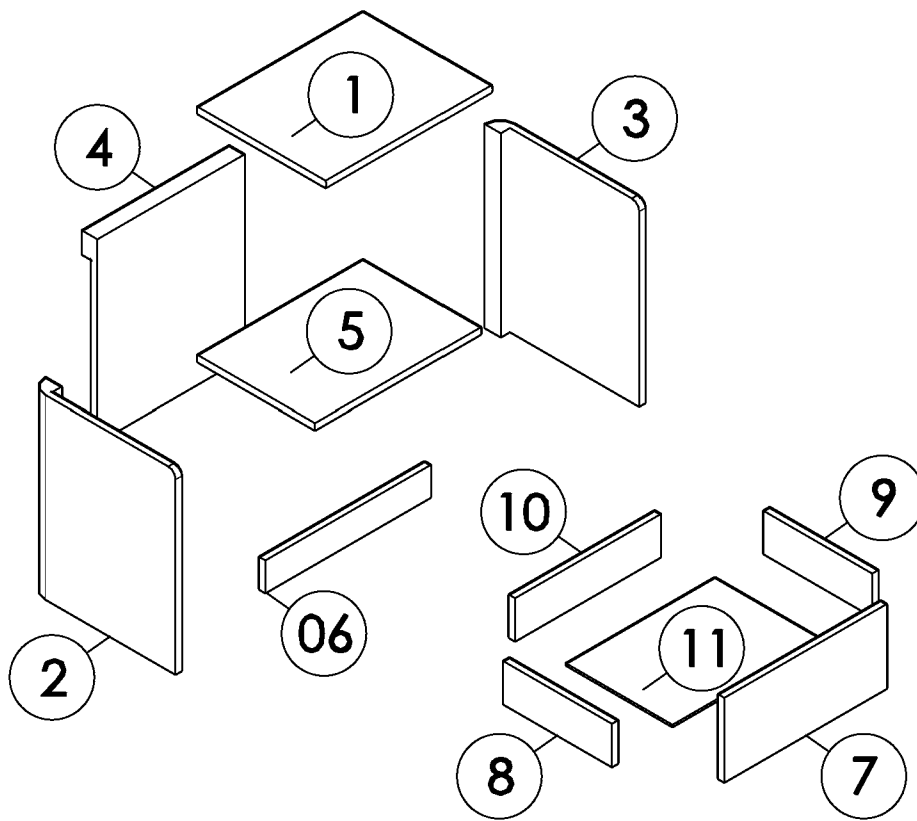


⑩ Drawer Back Panel x1

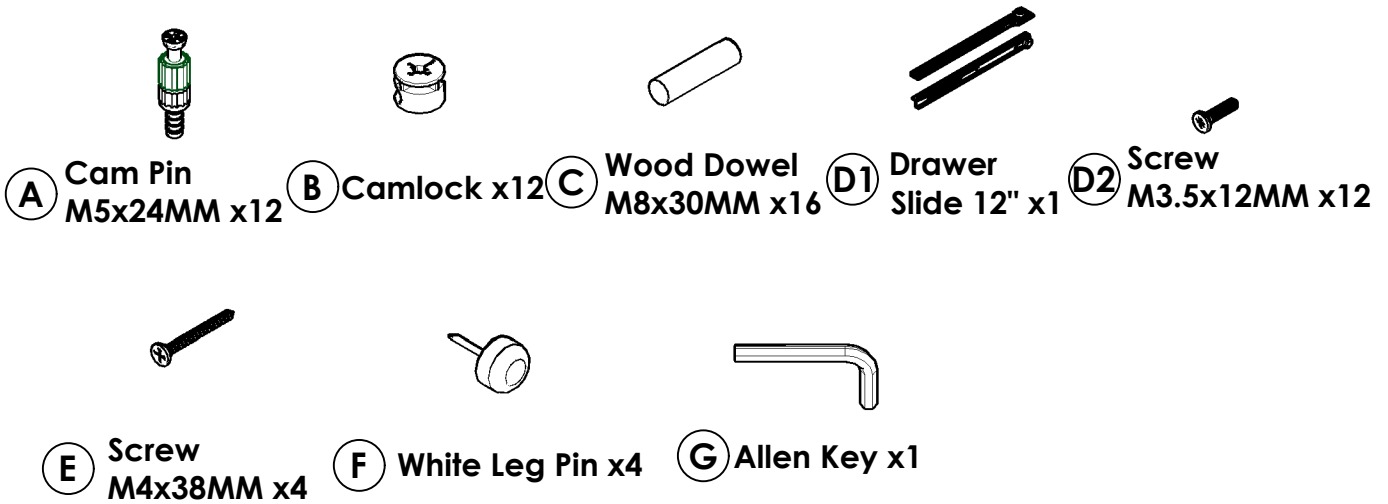


⑪ Drawer Mdf Board x1

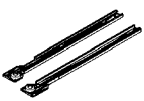

Furniture components:

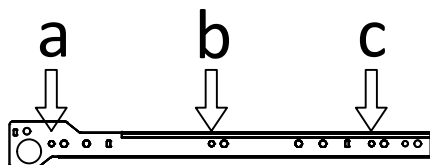


Provided hardware:



Step 1

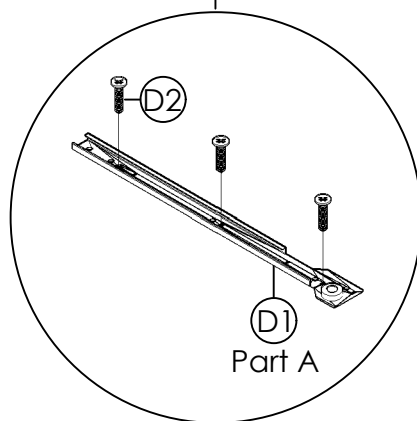
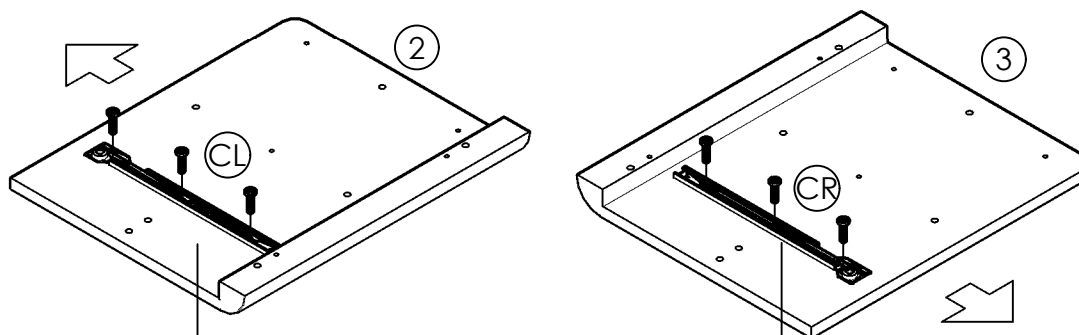
(D1)x1	(D2)x6
	



Screw in hole a,b and c

CL for panel ②

CR for panel ③

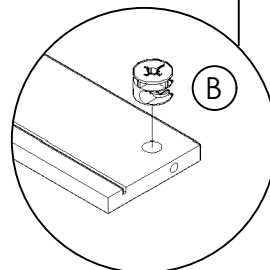
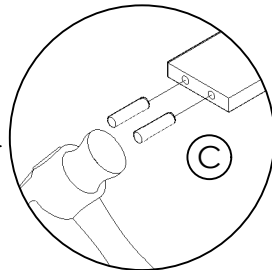
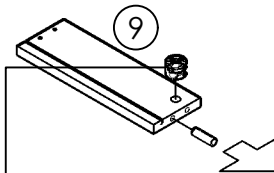
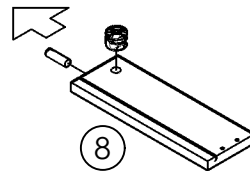
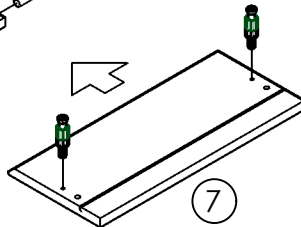
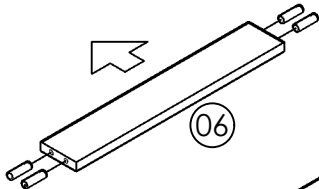
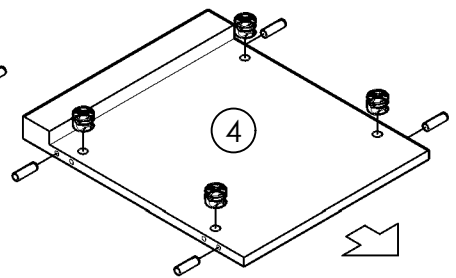
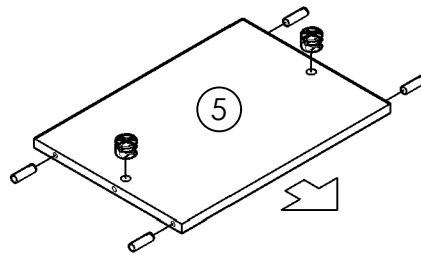
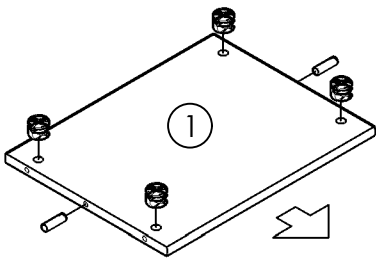
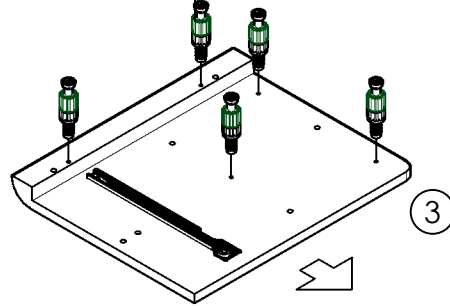
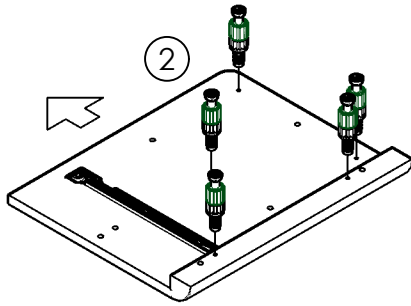
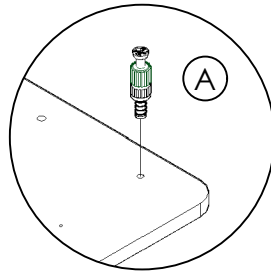


Note: Please find the CL and CR steel seals on the tracks.

Step 2

(A) x12	(B) x12	(C) x16

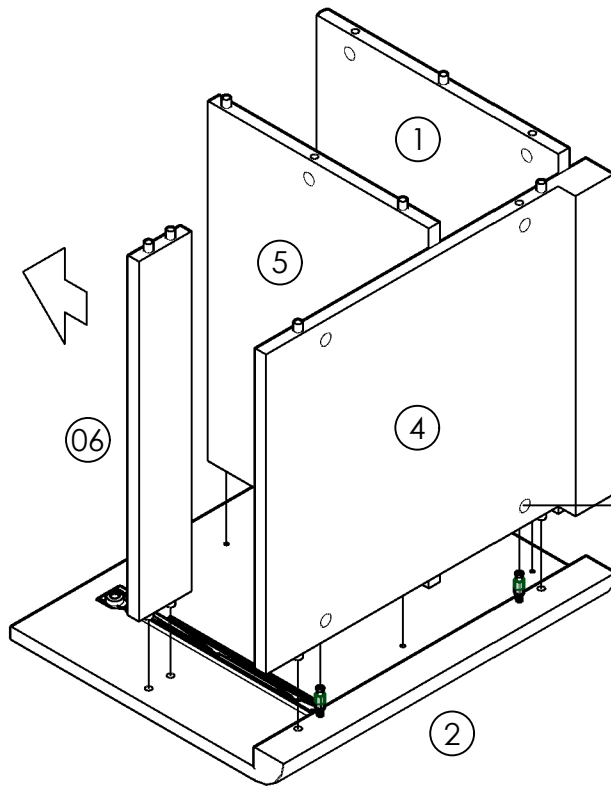
Installation Cam Pin:
Please insert the screw (A)
on panel using a screwdriver.



Installation Hardware:

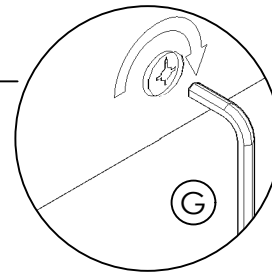
As Shown, Insert the camlock (B) and wood dowel (C)
into the hole of panel using the hammer.

Step 3



Installation:

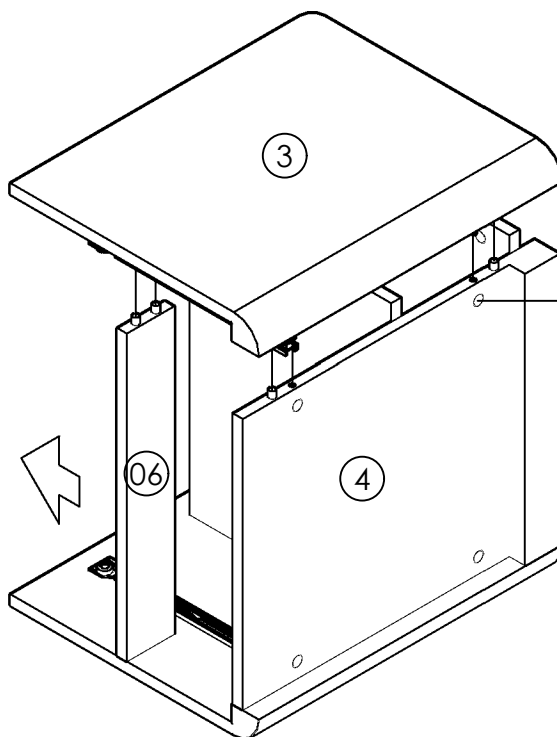
As shown, the head of minifix housing goes into the open mouth of the minifix bolt. Use Allen Key then turn the minifix housing so it tightens over the minifix bolt.



G x1

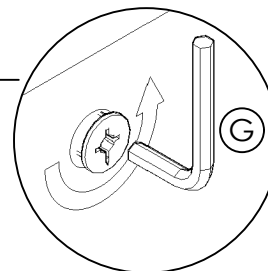


Step 4

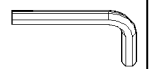


Installation:

As shown, the head of minifix housing goes into the open mouth of the minifix bolt. Use Allen Key then turn the minifix housing so it tightens over the minifix bolt.

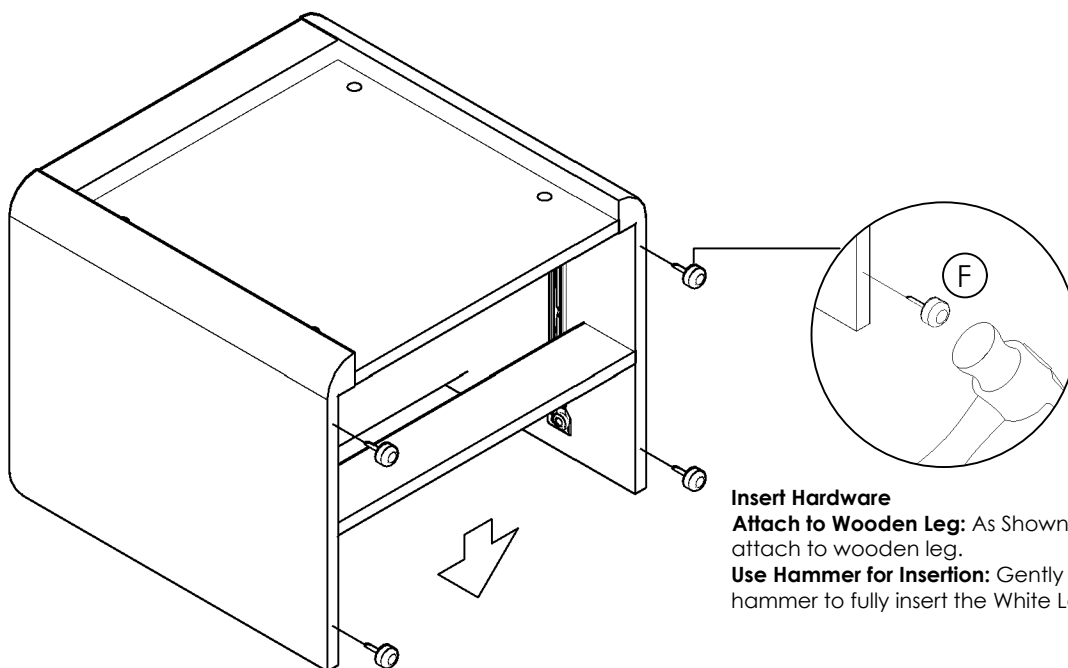


G x1



Step 5

(F) x4



Insert Hardware

Attach to Wooden Leg: As Shown White Leg Pin (F) attach to wooden leg.

Use Hammer for Insertion: Gently tap with a hammer to fully insert the White Leg Pin(F).

Step 6

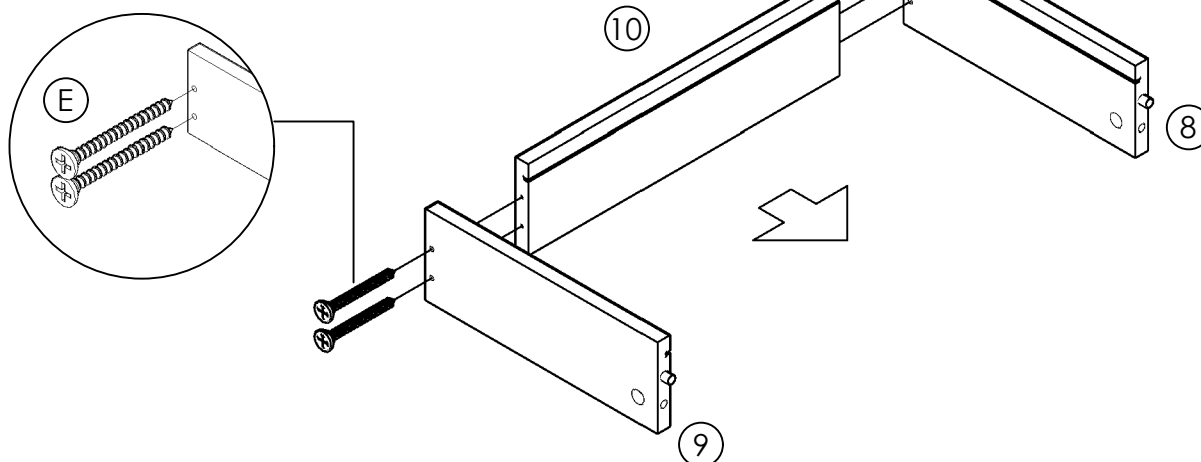
(E) x4



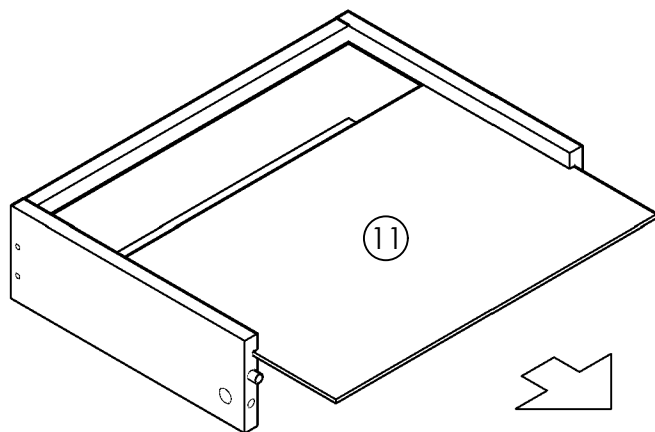
M4x38MM

Installation Screw:

Please insert the screw (E) on panel using a screwdriver.



Step 7



Installing Drawer MDF Board:
Insert Drawer MDF Board into the groove of panel.

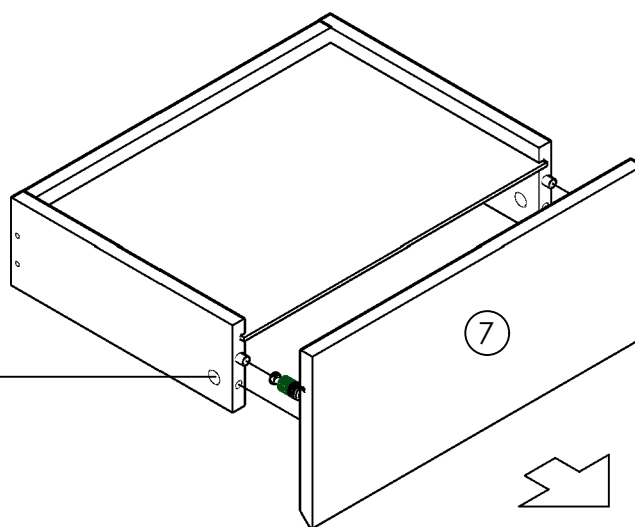
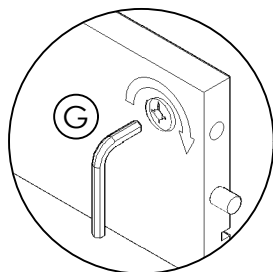
Step 8

ⓐ x1

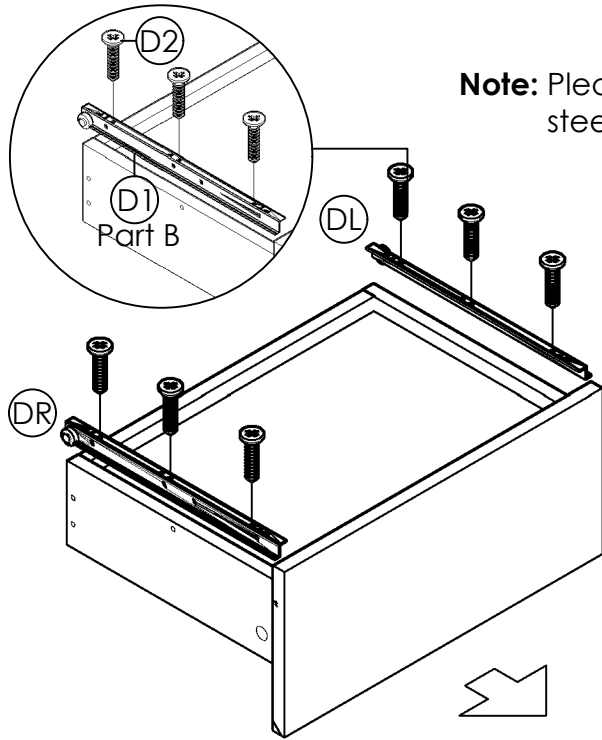


Installation:

As shown, the head of minifix housing goes into the open mouth of the minifix bolt. Use Allen Key then turn the minifix housing so it tightens over the minifix bolt.

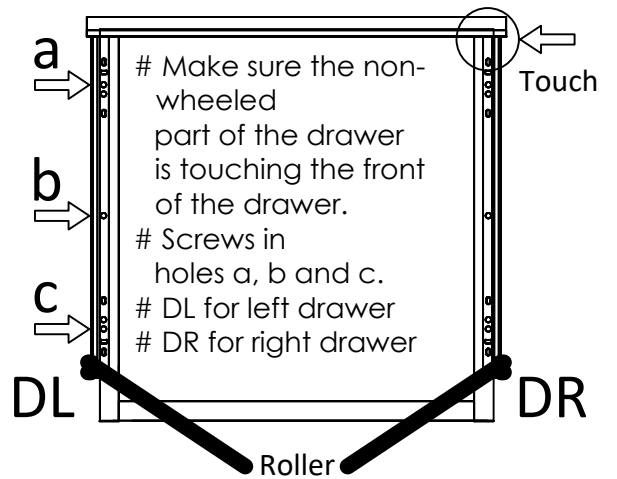
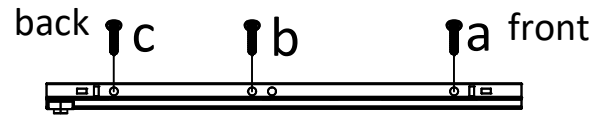


Step 9 (Drawer Completed)

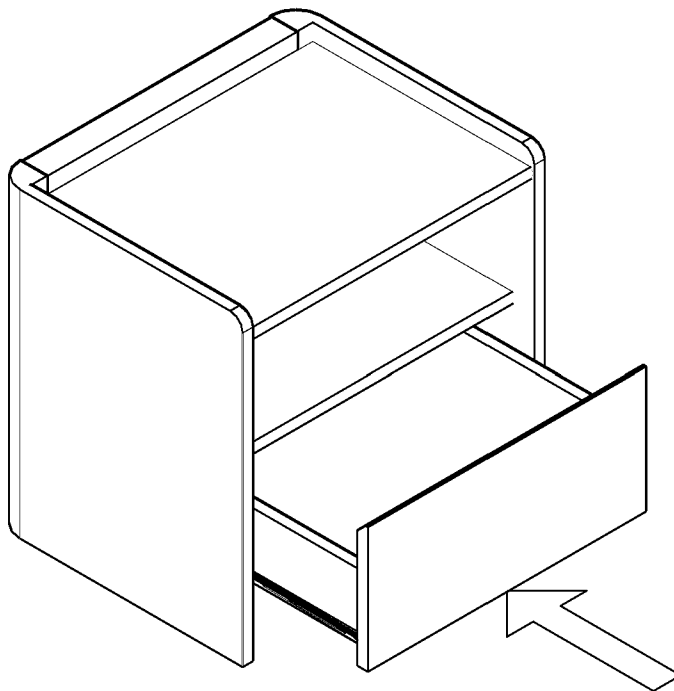


Note: Please find the DL and DR steel seals on the tracks.

(D1)x1	(D2)x6



Step 10

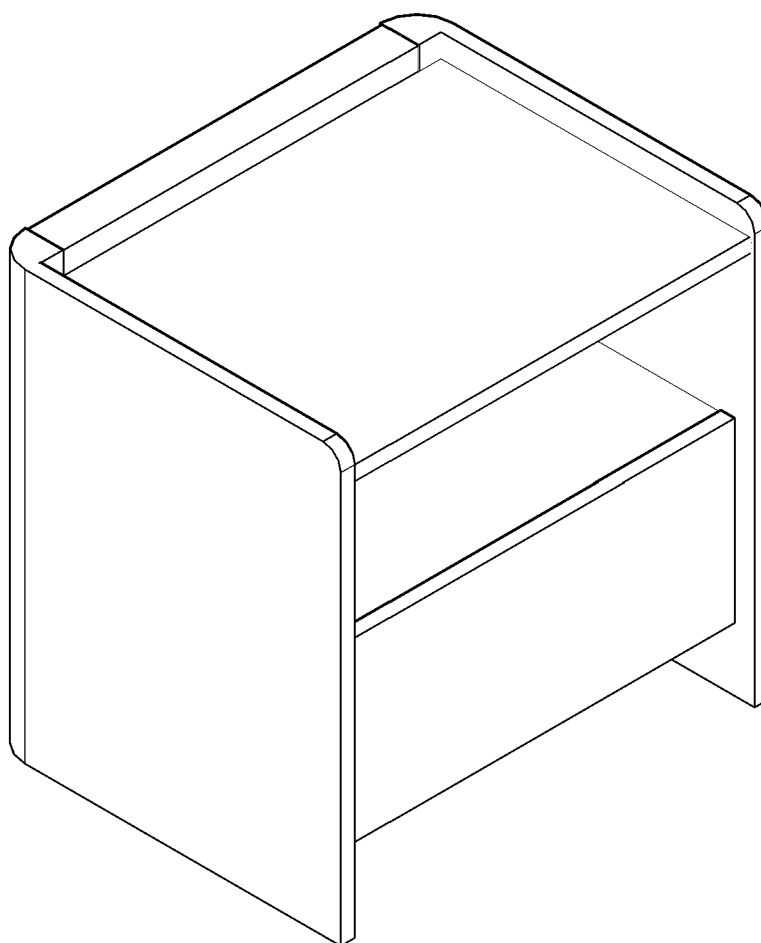


Installing Drawer

Insert Drawer Panel into the cabinet.

VOILA!

Now enjoy.



Warning !!!

DO NOT stand on the table as this may damage the product and cause serious bodily injury.

Something not right?

We are always here to help.

We make mistakes like every human does. Though we always strive to provide the best possible products at competitive prices and the best service in the industry, it's not possible to completely eliminate mistakes. If you experience any dissatisfaction, feel free to contact us immediately. Our in-house customer care team will respond ASAP.

- customerservice@luxenhome.com
Get response within 24 hrs
- 909.548.6688
Mon-Fri 9am-5pm PST/PDT
- www.luxenhome.com/help
Submit a ticket on our website

Things to do to expedite the process

- Have your order# ready
- Take photos/videos to help us better identify the issues
- DO NOT throw away the packaging

Happy with our product?

Leave us a review

It really help us as a small business

Find the product you purchased on our website (tip: search by SKU) and leave us a review.

Alternatively, you can always return to the marketplace where you purchased it and leave a review there.

Share with others

Our customers look for REAL stuff

- Follow us on IG @luxen.home
- Share your #liveluxen moments



Please save this manual for future reference.