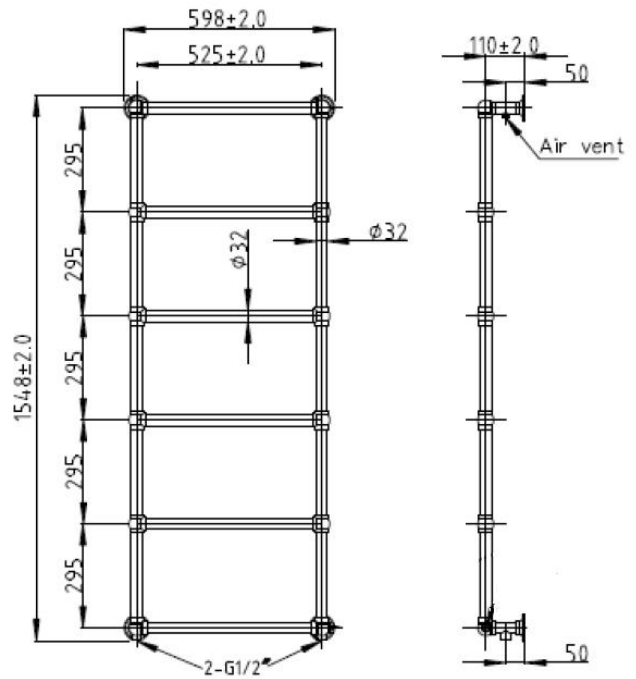
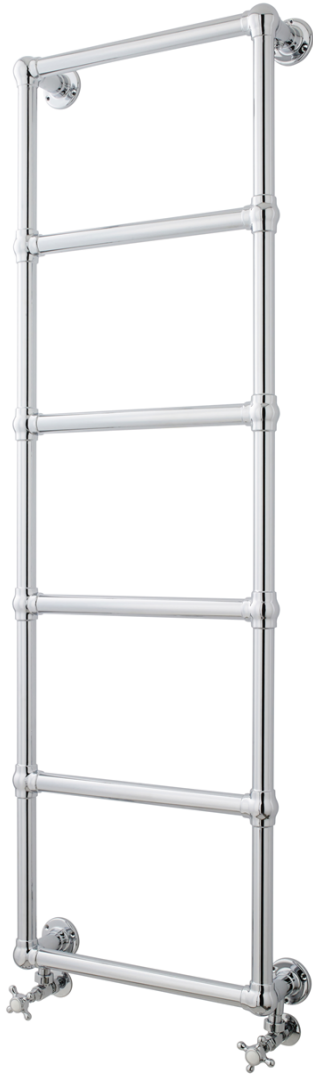


CUSTOMER DATA SHEET - HEATING

DESCRIPTION: W/Mtd Towel Rail 1550X600x130



PRODUCT DIMENSIONS

Height (mm)	Width (mm)	Depth (mm)	Length (mm)	Nett Wgt Kg
1548	598	110		9.07

PACKAGING DIMENSIONS

Height (mm)	Width (mm)	Length (mm)	Gross Wgt Kg
150	620	1600	10.5

PACKAGING DATA

Box Colour	White Cardboard Shrinkwrapped		
Box Qty	1	Label Colour	White Label
Label Size	100 x 50	Label Qty	2

OUTER BOX DIMENSIONS (If Applicable)

Height (mm)	Width (mm)	Length (mm)	Gross Wgt Kg

PRODUCT DETAILS

Contry of Origin	China
Fitting Instruction	Yes
RAL No	N/A
Heat Element Wattage	N/A
BTU @ 50 Degrees	1095
Thermal Output @ 50 Degrees	
Pipe Centres	525mm
Volume	142
Wall to Ctr of Tappings	50
Duel Fuel	N/A

Certification	CE	Yes	RoHS	N/A	WEEE	N/A
Colour/Finish	Chrome					
Product Material	Steel					
Heat Element Wattage Compatible	N/A					
BTU @ 60 Degrees	1391					
Thermal Output @ 60 Degrees	408W					
Max Projection						
Tube Diameter	32mm					
Floor to Ctr of Tappings	N/A					