



*ASSEMBLY INSTRUCTIONS
COASTER FINE FURNITURE*



Fine Furniture for every stage of life

651355
Glider Loveseat With Console

ITEM: **651355**

ASSEMBLY INSTRUCTIONS

ASSEMBLY TIPS:

1. Remove hardware from box and sort by size.
2. Please check to see that all hardware and parts are present prior to start of assembly.
3. Please follow attached instructions in the same sequence as numbered to assure fast & easy assembly.



WARNING!



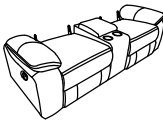



1. Don't attempt to repair or modify parts that are broken or defective. Please contact the store immediately.
2. This product is for home use only and not intended for commercial establishments.



ASSEMBLY TIME

5 MINUTES

PARTS IDENTIFICATION

A	LEFT BACK		1PC
B	RIGHT BACK		1PC
C	BASE		1PC
D	CONSOLE BACK		1PC
E	LEFT EAR		1PC
F	RIGHT EAR		1PC

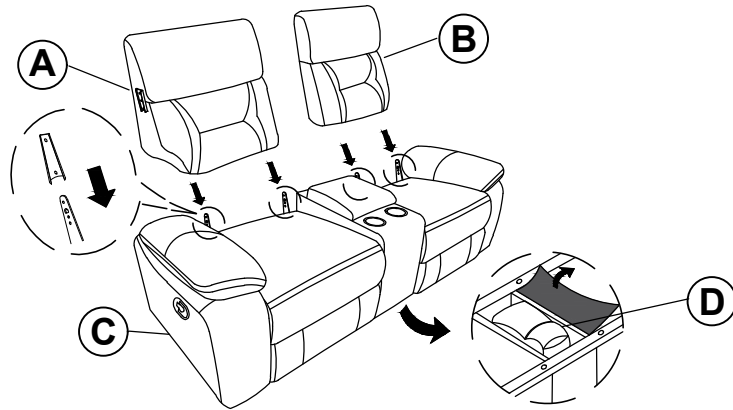
HARDWARE IDENTIFICATION

1	ADJUSTABLE SCREW (Ø5/16"x2)		2PCS
---	--------------------------------	--	------

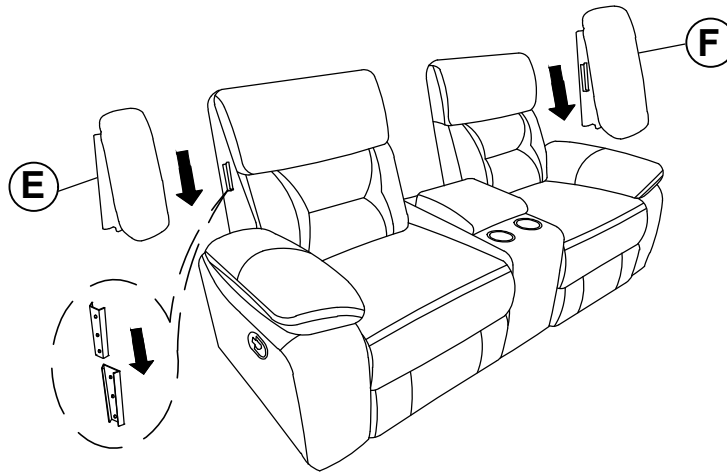
ITEM: **651355**

ASSEMBLY INSTRUCTIONS

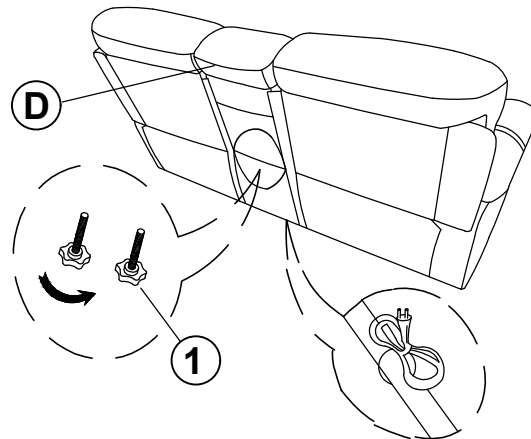
STEP 1



STEP 2

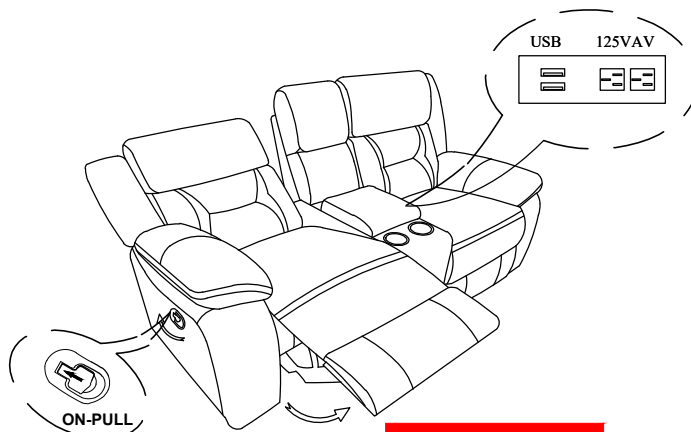


STEP 3



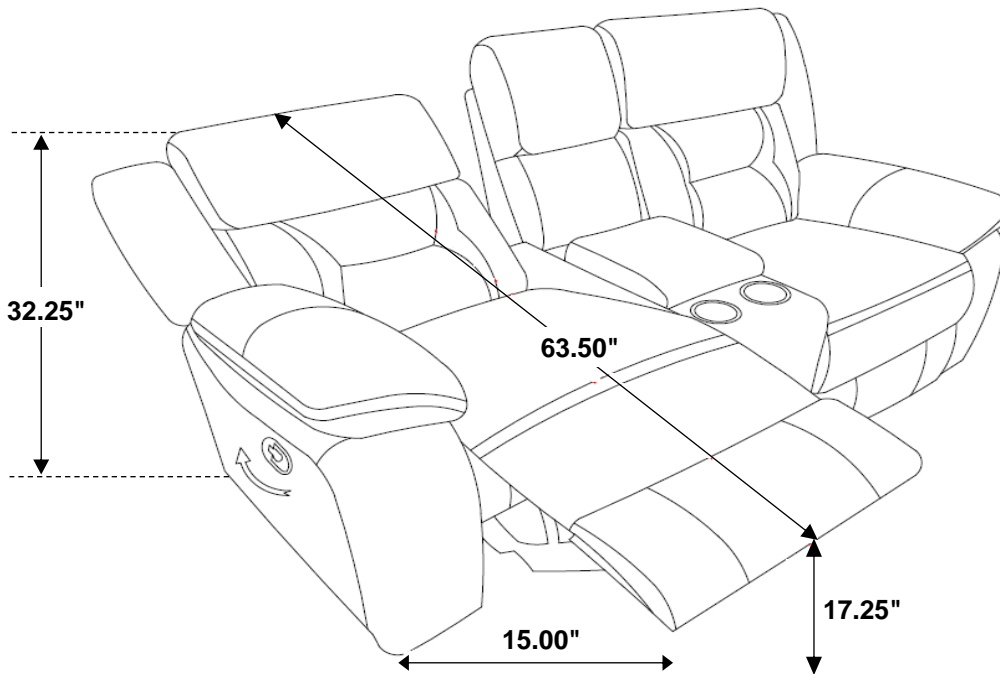
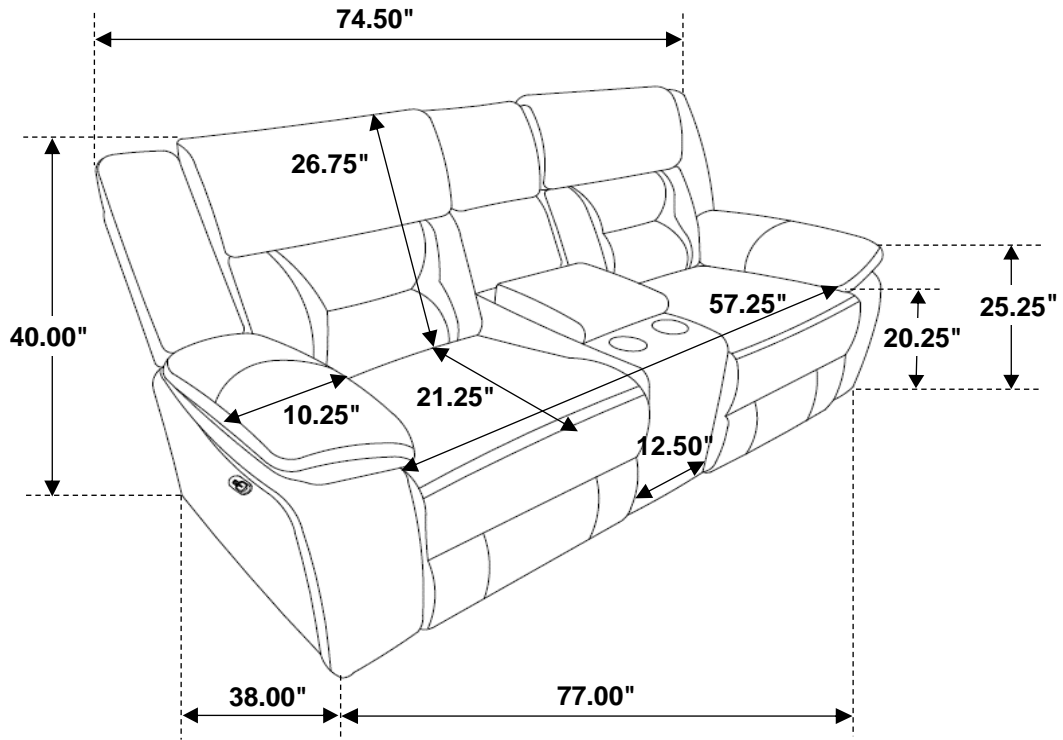
**POWER STRIP
INSIDE OF STORAGE**

**STEP 4
COMPLETE**



ITEM: 651355

COASTER
FINE FURNITURE



Note: Dimension tolerance $\pm 5\%$