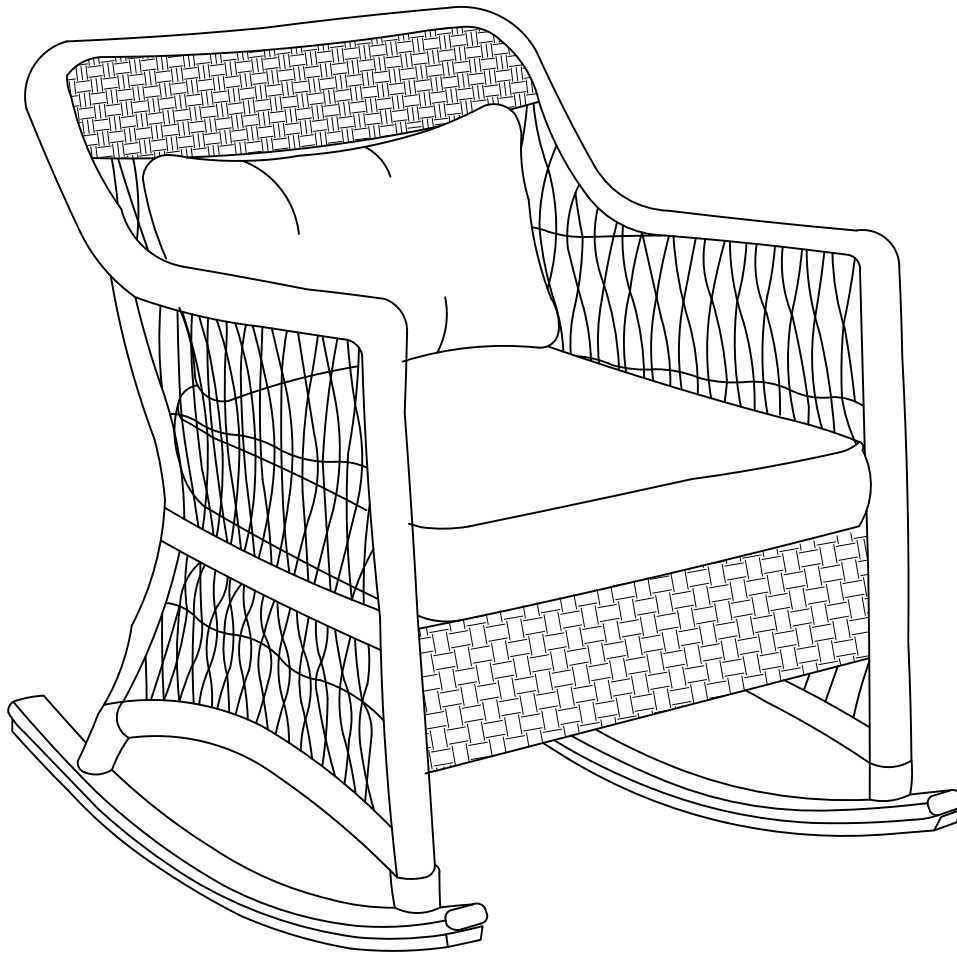
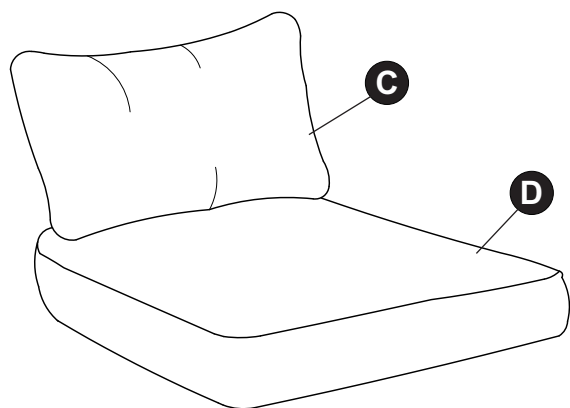
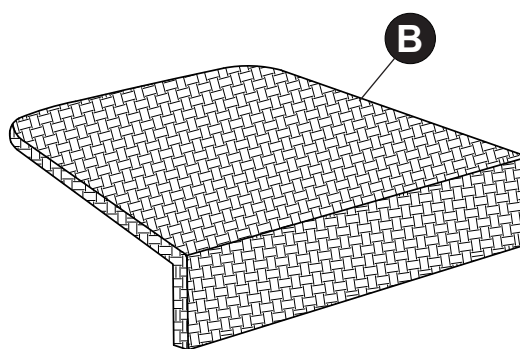
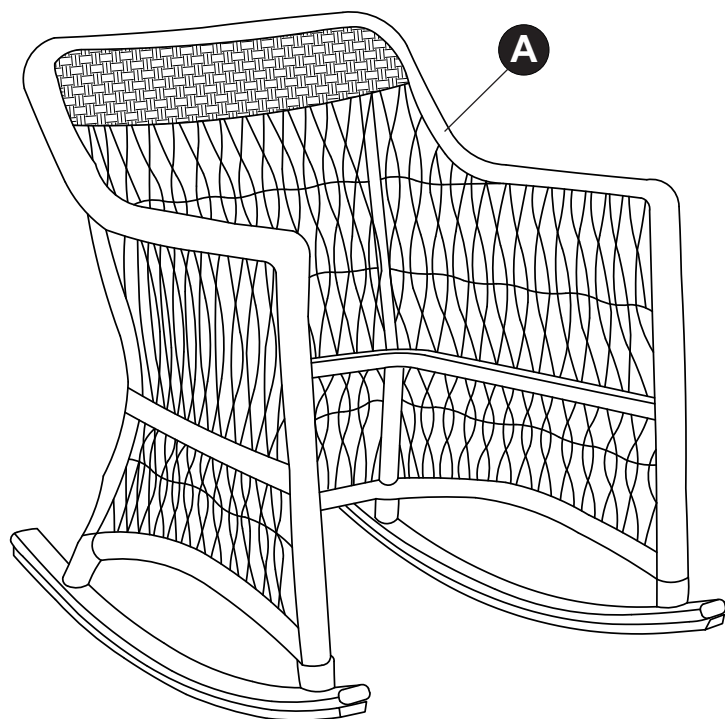


(ANTIQUE WHITE)  
ASSEMBLY INSTRUCTIONS



## PACKAGE CONTENTS

---



PART	DESCRIPTION	QTY
A	Chair Body	1
B	Seat Base	1
C	Back Cushion	1
D	Seat cushion	1

## HARDWARE CONTENTS

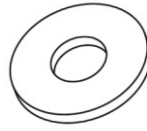
---

AA



M6 Bolt x 40mm  
Qty: 4

BB



Washer  
Qty: 4

CC




Allen Key  
Qty: 1

## SAFETY INFORMATION

---

Please read and understand this entire manual before attempting to assemble, operate or install the product.

 **CAUTION:** Assemble on a soft, non-abrasive surface.

## PREPARATION

---

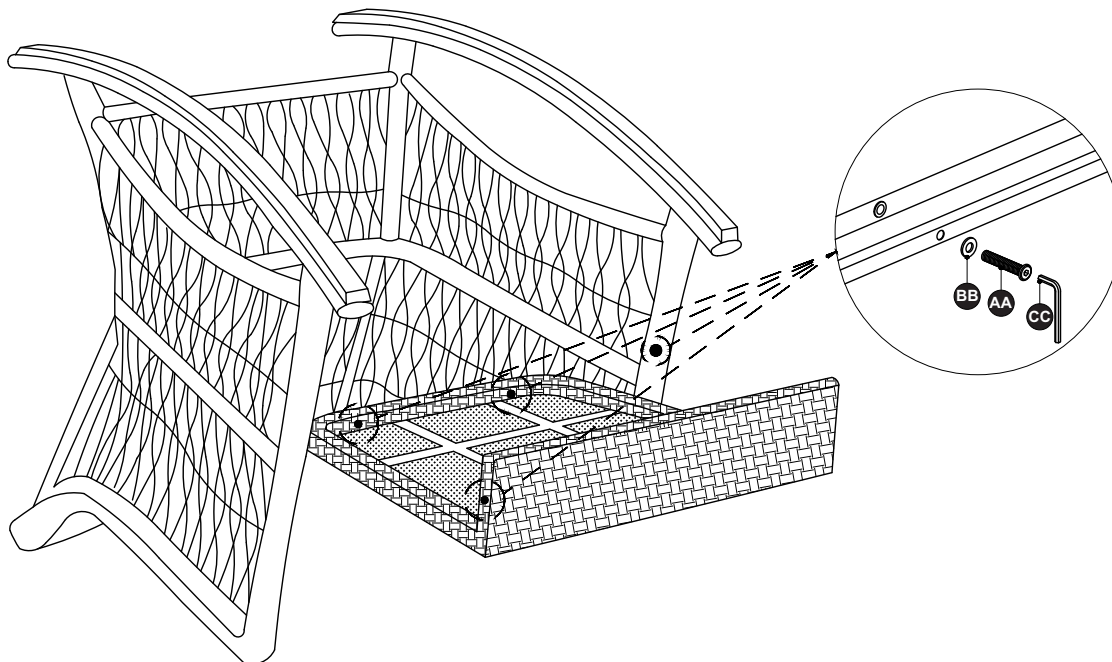
Before beginning assembly of product, make sure all parts are present. Compare parts with the package contents list and hardware contents list. If any part is missing or damaged, do not attempt to assemble the product.

If you find a missing or damaged part, please look through all pieces to make sure nothing else is missing or damaged. Compile a comprehensive list and give us a call. We will send out all parts in a single shipment. Ensuring you have all missing parts identified at the time you call will ensure a faster delivery to complete your beautiful patio furniture.

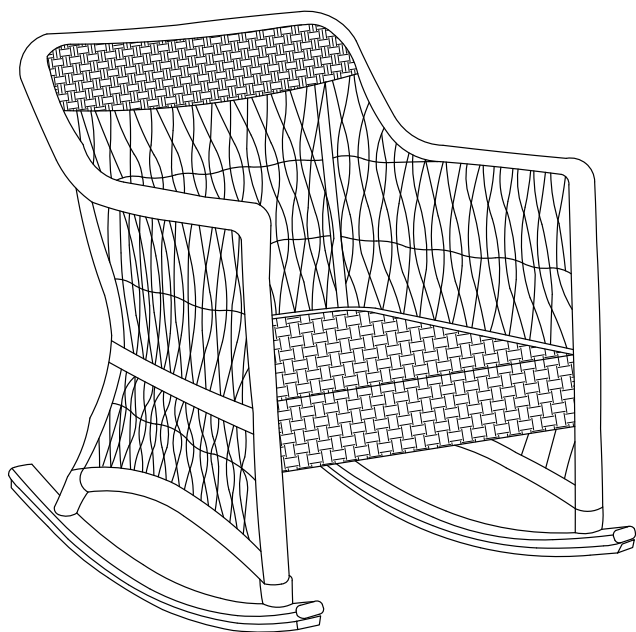
## ASSEMBLY INSTRUCTIONS

---

1. Place body chair (A) upside down on a soft surface and fasten the seat base (B) to the body with the bolts (AA) and washers (BB), using the allen key (CC).



2. After the assembly, flip the chair over.



3. Put the cushions on and enjoy your beautiful furniture.

