

# ASSEMBLY INSTRUCTION

	① x1	② x1	③ x1
	④ x1	⑤ x1	⑥ x1
	⑦ x1		

<b>Ax6</b>  6x40 mm	<b>Bx6</b>  10x10 mm	<b>Cx6</b>  6x25mm	<b>Dx2</b>  5x35mm
---------------------------	----------------------------	--------------------------	--------------------------

**1**

**Ax1**  
**Bx1**  
**Cx1**

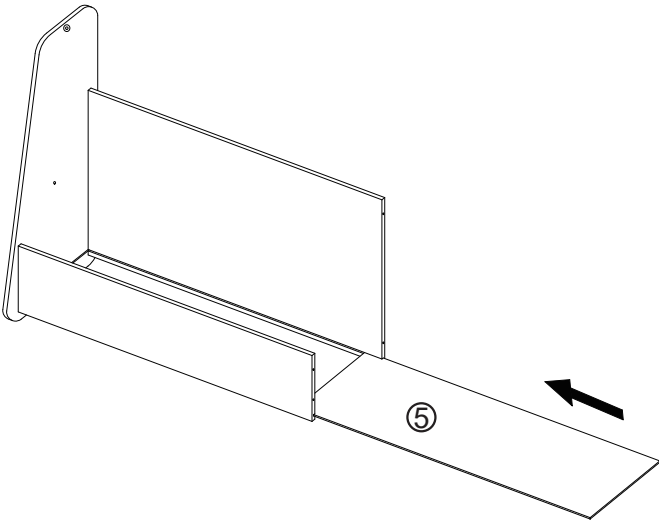
Please align the slots first and then tighten the screw

**2**

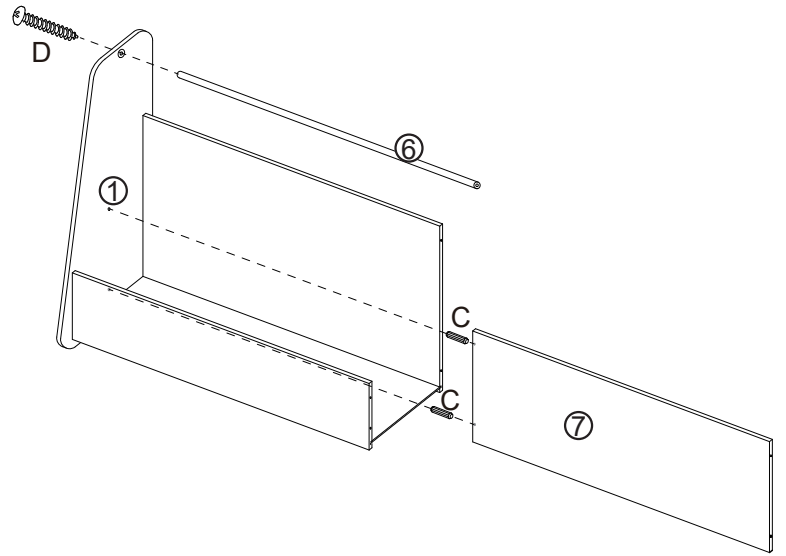
**Ax2**  
**Bx2**

Please align the slots first and then tighten the screw

**3**

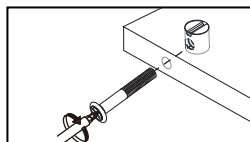
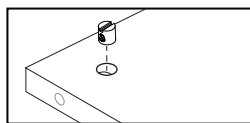
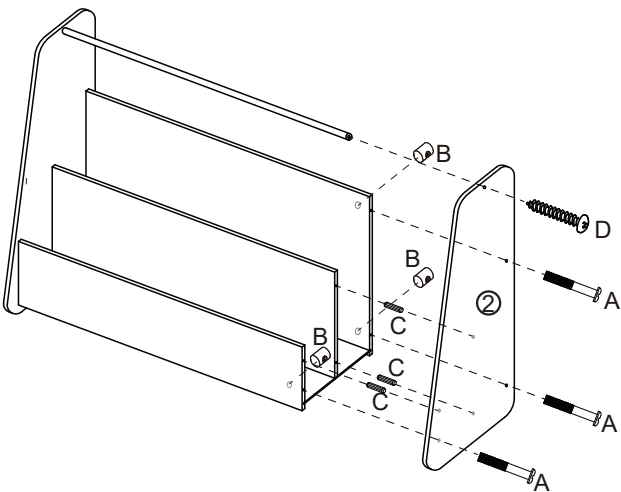


**4**



Cx2  
Dx1

**5**



Ax3  
Bx3  
Cx3  
Dx1

**6**

