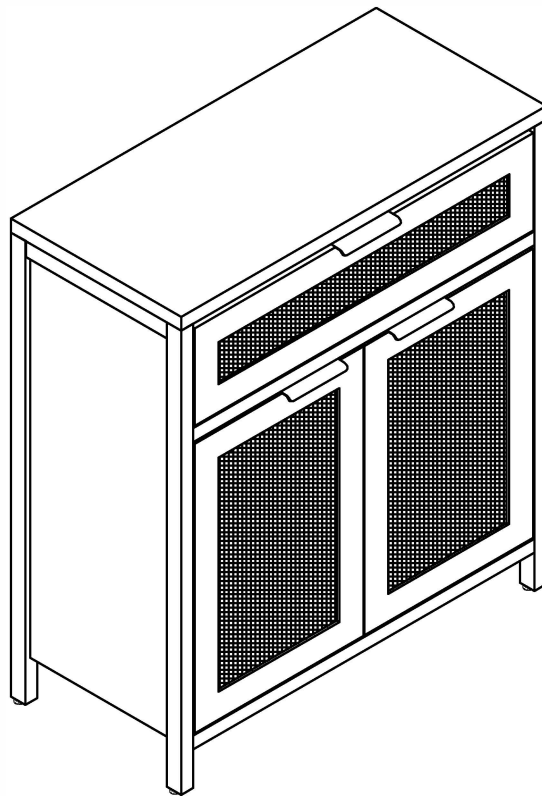
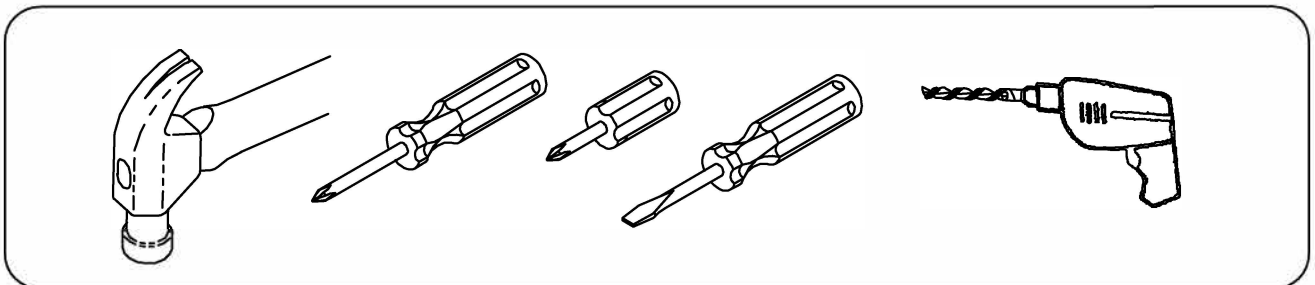


Installation & Assembly



YOU MAY NEED (NOT SUPPLY)



General Guidelines

- Please read the following instruction carefully and use the product accordingly.
- Please keep this manual and hand it over when you transfer the product.
- This summary may not include every detail of all variations and considered steps. Please contact us when further information and help are needed.

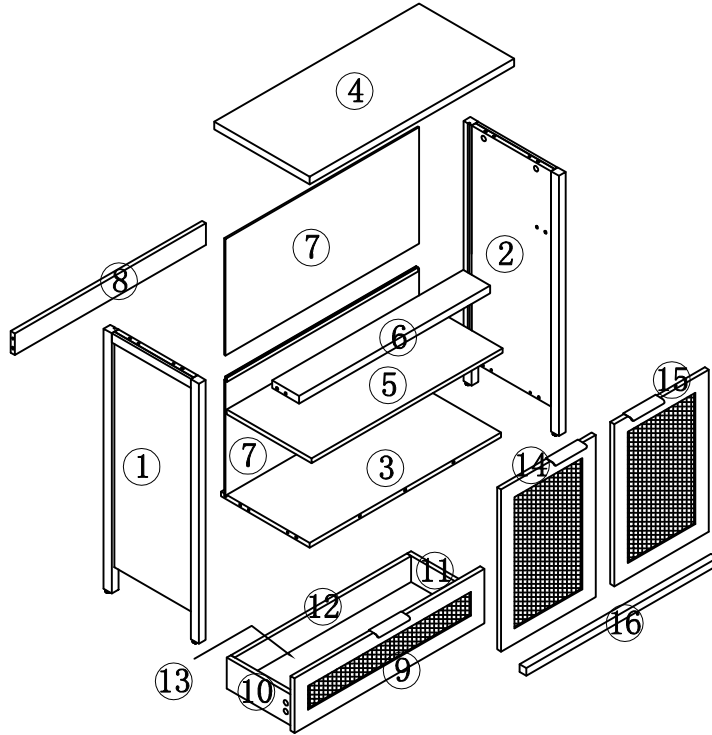
Notes




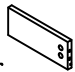
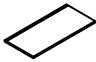
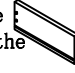

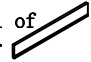

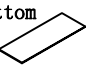


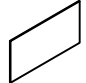



- The item is only intended for home use. Any uses that do not match the above description or unauthorized changes and modification are not permitted. Otherwise, it may result in personal injury or breakage of the product. The product must be assembled and used strictly in accordance with the provisions of the manual. The seller does not assume any responsibility or liability with respect to any damage caused by incorrect assembly or improper use.
- It is recommended to assemble it by 2 adults. Please read instructions carefully and assemble the item according to the instruction.
- Please check parts first after unpacking. If there are defective, broken or missing parts, please do not hesitate to contact.
- Please assemble the item in spacious room and do not place the unwrapped product directly on the ground.
- It is recommended to wear gloves in the assembly to avoid scratches by the sharp edges.
- Do not stand or sit on the wooden boards before the assembly.
- Please match the corresponding board and fitting based on the part number in the manual.
- If the board does not match with the fitting, please check the pieces as specified in this manual.
- Please refer to the diagram during assembly. Align all the screws with the related pre-drilled holes first and later tighten the screws one by one after putting all the parts in the correct places.
- Please remove all items on the product before moving.
- Two people are required to move the product as the item should be lifted off the ground. Please do not drag it along the floor as it may damage your floor.
- Do not expose the product to direct sunlight or rain. Do not put it in a humid place. Failure to do so may accelerate the distortion, discoloration or crack. Do not leave sharp objects.
- Do not pour corrosive chemicals on the surface of the board.
- For daily care, please clean with a damp cloth and wipe dry immediately














Warnings

- It is not intended for use by children under 3 years of age. Children must be under adult supervision to use the product.
- Children are not allowed to climb or play on the item to avoid toppling over which may cause serious or fatal injury.
- During the assembly process, keep small parts out of the reach of children. It may be fatal if small parts are swallowed or inhaled.
- To avoid the potential dangers of suffocation, please keep all parts and packaging (films, plastic bags and foam, etc.) away from babies and children



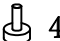
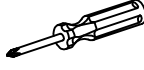
ASSEMBLY DIAGRAM



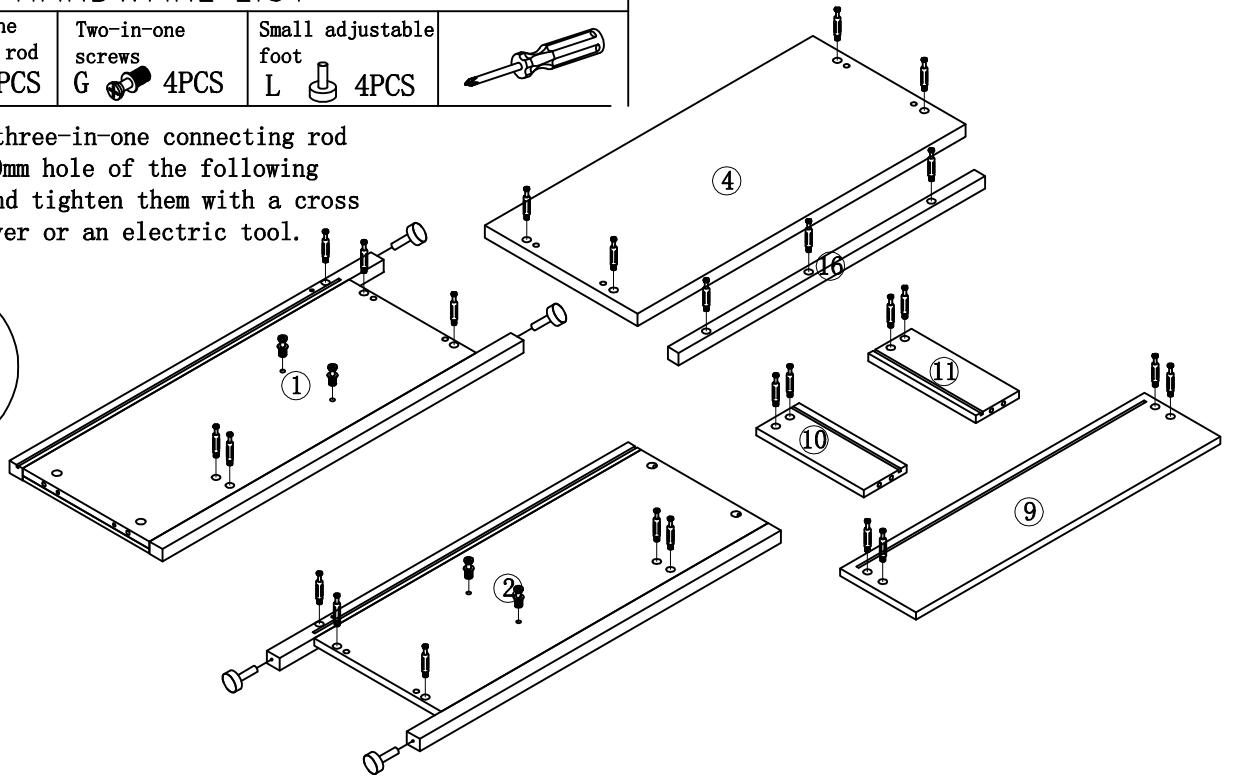
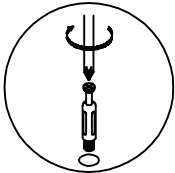
PARTS LIST					
PARTS LIST					
NO	DESCRIPTION	QTY	NO	DESCRIPTION	QTY
①	Left side panel 	1	⑨	Draw the panel 	1
②	Right side panel 	1	⑩	Left side panel of the drawer 	1
③	Bottom panel 	1	⑪	Right side panel of the drawer 	1
④	Top panel 	1	⑫	Back panel of the drawer 	1
⑤	Partition panel 	1	⑬	Drawer bottom panel 	1
⑥	Front panel 	1	⑭	Left door panel 	1
⑦	Back panel 	2	⑮	Right door panel 	1
⑧	Back panel 	1	⑯	Front panel 	1

PARTS LIST					
HARDWARE LIST					
NO	DESCRIPTION	QTY	NO	DESCRIPTION	QTY
A	Three-in-one eccentric wheel 	25	H	Door hinge 	4
B	Three-in-one connecting rod 	25	I	4*12mm screw 	6
C	Three-in-one sticker 	25	J	4*16mm screw 	36
D	8*40mm wood dowel pins 	10	K	Door handle 	3
E	Drawer slides 	2	L	Small adjustable foot 	4
F	Two-in-one lock handle 	4	M	Back panel H card bar 	1
G	Two-in-one screws 	4			
CAUTION: Please confirm the parts list before installation					

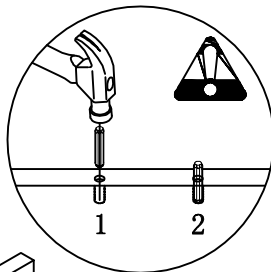
STEP 1

HARDWARE LIST			
Three-in-one connecting rod B  25PCS	Two-in-one screws G  4PCS	Small adjustable foot L  4PCS	

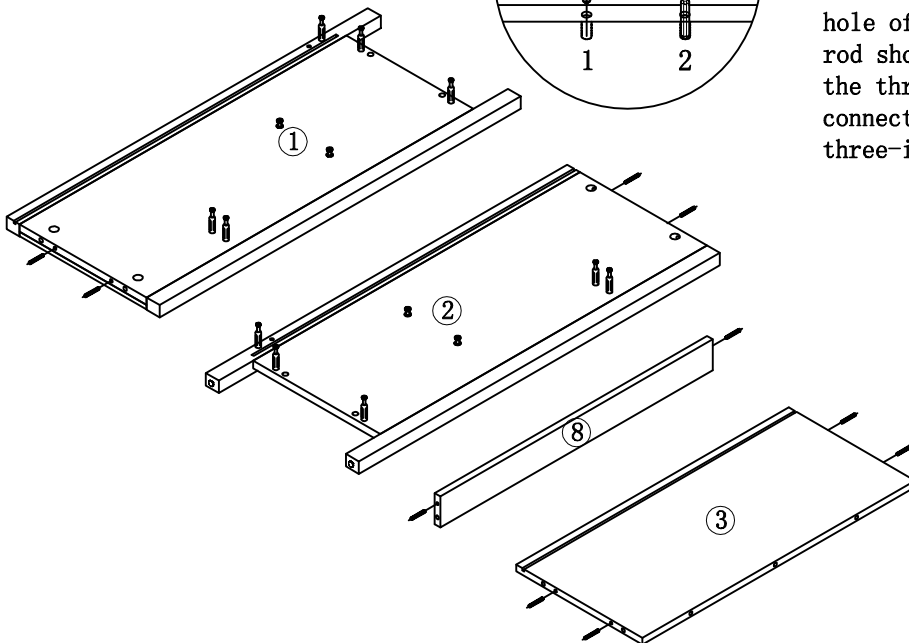
1. Put the three-in-one connecting rod in the 10mm hole of the following panels and tighten them with a cross screwdriver or an electric tool.


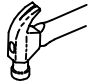


STEP 2

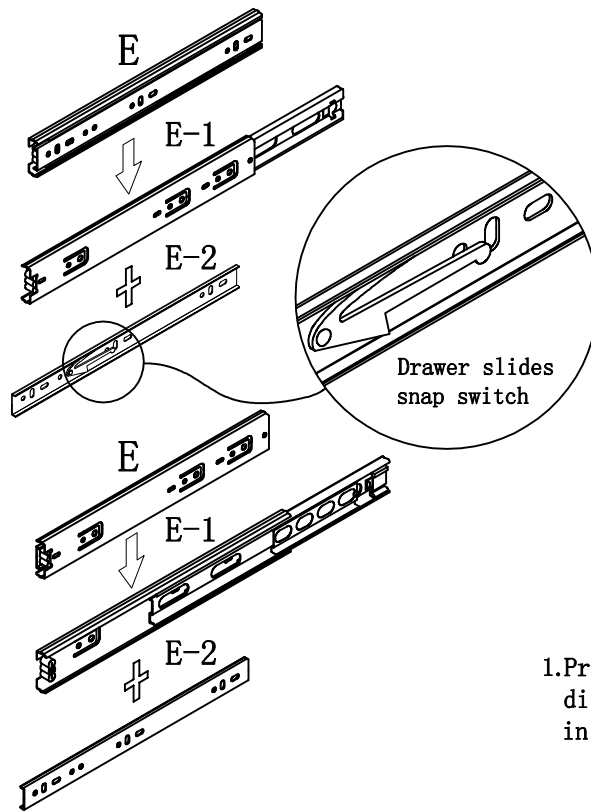


1. Strike the 08*40mm wood dowel pin into the 8mm hole of the above panels with an iron hammer. Please note that the hole of the three-in-one connecting rod should also be 8mm. The hole of the three-in-one connecting rod connects to the hole of 15mm three-in-one eccentric wheel.



HARDWARE LIST	
8*40mm wood dowel pins D  10PCS	

STEP 3

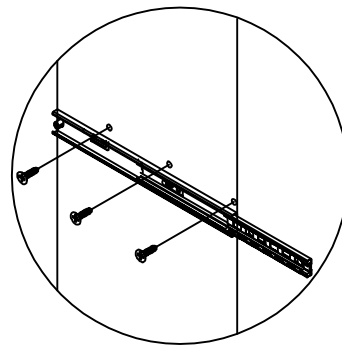
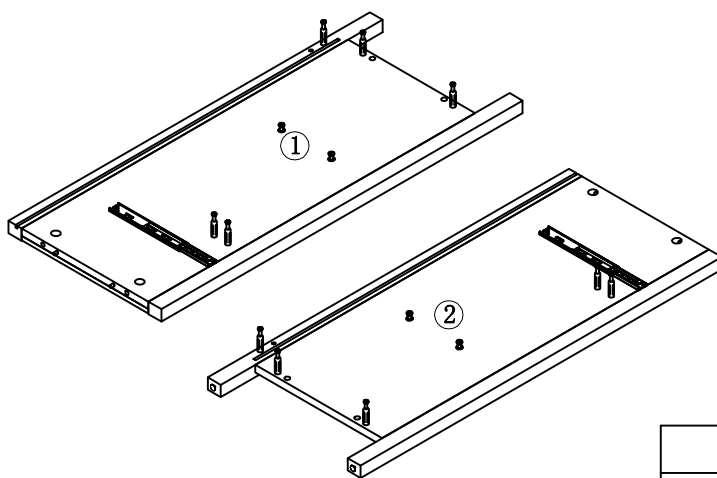


HARDWARE LIST	
Drawer slides	
E 2PCS	

1. Press the slide snap switch, disassemble slide blocks and put them in a place properly for further use.

STEP 4

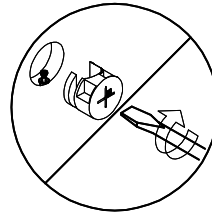
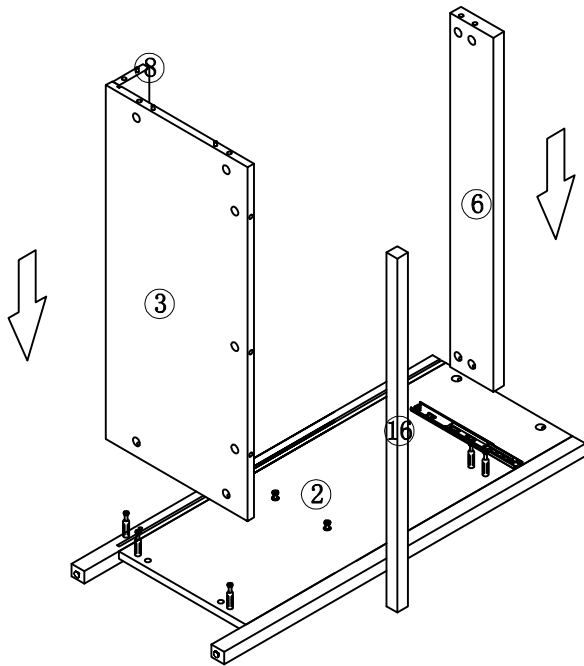
1. Fix the drawer slide to the side panel with 4*16mm screws.



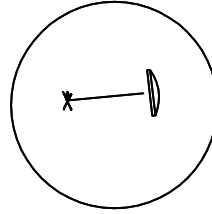
2PCS E-1

HARDWARE LIST		
4*16mm screw	Drawer slides	
J 6PCS	E-1 2PCS	




STEP 5



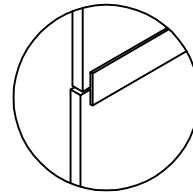
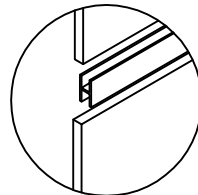
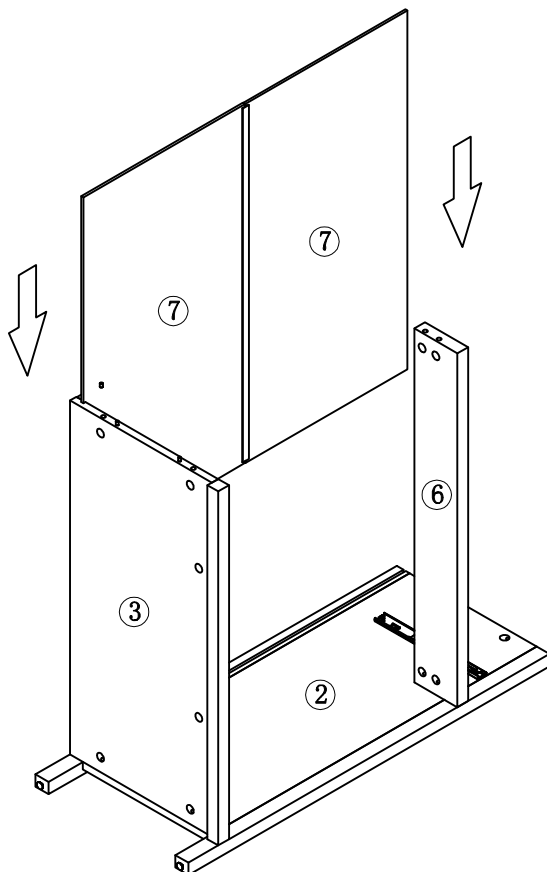
1. Connect No. 3-6-8 panel to No. 2 panel tightly with the three-in-one eccentric wheel.





2. Cover the mounting hole of the eccentric wheel with a three-in-one sticker.

HARDWARE LIST		
Three-in-one eccentric wheel A  8PCS	Three-in-one sticker C  8PCS	

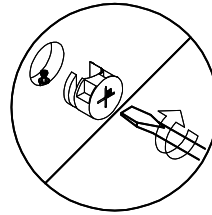
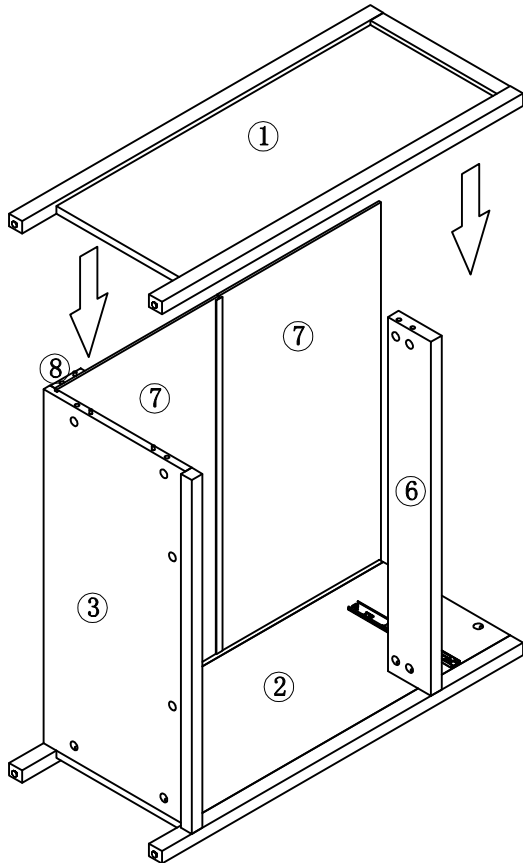
STEP 6



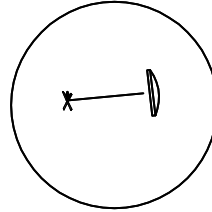
1. Insert the 7 panel into the 2-3 panel.
Please note that the two 7 panel connected by the Back panel H card bar

HARDWARE LIST	
Back panel H card bar M  1PCS	

STEP 7






1. Connect No. 1 panel to No. 3-6-8 panel tightly with the three-in-one eccentric wheel.

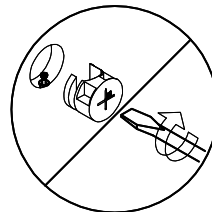
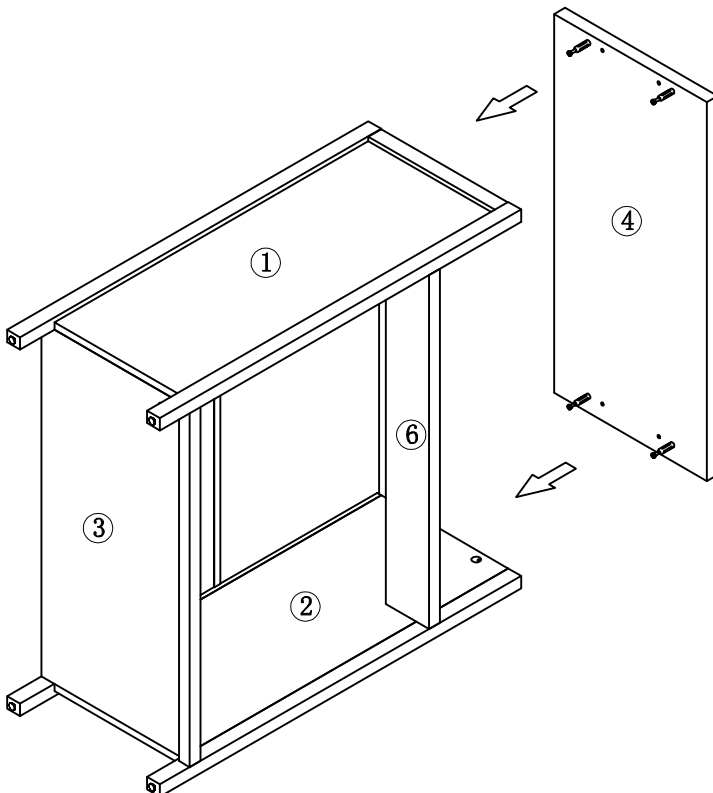


2. Cover the mounting hole of the eccentric wheel with a three-in-one sticker.

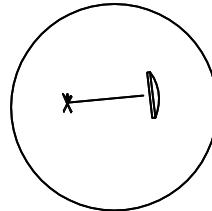
HARDWARE LIST

Three-in-one eccentric wheel A  5PCS	Three-in-one sticker C  5PCS	
---	---	--

STEP 8






1. Connect No. 4 panel to No. 1-2 panel tightly with the three-in-one eccentric wheel.

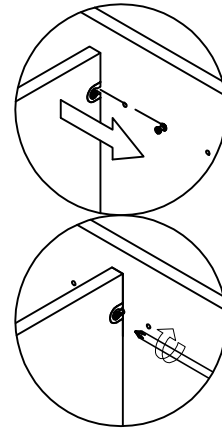
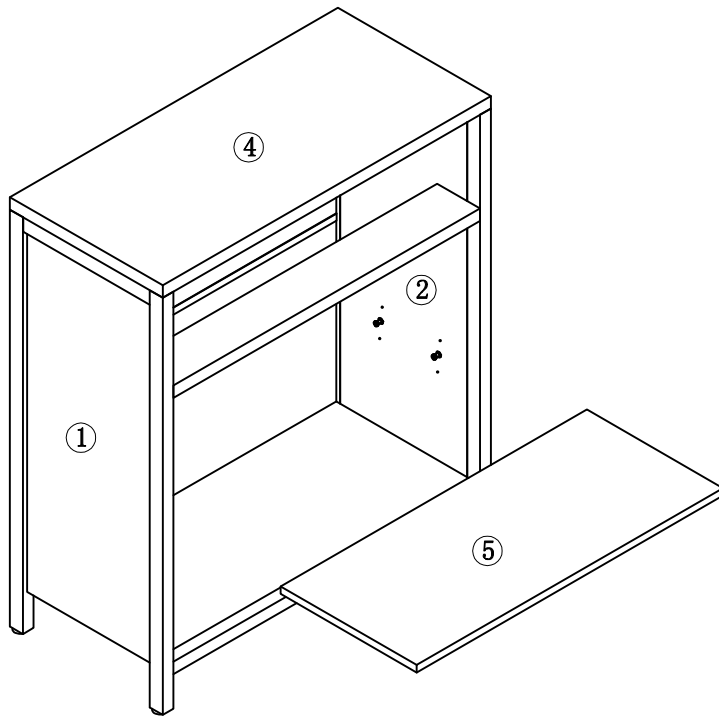


2. Cover the mounting hole of the eccentric wheel with a three-in-one sticker.



HARDWARE LIST

Three-in-one eccentric wheel  4PCS	Three-in-one sticker C  4PCS	
--	--	---

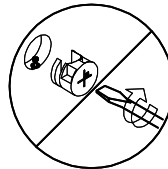
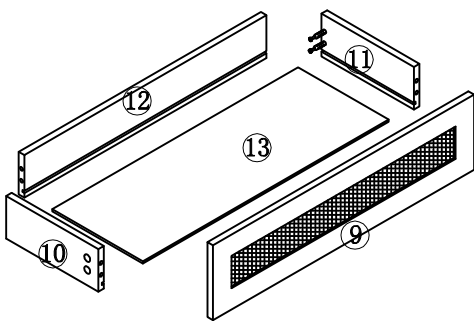
STEP 9



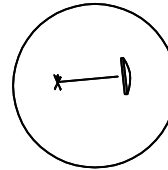
Fix the two-in-one lock handle on No.5 plate and put it in the cabinet.

HARDWARE LIST	
Two-in-one lock handle F  4PCS	

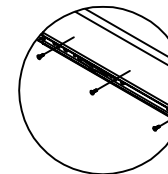
STEP 10



1. Install No. 9-10-11-12 panels with the three-in-one eccentric wheel tightly.

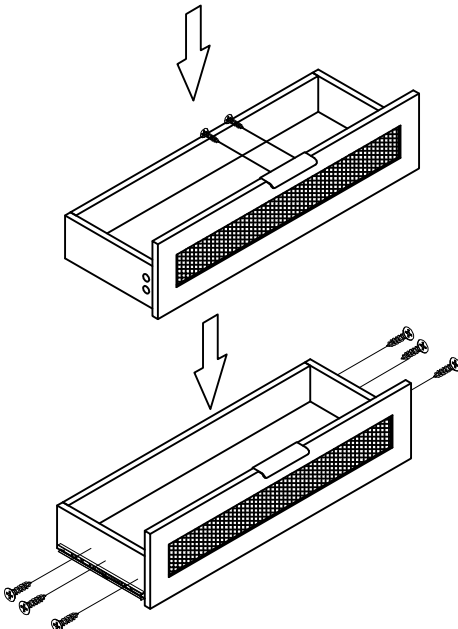









2. Cover the mounting hole of the eccentric wheel with a three-in-one sticker.



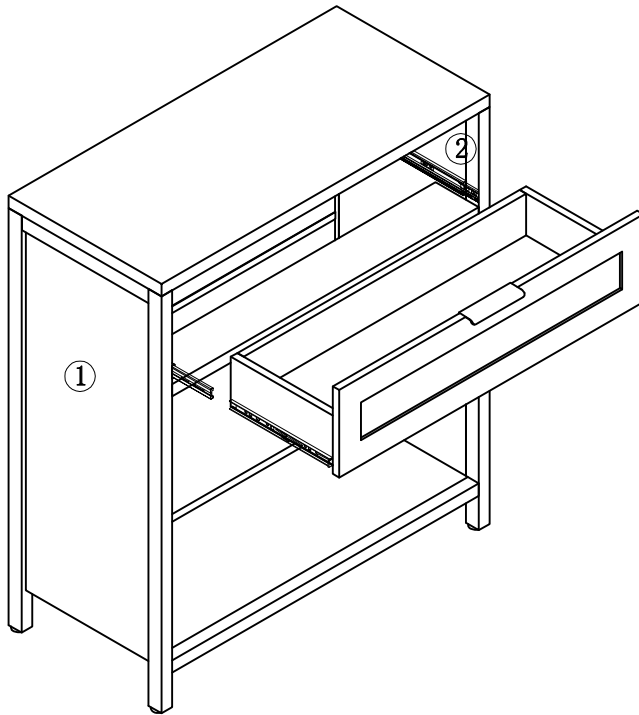
3. Lock the spare drawer slide block to the drawer.

Install the Door handle with 4*12mm screws.

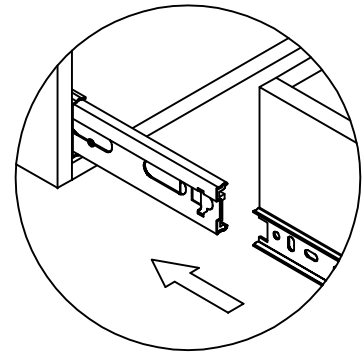


HARDWARE LIST			
4*12mm screw I  2PCS	4*16mm screw J  6PCS	Drawer slides E-2  2PCS	
Door handle K  1PCS	Three-in-one eccentric wheel A  8PCS	Three-in-one sticker C  8PCS	

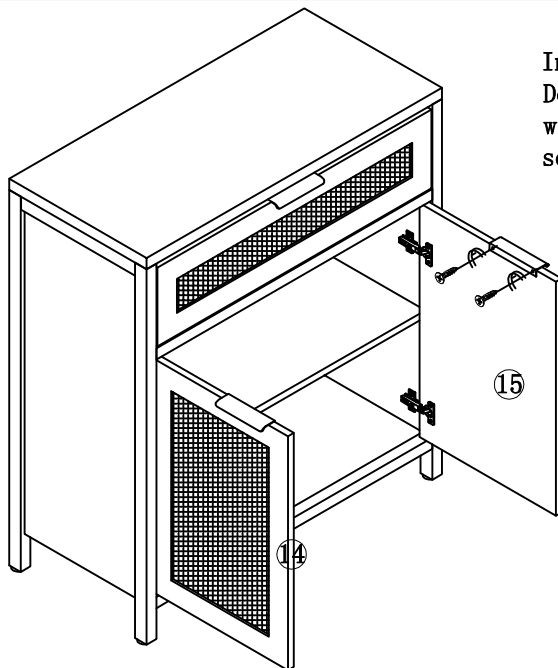
STEP 11



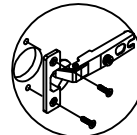
Align slide block with the trough on the guide rail, press the snap switch and press it forward to install the drawer.



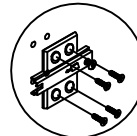
STEP 12



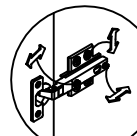
Install the Door handle with 4*12mm screws.



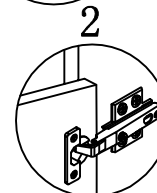
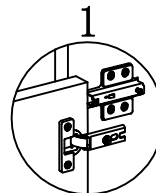
1. Install the hinge cup to the door panel with 4*16mm screws.



2. Install the hinge to the side panel with 4*16mm screws.



4. Adjust the door panel clearance.

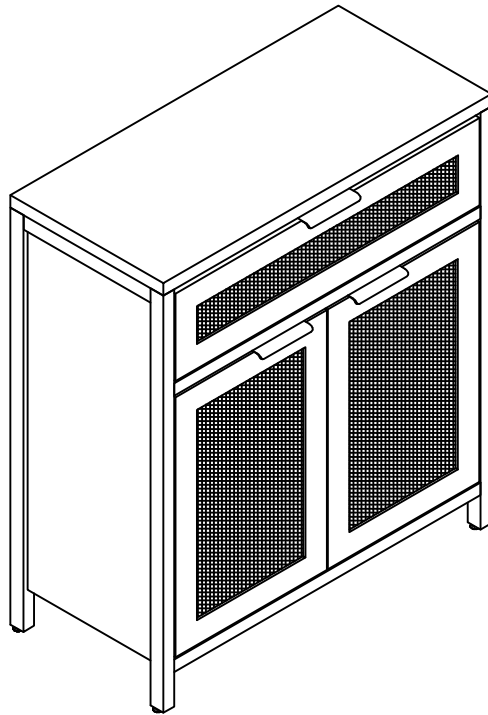


3. Install the hinge cup on the door panel to the hinge of the side panel.

HARDWARE LIST

4*16mm screw	Door hinge	Door handle	4*12mm screw	
J  24PCS	H  4PCS	K  2PCS	I  4PCS	

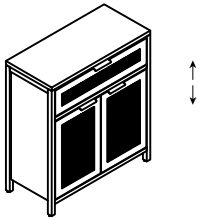
STEP 13



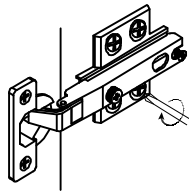
Adjustment and realignment of hinges/doors:

If the door panel is not neat or the gap is too large, it needs to be adjusted or realigned. Please follow the instructions in the following chart for operation.

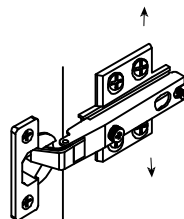
Up and down adjustment



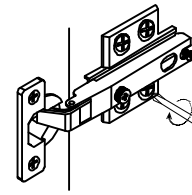
1. Loosen screws



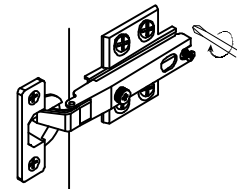
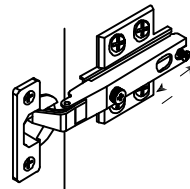
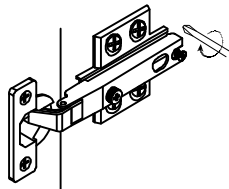
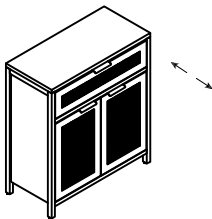
2. Adjust hinge



3. Tighten screws



Fore aft adjustment



Left and right adjustment

