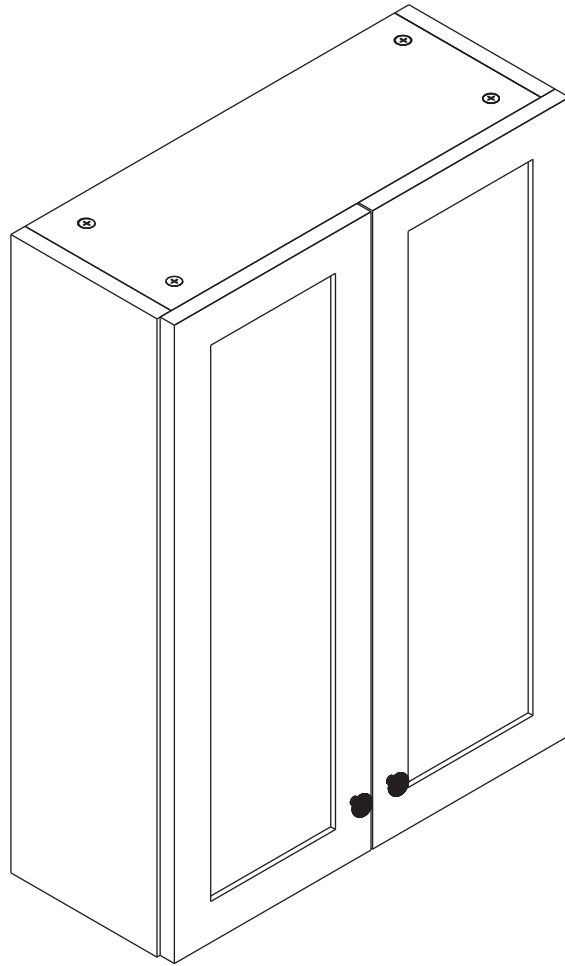


# **VANIRROR**

## **Installation Guide**

Before starting the installation, please read the manual first.  
The installation can be completed faster when you have a  
general understanding of the installation steps.

# 1



A



12 X A

B



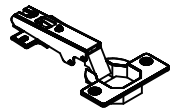
12 X B

C



8 X C

D



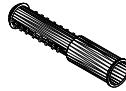
4 X D

E



4 X E

F



3 X F

G



3 X G

H



8 X H

I



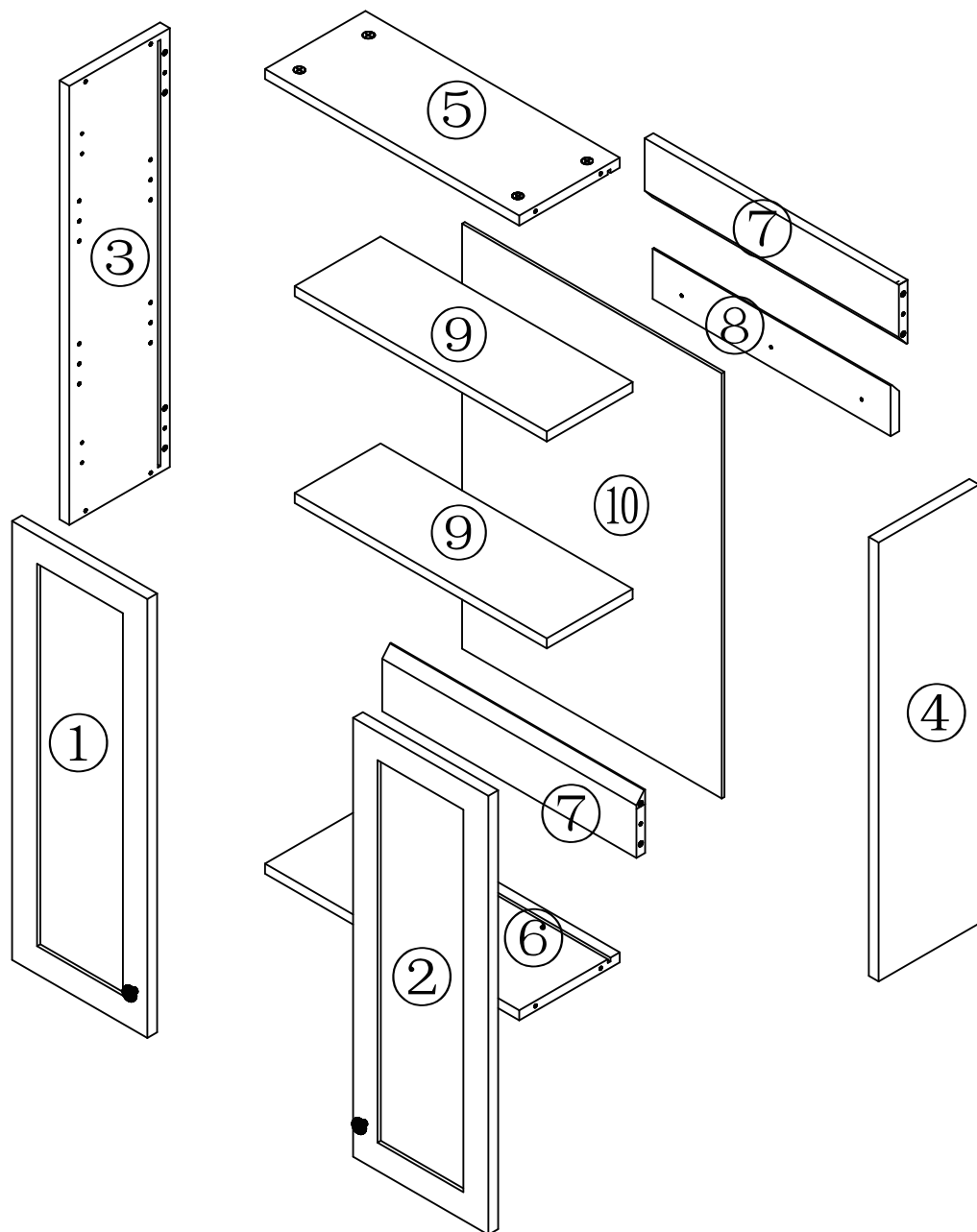
24 X I

J

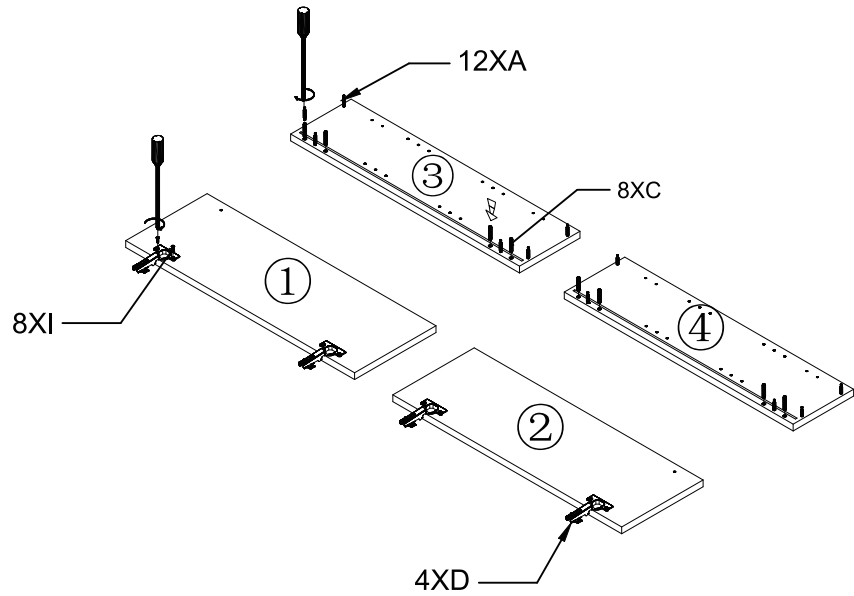


2 X J

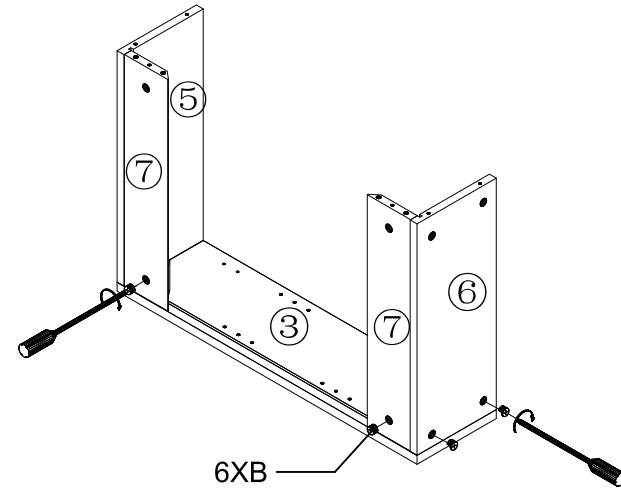
2



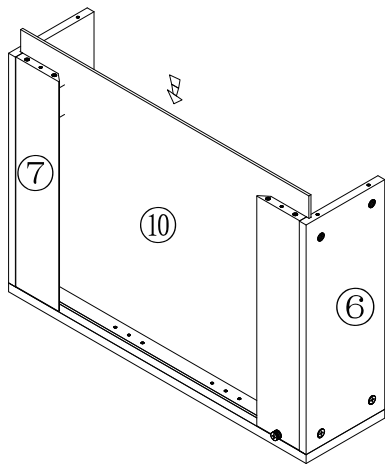
**2** Install the corresponding accessories onto panels 1, 2, 3, and 4.



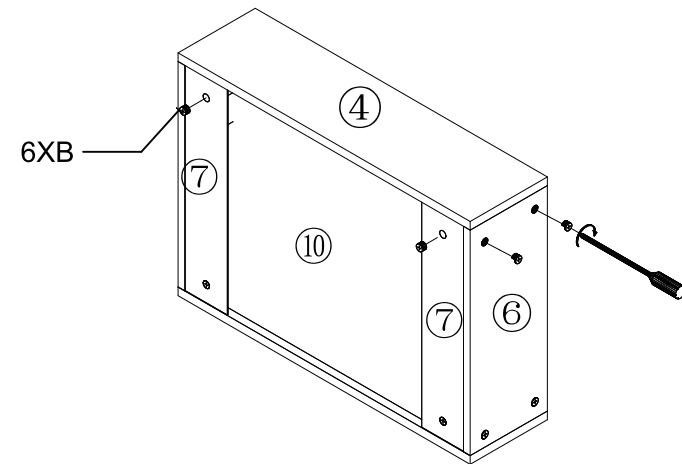
**3** Connect panels 5, 6, and 7 onto panel 3, and then tighten the two-in-one screw.



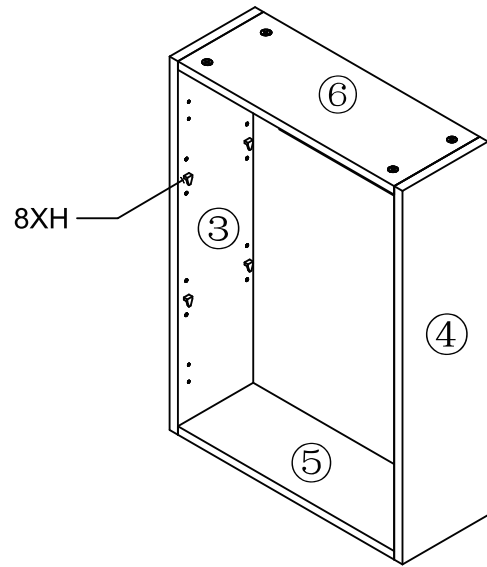
**4** Insert panel 10 into the slot.



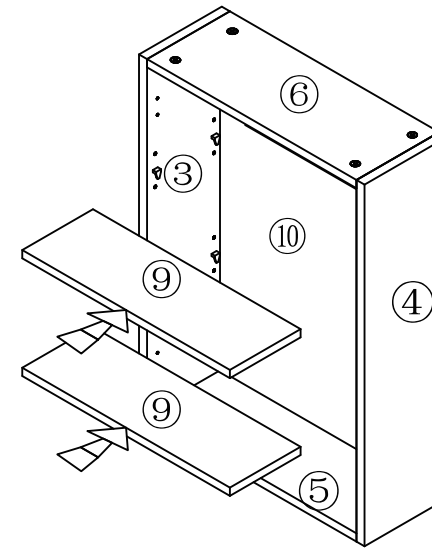
**5** Install and tighten the two-in-one screw onto panel 4.



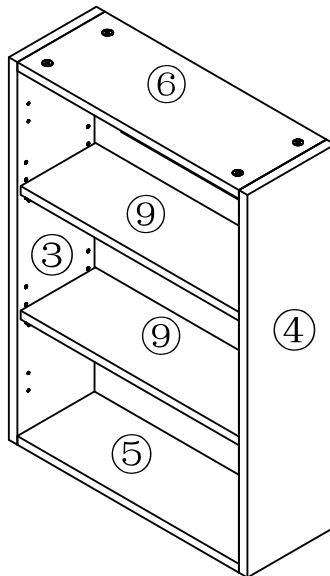
6 Install the shelf bracket "H".



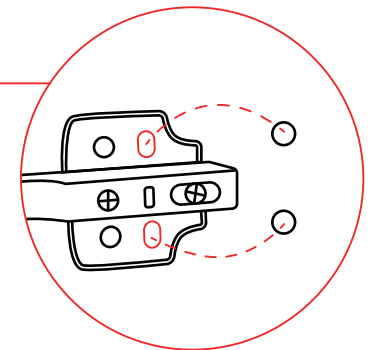
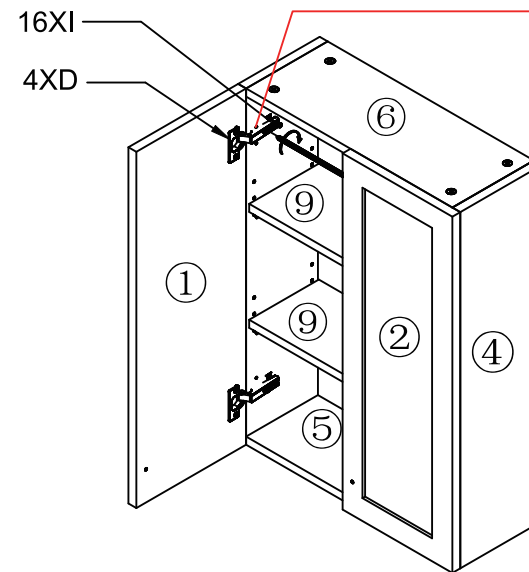
7 Place the shelf "9" into cabinet.



8

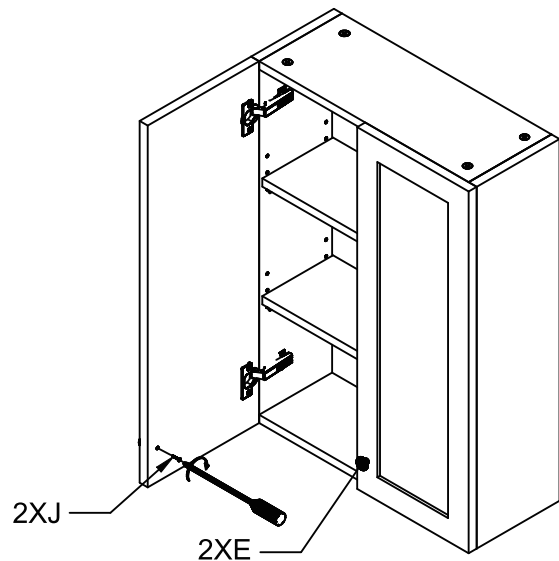


9 Install the cabinet doors.



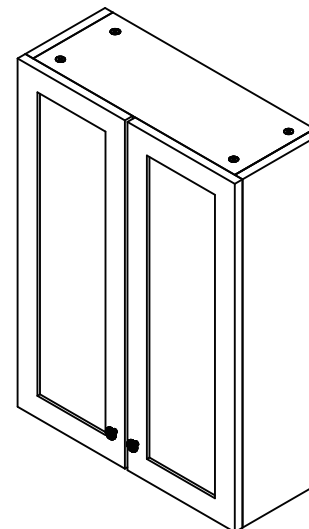
Align the hinge's oval hole with the reserved hole. First, fix the screw in the oval hole and see if these two cabinet doors are aligned vertically, if not, adjust the hinge up or down until these 2 doors are aligned. Then fix the other screws into the two circular holes (no pre-reserved holes on the panel).

## 10 Install handles "E" and "J".



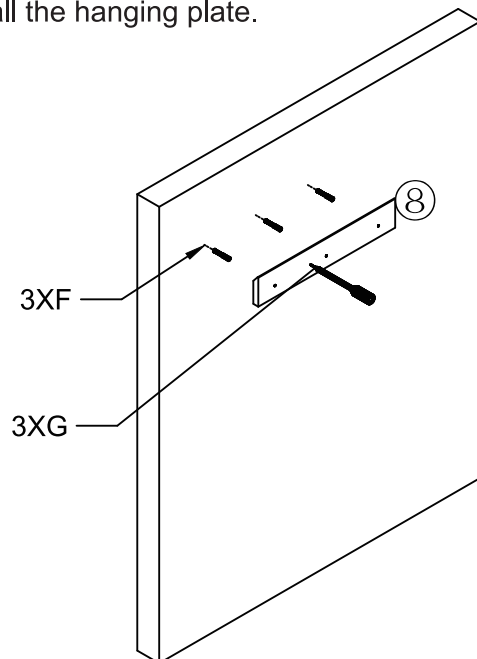
## 11 Assembly is complete.

If the door gap is too large, it can be adjusted through the hinge.  
Please refer to the hinge adjustment method in the instruction manual.

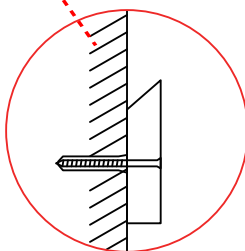


## 12 Install the hanging plate.

Use drill bit size 8.5mm-10mm to drill the wall



Load bearing wall

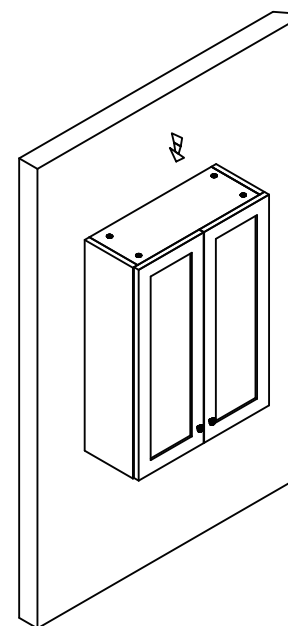


Note: Pay attention to the direction of the sloping edge of the hanging plate

Beveled edge upwards

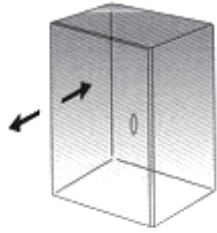
## 13 Hang the cabinet onto the hanging plate and finish all installations.

For the sake of safety, the cabinet only applicable to solid wall.

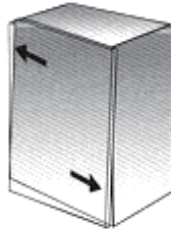


# Sketch Map For Adjusting Cabinet Door In Three Dimensions

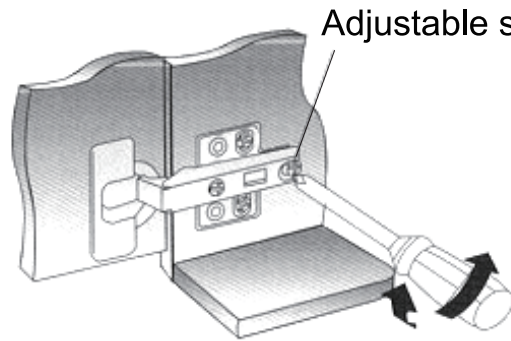
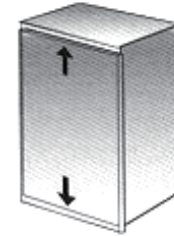
Inside / Outside



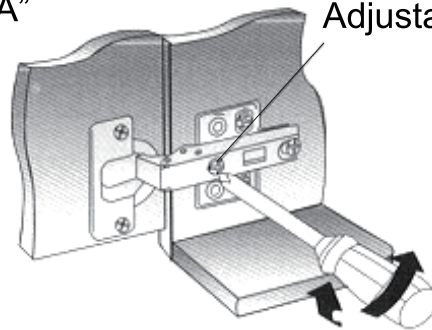
Left / Right



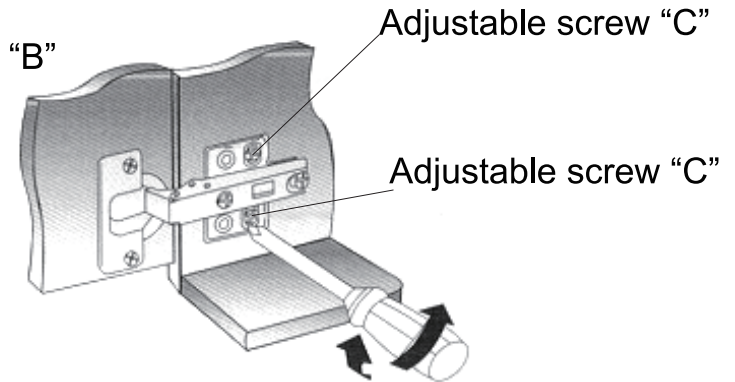
Up / Down



Adjustable screw "A"



Adjustable screw "B"



Adjustable screw "C"

Adjustable screw "C"

Front and rear adjustment in three dimensions.  
Loosen screw "A" to adjust the front and back, and tighten screw "A" after adjusting.

Adjustable screw "B"  
Left and right adjustment in three dimensions

Vertical adjustment in three dimensions  
Verticality and clearance between top and bottom can be corrected by adjusting screw "C" on hinge base board.

