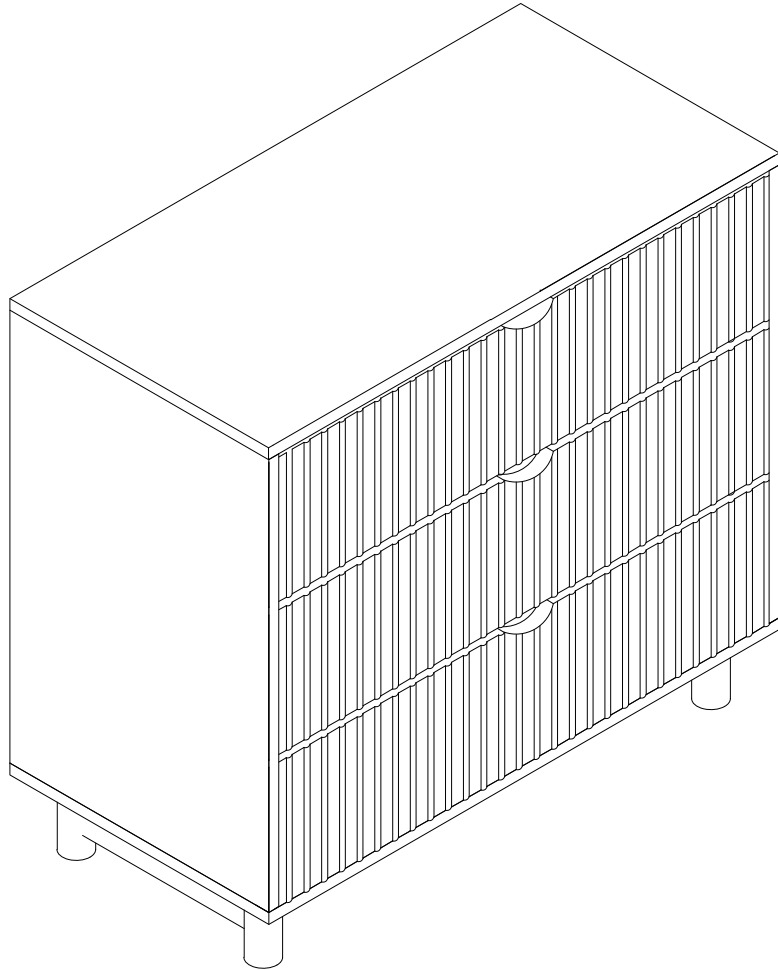


Installation Instruction



Product Name

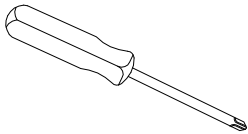
3 Drawer Cabinet

Ver.1.0 20231031

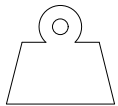
Assembling

What you need

- Use the packaging carton as a working surface to prevent product damage during assembly
- Phillips head screwdriver



Weight Limitation

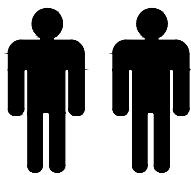


55

lbs table top

| 11

lbs per drawer



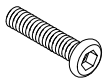
2 PERSONS

What's included

Code	Description	Qty
A	Bolt M6X33MM	8
B	Metal Washer	8
C	Cam Bolt M6×35MM	21
D	Screw M3×12MM	36
E	Cam Lock M10×15MM	21
F	Wooden Dowel M6×30MM	10
G	Screw M4×35MM	4
H	Metal Plate	1
I	Alley Key	1
J	Screw M4×14MM	1
K	Screw M4×30MM	16
L	Anchor M4×24MM	1
M	Slide Sets	3
N	Plastic Corner Support	8
O	Screw M3×14MM	8

The Hardwares

A



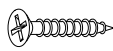
B



C



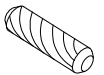
D



E



F



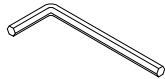
G



H



I



J



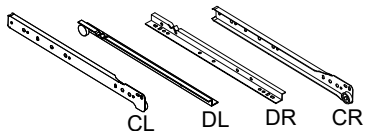
K



L



M



N



O



IMPORTANT :

1. Do not tighten bolts / screws completely until all bolts / screws are lined up and inserted into holes.
2. Do not over tighten screws and bolts to avoid stripping.
3. Please use hand tools to assemble this product. Do not use power tools.
4. Must need 2 people to assemble this product.

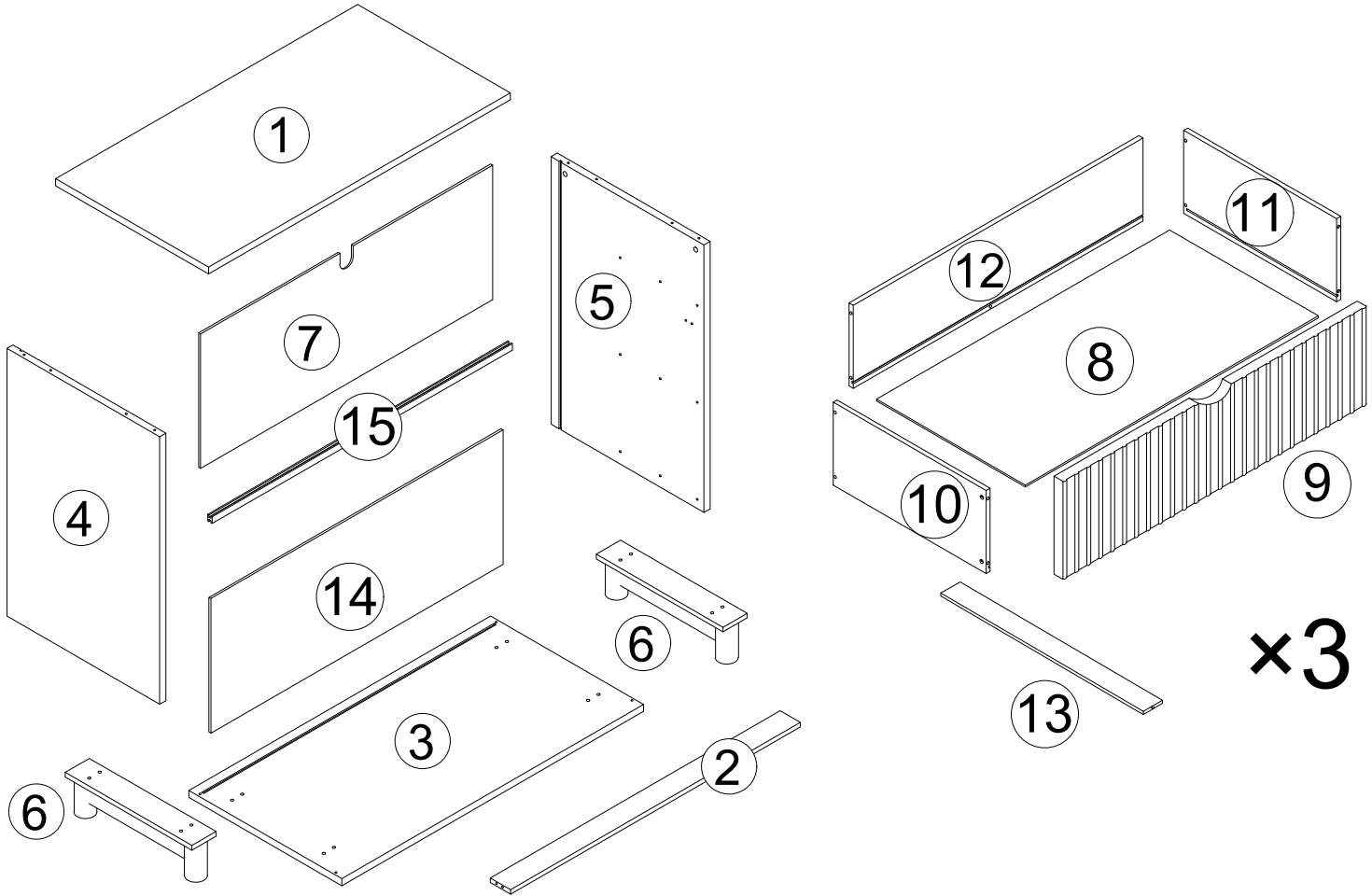


2 PERSONS

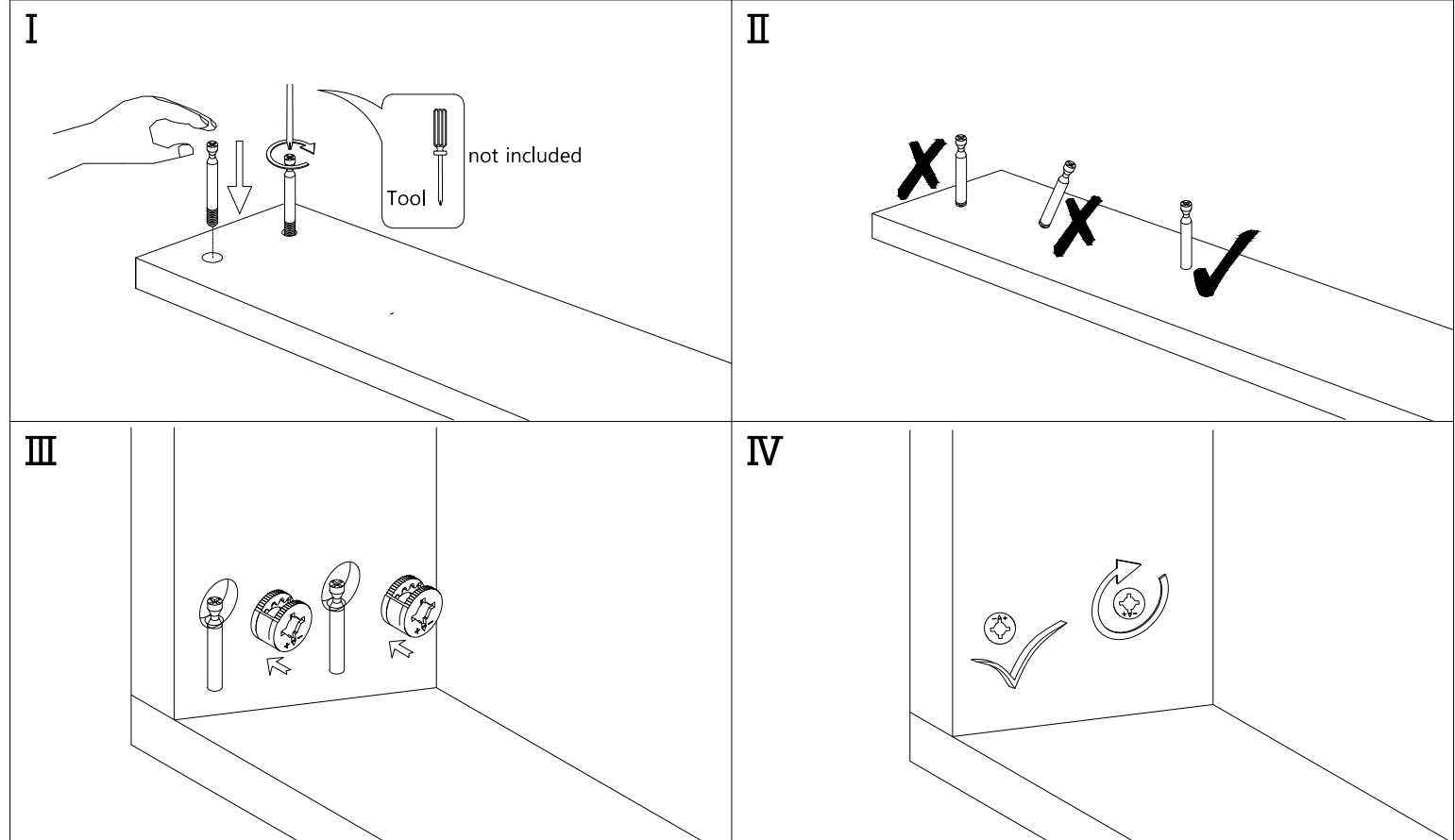
Included Accessories

Code	Description	Qty
1	Cabinet Top	1
2	Front Support Panel	1
3	Bottom Panel	1
4	Left Side Panel	1
5	Right Side Panel	1
6	Feet Frame	2
7	Upper Back Panel	1
8	Drawer Bottom Panel	3
9	Drawer Front Panel	3
10	Drawer Left Side Panel	3
11	Drawer Right Side Panel	3
12	Drawer Back Panel	3
13	Drawer Support Panel	3
14	Lower Back Panel	1
15	Back Stretcher	1

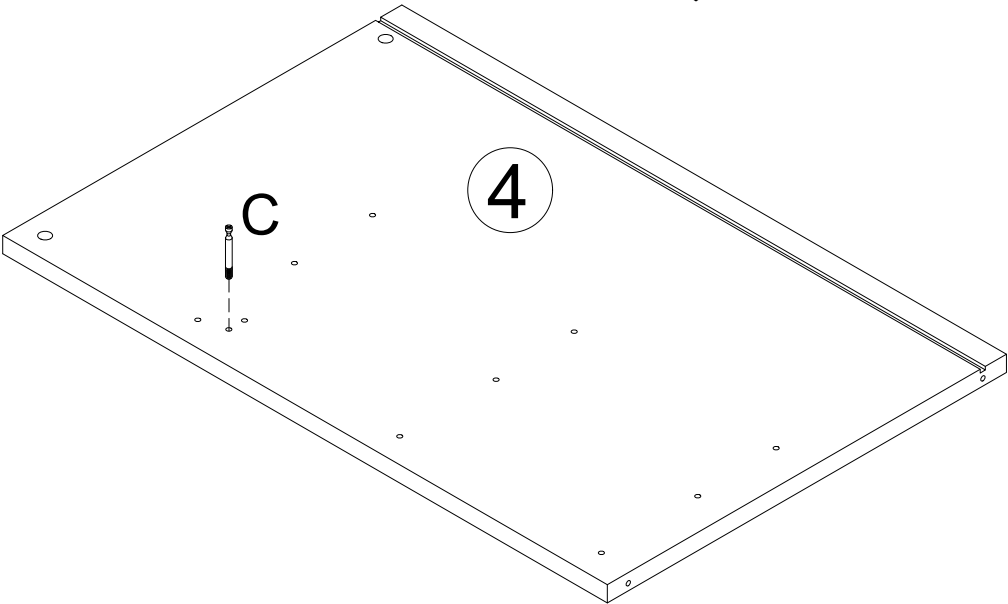
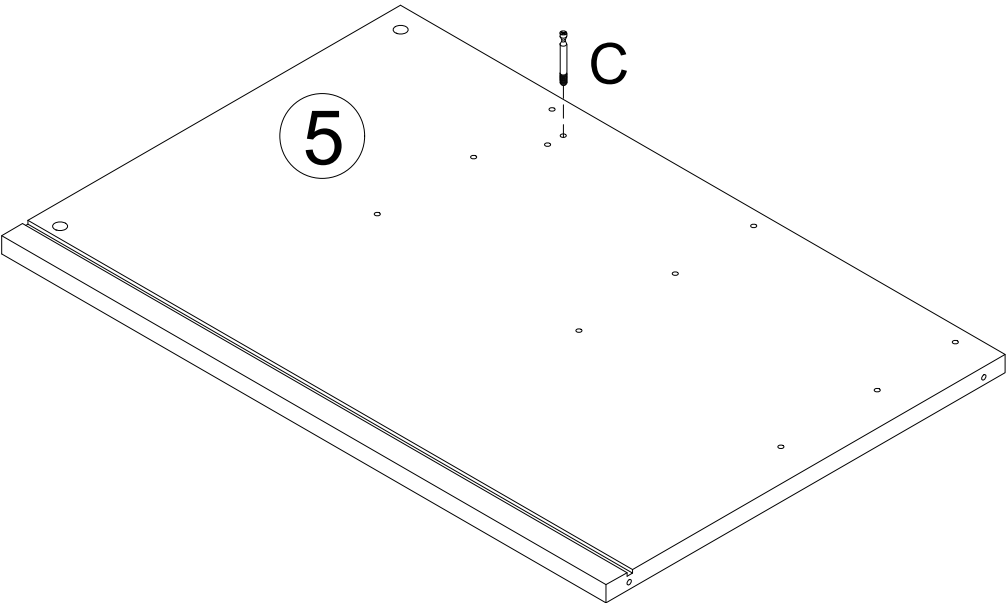
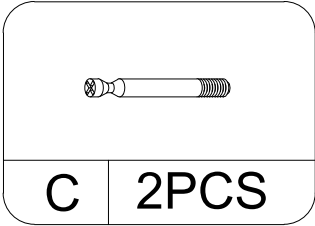
The Accessoriess



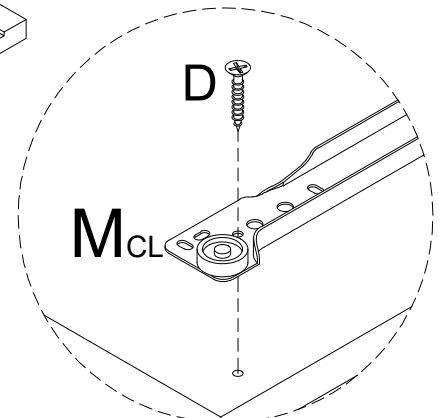
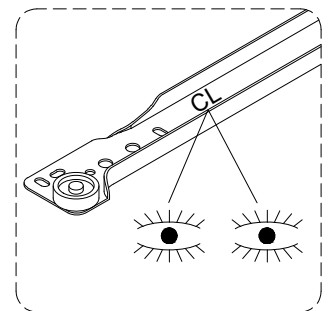
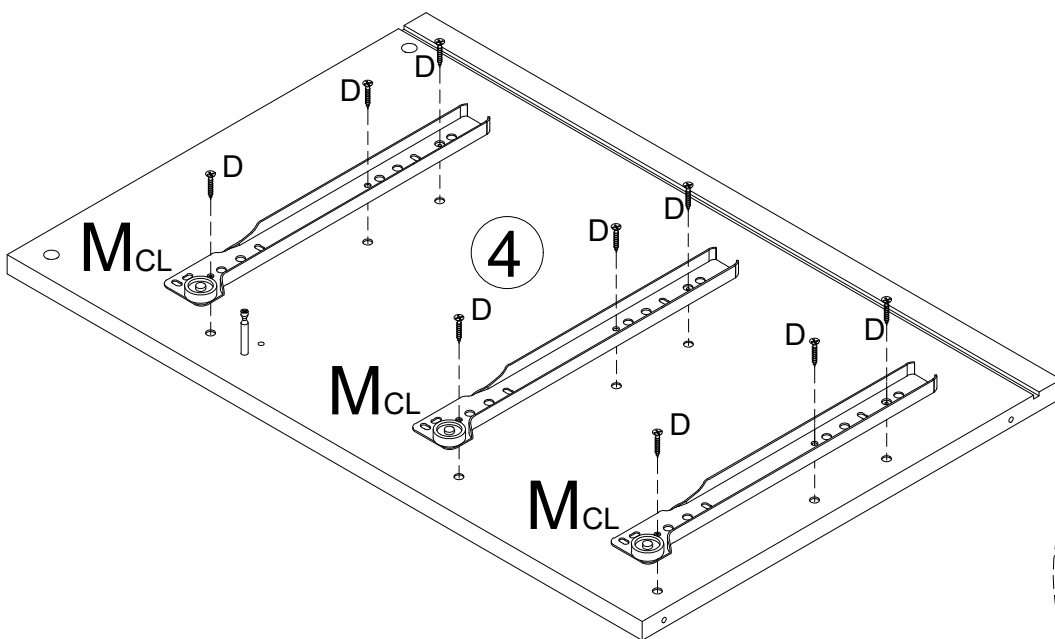
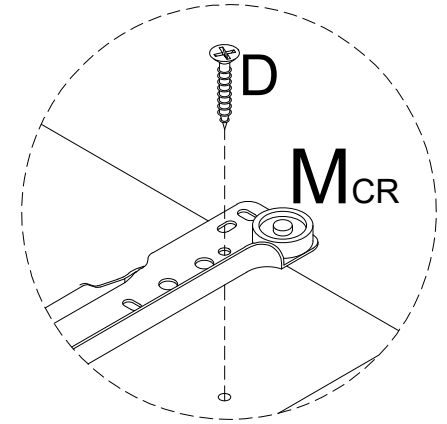
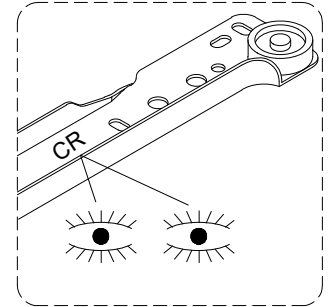
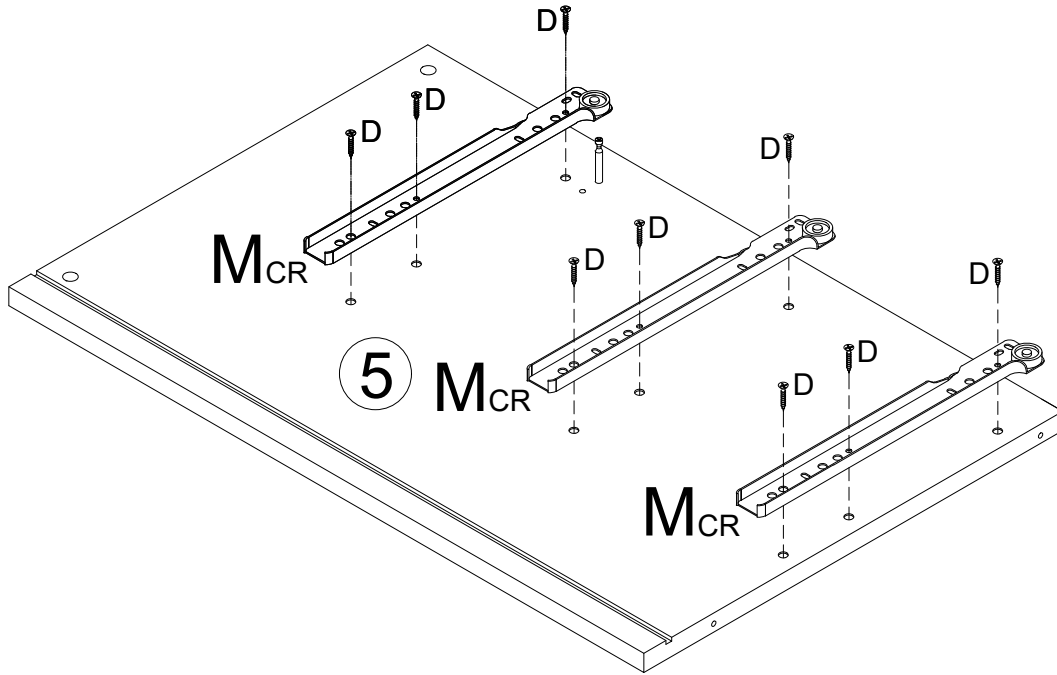
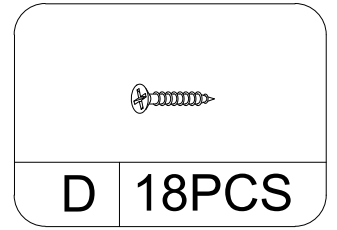
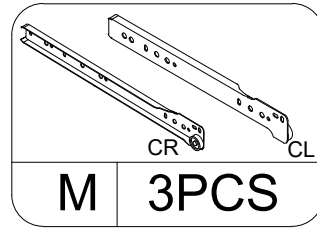
NOTED:



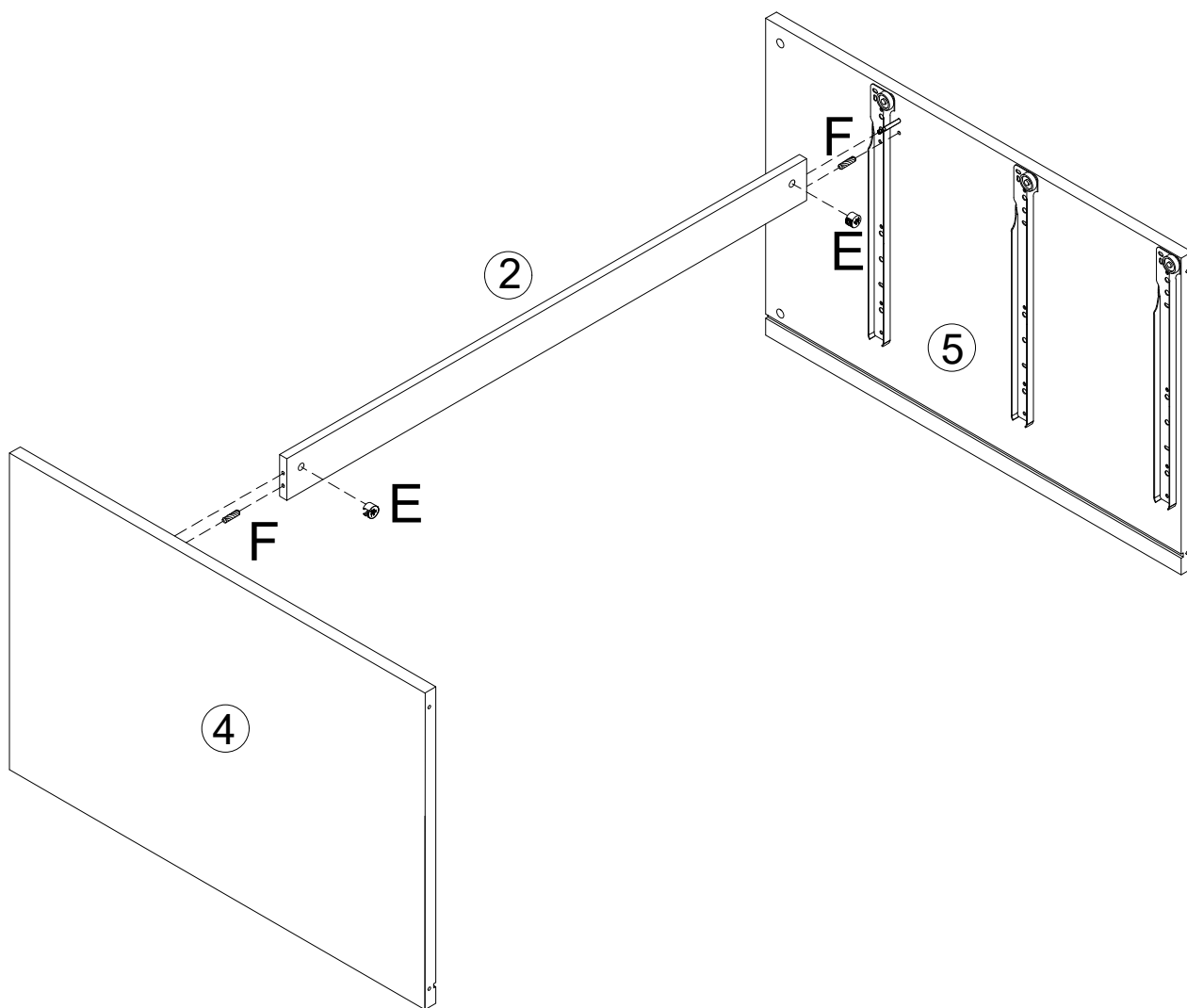
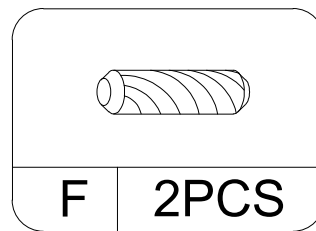
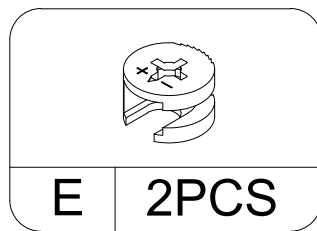
Step 1



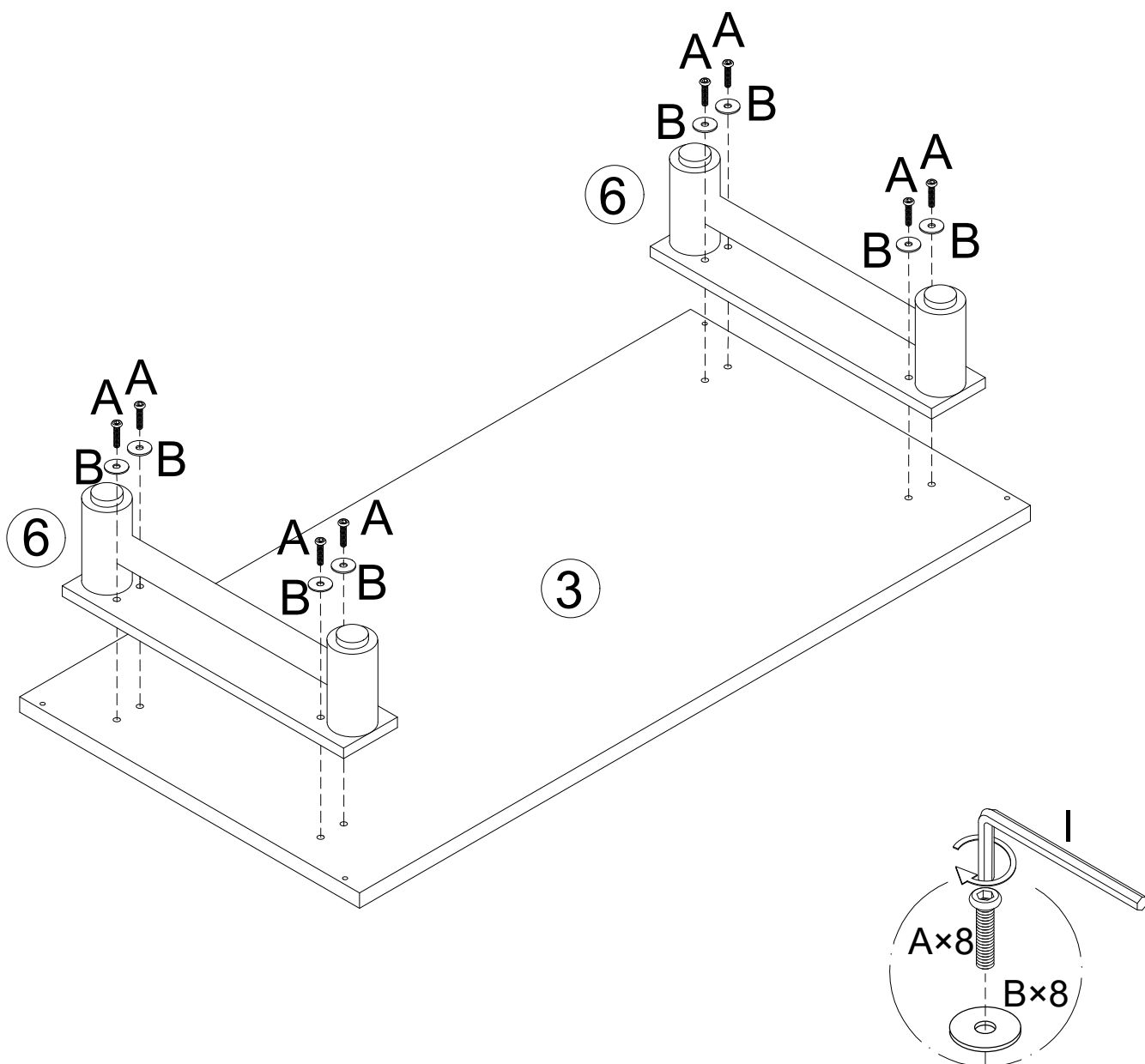
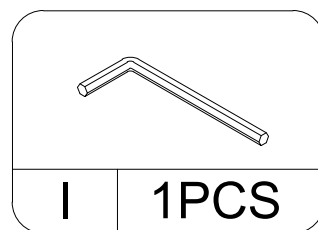
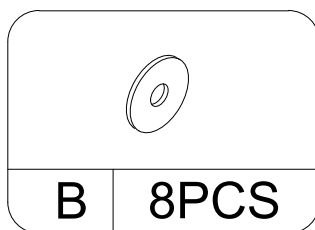
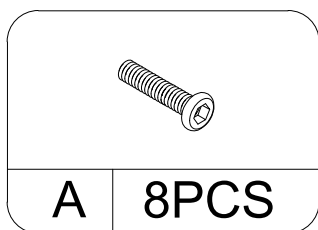
Step 2



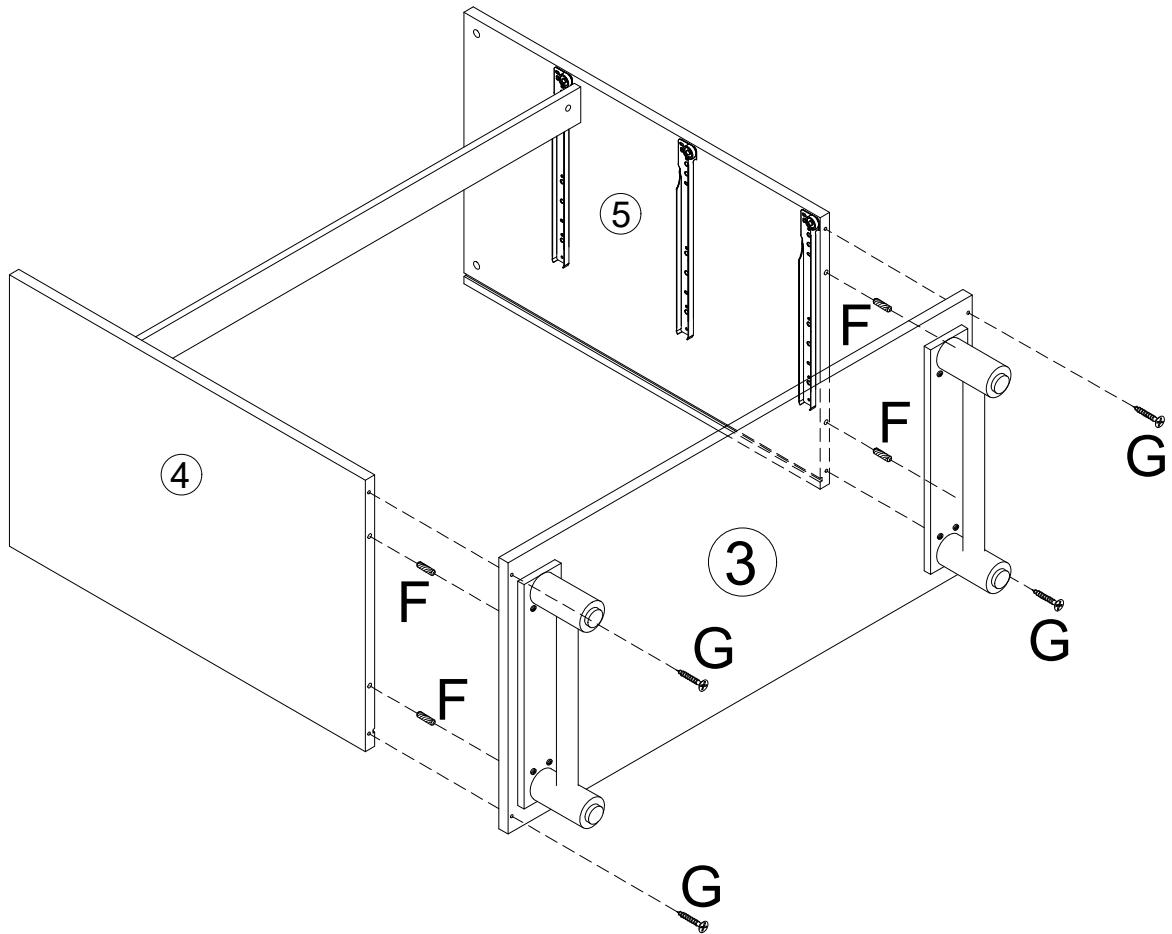
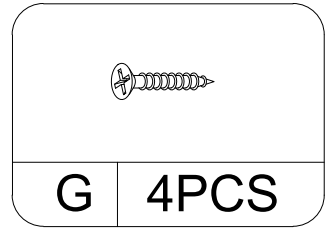
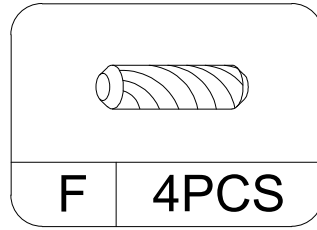
Step 3



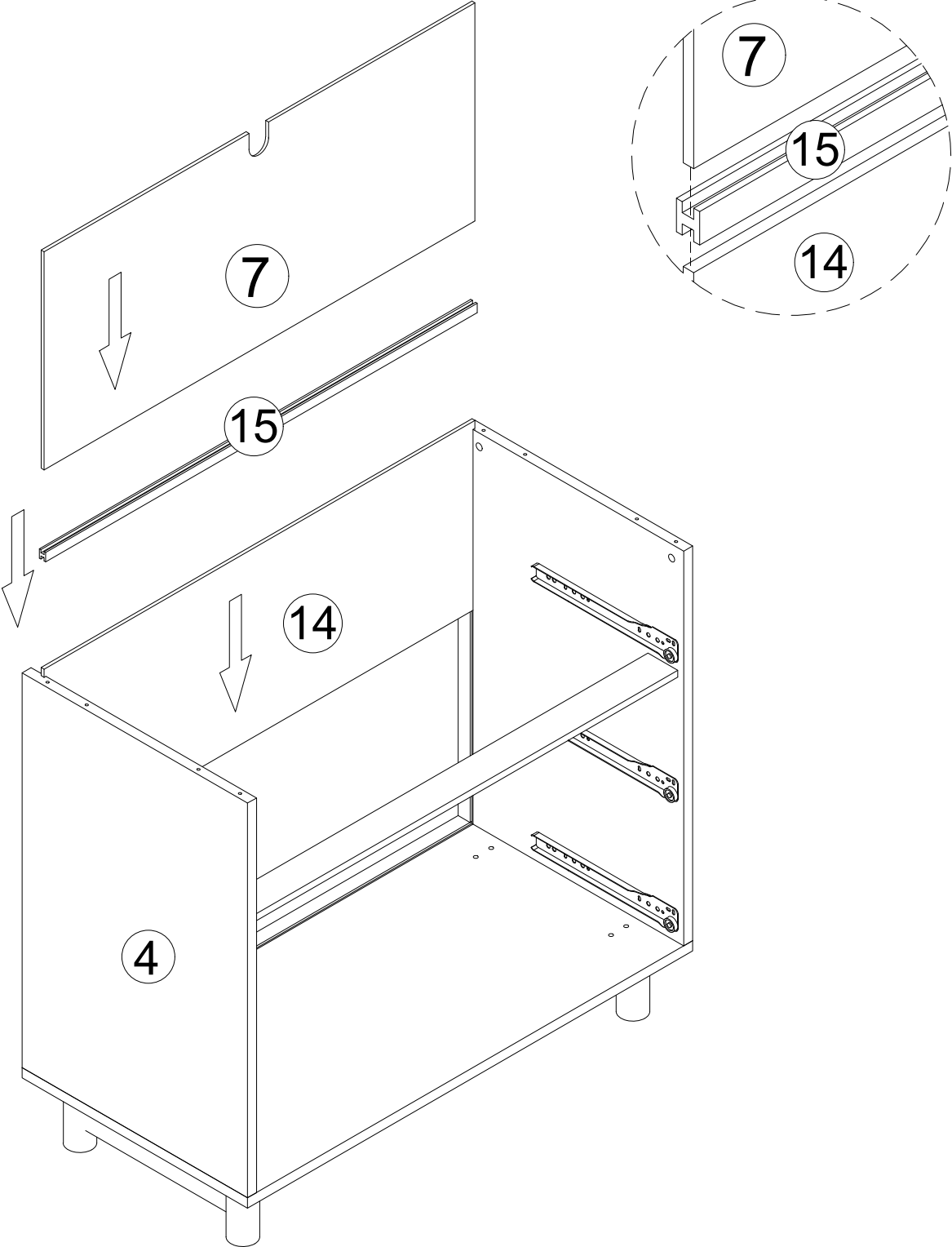
Step 4



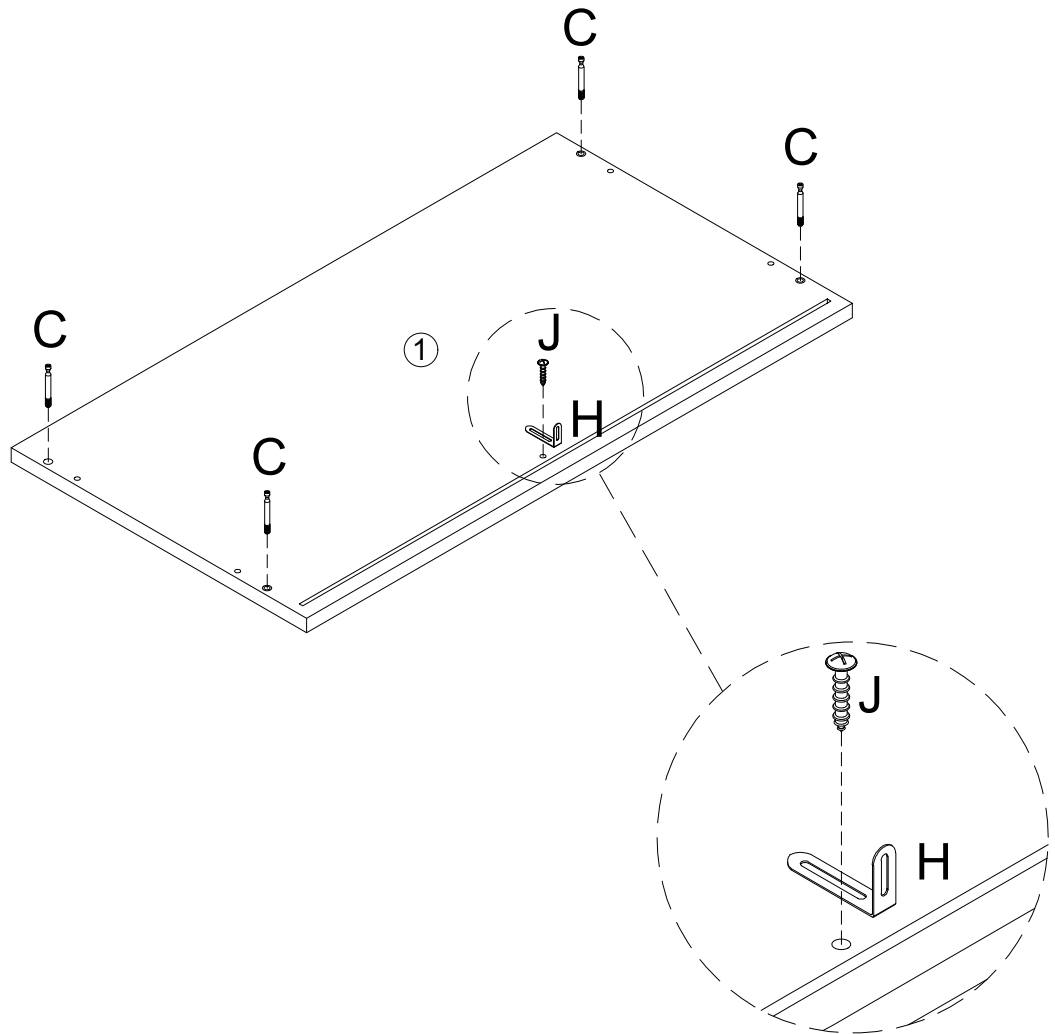
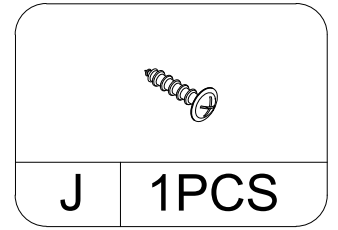
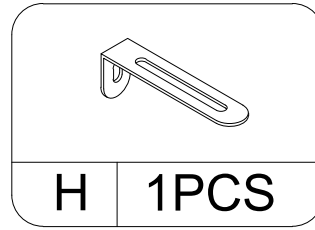
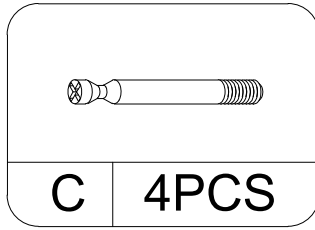
Step 5



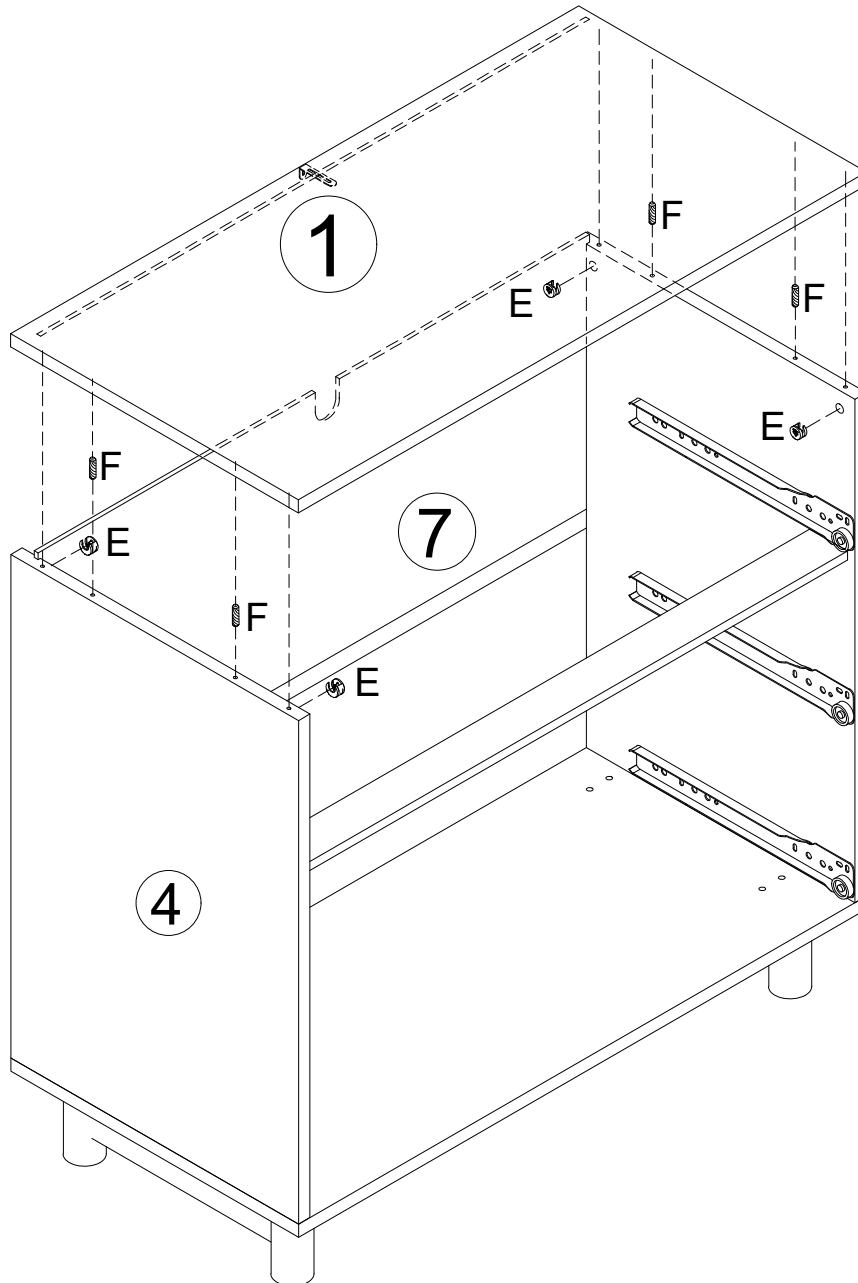
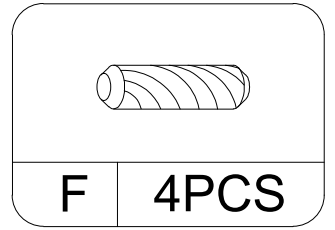
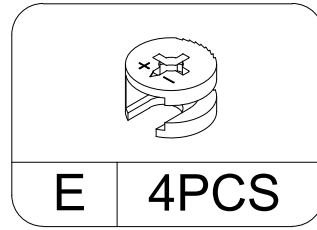
Step 6



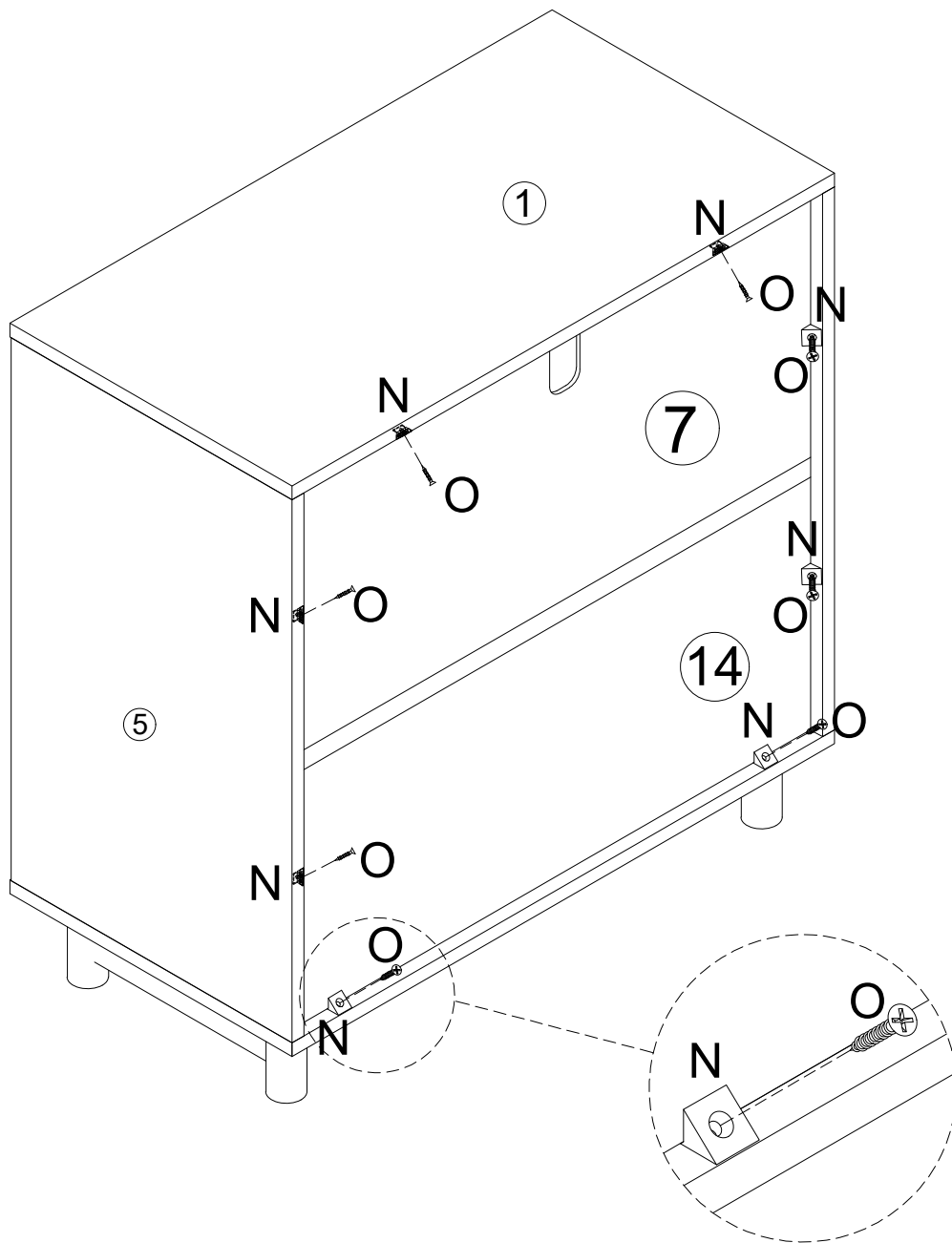
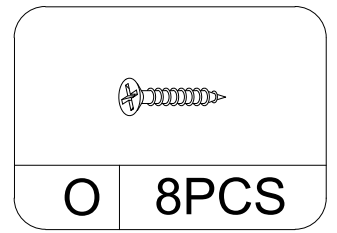
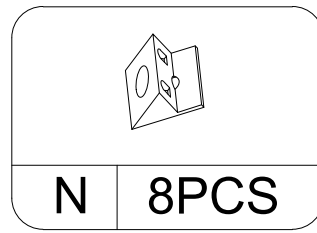
Step 7



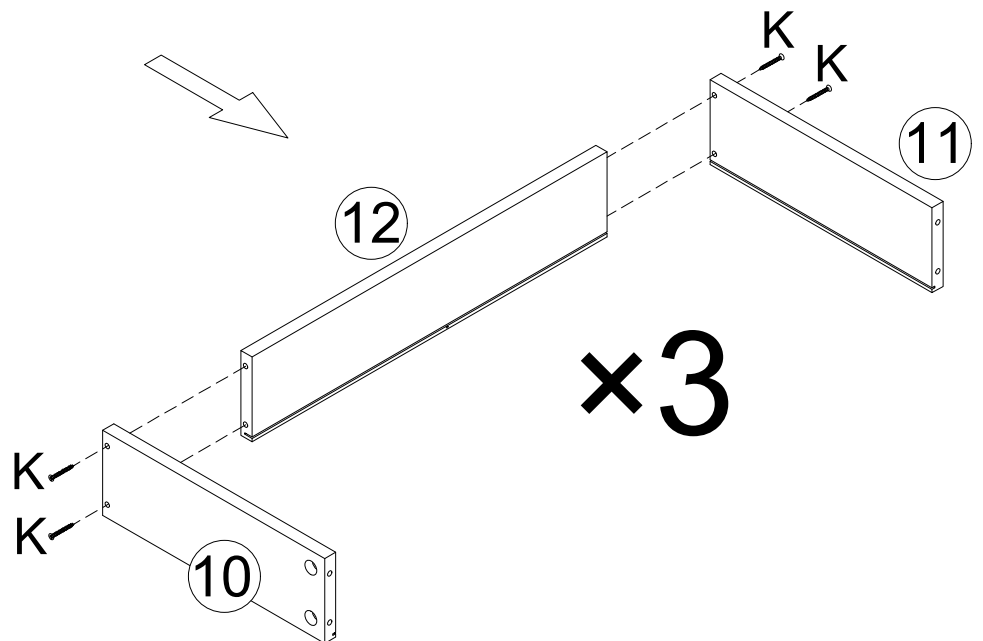
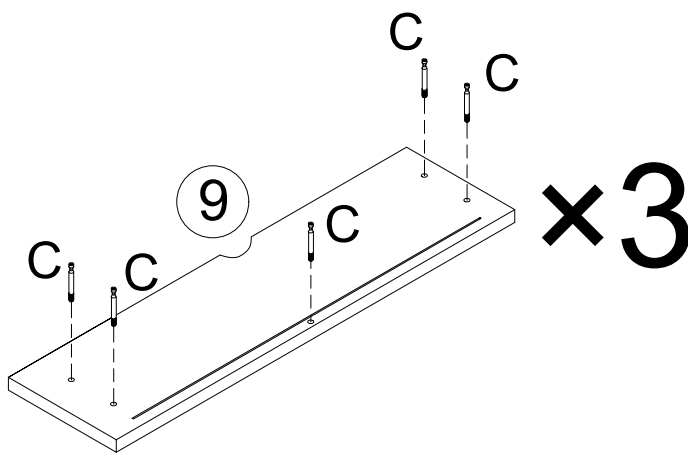
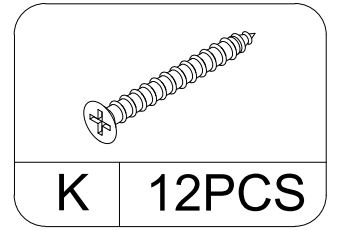
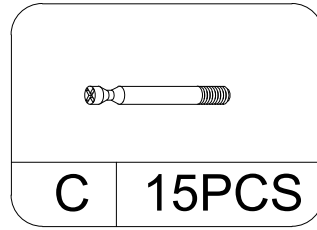
Step 8



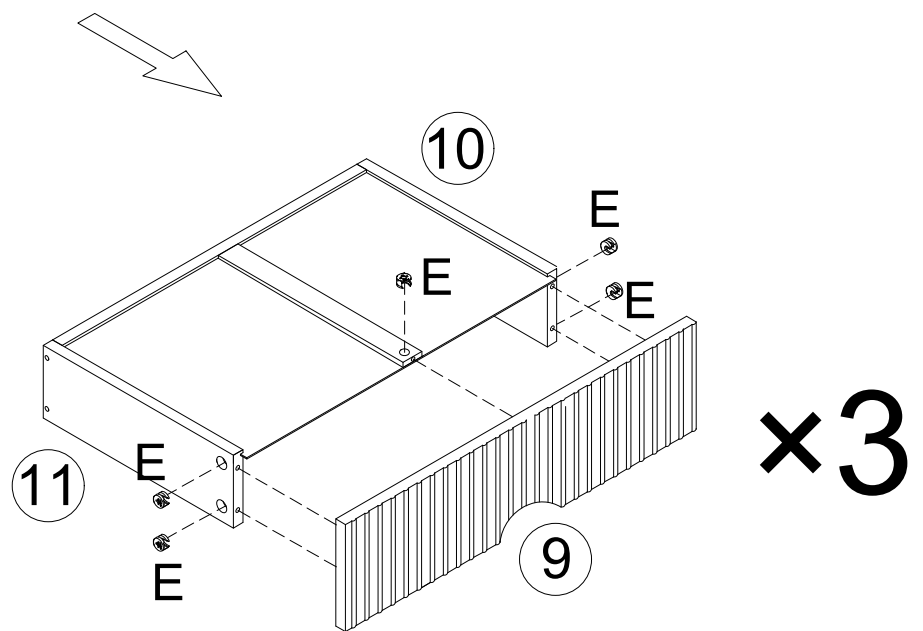
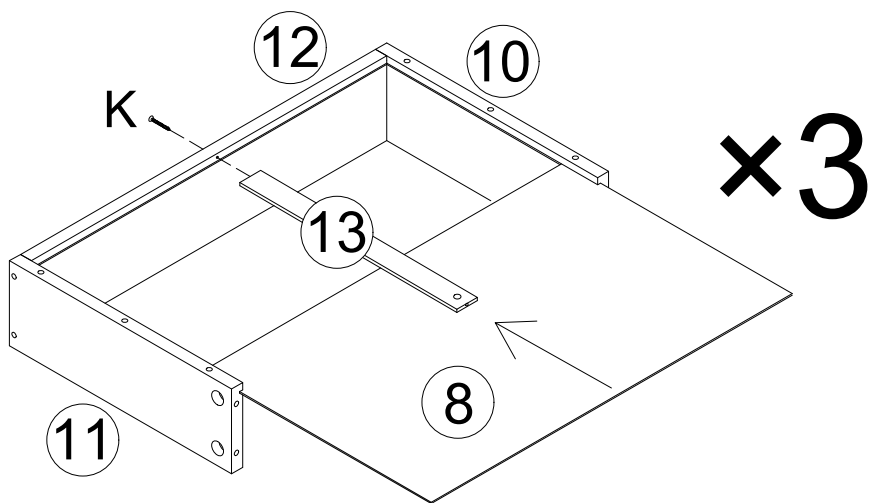
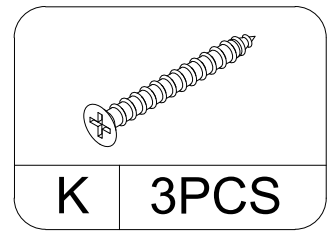
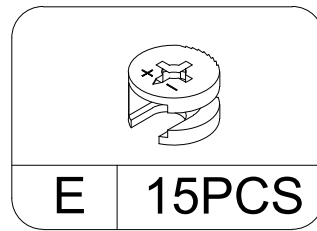
Step 9



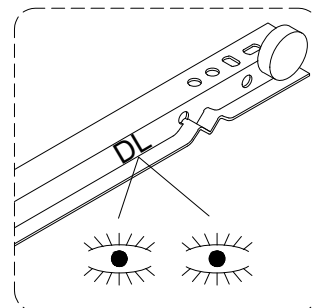
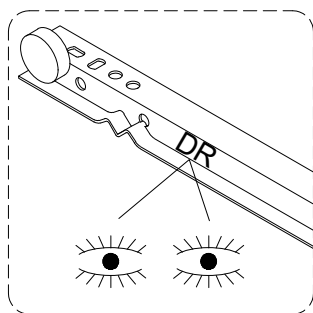
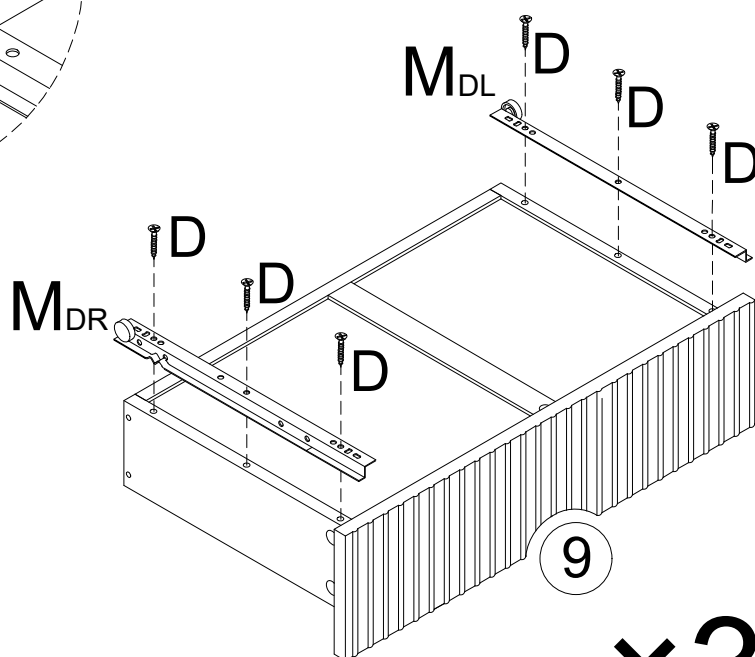
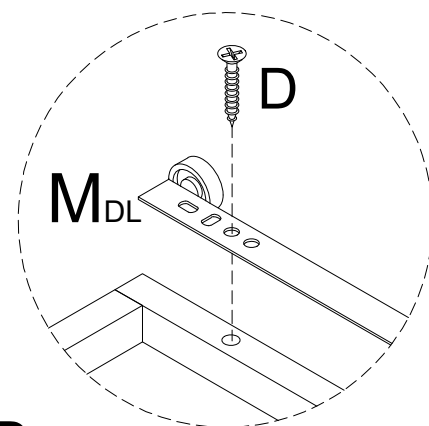
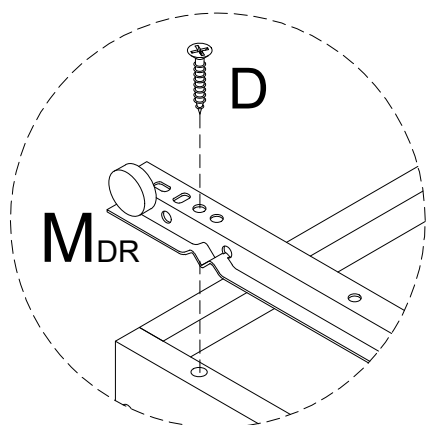
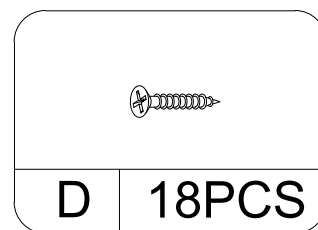
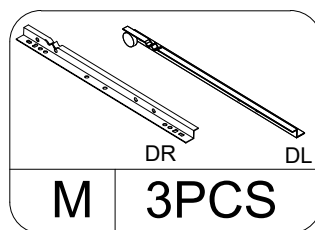
Step 10



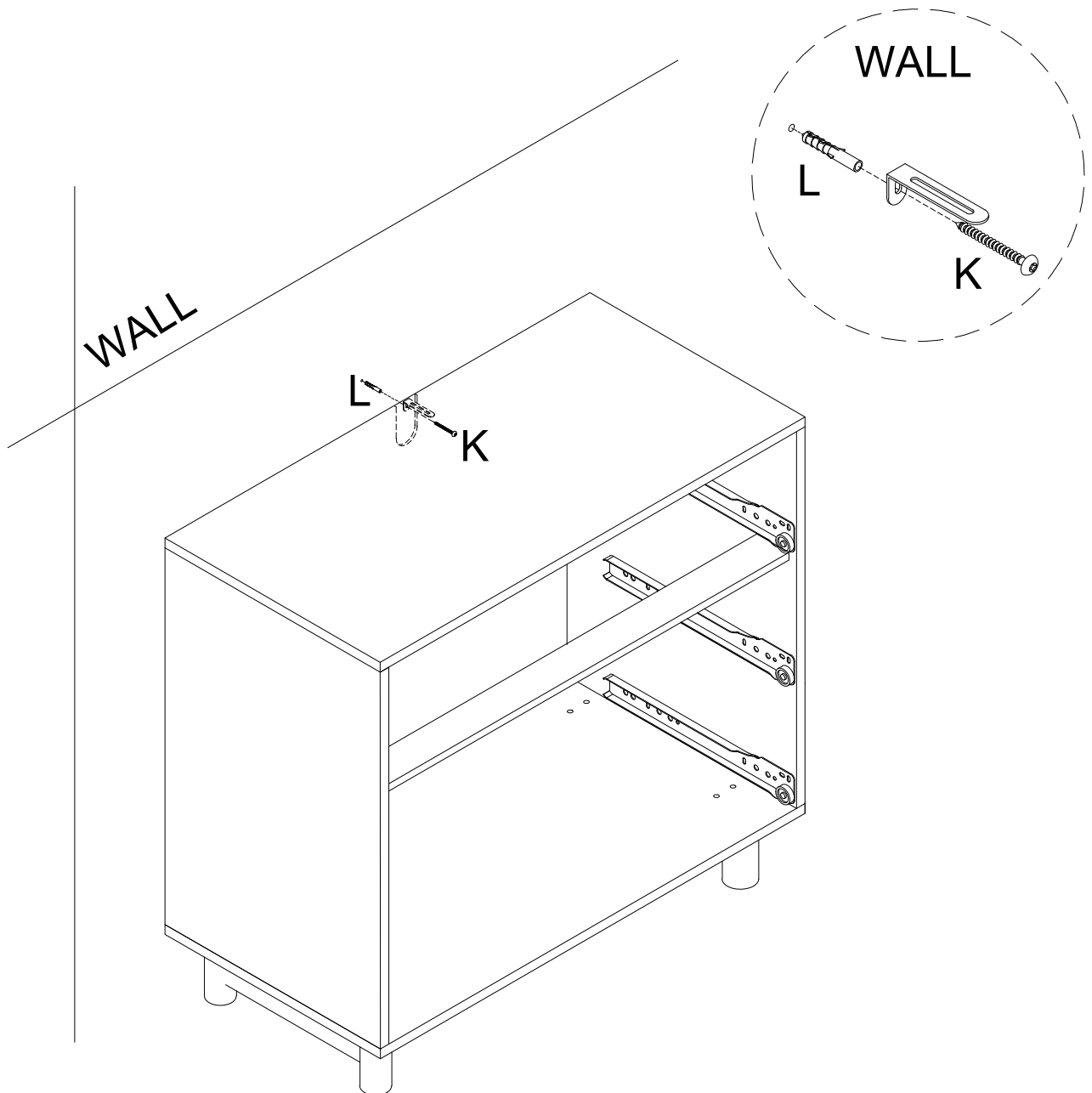
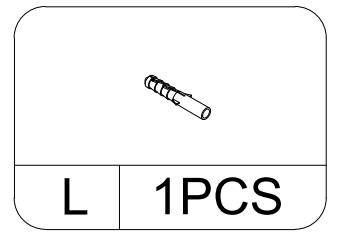
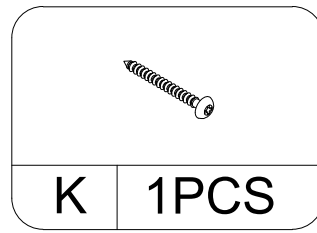
Step 11



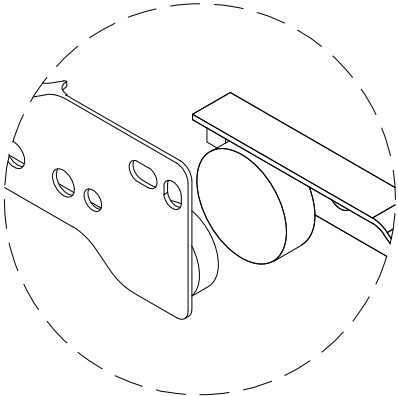
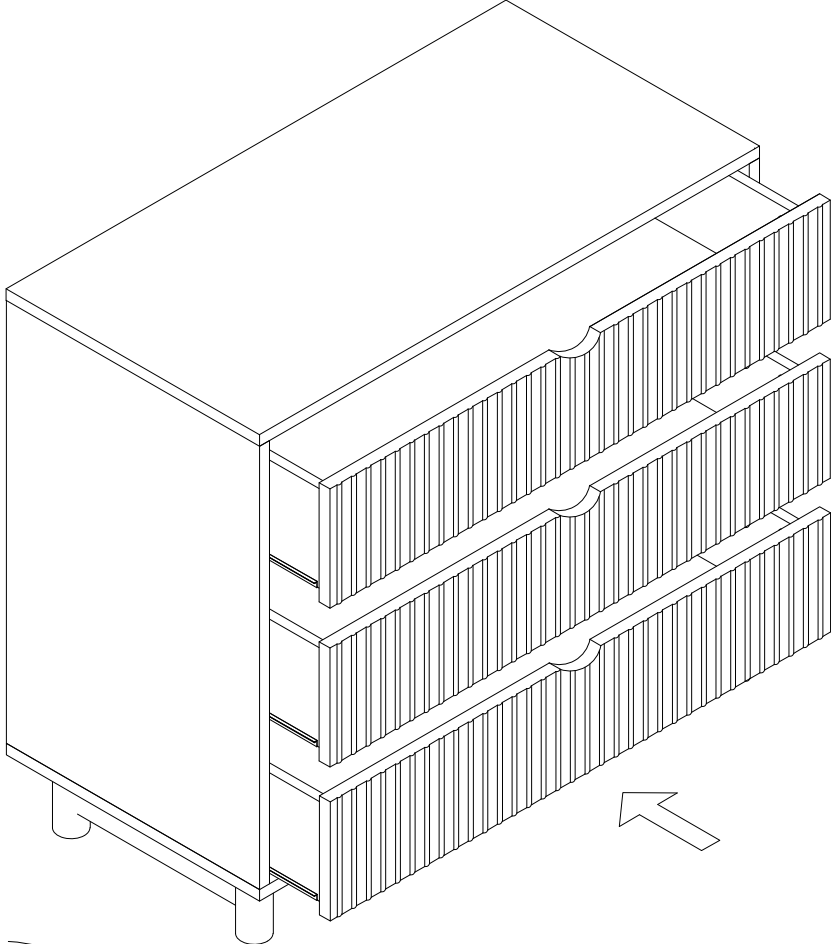
Step 12



Step 13



Step 13



Proper Use

- DO NOT** use for commercial purposes
- DO NOT** use as a step stool or stand on table
- DO NOT** put hot serving liquid directly on the table top
- DO NOT** leave spilled liquid on the table top
- DO NOT** use table if damaged
- DO NOT** exceed weight limit
- DO NOT** make temporary repairs
- DO NOT** use outdoor

Dear Customer :

Thank you for purchasing our product, we wish you satisfy our service, if you have any further questions or any quality issues, please show the below number and don't hesitate to contact our Customer Service People :

W688202310