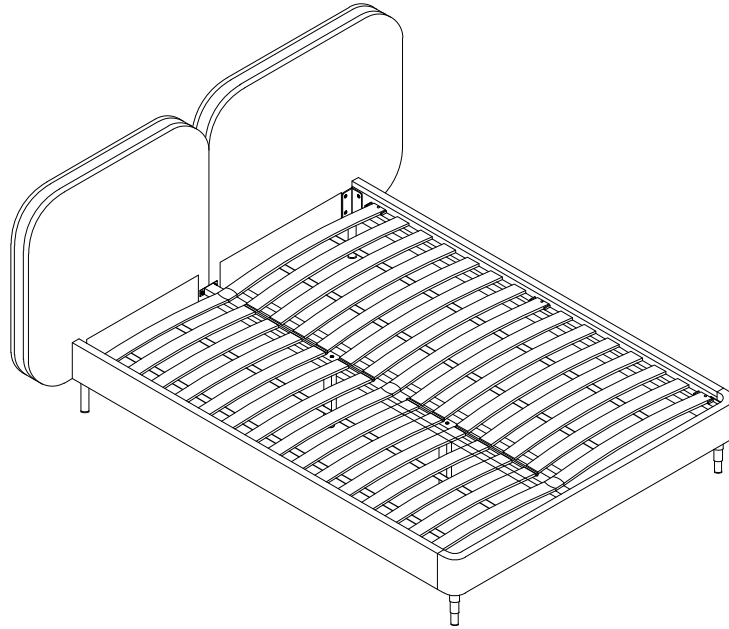


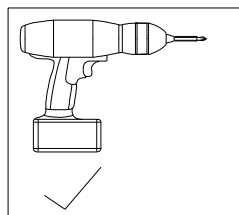
STANDARD BED



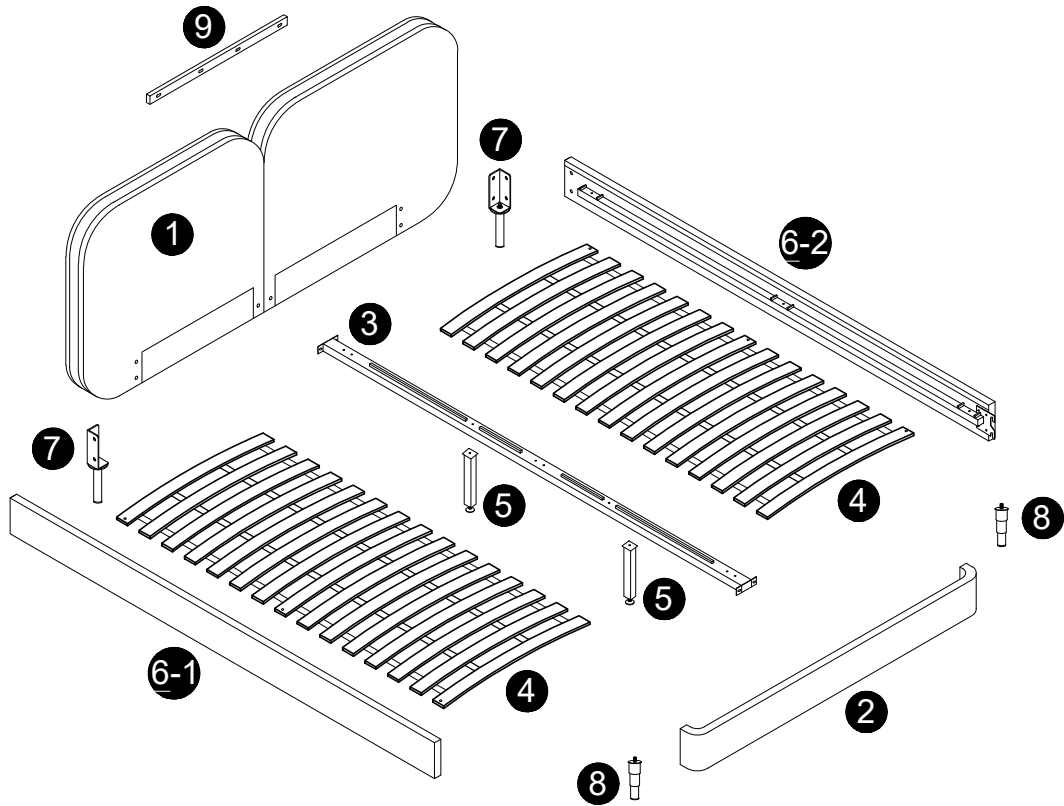
ITEM NUMBER:

IMPORTANT NOTE

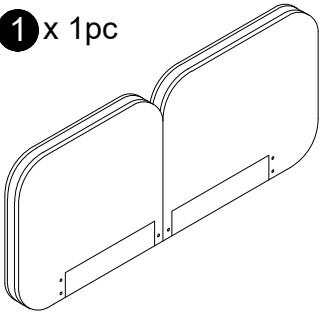
1. FOR THE PROTECTION OF YOUR FURNITURE, PLACE ALL PARTS ON A CLEAN AND SMOOTH SURFACE TO PREVENT ANY DAMAGE.
2. DO NOT USE POWER TOOLS TO ASSEMBLE THE BED.
3. PLEASE PERIODICALLY CHECK ALL FITTINGS AND RE-TIGHTEN AS NECESSARY.
4. DO NOT USE THE BED UNLESS ALL BOLTS AND SCREWS ARE FIRMLY SECURED.
5. NEED PARTS OR ASSISTANCE? EMAIL US AT
6. YOU CAN ASSEMBLE IT WITH OUR PACKAGING TOOLS OR WITH A.



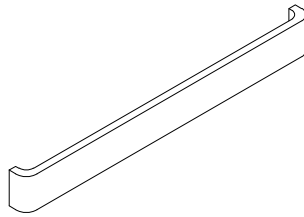
PART LIST



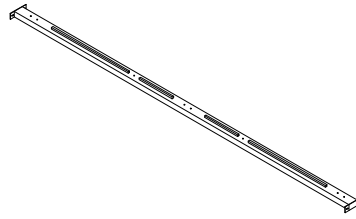
1 x 1pc



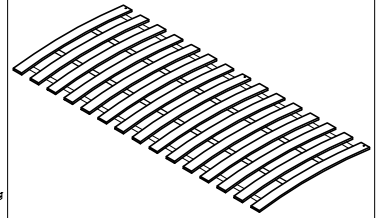
2 x 1pc



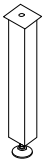
3 x 1pc



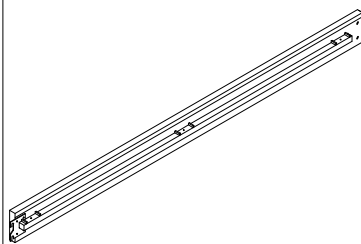
4 x 2pcs



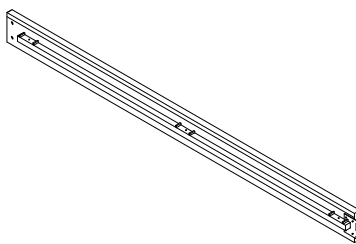
5 x 2pcs



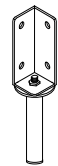
6-1 x 1pc



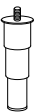
6-2 x 1pc



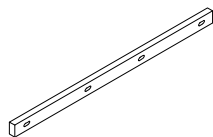
7 x 2pcs



8 x 2pcs



9 x 1pc



HARDWARE LIST



H1 M5 x 1pc



H2 M8x25mm x 16pcs



H3 x 6pcs



H4 M8x40mm x 6pcs



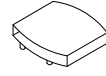
H5 M8 x 16pcs



H6 M8x17mm x 18pcs

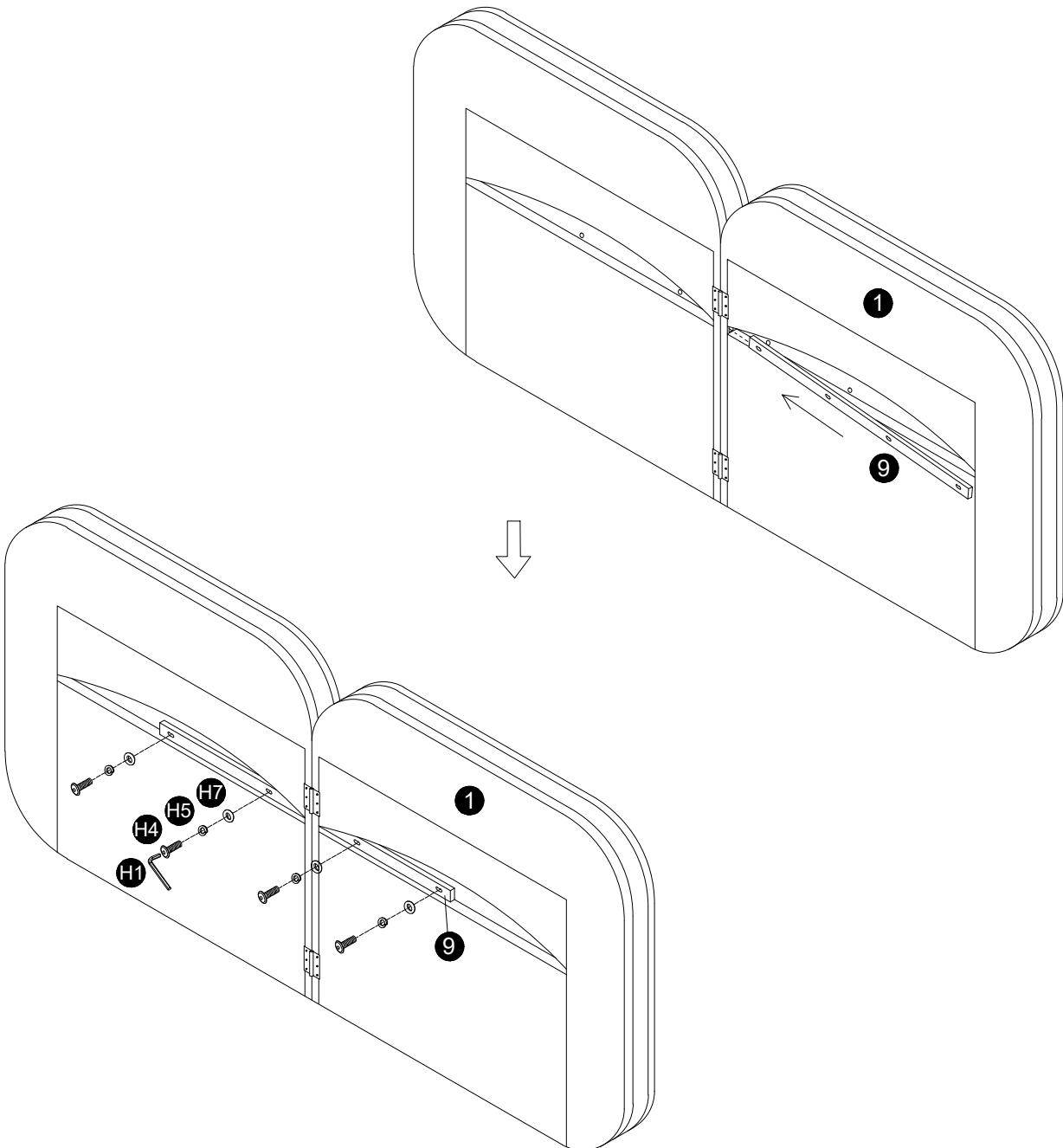


H7 M8x22mm x 4pcs

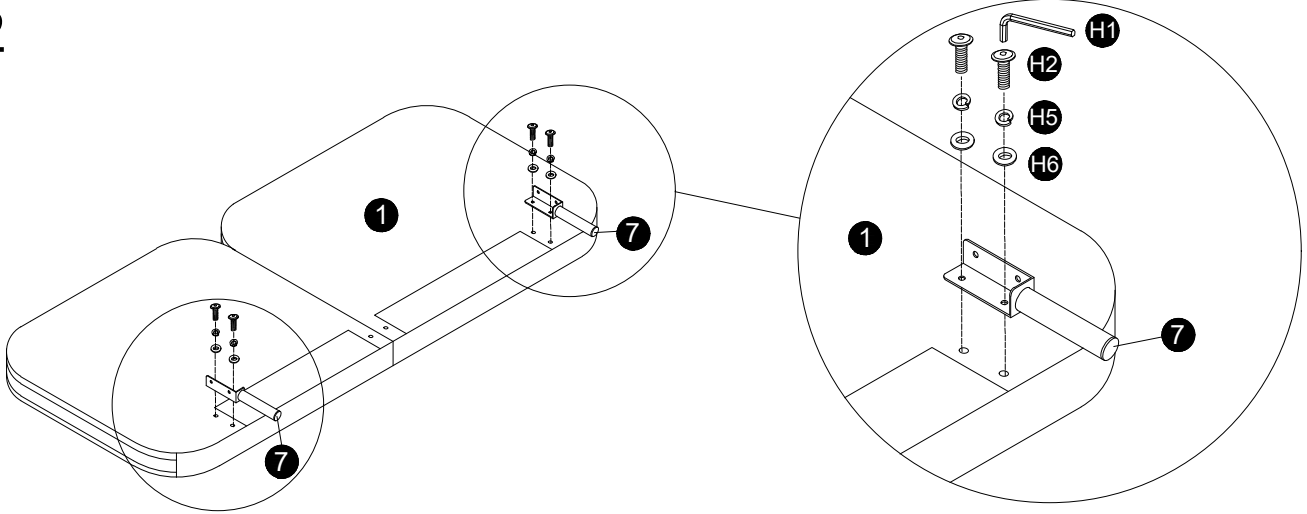


H8 x 3pcs

1

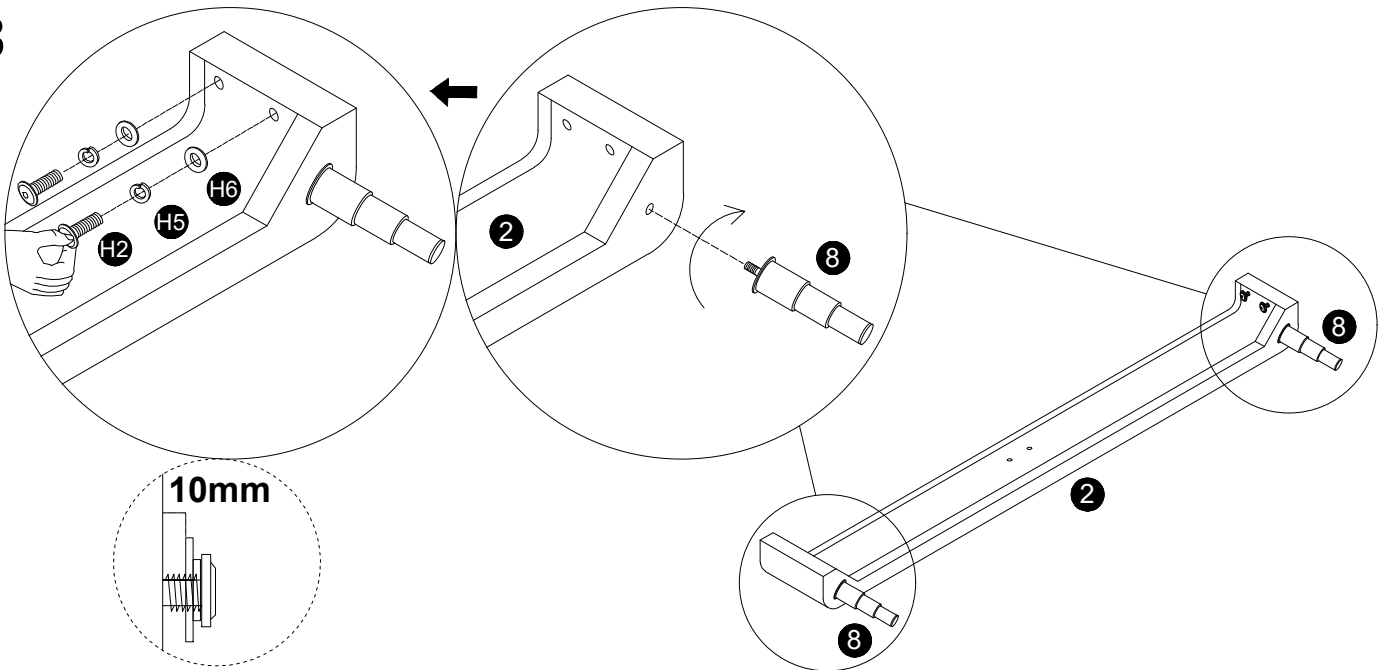


2

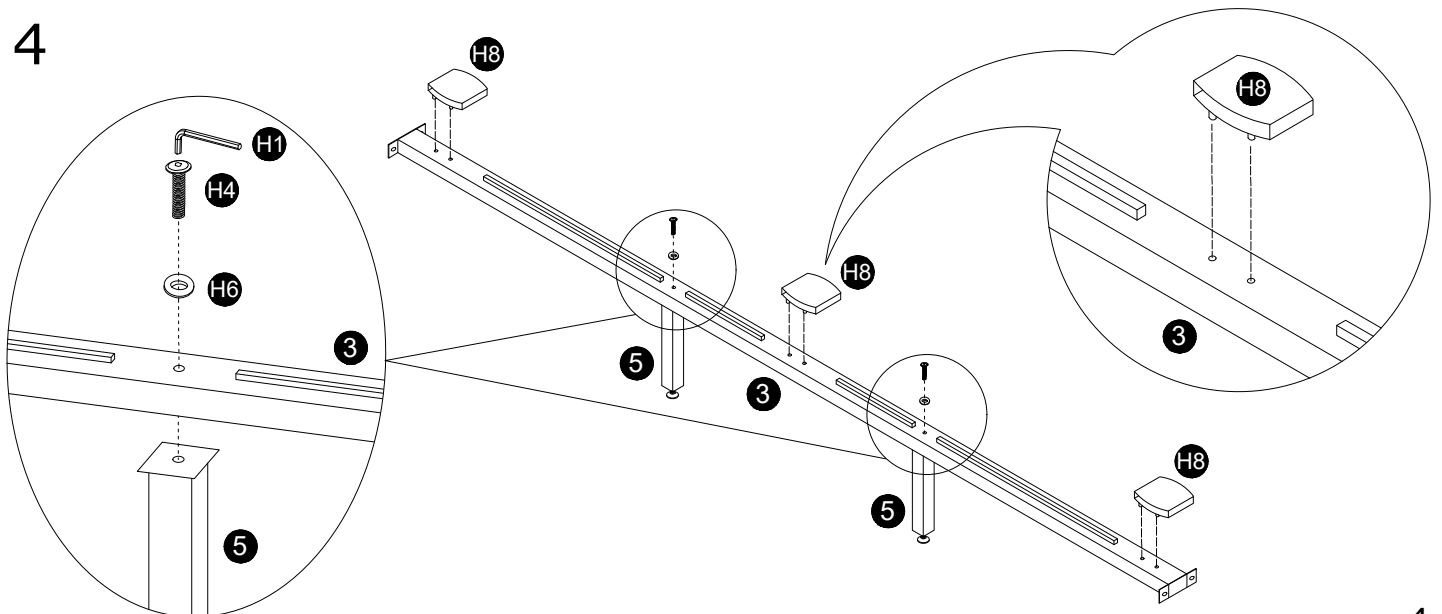


Do not fully tighten fixings!

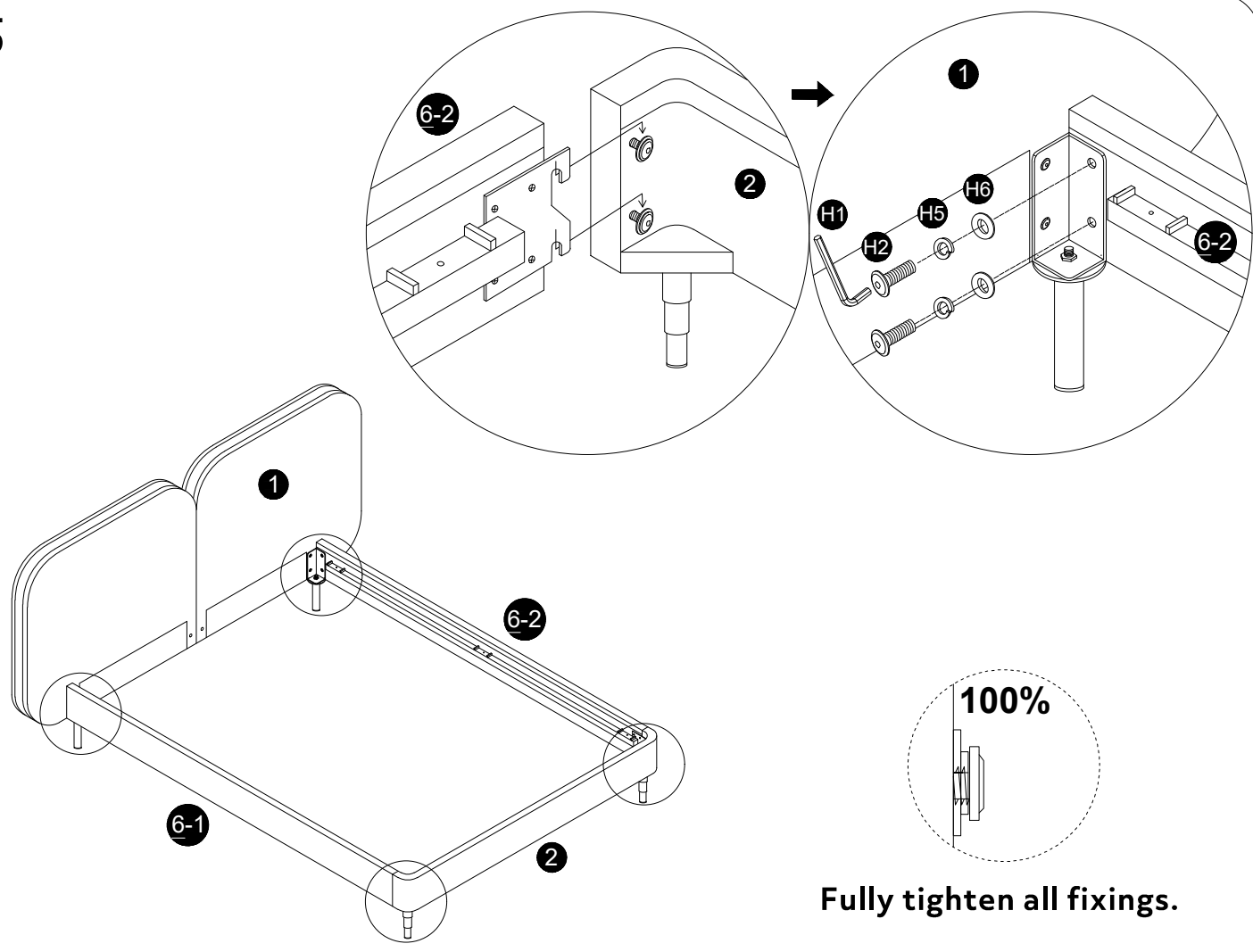
3



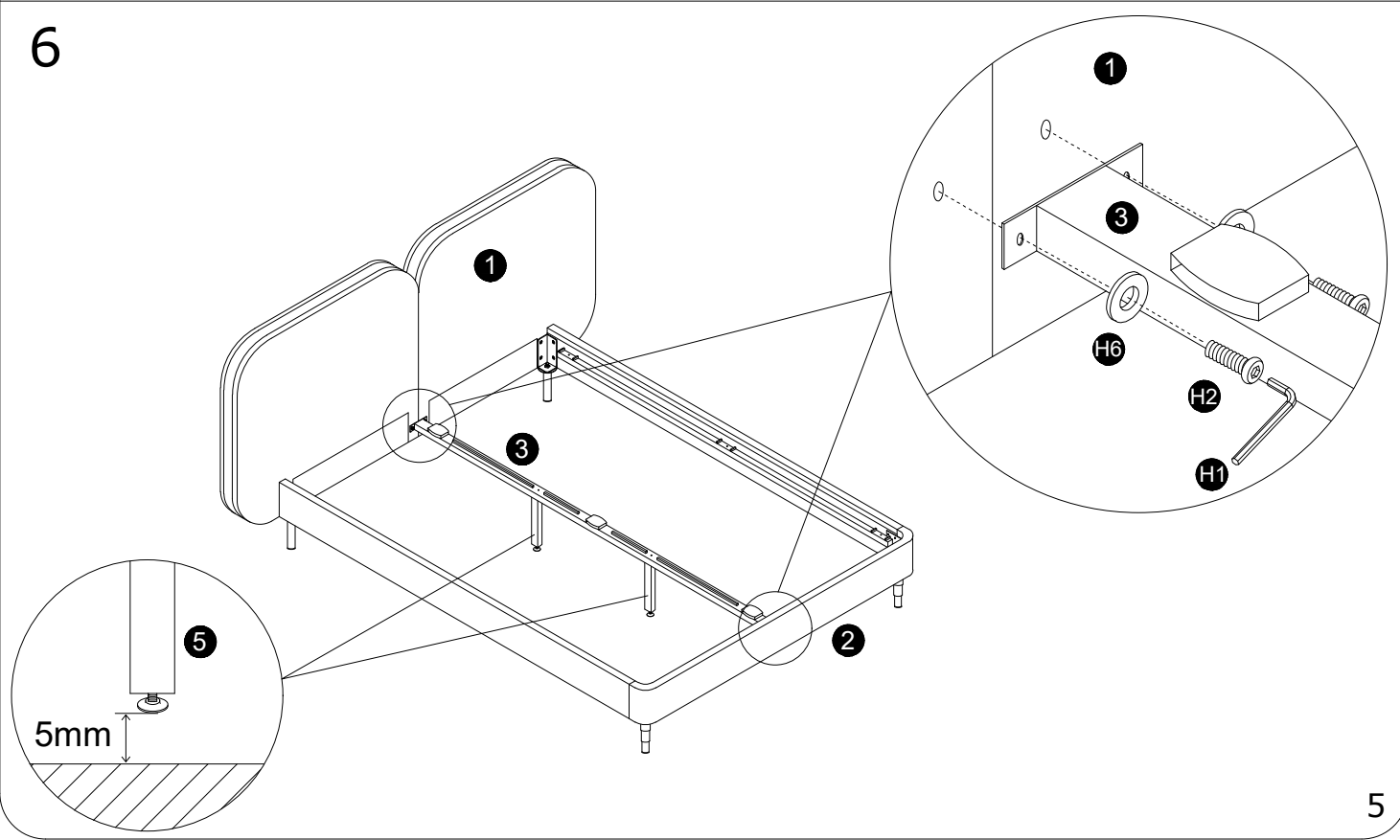
4



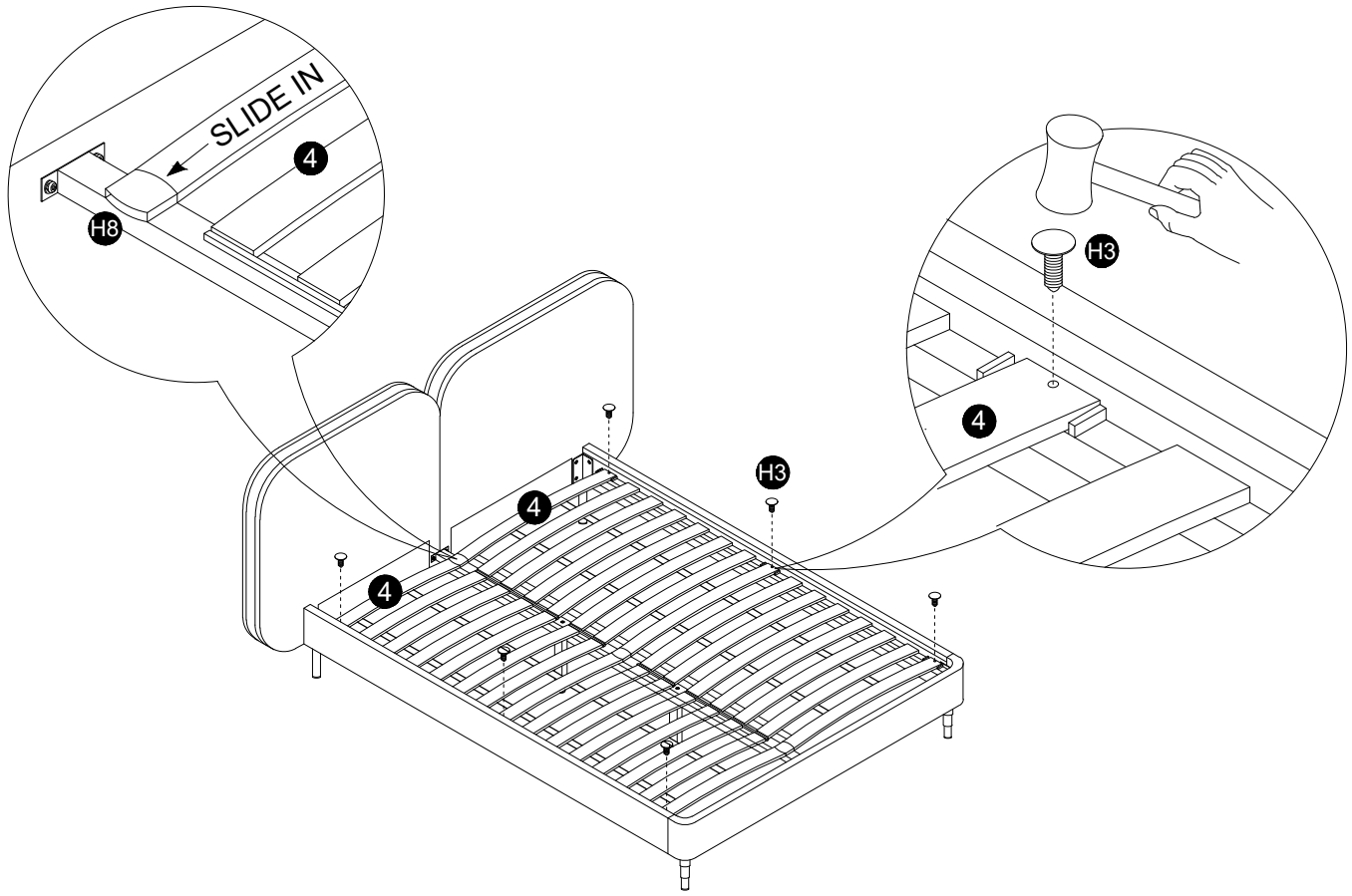
5



6



7



Job Complete !

In the interest of our environment please dispose of all packaging thoughtfully.