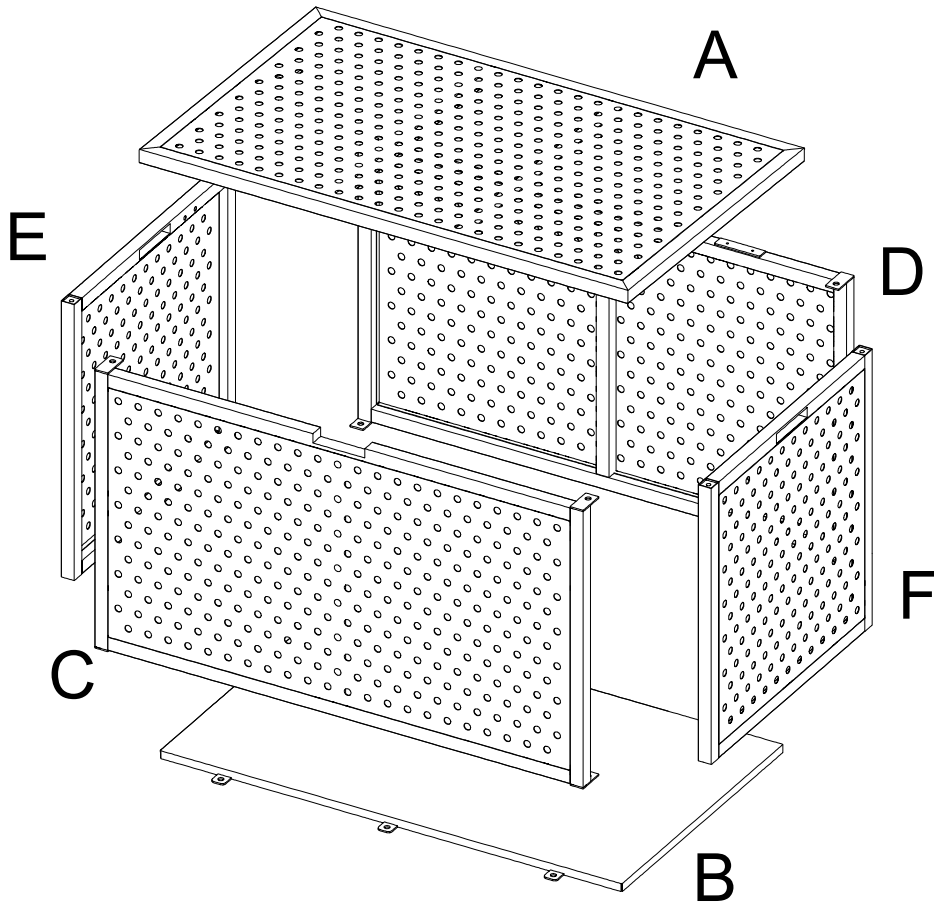
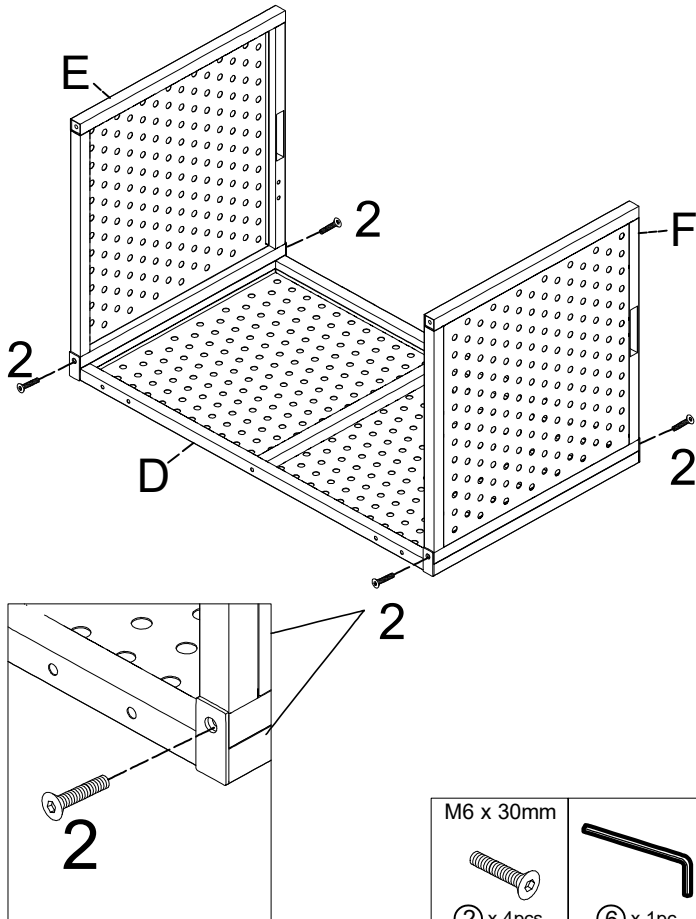


Heavy Duty Metal Frame and Metal Sheet Trunk in White
 DO NOT FULLY TIGHTEN THE BOLTS UNTIL ALL PIECES ARE ASSEMBLED

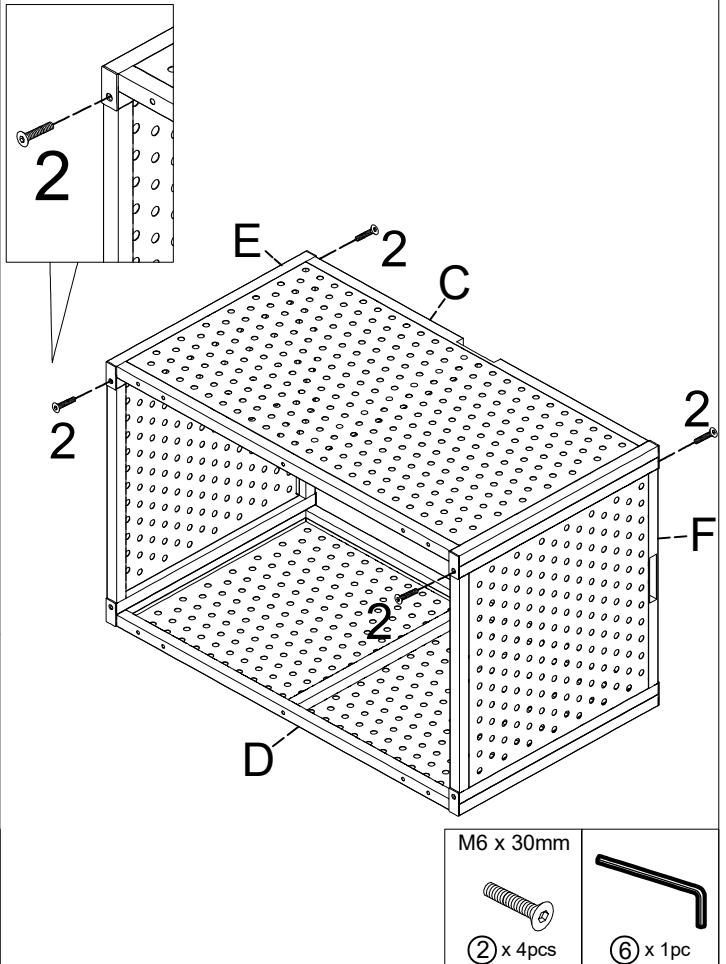


<p>TOP PANEL</p> <p>A x 1pc</p>		<p>BOTTOM PANEL</p> <p>B x 1pc</p>		<p>FRONT PANEL</p> <p>C x 1pc</p>	
<p>BACK PANEL</p> <p>D x 1pc</p>	<p>LEFT PANEL</p> <p>E x 1pc</p>	<p>RIGHT PANEL</p> <p>F x 1pc</p>	<p>M6 x 10mm BOLT</p> <p>①</p> <p>6+1 SPARE</p>	<p>M6 x 30mm BOLT</p> <p>②</p> <p>8+1 SPARE</p>	
<p>M4 x 10mm BOLT</p> <p>③</p> <p>10+1 SPARE</p>	<p>LEVELERS</p> <p>④</p> <p>4+1 SPARE</p>	<p>CONNECTING HARDWARE</p> <p>⑤</p> <p>1pc</p>	<p>WRENCH</p> <p>⑥</p> <p>1pc</p>	<p>STOPPER</p> <p>⑦</p> <p>2+1 SPARE</p>	<p>SCREWDRIVER</p> <p>⑧</p> <p>1pc</p>

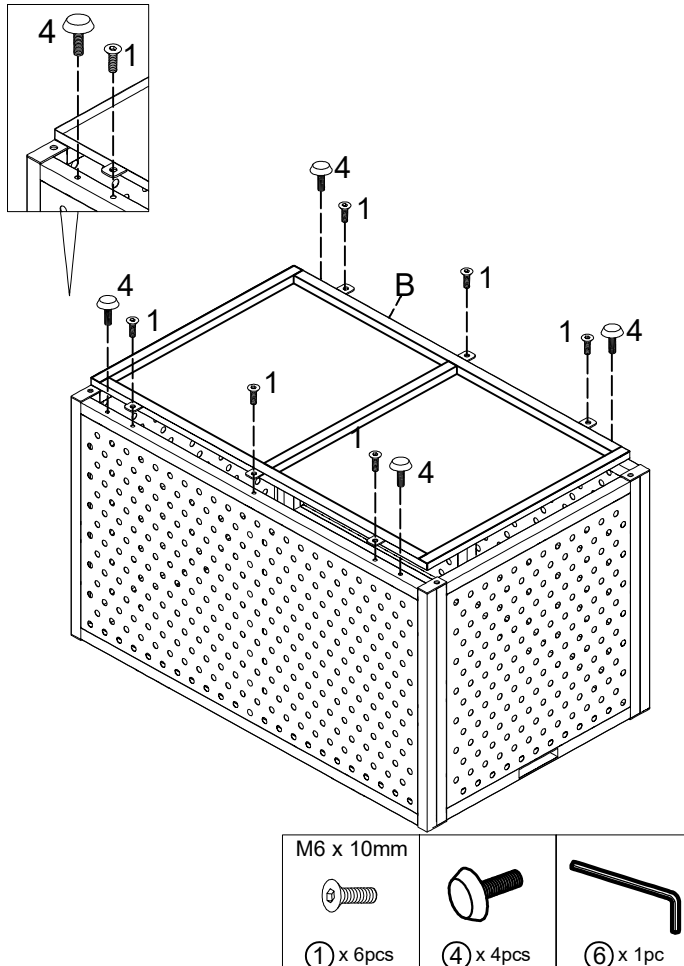
STEP 1:



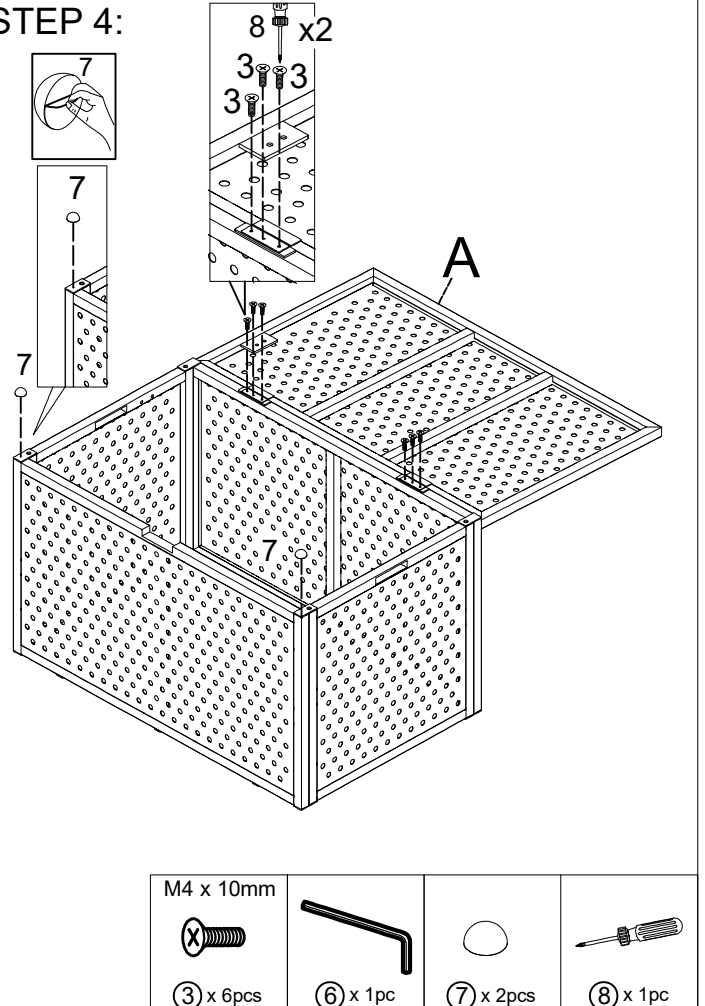
STEP 2:



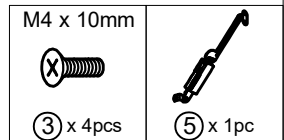
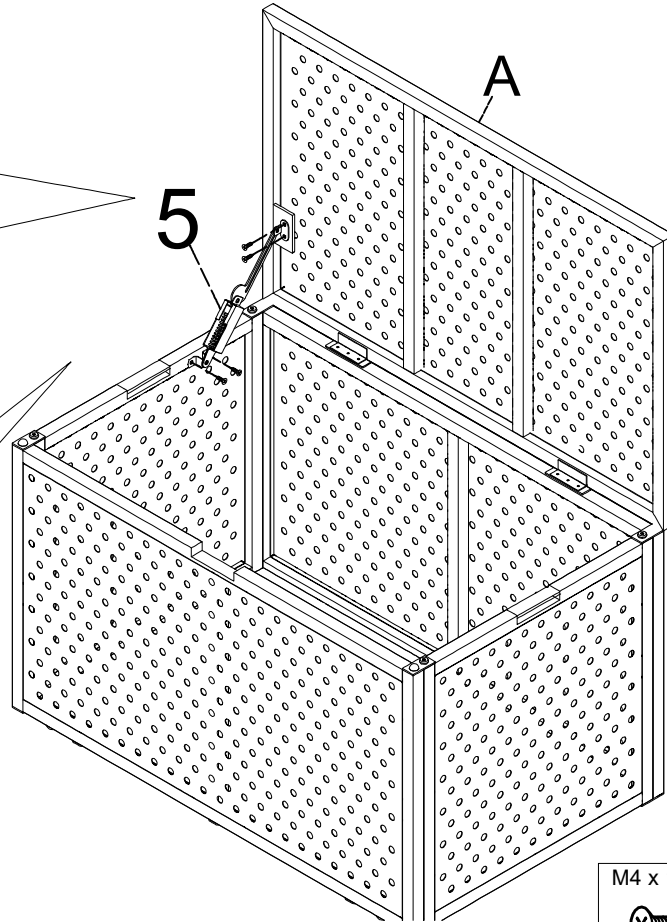
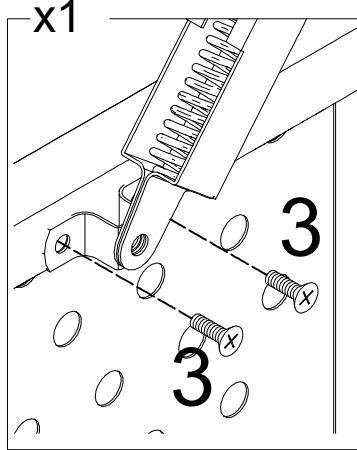
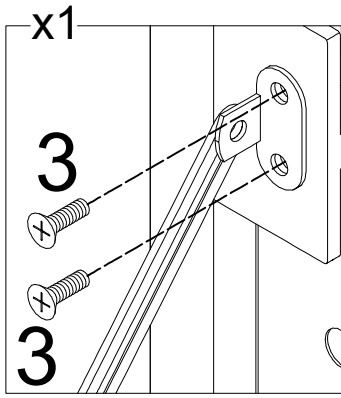
STEP 3:



STEP 4:

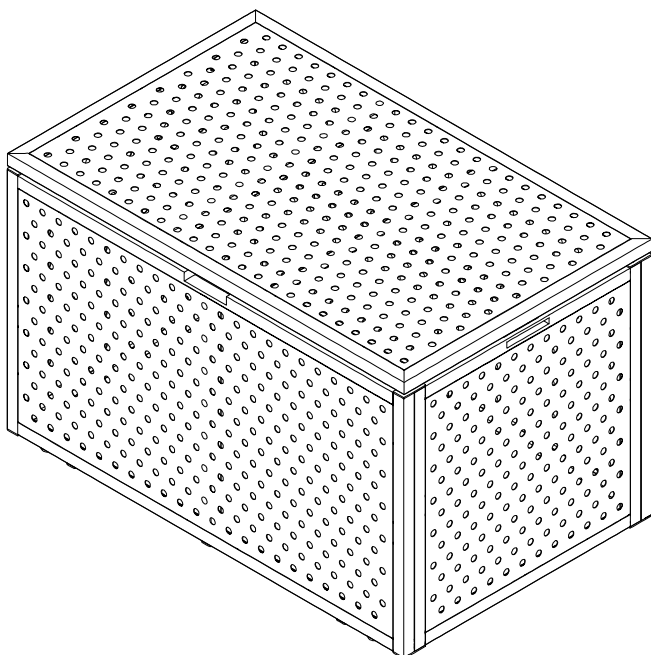


STEP 5:



STEP 6

OK



IMPORTANT NOTE:

- ...PLACE ALL PARTS ON A CLEAN AND SMOOTH SURFACE SUCH AS A RUG OR CARPET TO AVOID SCRATCHING THE PARTS.
- ...DO NOT STAND OR CLIMB ON THE TRUNK.
- ...DO NOT FULLY TIGHTEN THE BOLTS UNTIL ALL PIECES ARE ASSEMBLED.
- ...USE OF POWER TOOLS IS NOT RECOMMENDED.
- ...NOT FOR COMMERCIAL USE.
- ...USE A SOFT, CLEAN CLOTH THAT WILL NOT SCRATCH WHEN DUSTING.