

# ASSEMBLY INSTRUCTION

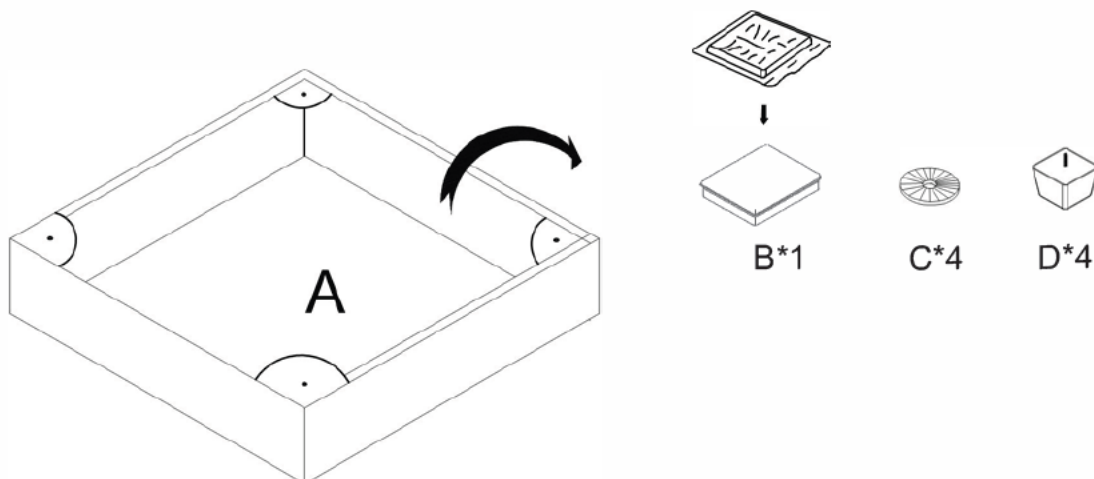
## Ottoman



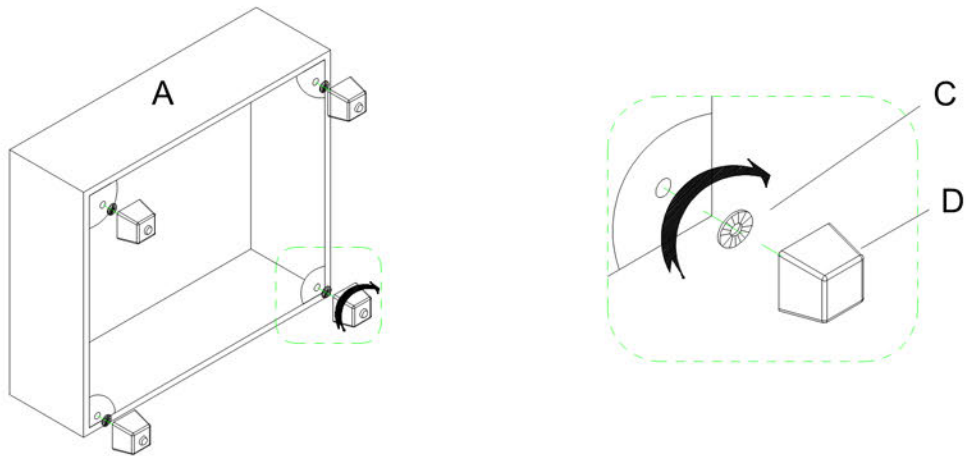
**NOTE:** Do not use power tools for assembly. Power tools increase the risk of over tightening which lead to splitting or cracking the wood.

### Ottoman COMPONENT LIST

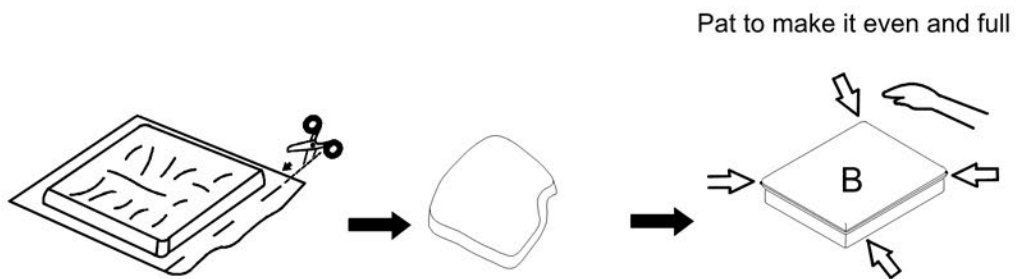
NO	DRAWING	QTY	DESCRIPTION
A		1	SEAT
B		1	SEAT CUSHION
C		4	PLASTIC WASHER(Φ45*3mm)
D		4	PLASTIC LEG



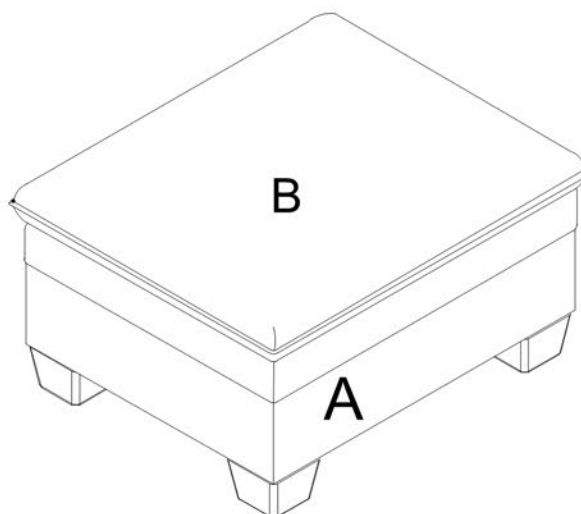
## Step 1

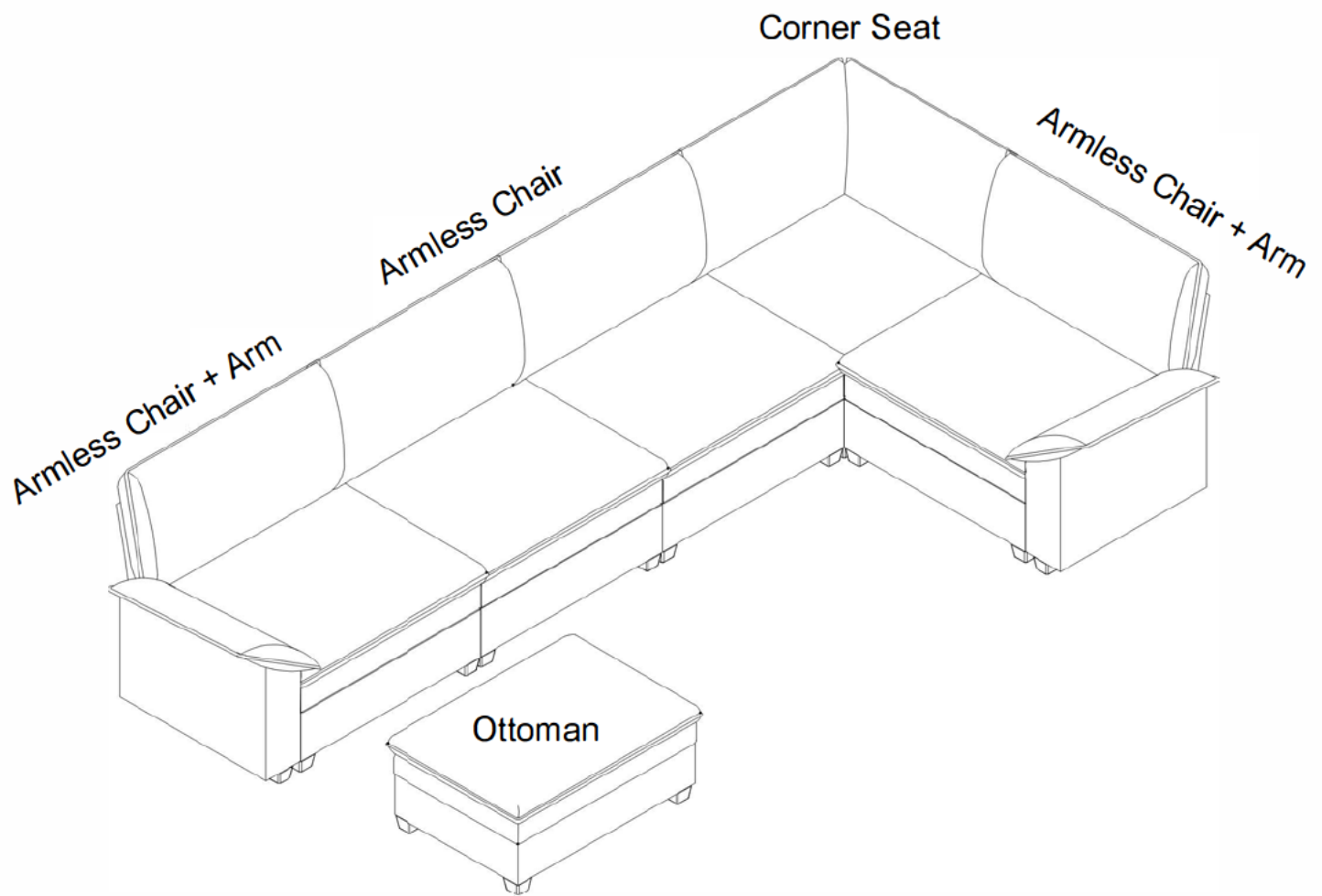


## Step 2



## Step 3





### **Care Instruction for Chenille Furniture:**

**In order to maintain the original appearance of your Chenille furniture, please follow below simple care procedures:**

**Avoid exposing furniture directly to sunlight or heating and air conditioning outlets. Sunlight and or exposure to heating and air conditioning outlets will fade/damage Chenille.**

**Vacuum or wipe with a soft cloth to remove dust.**

**Hardware may loosen over time. Periodically check to make sure all connection are tight, Re-tighten if necessary.**

**For item use on wooden floor, hard surfaces or carpets, it is recommended to install protective pads under all legs and supports to avoid/prevent from damages/scratches and discoloration.**