

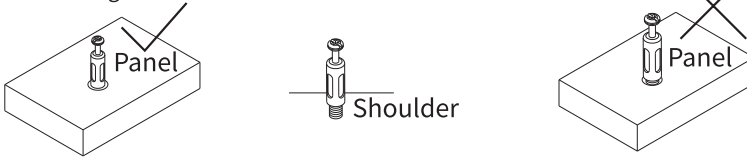
Your order will be shipped in multiple packages, and delivery times may vary.
We appreciate your patience and understanding.

- ▲ Warning: Please read instructions fully before starting assembly. Check you have all the components and tools listed on pages.
- ▲ Warning: Please place all parts on a flat surface. Place a soft blanket or similar underneath to protect against scratches or stains. Avoid dragging or sliding components across the floor.
- ▲ Warning: Regularly check all fittings and fastenings to ensure they are secure and to prevent accidents. If any parts are missing, broken, damaged, or worn, discontinue use of the product until repairs have been made using factory authorized parts.
- ▲ Warning: Do not allow children to climb on the furniture as this may result in tipping and serious personal injury. Assemble the furniture away from the reach of children.
- ▲ Warning: Do not place furniture close to fire sources or high-temperature objects to avoid the risk of fire.
- ▲ Warning: Clean furniture with a damp cloth or alcohol, avoid using cleaning agents containing corrosive chemicals.

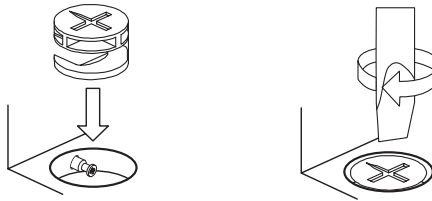
Use the Cam Lock and Eccentric Wheel

ECCENTRIC WHEEL

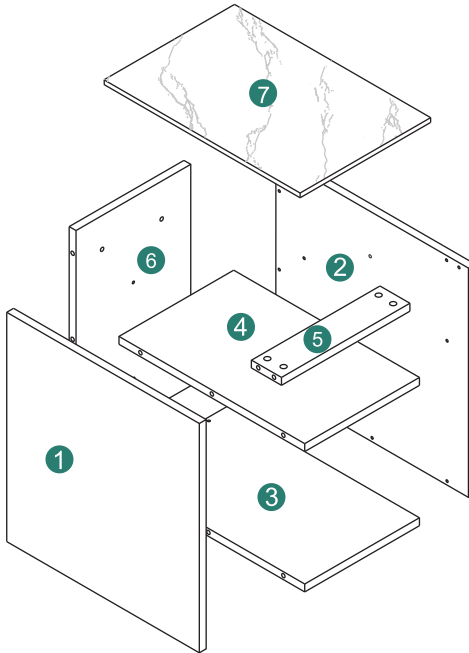
Tighten the bolt until the shoulder is aligned with the panel.
Be sure not to tighten too much or too little.



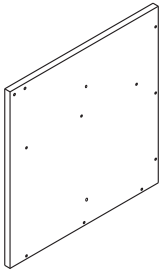
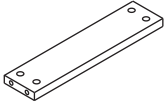
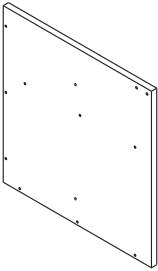
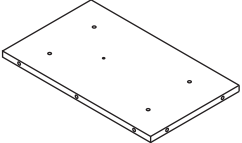
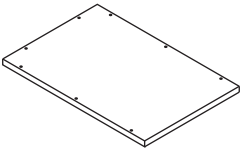
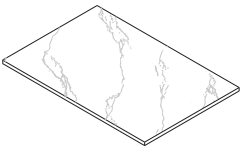
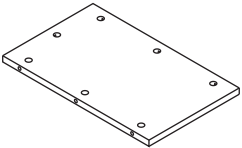
The pre-inserted nut should align with the center of the cam lock when joining two panels. The cam lock should be inserted before the eccentric wheel.





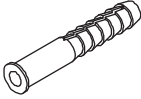
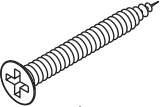

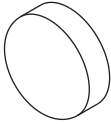


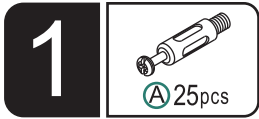
Turn the cam lock clockwise to tighten.



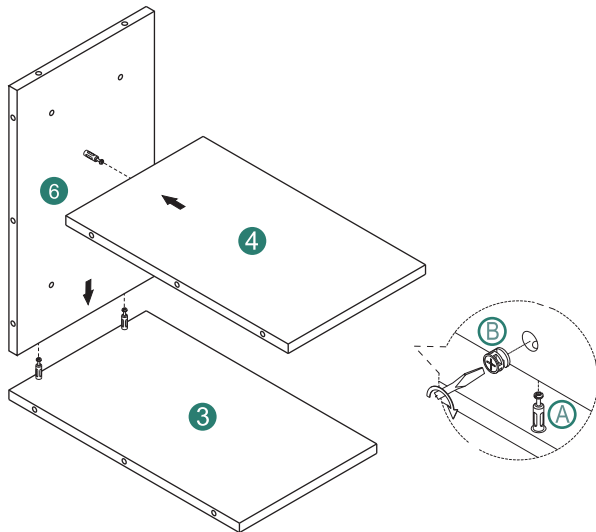
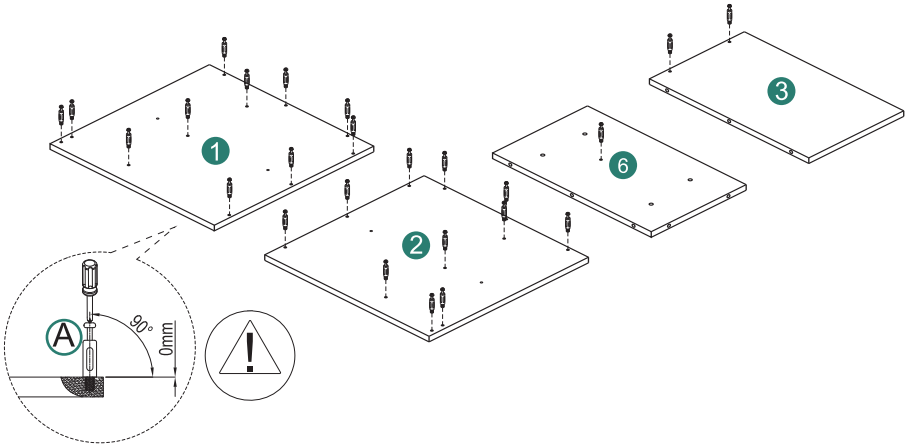
WARNING: To prevent tipping over, this product must be used with the included wall mounting device.
WARNING: Evaluate the suitability of the wall to ensure that the fixtures can withstand the forces that occur.

1		x1	5		x1
2		x1	6		x1
3		x1	7		x1
4		x1			

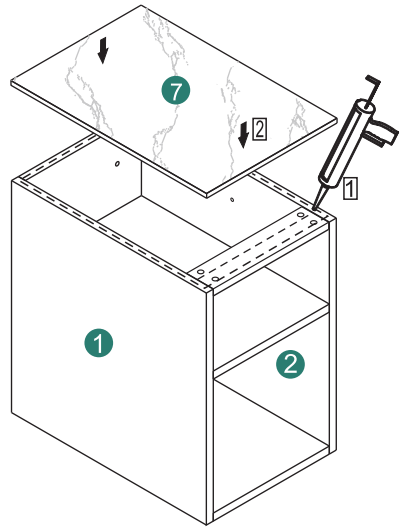
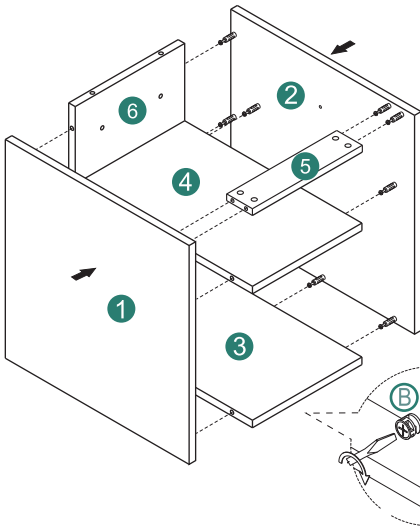
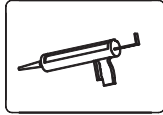
<p>(A)</p>	 <p>Ø6x26mm</p>	<p>x25</p>			
<p>(B)</p>	 <p>Ø15x9mm</p>	<p>x25</p>			
<p>(C)</p>	 <p>Ø3.5x25mm</p>	<p>x4</p>			
<p>(D)</p>	 <p>Ø8x3</p>	<p>x4</p>			
<p>(E)</p>		<p>x4</p>			
<p>(F)</p>	 <p>Ø5x50mm</p>	<p>x4</p>			
<p>(G)</p>		<p>x4</p>			
<p>(H)</p>		<p>x4</p>			



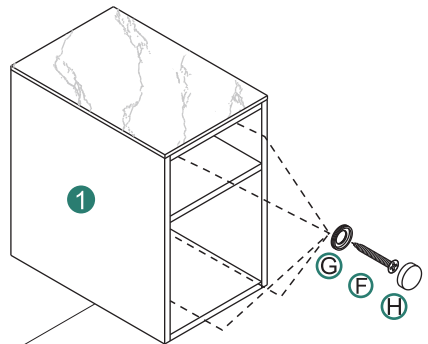
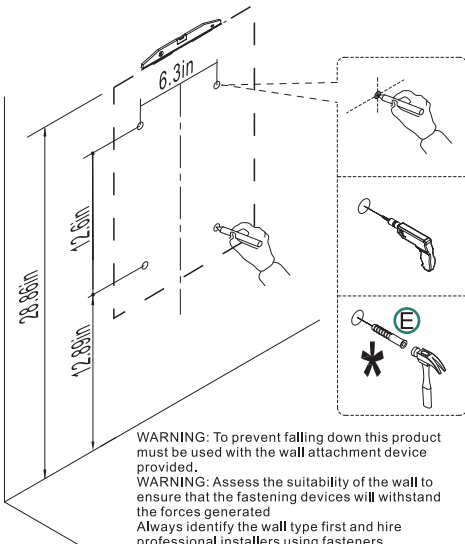
The floor needs to be covered with paper or carpet protective material before installation!



3



4



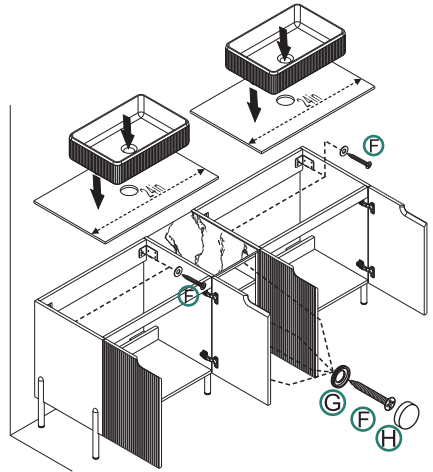
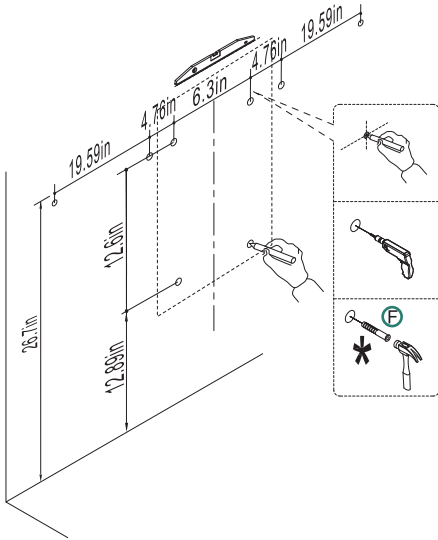
WARNING: To prevent falling down this product must be used with the wall attachment device provided.

WARNING: Assess the suitability of the wall to ensure that the fastening devices will withstand the forces generated

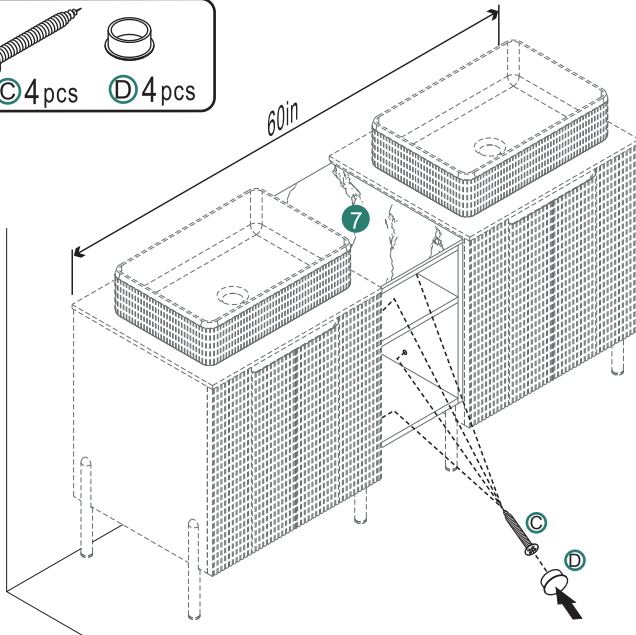
Always identify the wall type first and hire professional installers using fasteners specifically designed for that wall type.

6

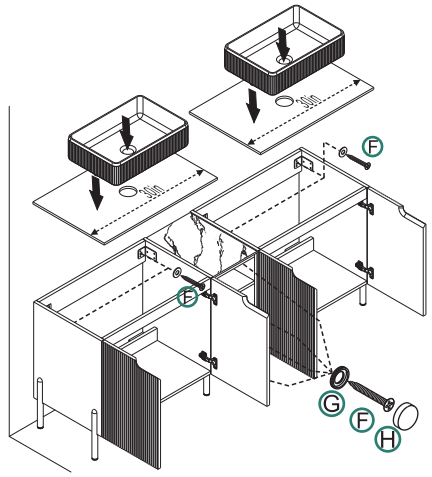
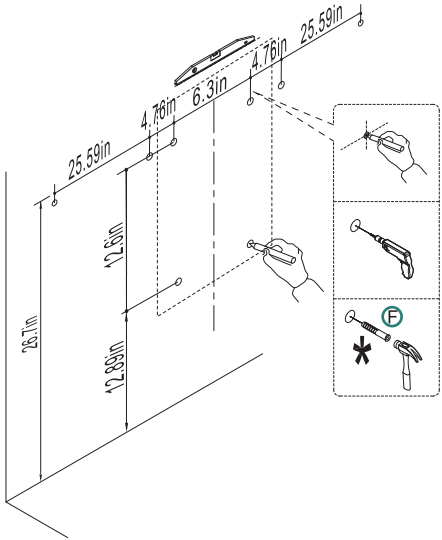
5



6



5



6

