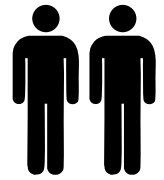
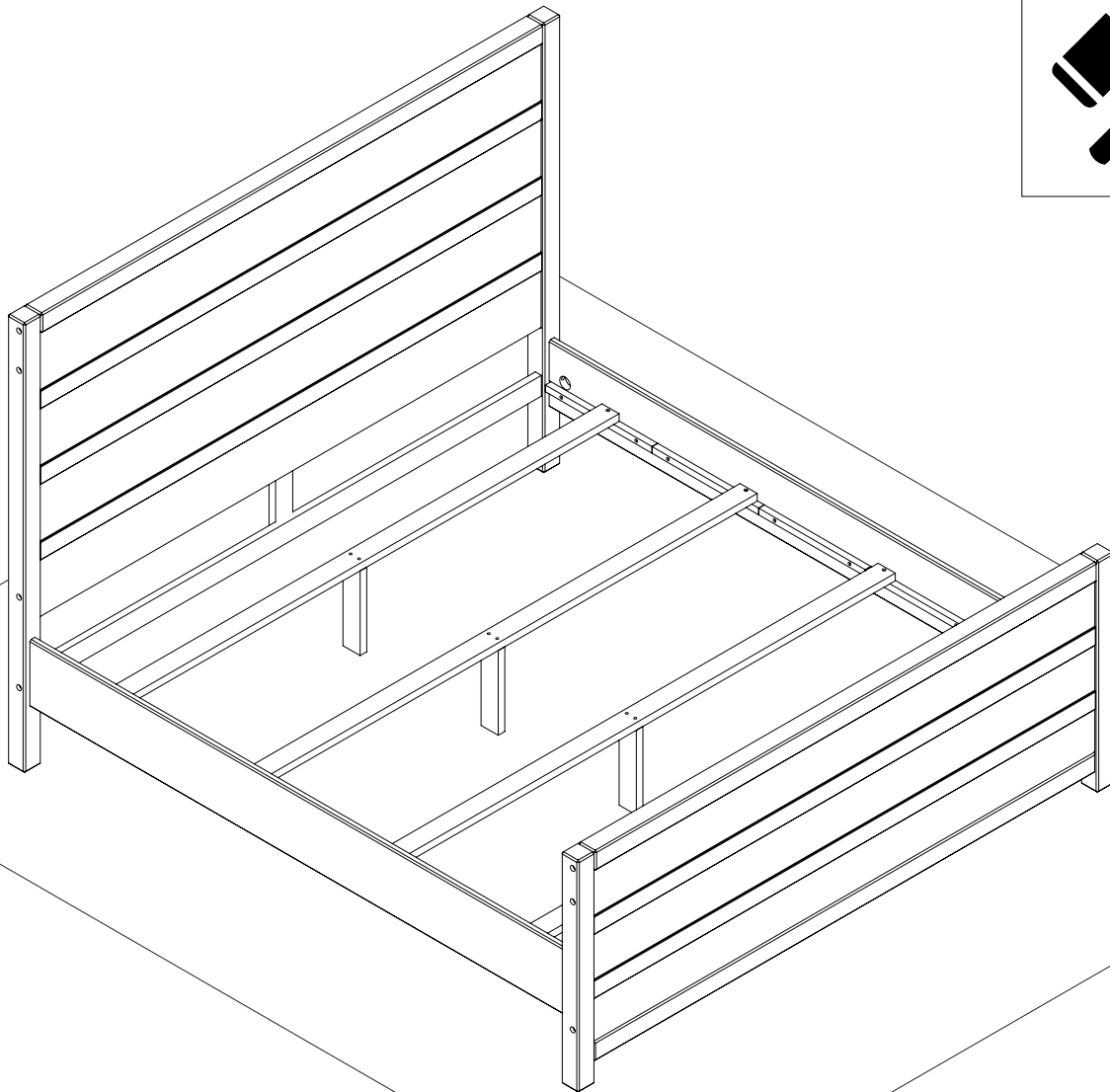


Platform Bed King Size



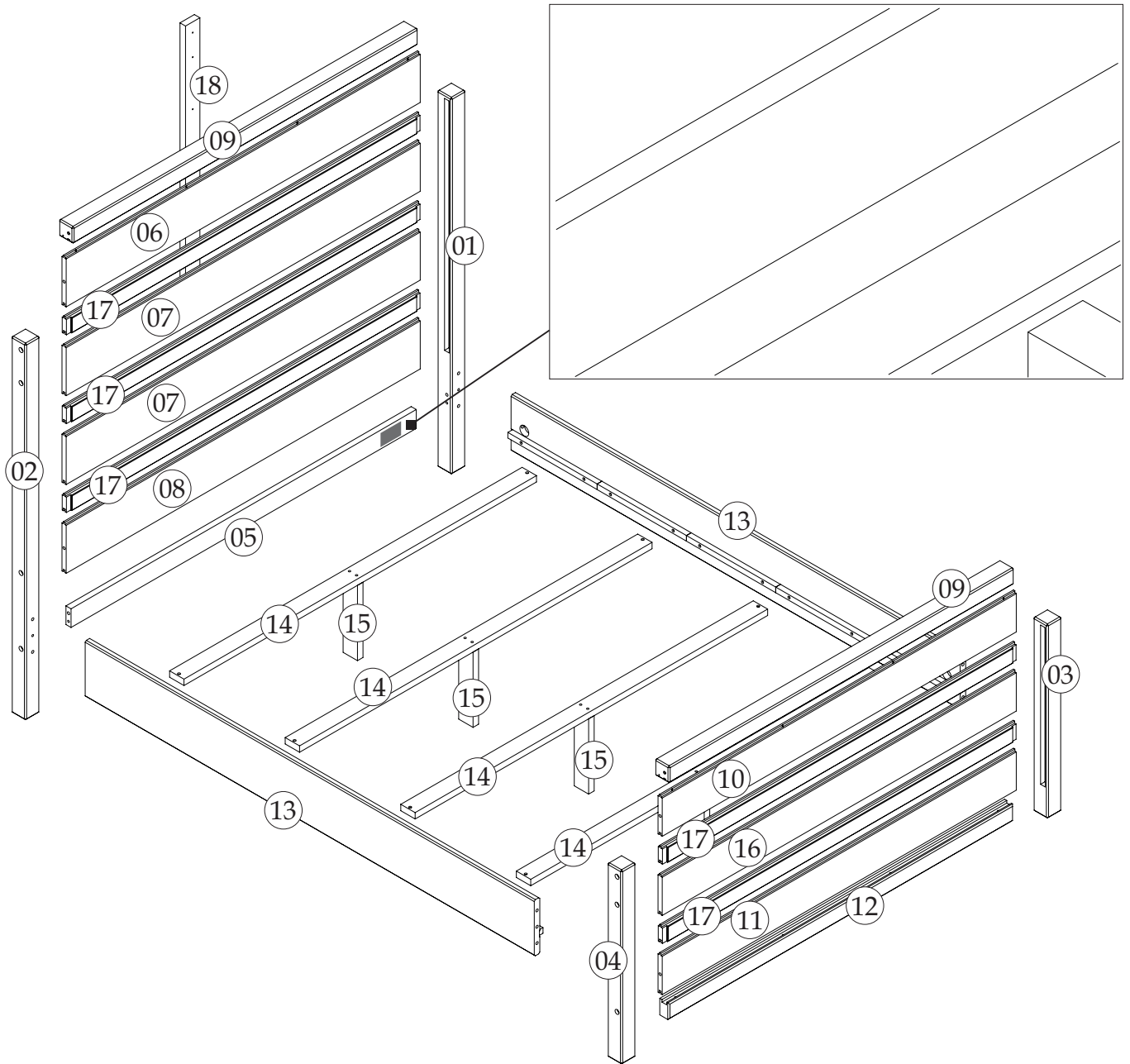
01:00 hour

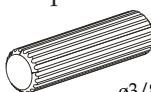
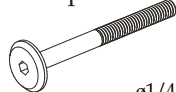

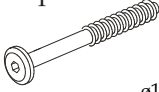
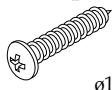
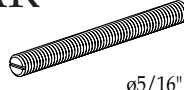
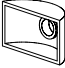



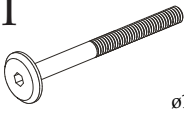
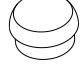





ATTENTION

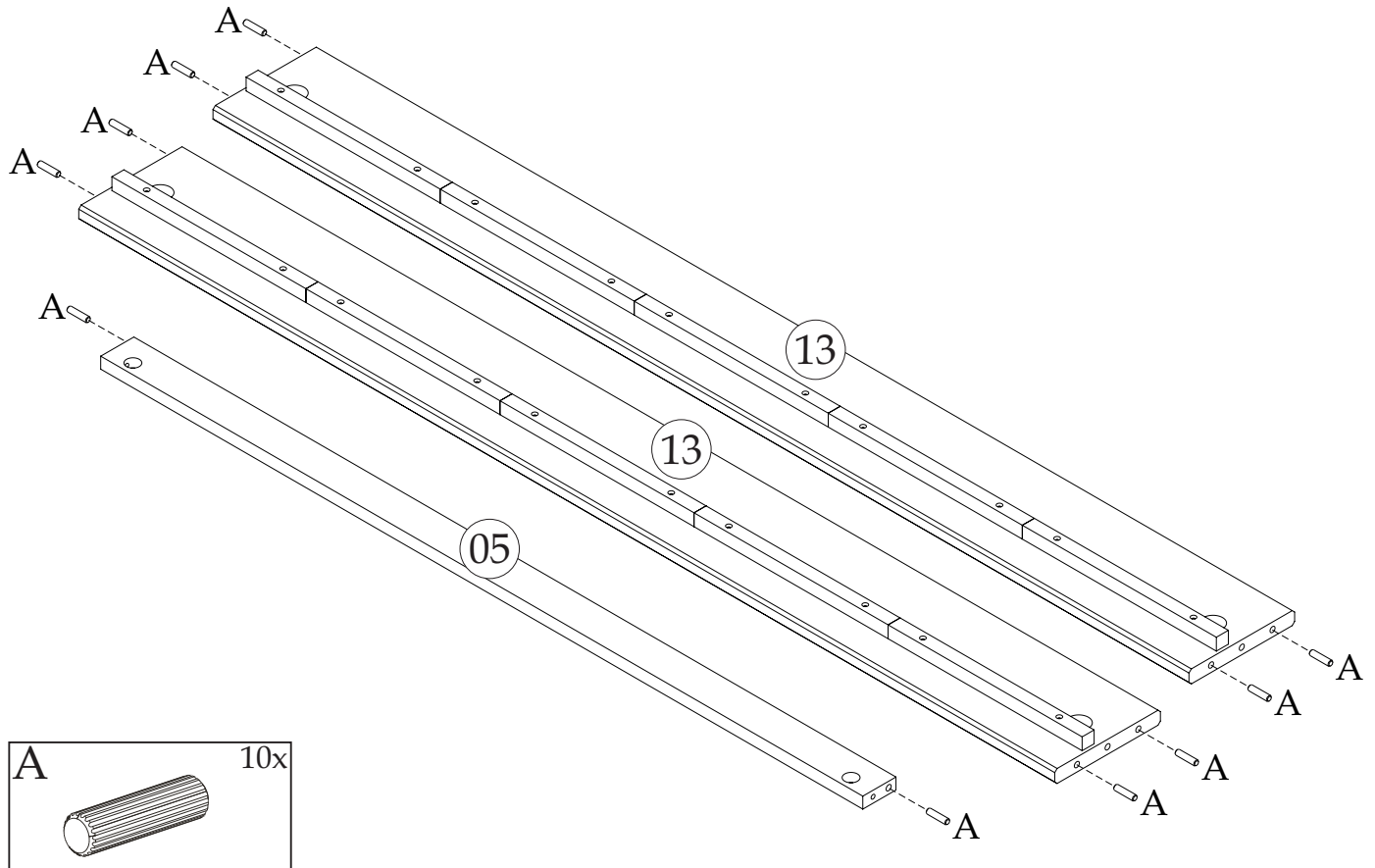
- 1 - Read and observe carefully all the assembly instructions before beginning assembly.
- 2 - The assembly of the product must be done on a clean and flat surface. We suggest to use the packaging to cover the floor to avoid damages.
- 3 - The screws must be tightened periodically.
- 4 - Avoid contact with sharp objects.
- 5 - Avoid banging pieces together.

Parts and hardware list for assembly.
Please confirm all parts available before assembly.

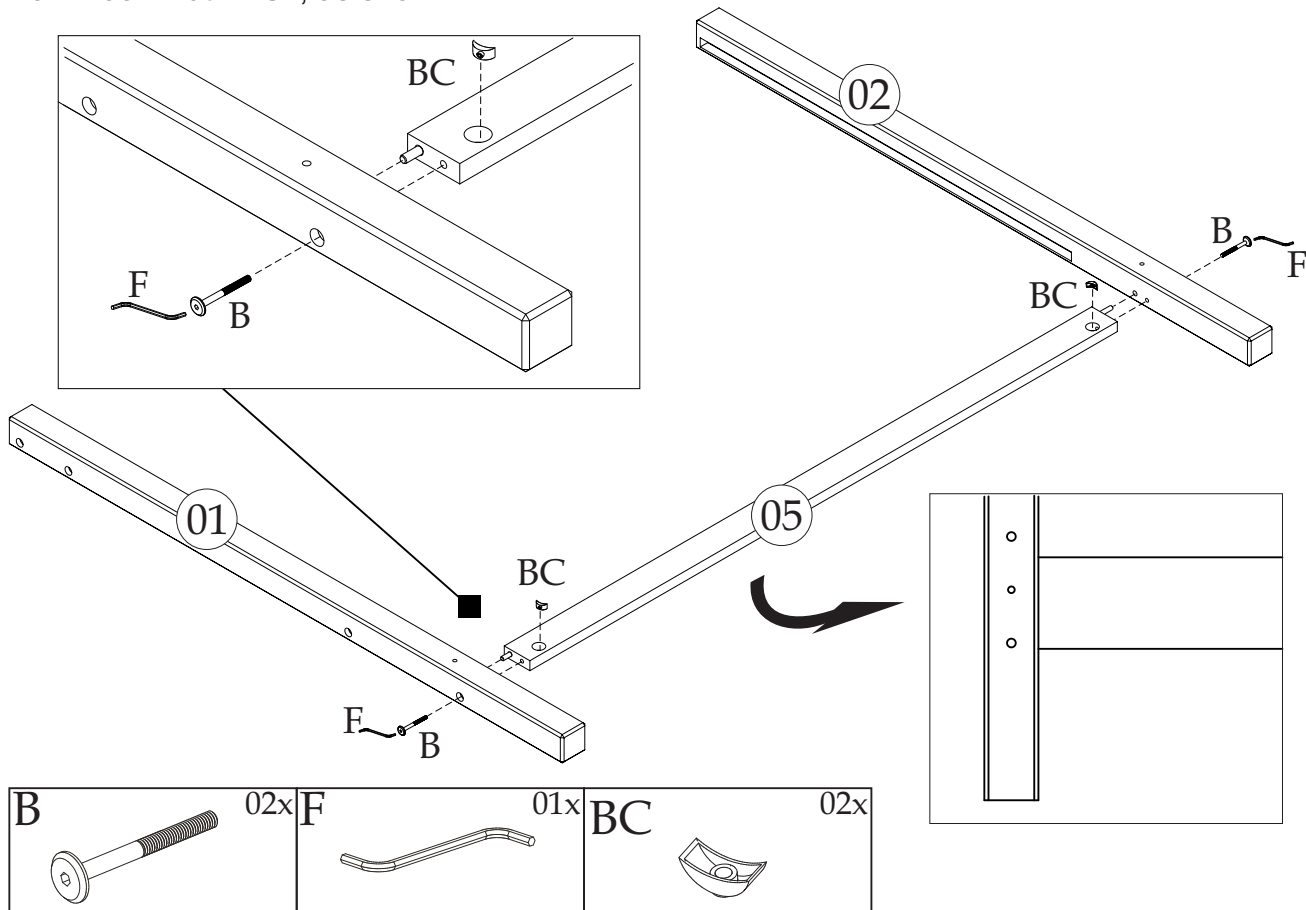


A +2x spare 10x  ø3/8" x 1 9/16"	B +1x spare 10x  ø1/4" x 4 1/4"	F +1x spare 01x  1/4" x 4 1/4"	G +1x spare 04x  ø1/4" x 4"
AP +2x spare 30x  ø1/8" x 1 3/8"	AR 02x  ø5/16" x 3 1/2"	AS 02x  1/2" x 1 1/4"	AT +1x spare 02x  ø5/16"
AU 01x  1/2"	BC +1x spare 12x  1/4"	BI 02x  ø1/4" x 5"	BJ +2x spare 14x  ø3/4"
BL +1x spare 08x  ø1/4" x 2"	BV 04x  1/4"	BW +1x spare 05x  ø1/8" x 2"	

Step 01 - Place Wood Dowels (Part A) into ends of Bed Rails (Part 13) and Headboard Cross Rail (Part 05)



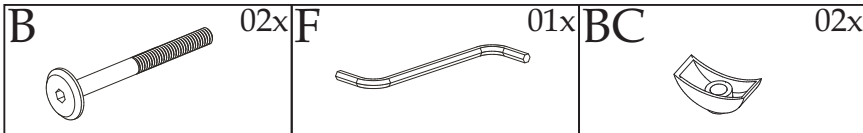
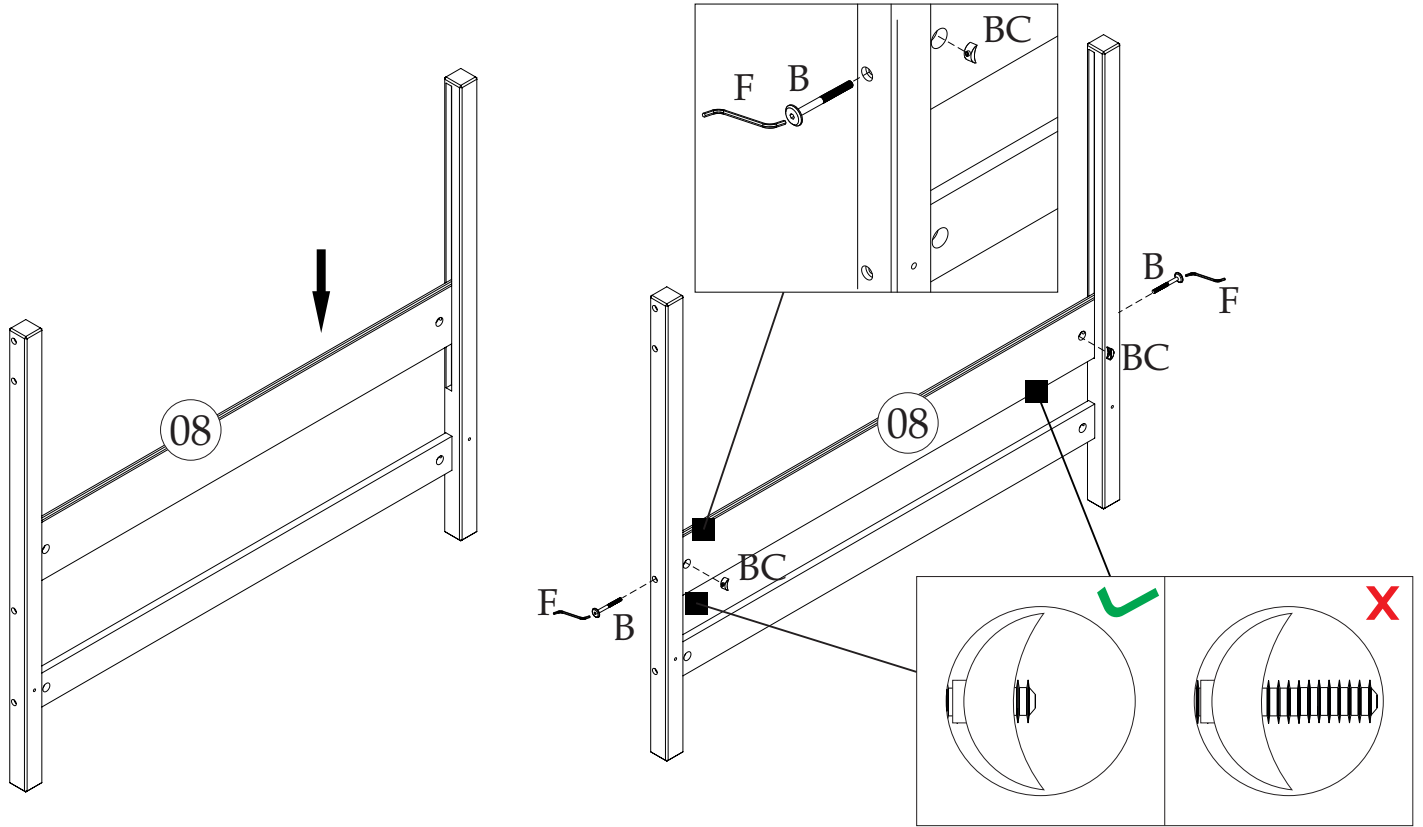
Step 02 - Attach cross rail (Part 05) to Headboard Posts (Parts 01 and 02) using screw "B" and Half Moon Nut "BC", as shown.



Note Do Not Completely Tighten Screws – See Step 03 for clarification.

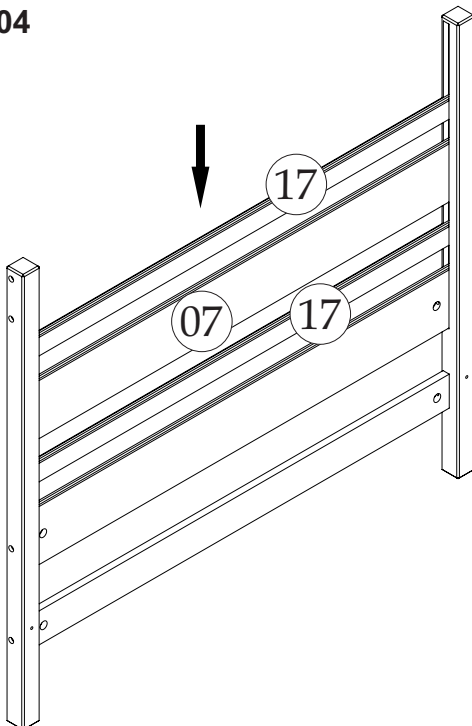
Step 03 - Head Board Assembly OBSERVATION:

When placing Headboard Parts (Nos. 06,07,08 and 17) into Bed Post Channels (Parts 01 and 02), **Do Not** Completely Tighten Screws into Half Moon Nuts (Screw B and Nut BC). This will leave loose wiggle room allowing easier placement of Headboard Boards into the Bed Post Channels. When the Head Board is completely mounted, fully tighten all screws!

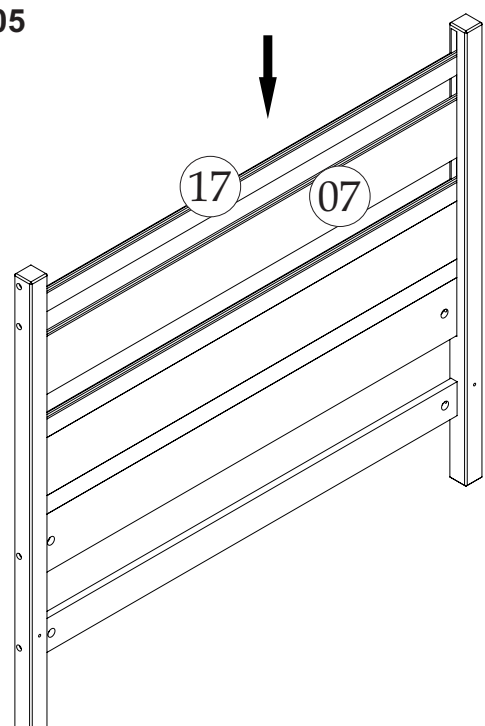


DO NOT FULLY TIGHTEN SCREWS INTO HALF MOON NUT UNTIL ALL HEAD BOARD PARTS ARE MOUNTED IN PLACE.

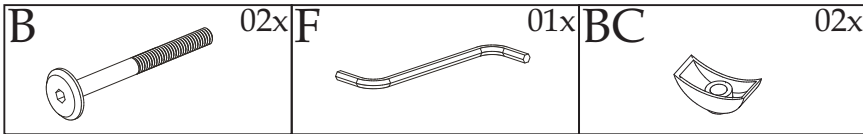
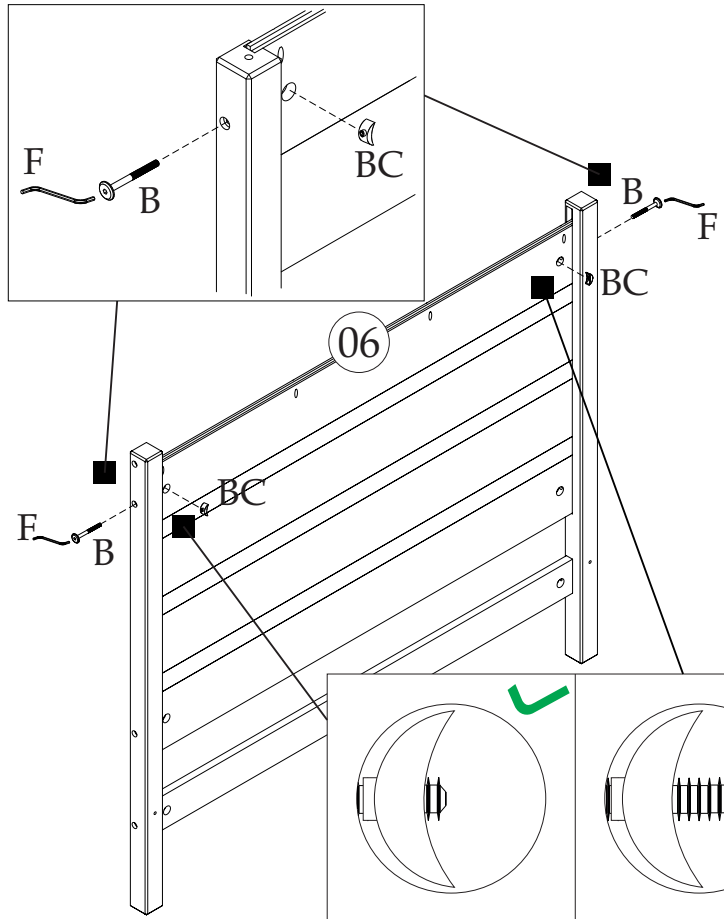
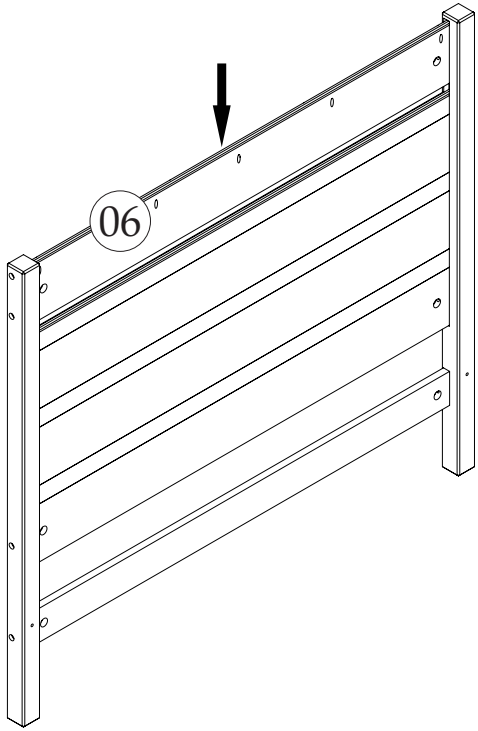
Step 04



Step 05

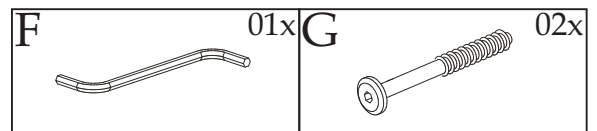
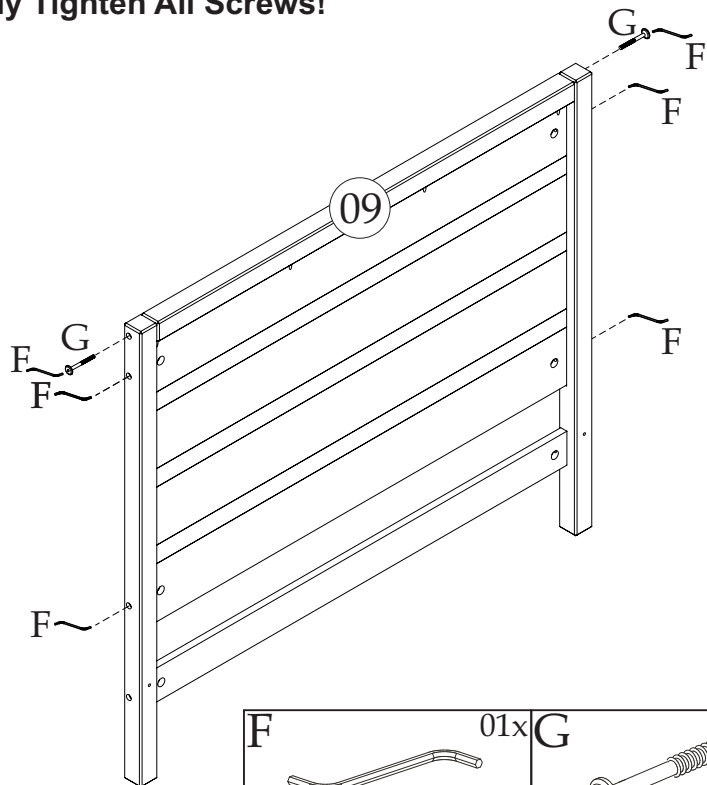
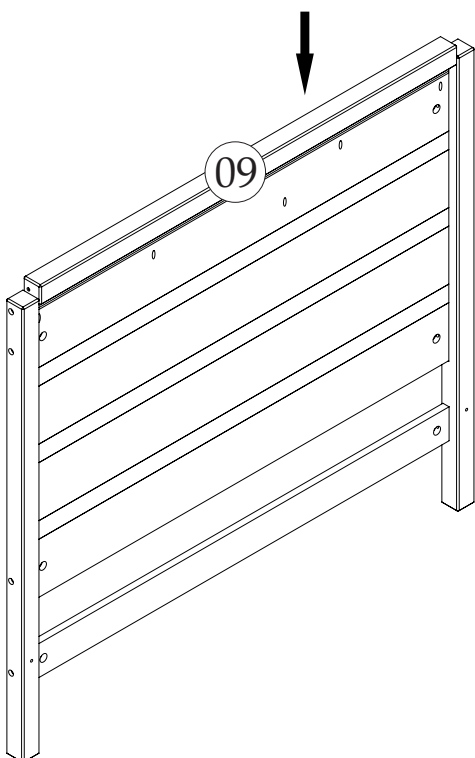


Step 06

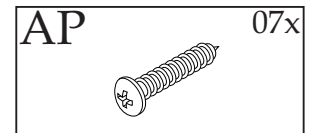
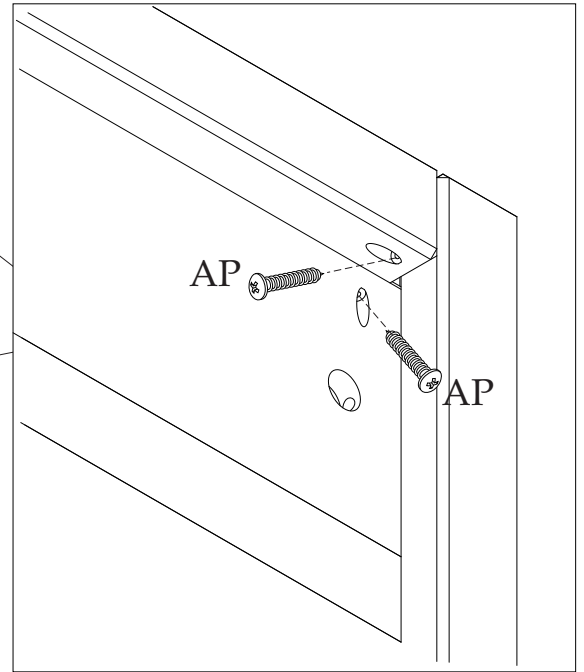
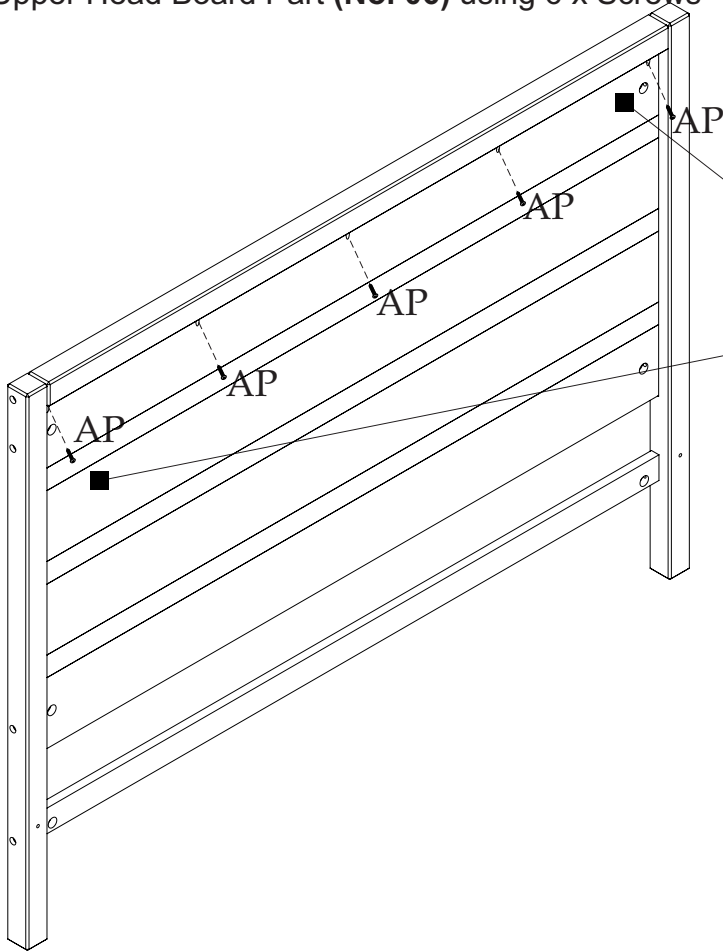


DO NOT FULLY TIGHTEN SCREWS INTO HALF MOON NUT UNTIL ALL HEAD BOARD PARTS ARE MOUNTED IN PLACE.

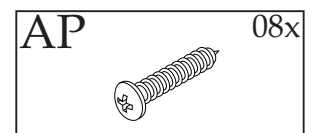
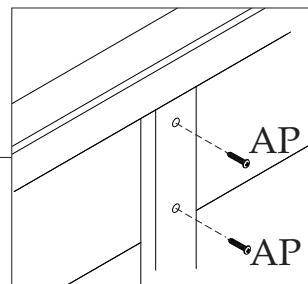
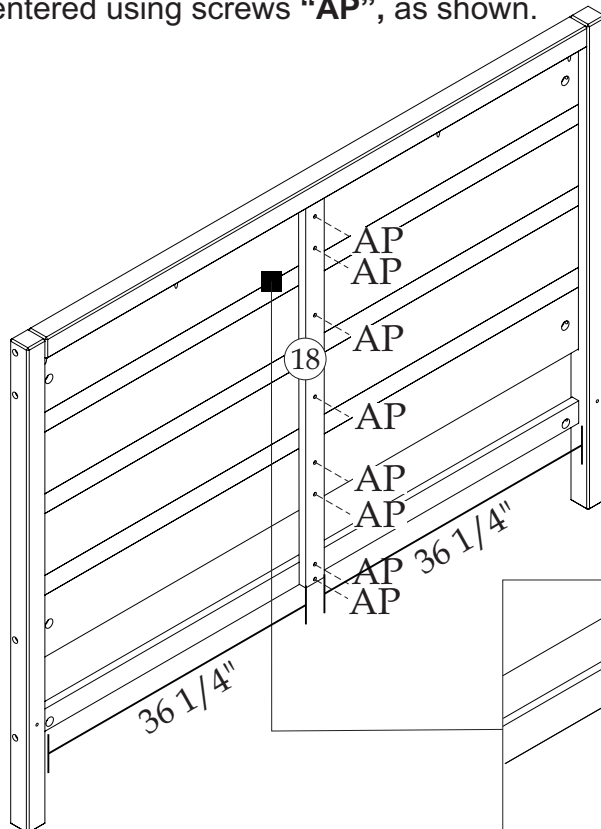
Step 07 - Attach Head Board Top Rail (Part 09) to Bed Posts (Parts 01 & 02) using 2 x screws "G" as shown. Attention: At this Point, Fully Tighten All Screws!



Step 08 - Complete Attachment of Head Board Top Rail (Part 09) to Bed Posts (Parts 01 & 02) and Upper Head Board Part (No. 06) using 6 x Screws "AP".



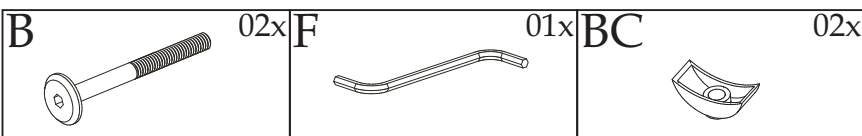
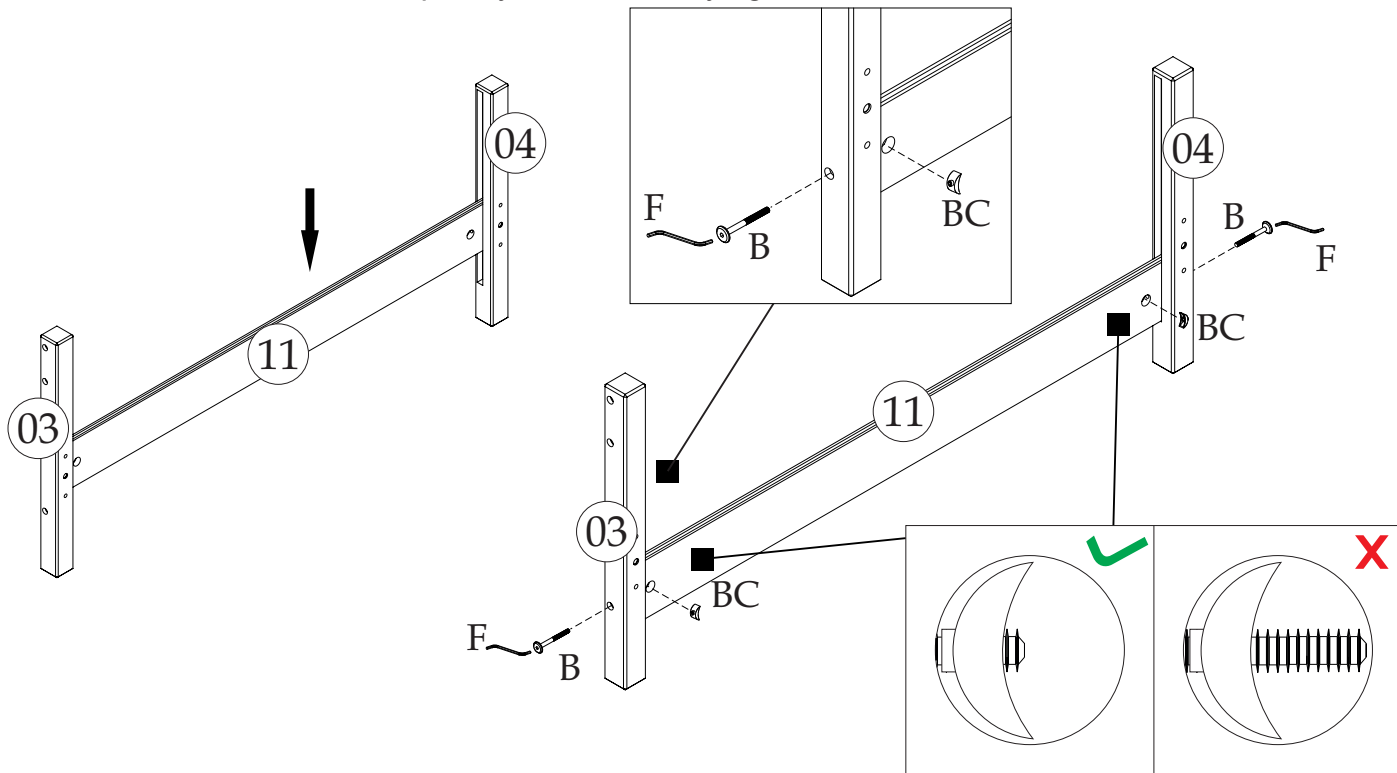
Step 09 - Attach Headboard Center Support Rail (Part 18) to the back side of the of the Head Board centered using screws "AP", as shown.



Observation: The Headboard is now completely assembled and ready to attach to Bed Rails (Part 13)

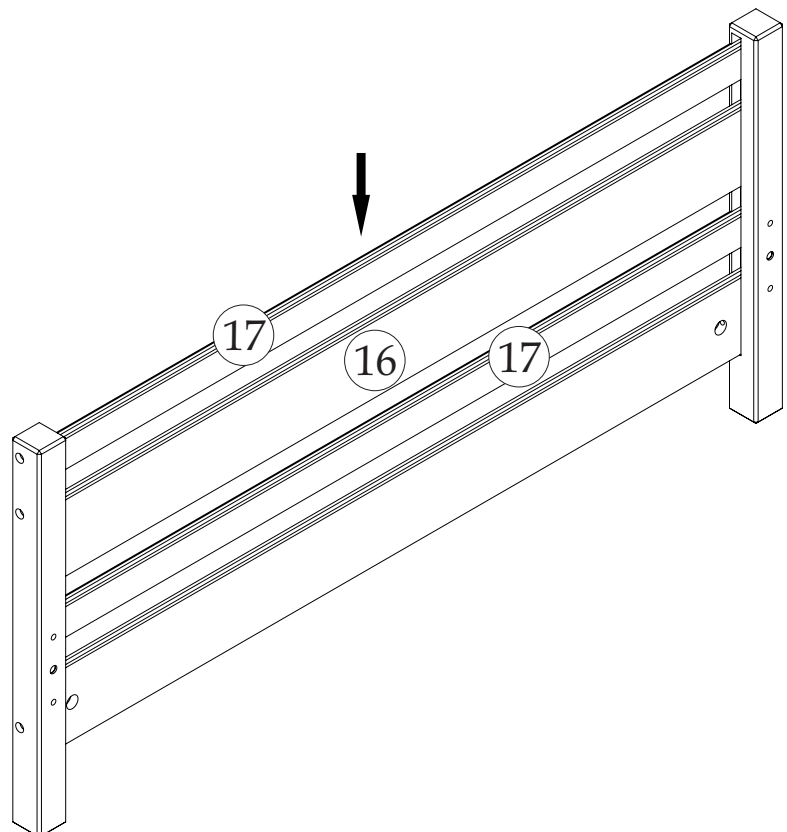
Step 10 - Foot Board Assembly OBSERVATION:

When placing Foot Board Parts (No.11,16,10 and 17) into Foot Board Bed Post Channels (Parts 03 and 04), Do Not Completely Tighten Screws into Half Moon Nuts (Screw B and Nut BC). This will leave loose wiggle room allowing easier placement of Boards into the Bed Post Channels. When the Head Board is completely mounted, fully tighten all screws!

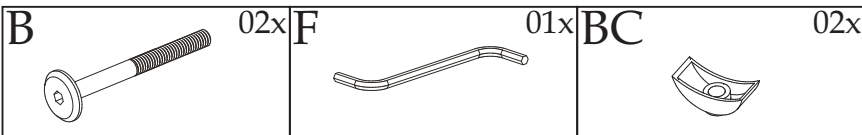
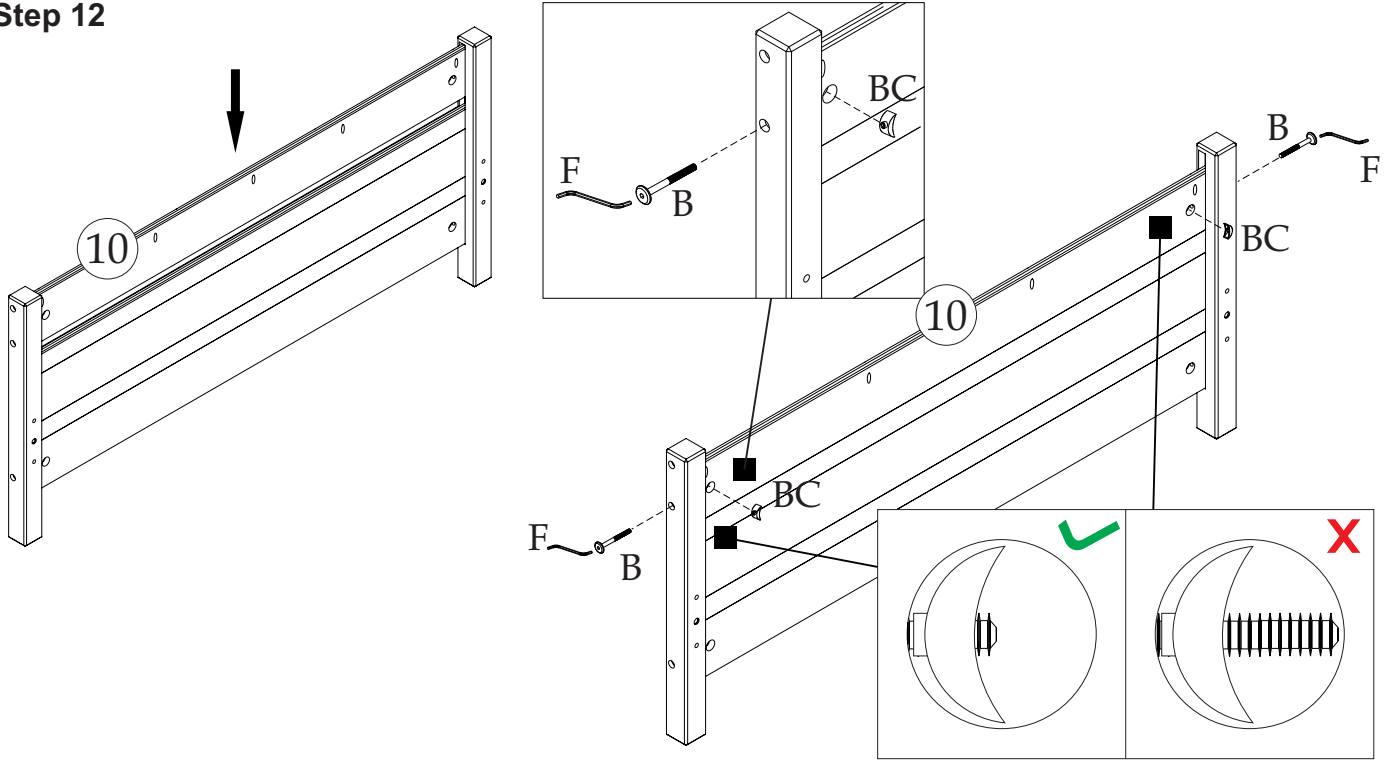


DO NOT FULLY TIGHTEN SCREWS INTO HALF MOON NUT UNTIL ALL FOOT BOARD PARTS ARE MOUNTED IN PLACE.

Step 11

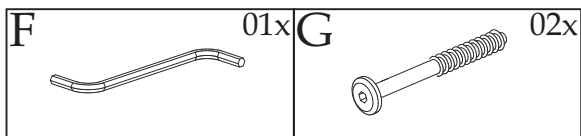
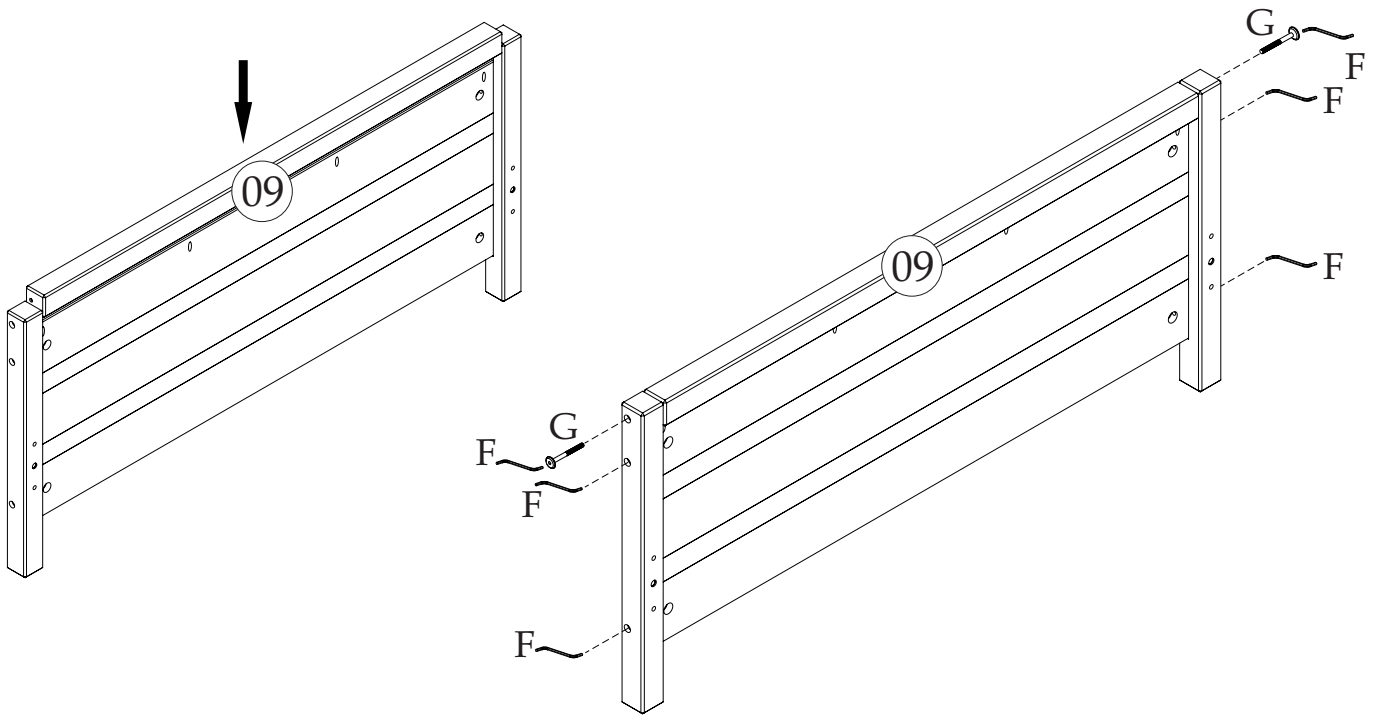


Step 12

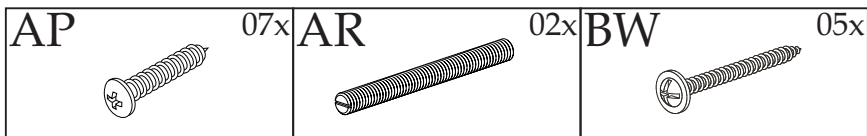
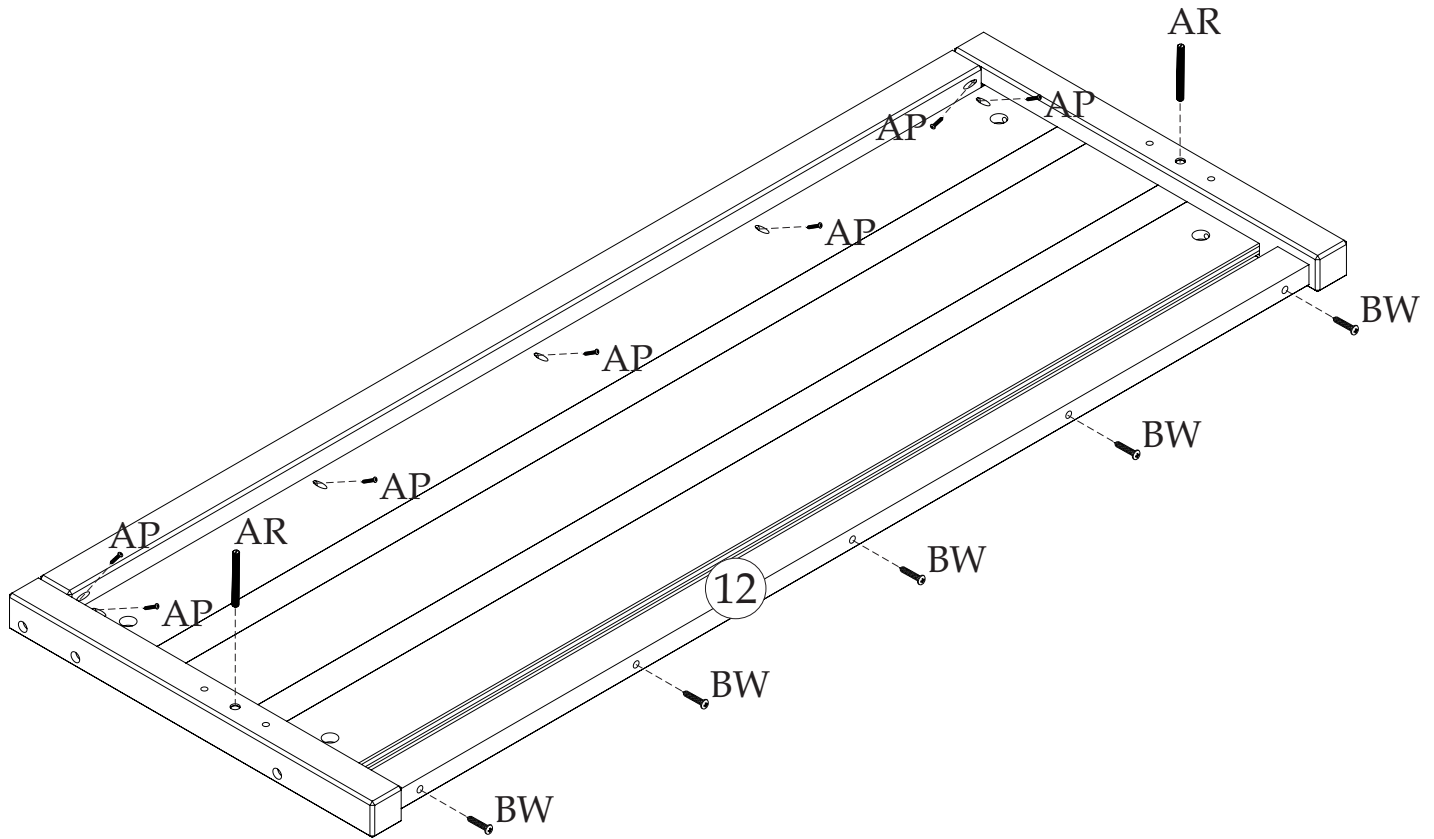


DO NOT FULLY TIGHTEN SCREWS INTO HALF MOON NUT UNTIL ALL FOOT BOARD PARTS ARE MOUNTED IN PLACE.

Step 13 - Attach Footboard Top Rail (Part 09) to Bed Posts (Part 03 & 04) using "G" Screws, as shown. Attention: At this Point, Fully Tighten All Screws!

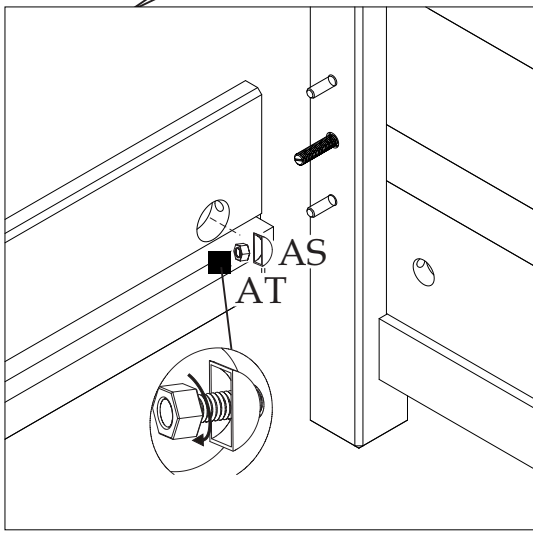
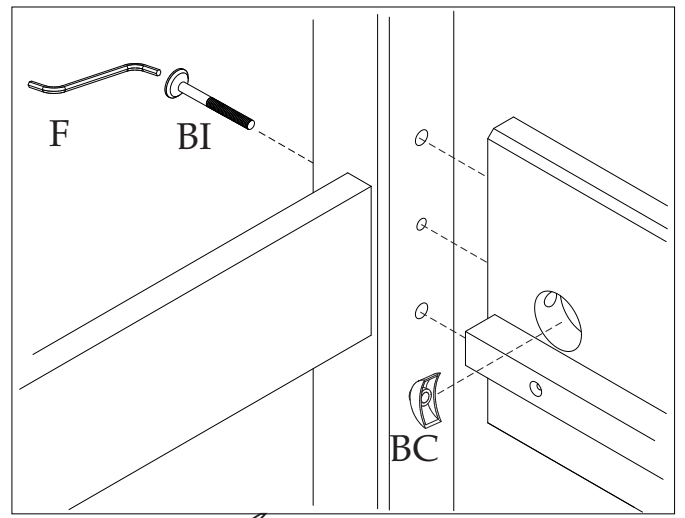
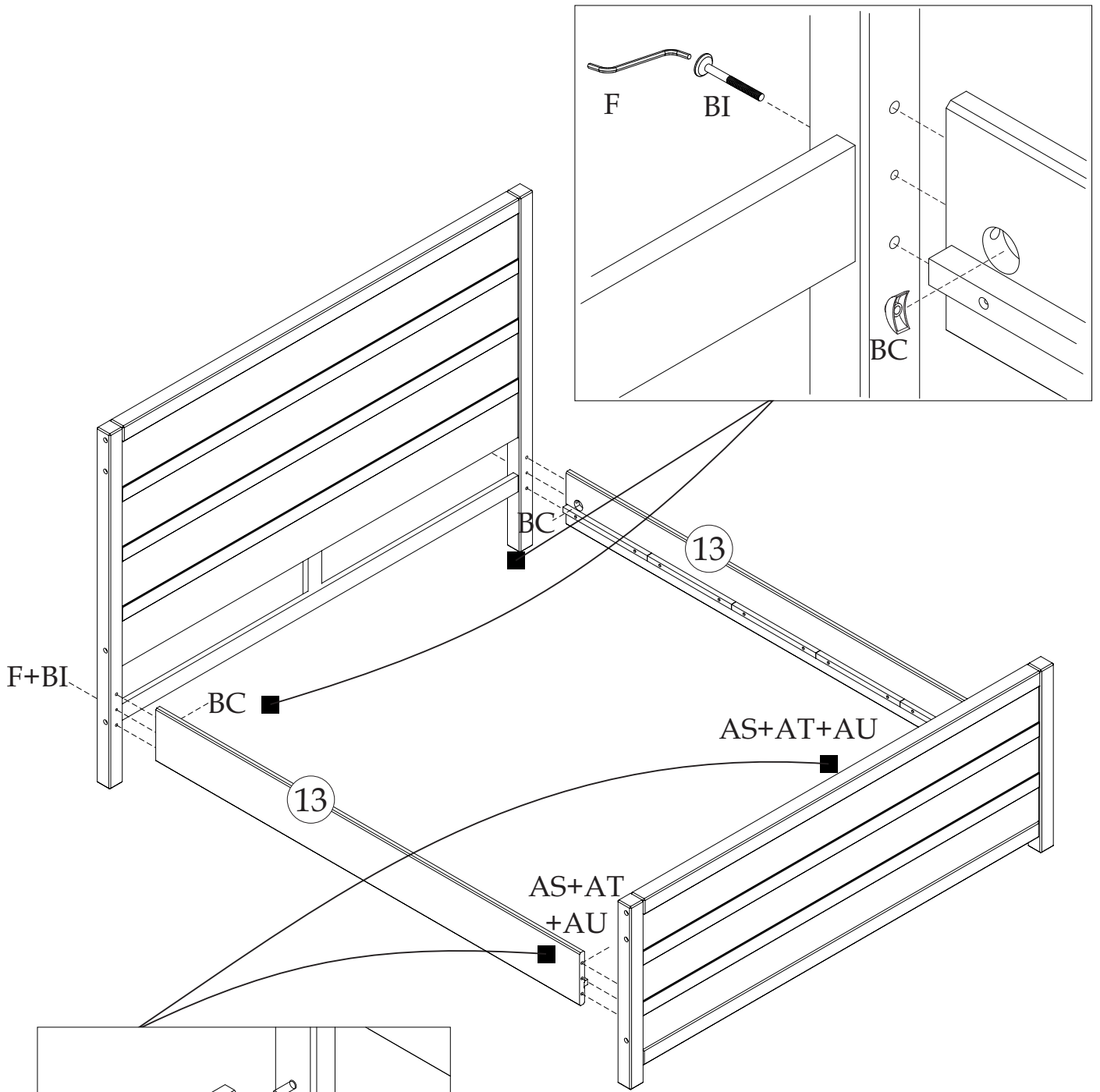


Step 14 - Attach Foot Board Lower Cross Rail (Part 12) to Bed Posts (Parts 03 & 04) using the 4 x Screws "BW". Screw in "AR" screw into Footboard posts (Parts 03 & 04) – as shown in drawing.



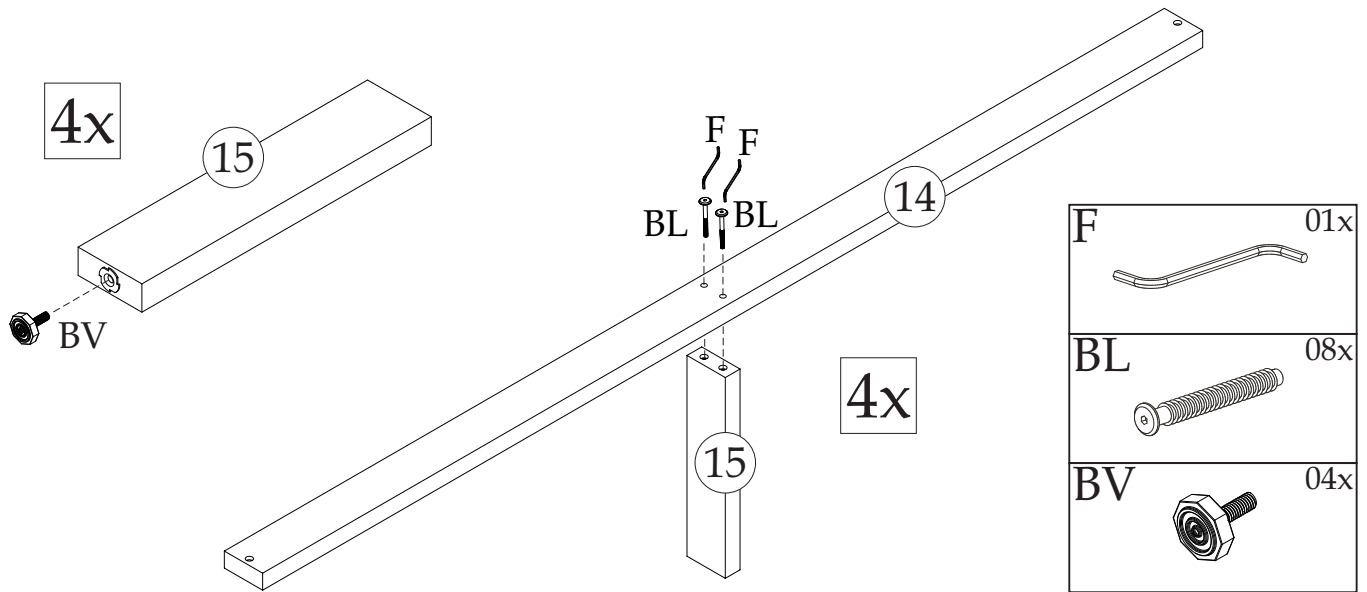
Observation: The Foot board is now completely assembled and ready to attach to Bed Rails (Part 13)

Step 15 - Attach Bed Rails (Part 13) to the assembled Headboard using Screw “BI” with Half Moon Nut “BC”. Then Attach Footboard to bed rails using Half Moon Nut “AS” and Hexagon Nut “AT” to the already inserted screw “AR” of Footboard Posts 03 and 04.

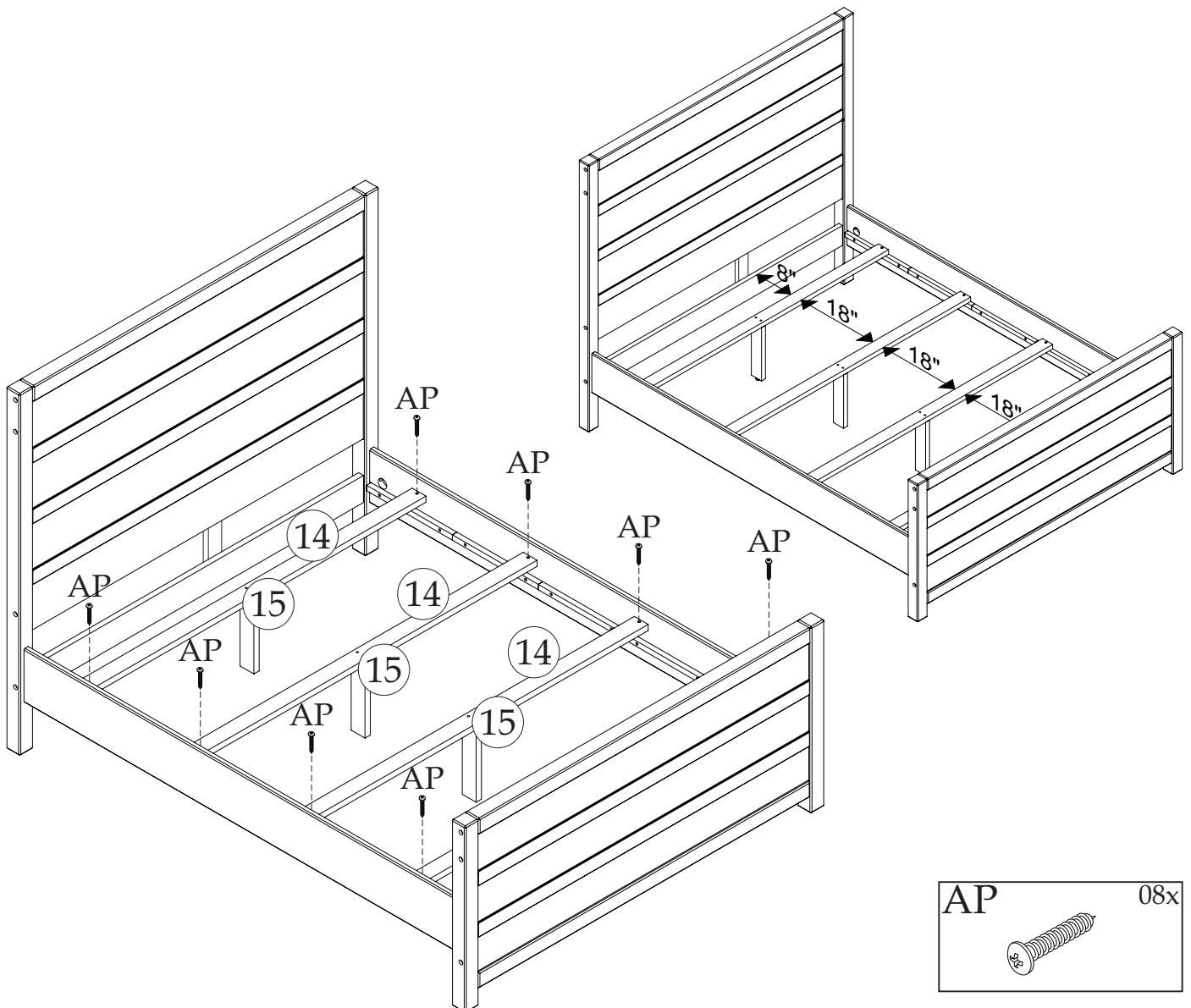


F	01x	AS	02x
AT	02x	AU	01x
BC	02x	BI	02x

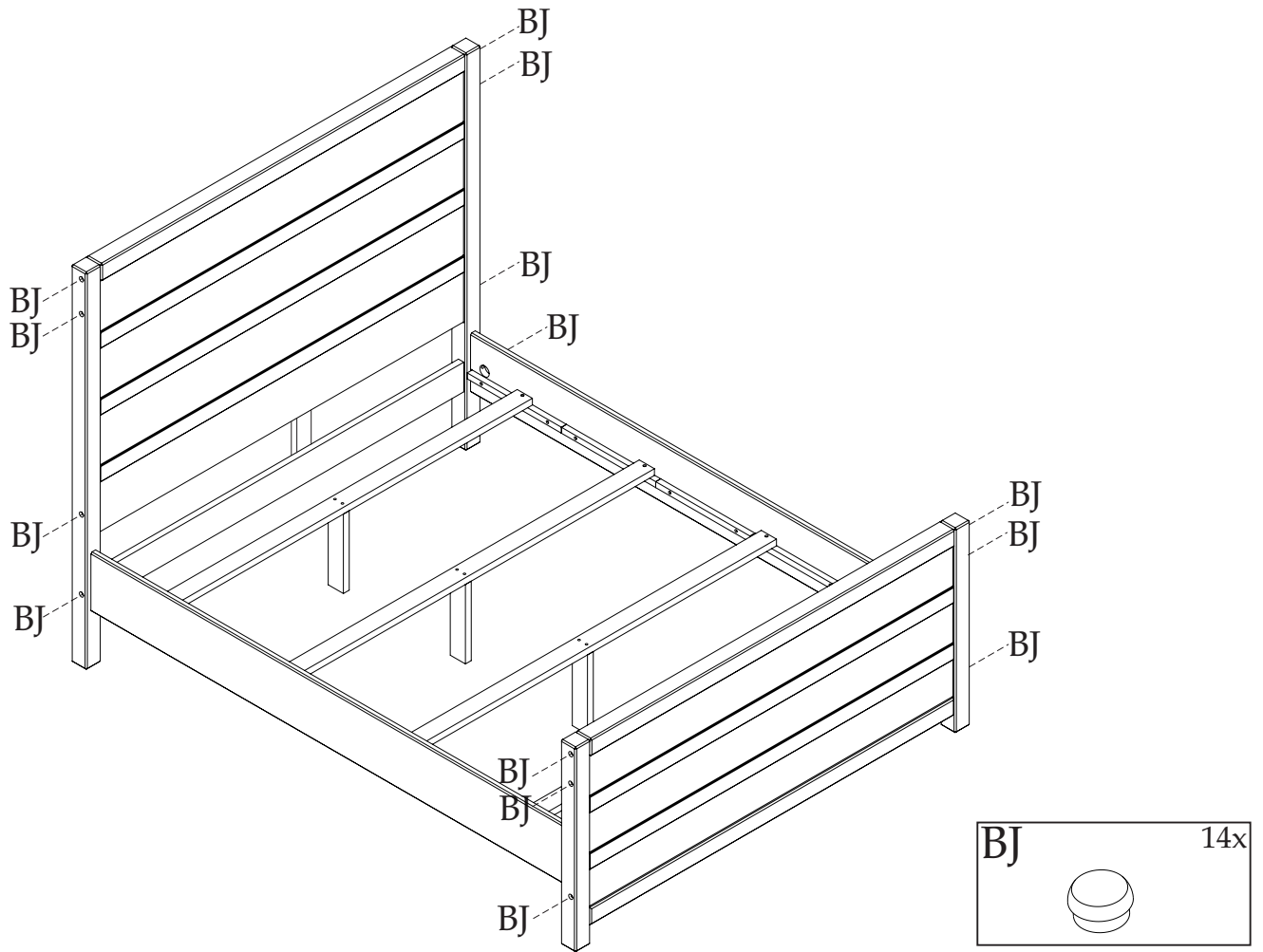
Step 16 - Attach Floor leveler (**Part BV**) to Center Support Post (**Part 15**). Then Attach Support Post (**Part 15**) to the Center Support Cross Beam (**Part 14**) using screws “**BL**”, as illustrated in drawing.



Step 17 - Attach assembled Center Support Beams to Bed Rail Cleats using screws “**AP**” as shown. Please follow spacing directions for the beams per the illustration.



Step 18 - Place Wood Hole Caps (Part BJ) into Headboard and Footboard Bed Posts as shown.



Congratulations, your new bed is now completely assemble and ready to enjoy!