

Installation & Assembly



Fine Furniture for every stage of life

SOFA

REVISION 0 : 08/01/2018

REVISION 1 : 05/18/2019

REVISION 2 : 05/08/2020

REVISION 3 : 10 / 13 / 2022

REVISION 4:10/26/2023

PAGE 1 OF 4

ASSEMBLY INSTRUCTIONS

ASSEMBLY TIPS:

- 1.Remove hardware from box and sort by size.
- 2.Please check to see that all hardware and parts are present prior to start of assembly.
- 3.Please follow attached instructions in the same sequence as numbered to assure fast & easy assembly.





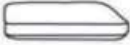



WARNING !

- 1.Don't attempt to repair or modify parts that are broken or defective. Please contact the store immediately.
- 2.This product is for home uses only and not intended for commercial establishments.






ASSEMBLY TIME 20 MINUTES

PARTS IDENTIFICATION

A		SOFA	1PC
B		BACK CUSHION	2 PCS
C		SEAT CUSHION	2 PCS
D		PLAIN PILLOW	2 PCS
E		PATTERNED PILLOW	2 PCS
F		LEGS	4PCS

HARDWARE IDENTIFICATION

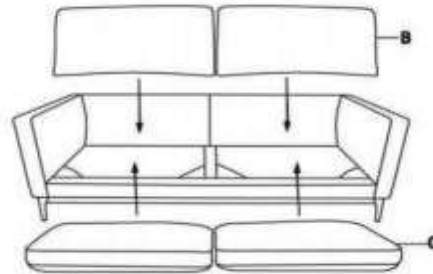
1	BOLT (M8 x 20MM-BLK)		8PCS
2	FLAT WSAHER (M8-BLK)		8PCS
3	ALLEN WARENCH (6#-BLK)		1PC

ASSEMBLY INSTRUCTIONS

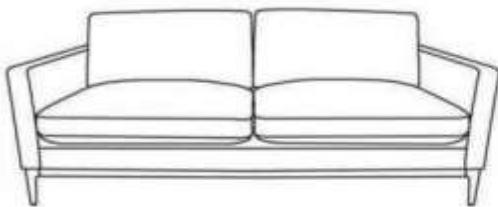
STEP1



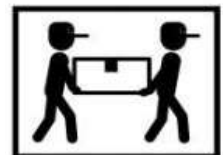
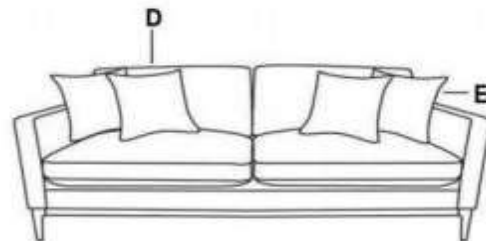
STEP2

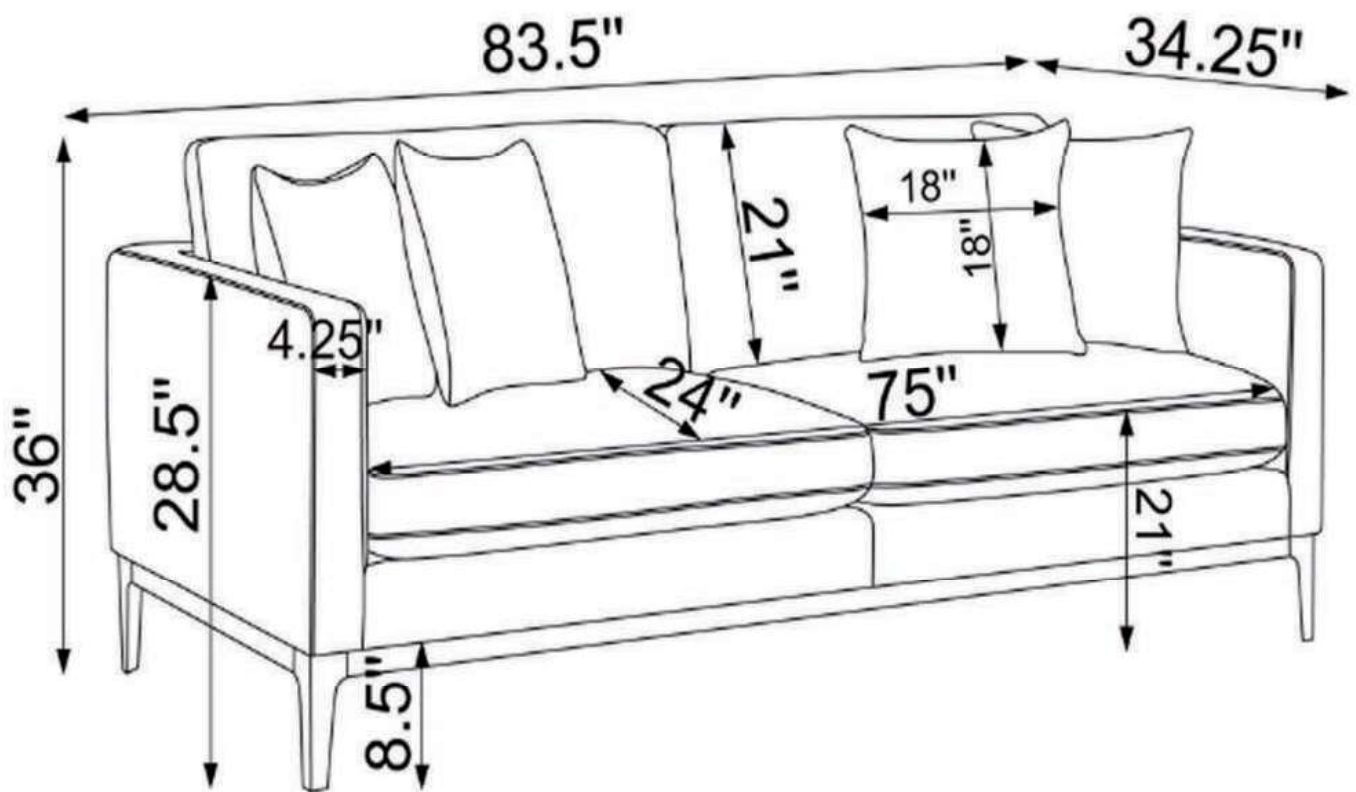


STEP3



STEP4





Note : Dimension tolerance $\pm 5\%$

Installation & Assembly



Fine Furniture for every stage of life

LOVESEAT

REVISION 0 : 08/01/2018

REVISION 1 : 05/18/2019

REVISION 2 : 05/08/2020

REVISION 3 : 10 / 13 / 2022

REVISION 4:10/26/2023

PAGE 1 OF 4

ASSEMBLY INSTRUCTIONS

ASSEMBLY TIPS:

- 1.Remove hardware from box and sort by size.
- 2.Please check to see that all hardware and parts are present prior to start of assembly.
- 3.Please follow attached instructions in the same sequence as numbered to assure fast & easy assembly.



WARNING !

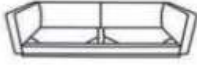




- 1.Don't attempt to repair or modify parts that are broken or defective. Please contact the store immediately.
- 2.This product is for home uses only and not intended for commercial establishments.




ASSEMBLY TIME 20 MINUTES

PARTS IDENTIFICATION

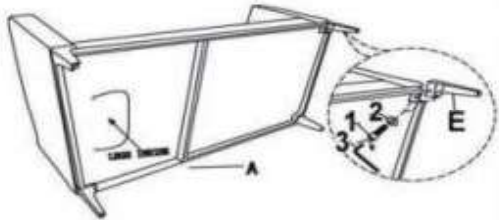
HARDWARE IDENTIFICATION

A		LOVESEAT	1PC
B		BACK CUSHION	2 PCS
C		SEAT CUSHION	2 PCS
D		PATTERNED PILLOW	2 PCS
E		LEGS	4 PCS

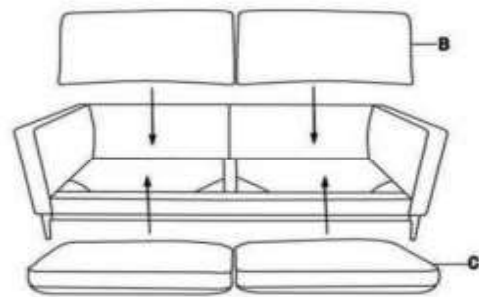
1	BOLT (M8 x 20MM-BLK)		8PCS
2	FLAT WSAHER (M8-BLK)		8PCS
3	ALLEN WARENCH (6#-BLK)		1PC

ASSEMBLY INSTRUCTIONS

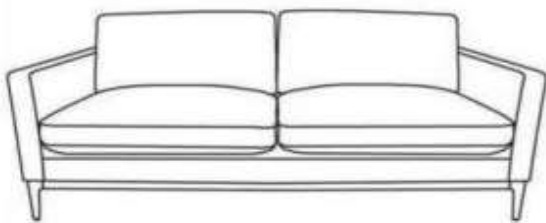
STEP1



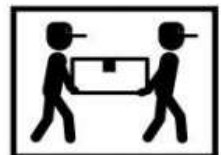
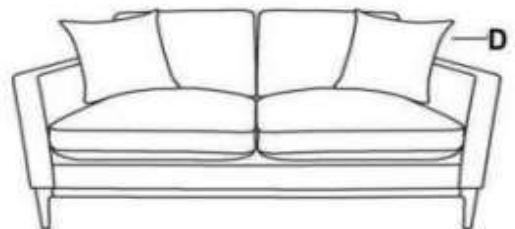
STEP2

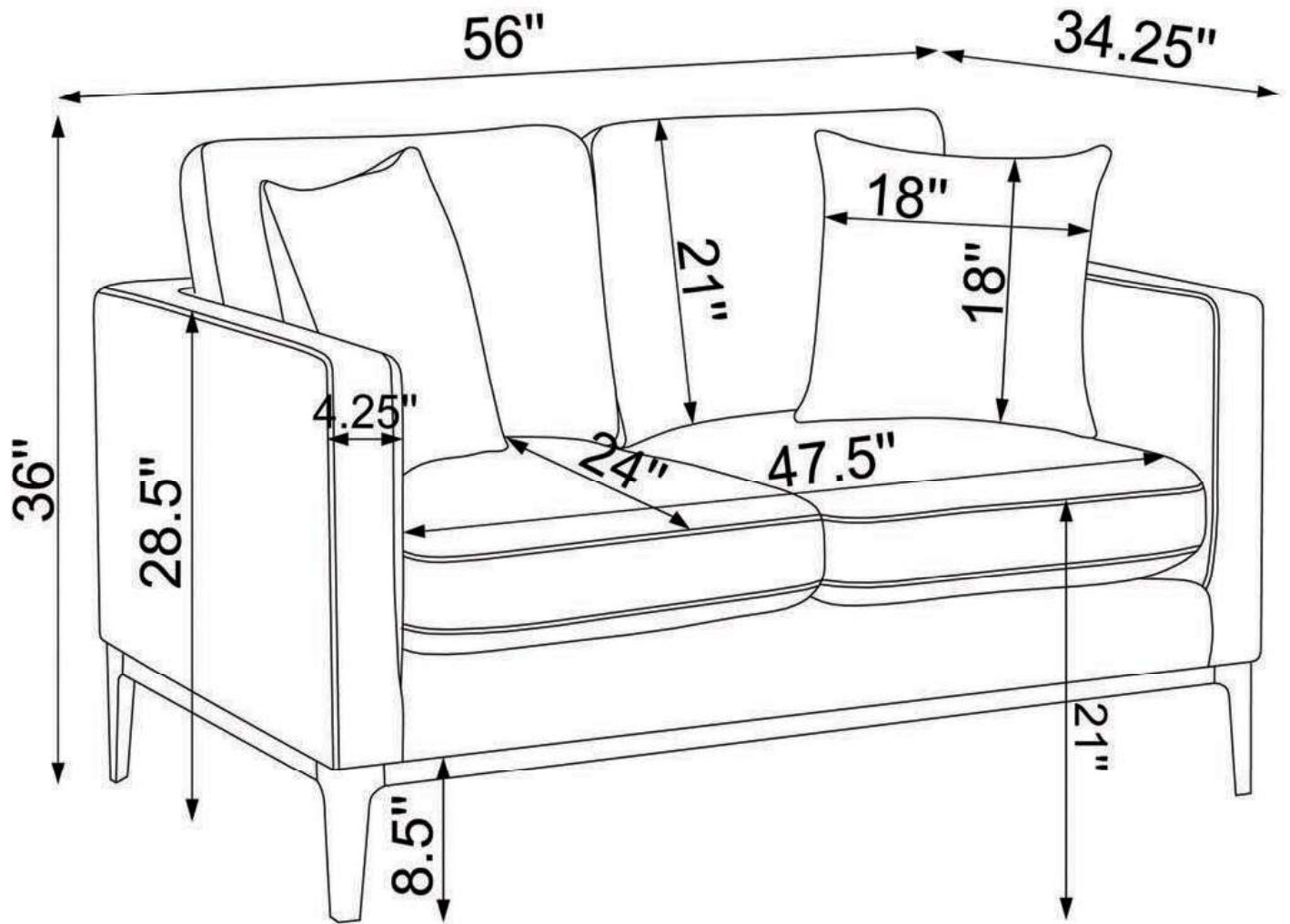


STEP3



STEP4





Note : Dimension tolerance $\pm 5\%$