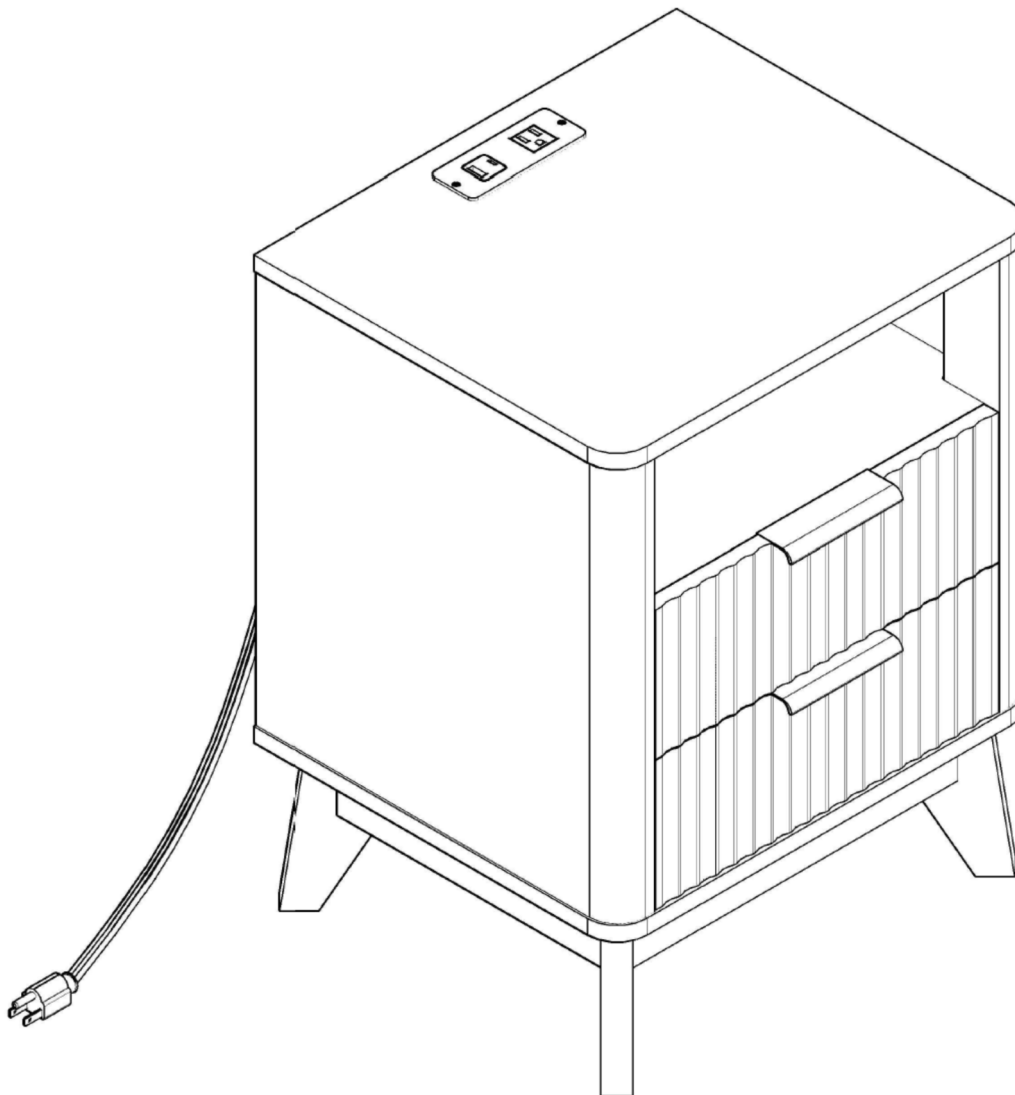


2 DRAWER CABINET

Assembly Instructions - Please keep for future reference



Dimensions

Width: 18 inch
Depth: 15.6 inch
Height: 24 inch

Important – Please read these instructions fully before starting assembly



Safety and Care Advice

Important – Please read these instructions fully before starting assembly

- Check you have all the components and tools listed on the following pages.
- Remove all fittings from the plastic bags and separate them into their groups.
- Keep children and animals away from the work area, small parts could choke if swallowed.
- Make sure you have enough space to layout the parts before starting.

- During assembly do not stand or put weight on the product, this could cause damage.
- Assemble the item as close to its final position (in the same room) as possible.
- Assemble on a soft level surface to avoid damaging the unit or your floor.
- Parts of the assembly will be easier with 2 people.



- To reduce the likelihood of damaging your product please ensure that your power drill is set on a low torque setting.

Care and maintenance

• Only clean using a damp cloth and mild detergent, do not use bleach or abrasive cleaners.

• From time to time check that there are no loose screws on this unit.

• This product should not be discarded with household waste. Take to your local authority waste disposal centre.

Handy Hints

• Assemble all parts and bolts loosely during assembly, only once the product is complete should you fully tighten the bolts.

• Regularly check and ensure that all bolts and fittings are tightened properly.

WARNING

In order to help prevent overturning – please follow these instructions

To help prevent product toppling over please follow the below steps:-

Use the anti tip strap or wall fixing method provided (if applicable)

Do not allow children to climb or hang on the furniture

Do not open more than one drawer at a time

Do not place heavy items in the top drawers


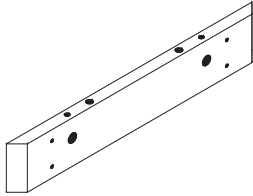
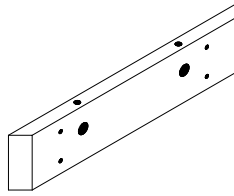
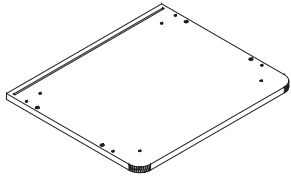
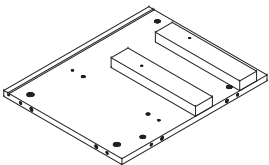
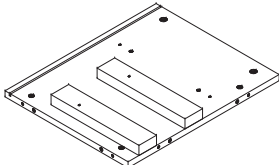
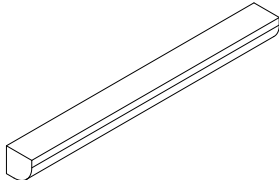
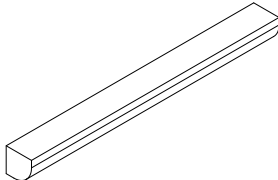
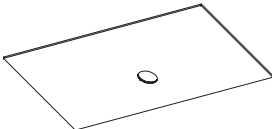

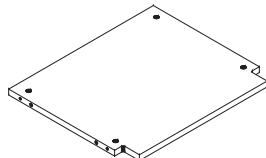
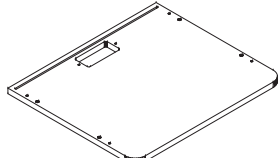
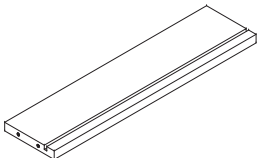
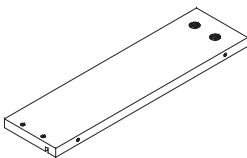
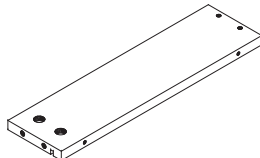
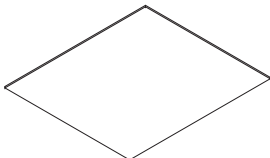
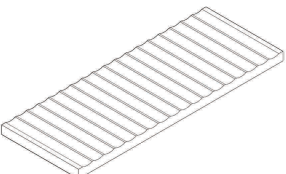
Do not place heavy items on top of the furniture, unless the furniture has been designed for this purpose

please note that only the anti tip strap is provided.

You will need to provide wall plugs and screws applicable for your wall type

Components - Panels

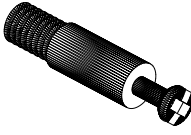
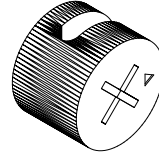
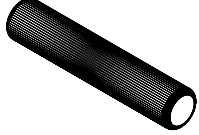

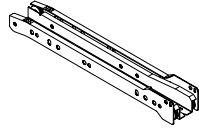
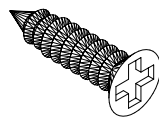
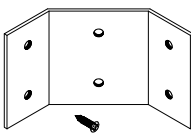

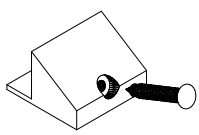
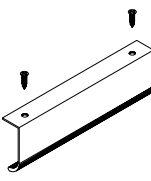
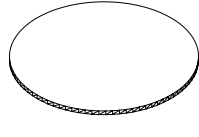
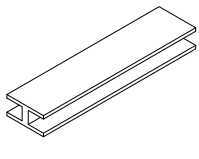
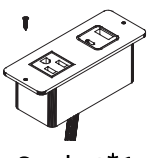
Please check you have all the panels listed below

<p>1</p>  <p>(150*80*25mm)*4</p>	<p>2</p>  <p>(352*60*15mm)*2</p>	<p>3</p>  <p>(287*60*15mm)*2</p>	<p>4</p>  <p>(460*395*15mm)*1</p>
<p>5</p>  <p>(430*393*40mm)*1</p>	<p>6</p>  <p>(430*393*40mm)*1</p>	<p>7</p>  <p>(430*43*41mm)*1</p>	<p>8</p>  <p>(430*43*41mm)*1</p>
<p>9</p>  <p>(437*217*3mm)*1</p>	<p>10</p>  <p>(437*217*3mm)*1</p>	<p>11</p>  <p>(426*360*15mm)*1</p>	<p>12</p>  <p>(460*395*15mm)*1</p>
<p>13</p>  <p>(326*80*12mm)*2</p>	<p>14</p>  <p>(300*80*12mm)*2</p>	<p>15</p>  <p>(300*80*12mm)*2</p>	<p>16</p>  <p>(337*299*3mm)*2</p>
<p>17</p>  <p>(372*140*15mm)*2</p>			

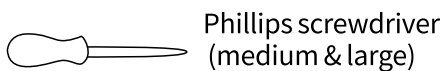
Components – Fittings

Please check you have all the panels listed below

Note: The quantities below are the correct amount to complete the assembly. In some cases more fittings may be supplied than are required.

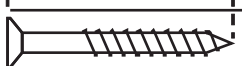
<p>A</p>  <p>Cam Bolt*32</p>	<p>B</p>  <p>Cam Lock*32</p>	<p>C</p>  <p>Wooden Dowel*20</p>
<p>D</p>  <p>4*35mm Screw*12</p>	<p>E</p>  <p>Drawer slide*2</p>	<p>F</p>  <p>3.5*13 Screw*20</p>
<p>G</p>  <p>Corner brace*4</p>	<p>H</p>  <p>4*30mm Screw*8</p>	<p>I</p>  <p>Back panel stiffener*8</p>
<p>J</p>  <p>Handle*2</p>	<p>K</p>  <p>Sticker*8</p>	<p>L</p>  <p>Back panel splice strip*1</p>
<p>M</p>  <p>Socket*1</p>		

Tools required



Ruler - Use this ruler to help correctly identify the screws

0 5 10 15 20 25 30 35 40 45 50 55 60 65 70 75 80 85 90 95 100 105 110 115 120 125 130 135 140 145 150 155 160 165 170

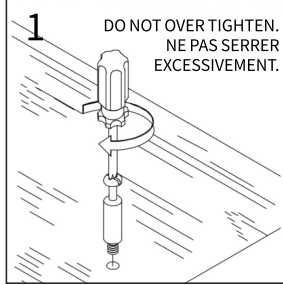


The screws length is measured from the head to the point (30mm screw shown).

Using Camlocks

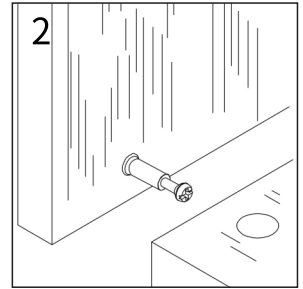
Step 1

Connect the male camlock as directed in the assembly instructions using a screwdriver.



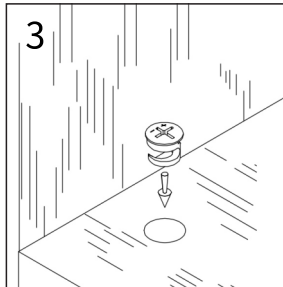
Step 2

Push the male camlock into the entry hole.



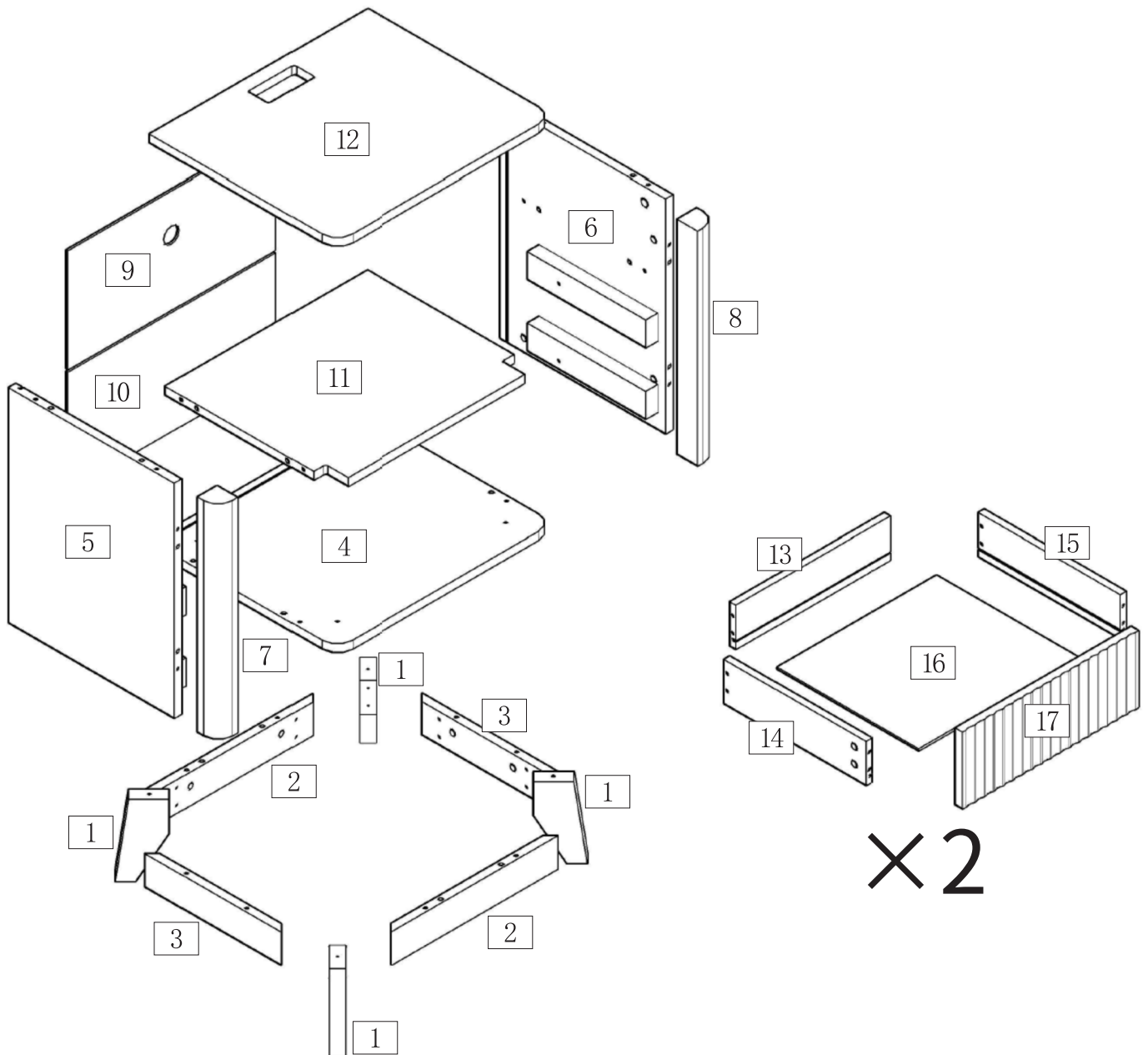
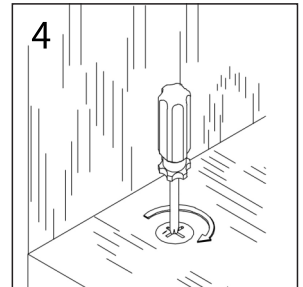
Step 3

Insert the female camlock as shown in the instruction.
Note: ensure that the arrow on the top of the camlock points towards the entry hole for the male camlock.



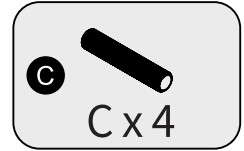
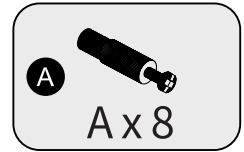
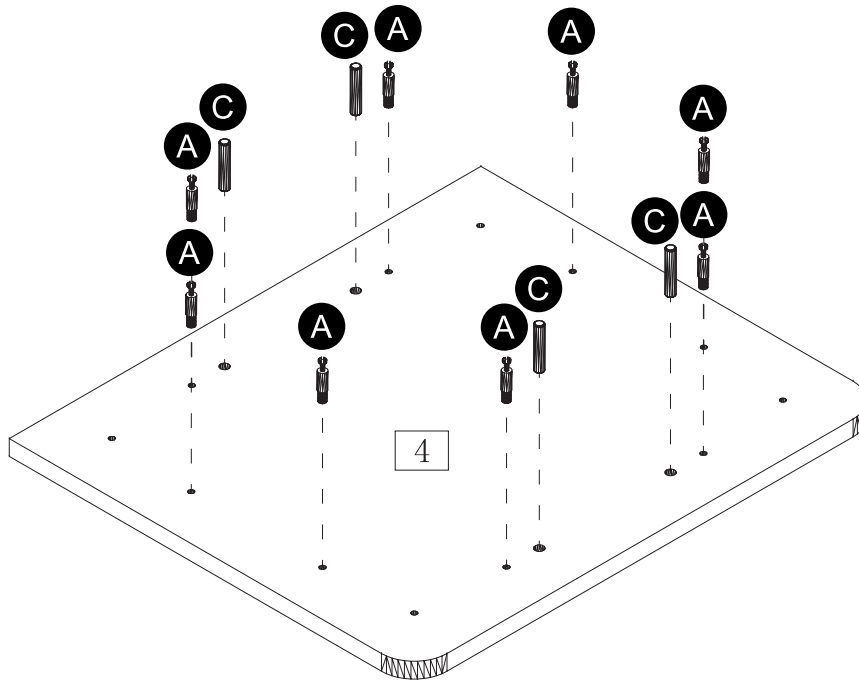
Step 4

Turn the female camlock clockwise with a screwdriver. You should feel a click when the camlock is locked in place. The joint is now secure.



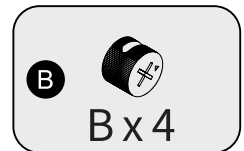
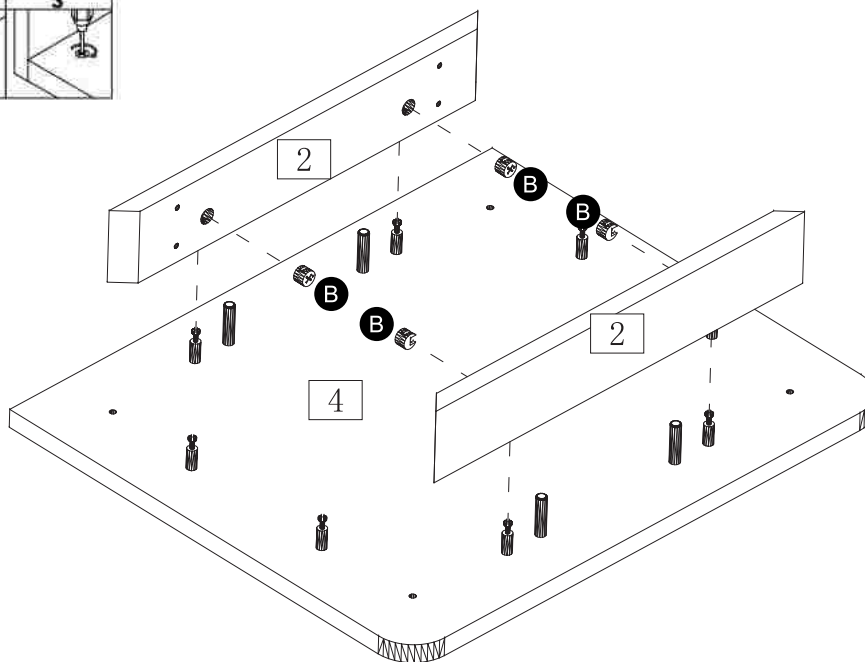
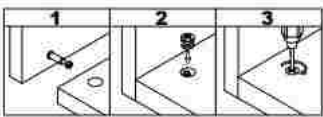
Assembly instructions

Step 1



Install Cam bolt(A)and wooden Dowel (C) on part (4)

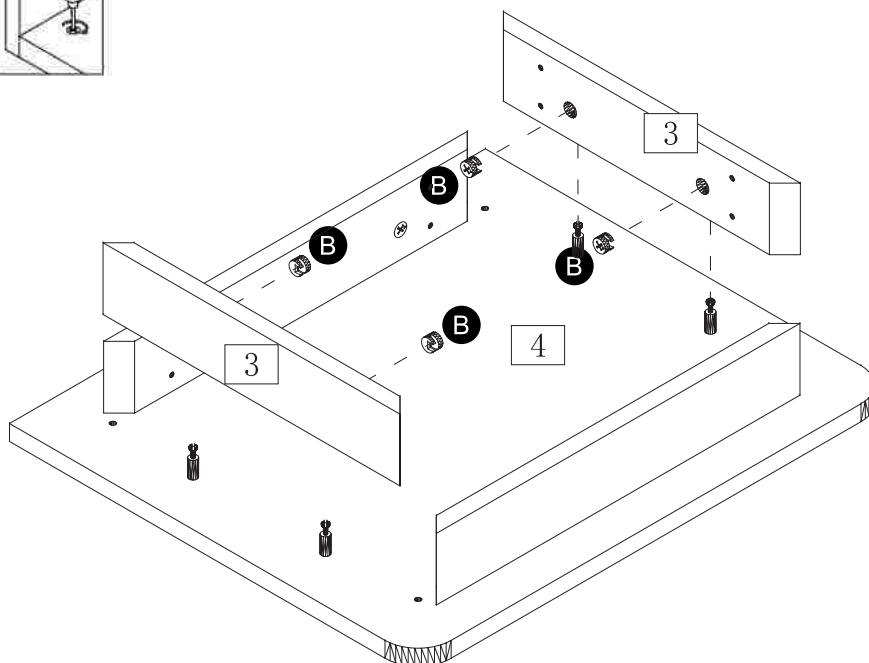
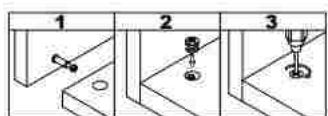
Step 2



Use Cam lock(B) to attach part(2) with part(4) and lock it

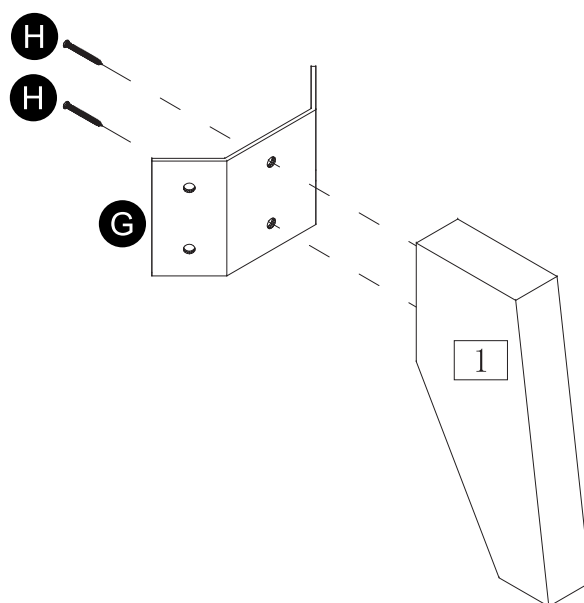
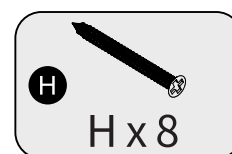
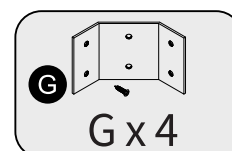
Assembly instructions

Step 3



Use Cam lock(B) to attach part(3) with part(4) and lock it

Step 4

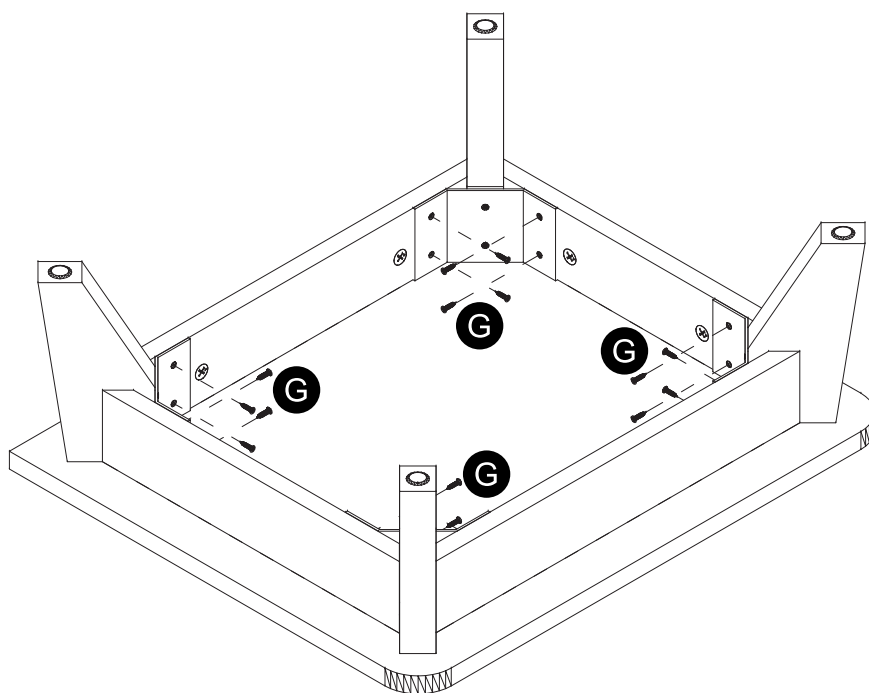
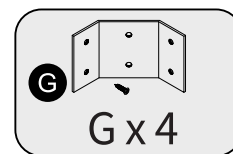


× 4

Use Screw (H) to attach part (G) with part (1) , then lock it

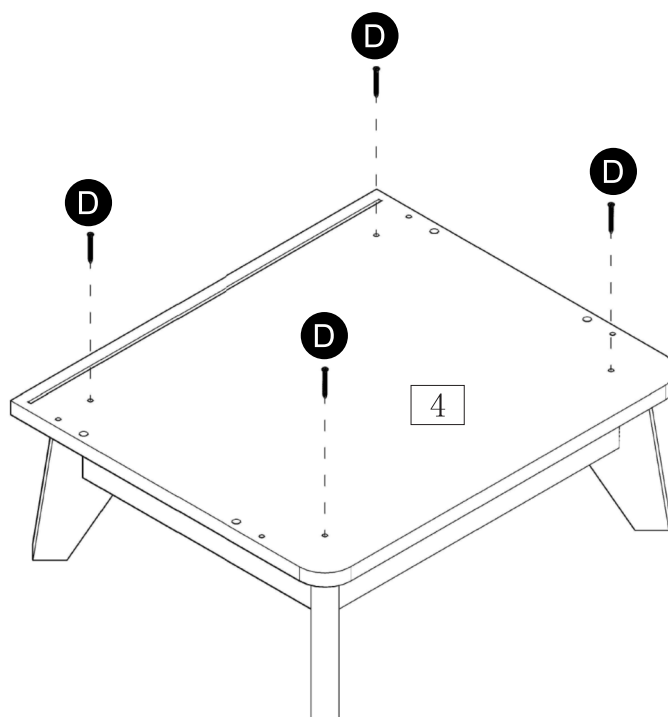
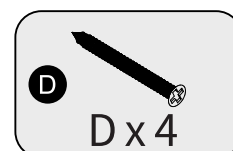
Assembly instructions

Step 5



Use the Screw comes with the corner brace (G) to attach the assembled leg and lock it

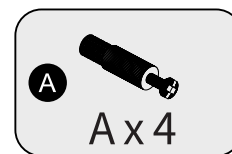
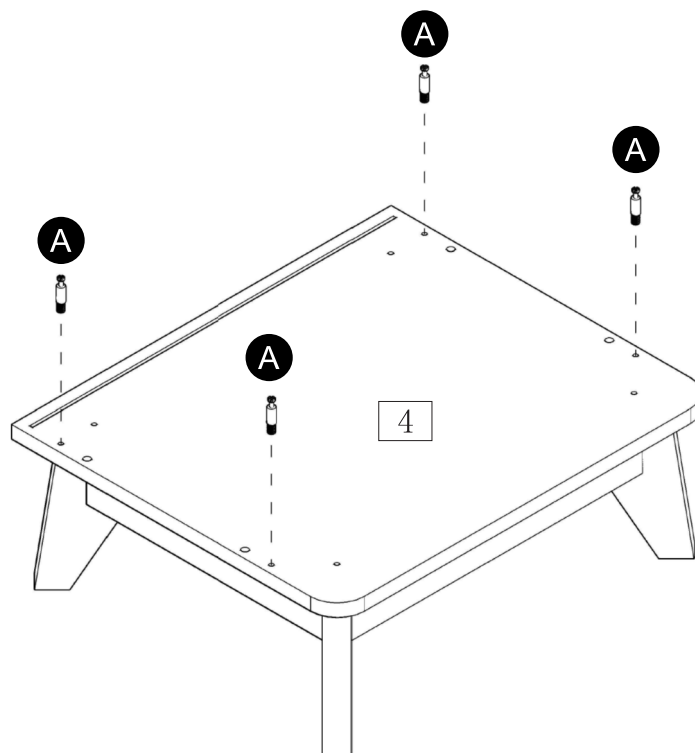
Step 6



Turn over the assembled base, use screw (D) to attach it with part (4) and lock it

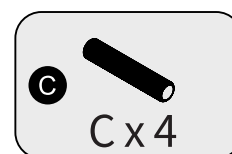
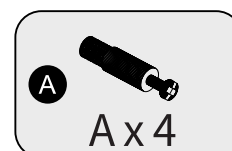
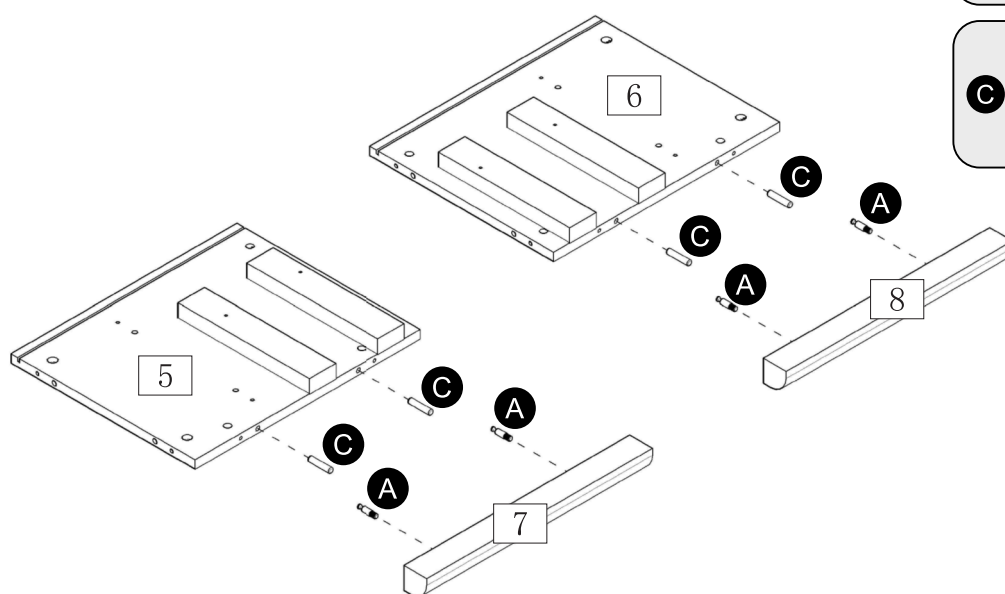
Assembly instructions

Step 7



Insert Cam Bolt (A) to part (4)

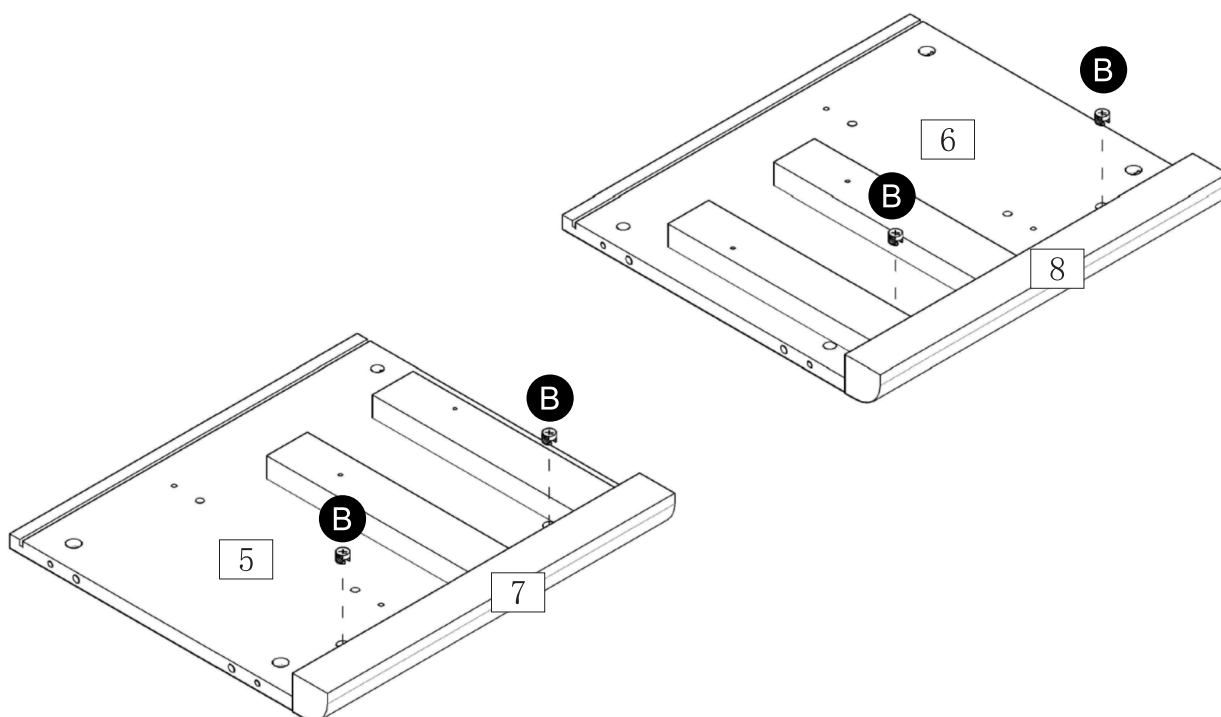
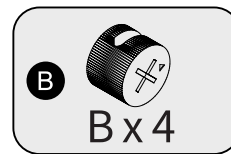
Step 8



Insert Cam Bolt (A) to part (7.8)
Insert wooden Dowel (C) to part (5.6)

Assembly instructions

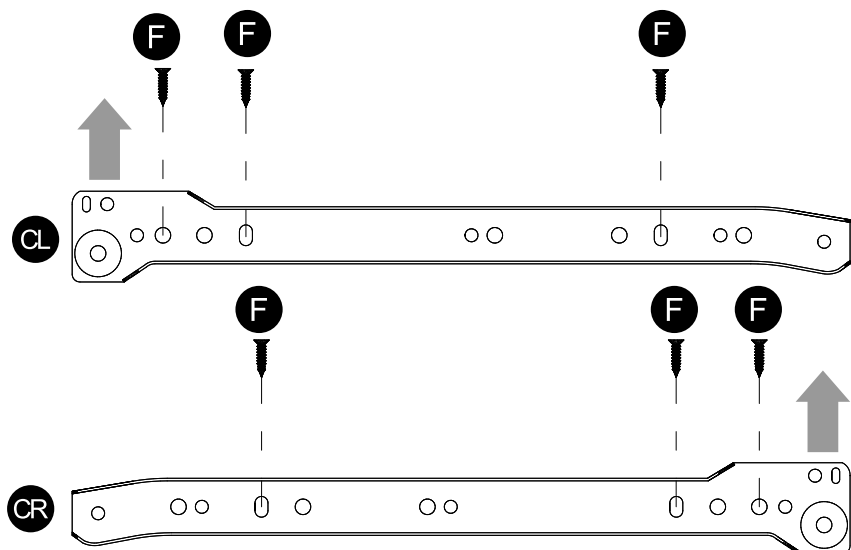
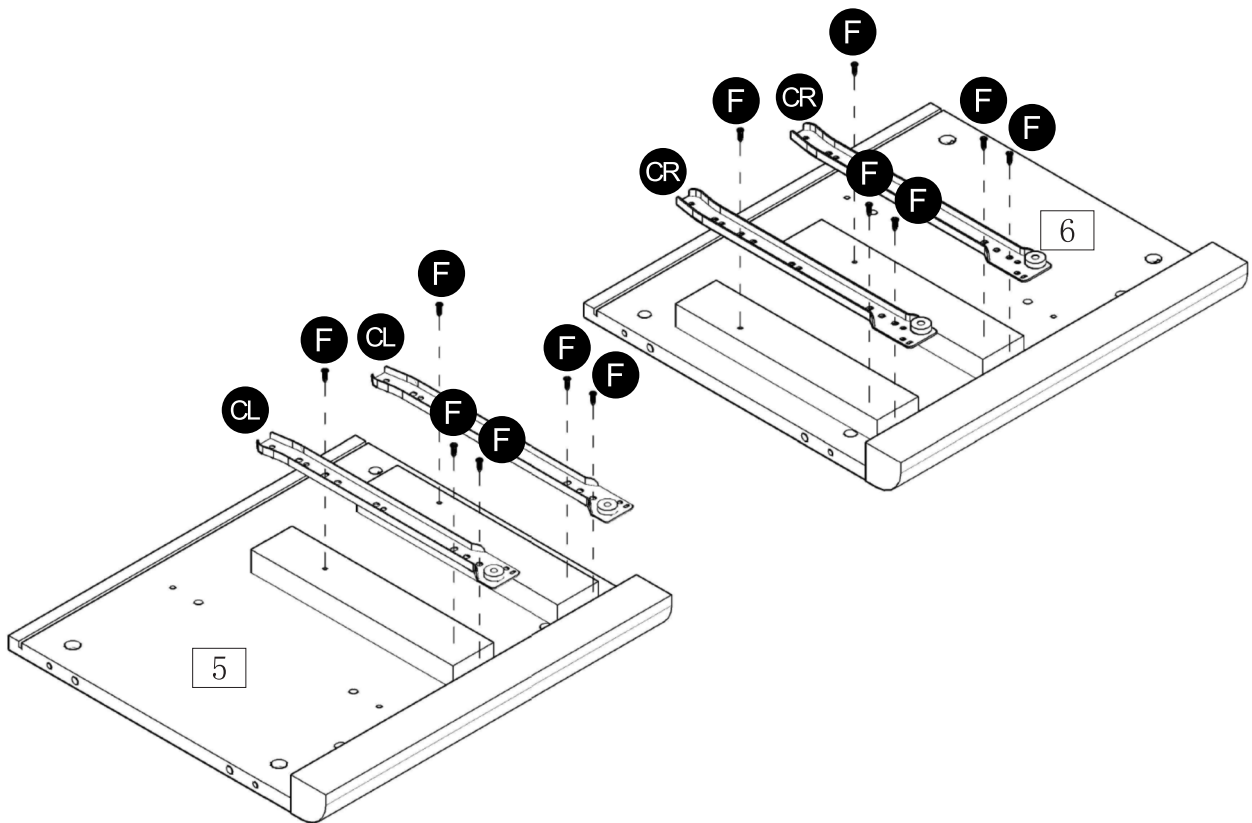
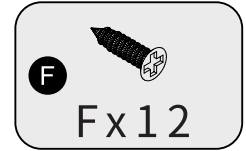
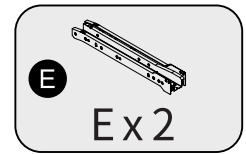
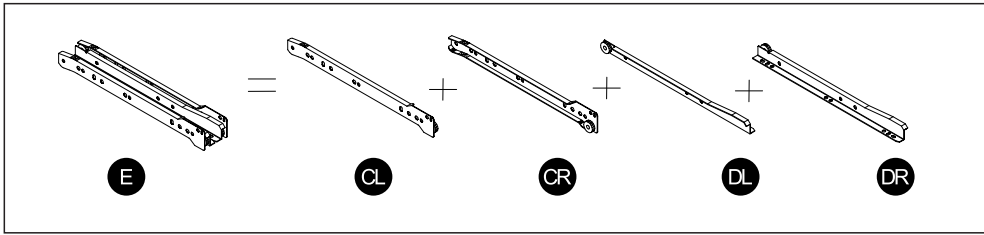
Step 9



Use Cam Lock (B) to attach part (7.8) with part (5.6) , then lock it

Assembly instructions

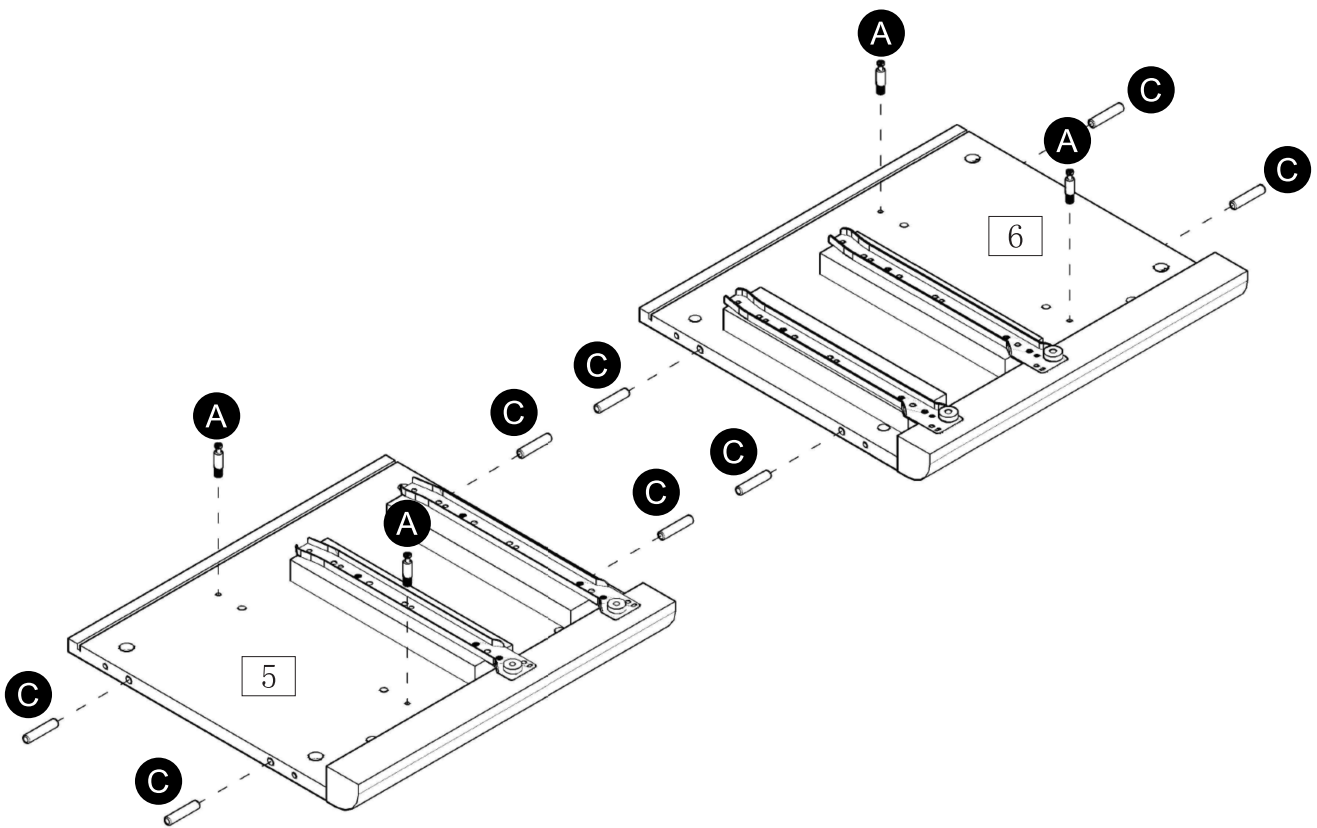
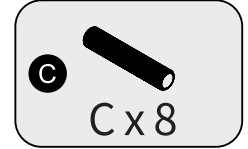
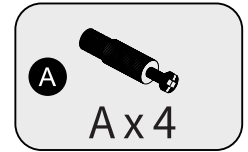
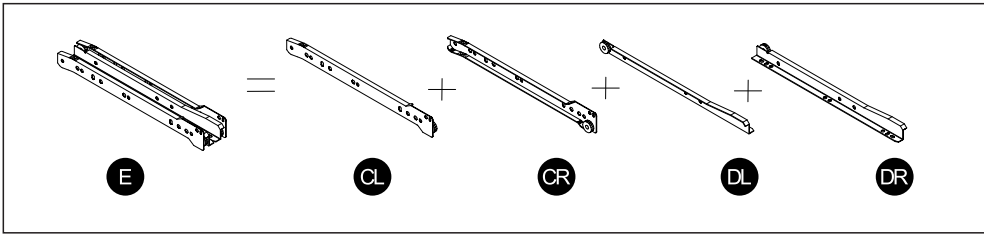
Step 10



Use the screw (F) to install the left part of rail (CL) on the left panel (5)
Use the screw (F) to install the right part of rail (CR) on the right panel (6)

Assembly instructions

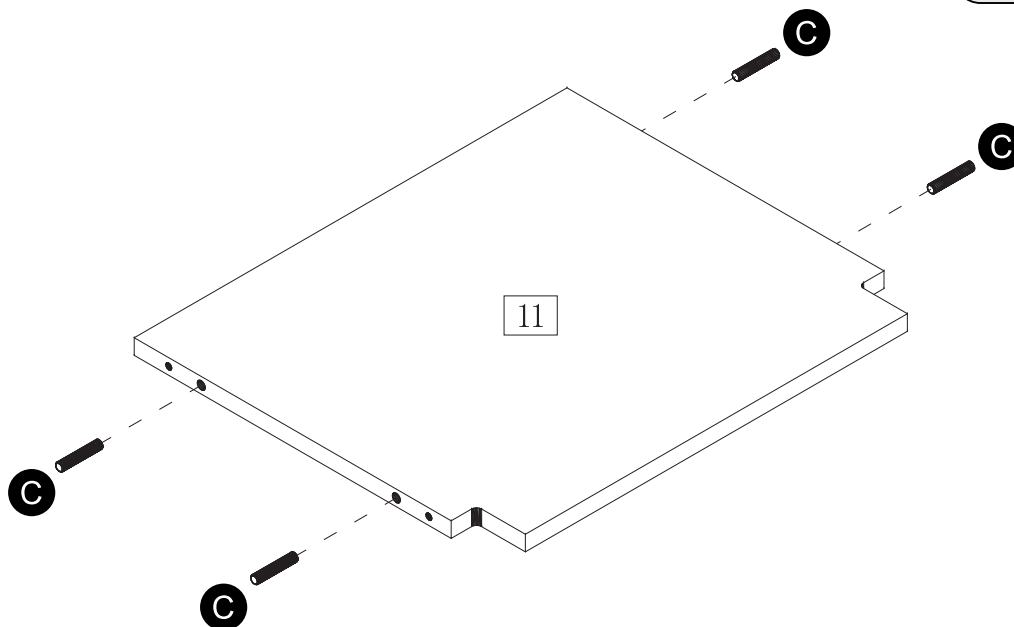
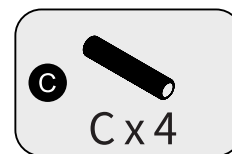
Step 11



Install Cam bolt(A)and wooden Dowel (C) on part (5.6)

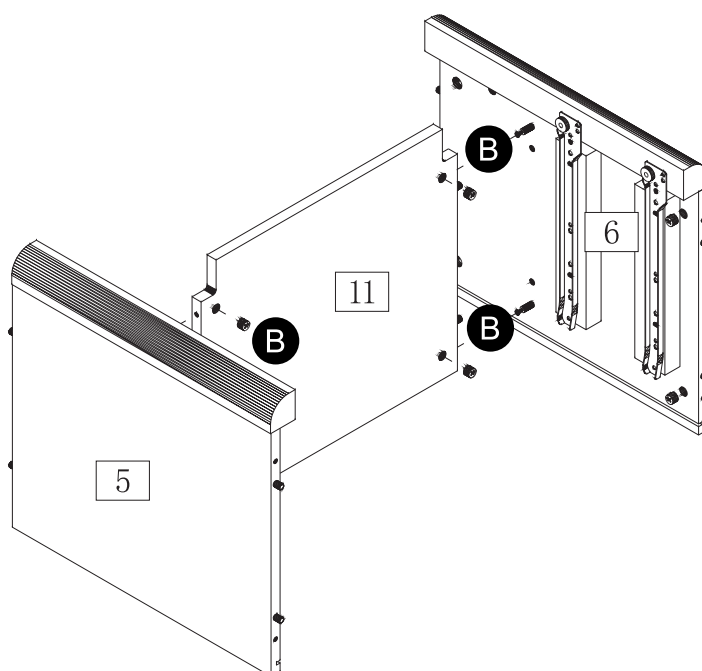
Assembly instructions

Step 12



Install Wooden Dowel (C) to the part (11)

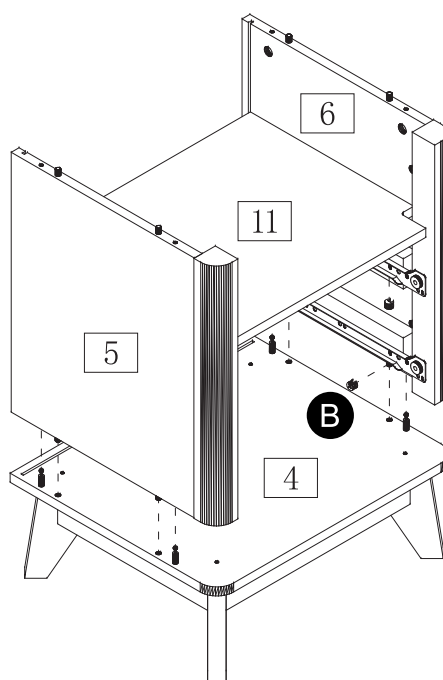
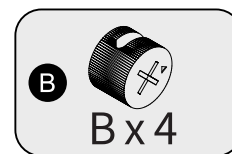
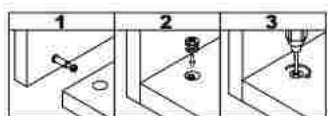
Step 13



Insert Cam Lock (B) to part (11) , attach part (11) to part (5.6) , then lock it

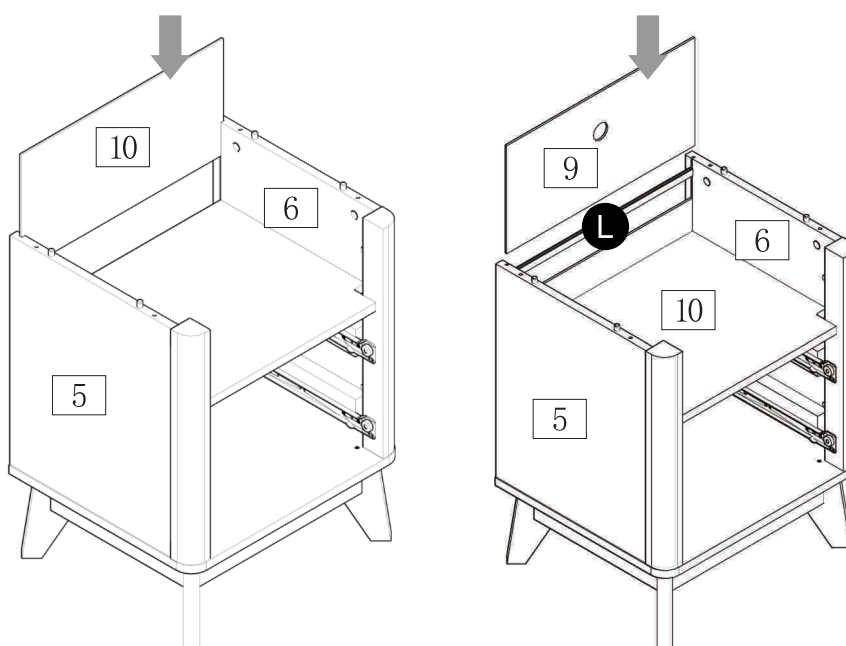
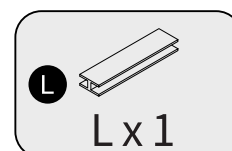
Assembly instructions

Step 14



Insert Cam Lock (B) to part (5.6) ,attach part (4) to part (5.6) ,then lock it

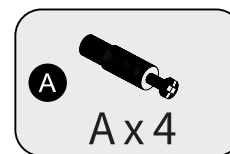
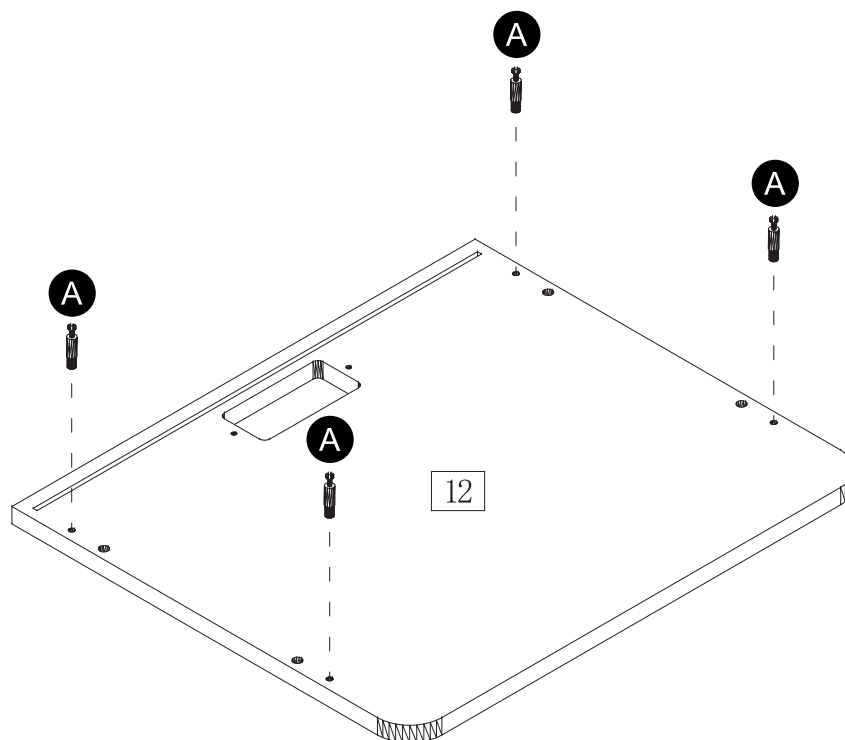
Step 15



Slide part (10) in part (5.6) .insert part (L) in part (10)
Insert part (9) in part (5.6) , then slide it in part (L)

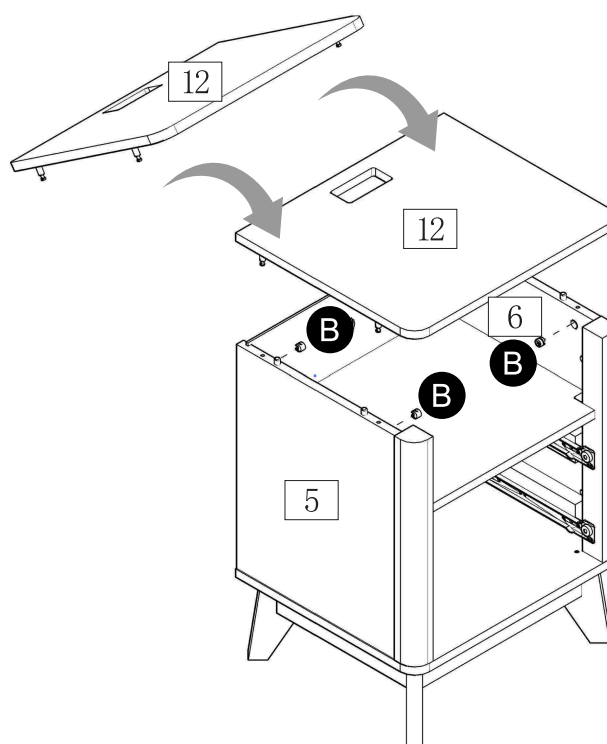
Assembly instructions

Step 16



Install Cam Bolt(A)to part(12)

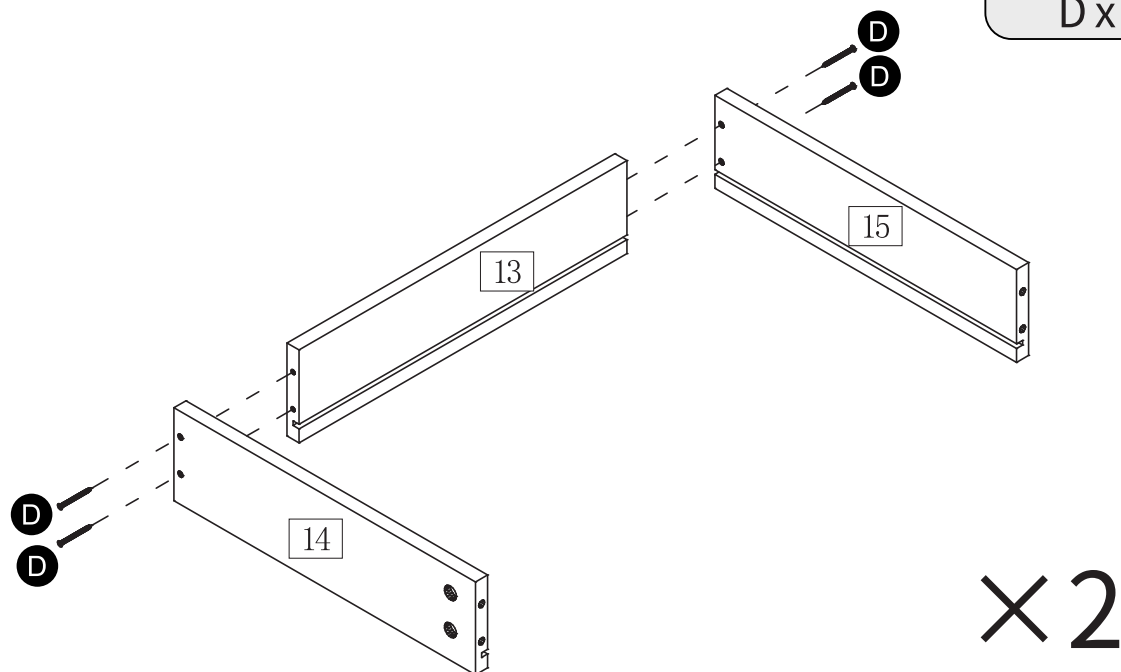
Step 17



Use Cam lock(B)to attach part(12)to part(5.6),then lock it

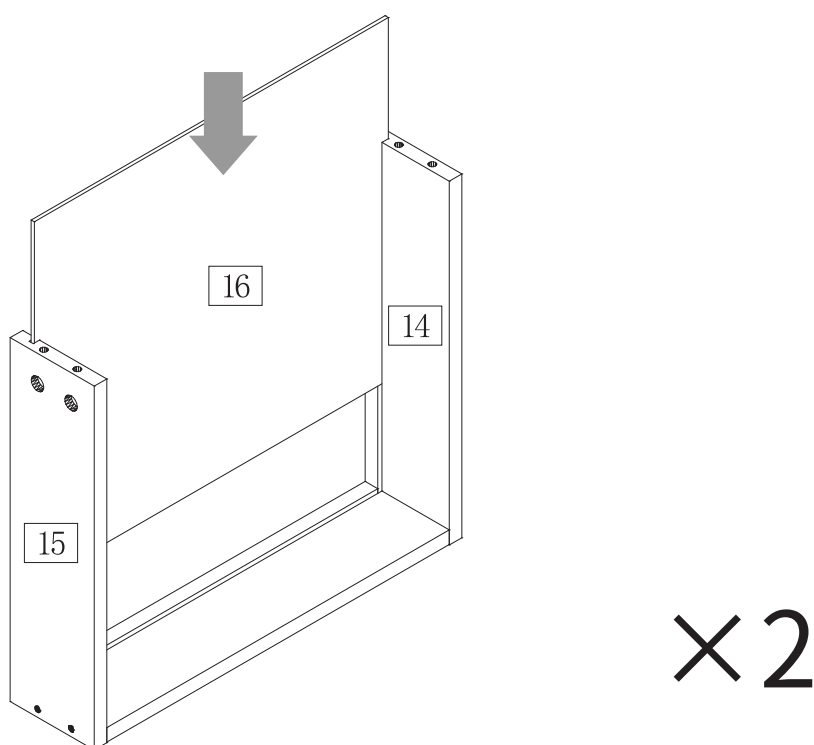
Assembly instructions

Step 18



Use Screw(D)to attach part(13)to part(14.15),then lock it

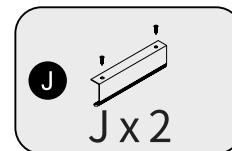
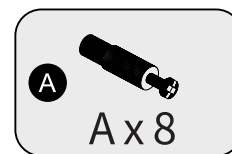
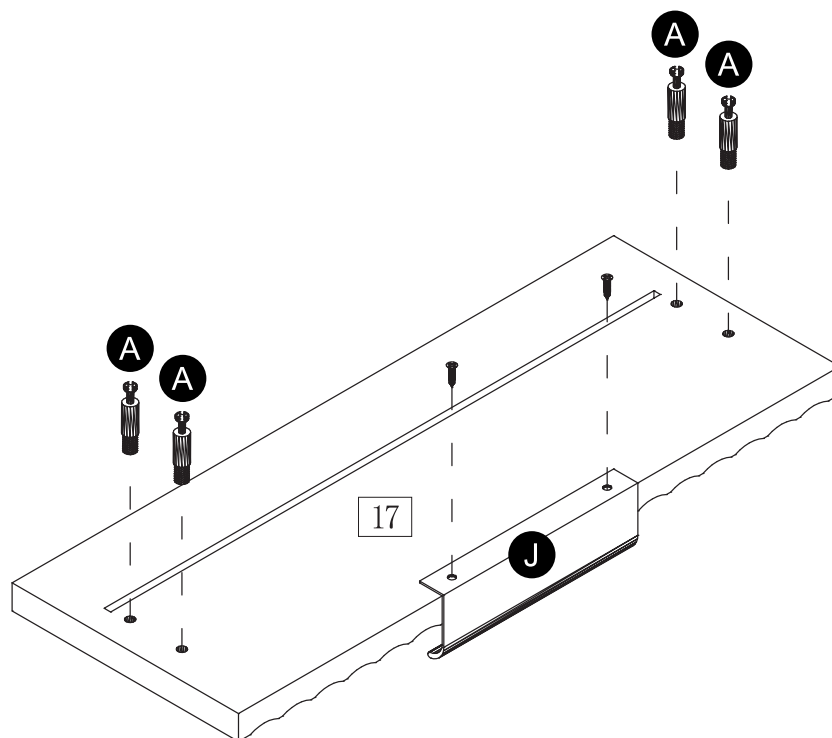
Step 19



Slide panel(16)into the grooves as per diagram.

Assembly instructions

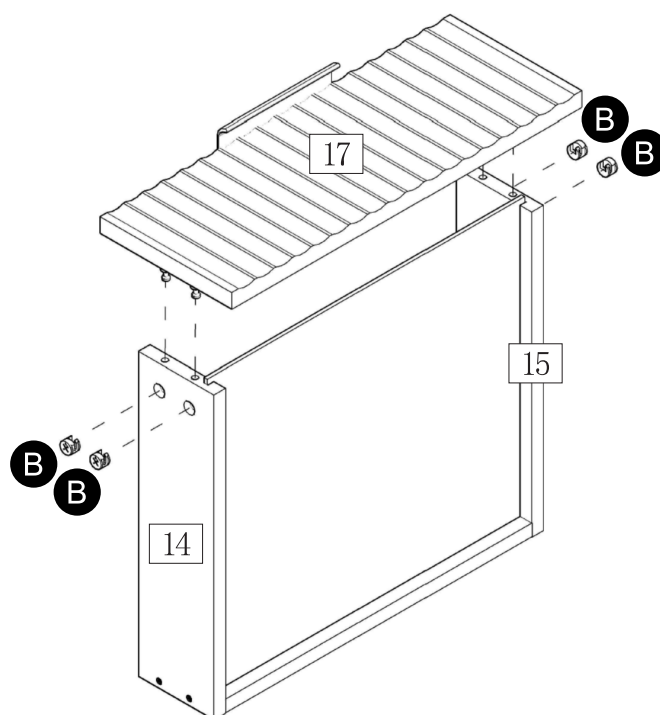
Step 20



×2

Install the Cam bolt(A) and handle(J) on the part(17)

Step 21

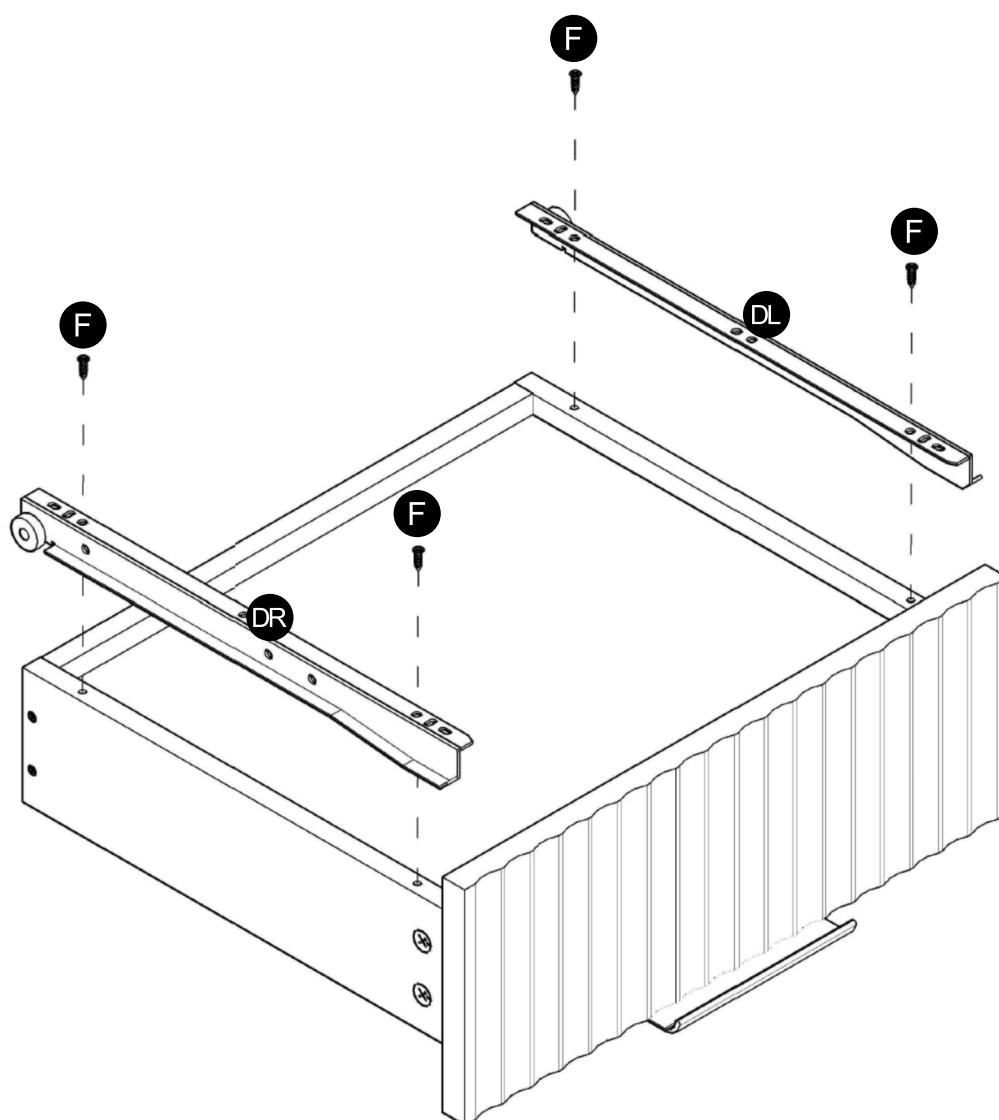
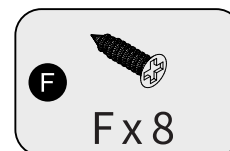
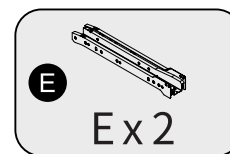
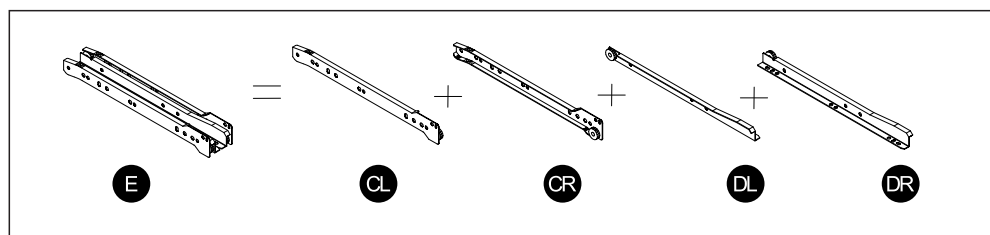


×2

Use Cam lock (B) to attach part (14.15) to part (17) , then lock it

Assembly instructions

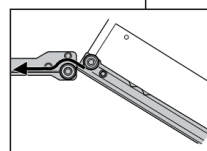
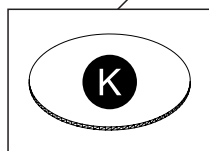
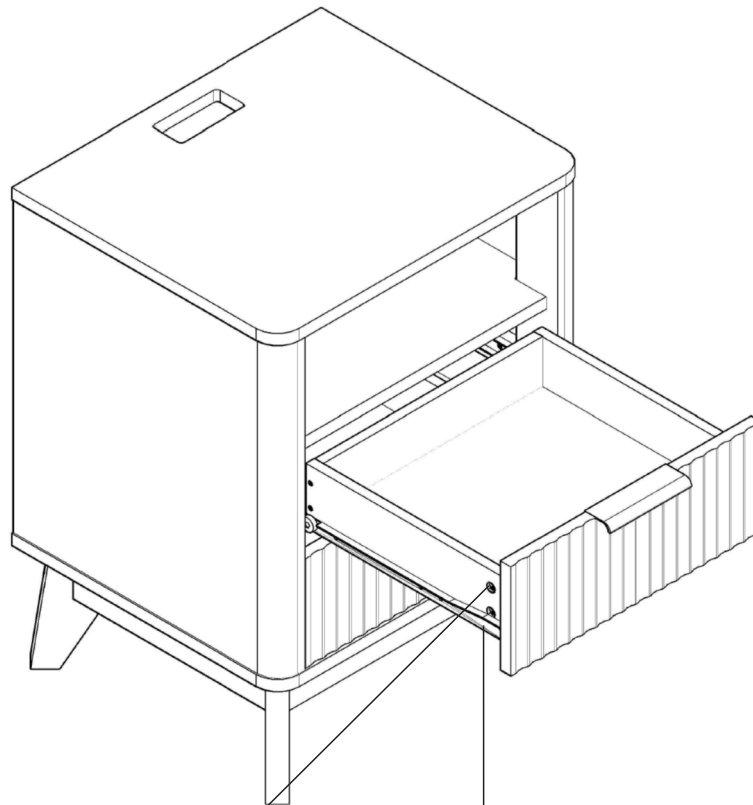
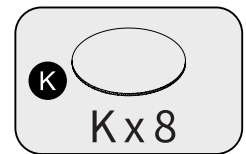
Step 22



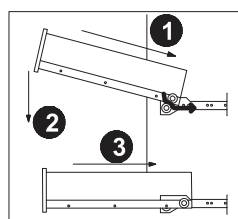
Use Screw(F) to install the part(DL,DR) on the assembled drawer, pay attention to the difference of right and left

Assembly instructions

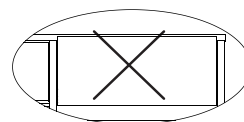
Step 23



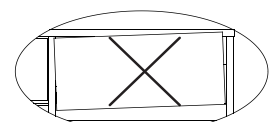
1. Please ensure that you have matched the wheels on BOTH sides of the drawer with the wheels on rails installed BEFORE push in the drawer.



2. If the following occurs, redo the first two steps



(both wheel are off the rails)

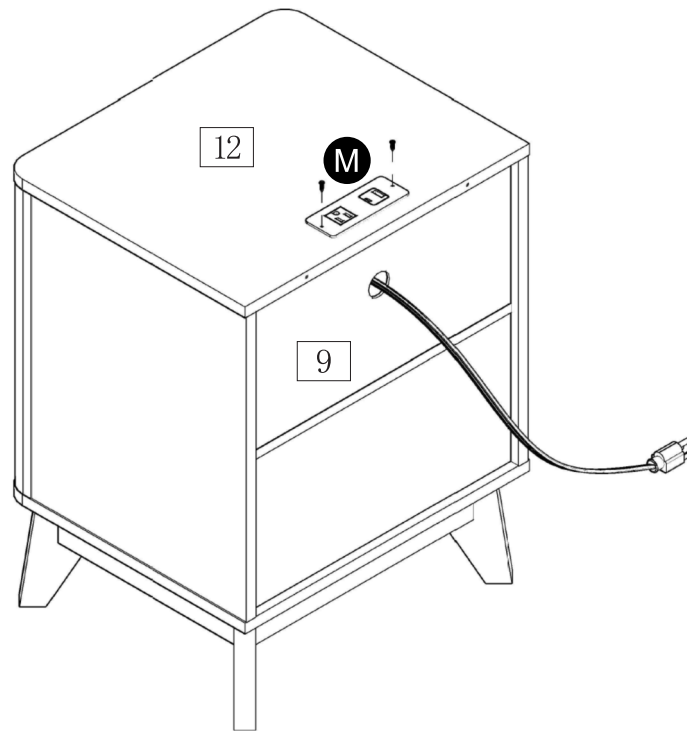
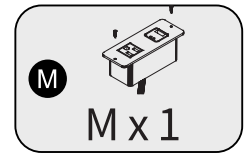


(one wheel is off the rail)

Use sticker(k) to cover screw holes. put on the drawer carbe frustrating if you do it wrong. So, take your time and follow the steps above.

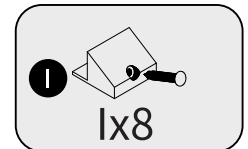
Assembly instructions

Step 24

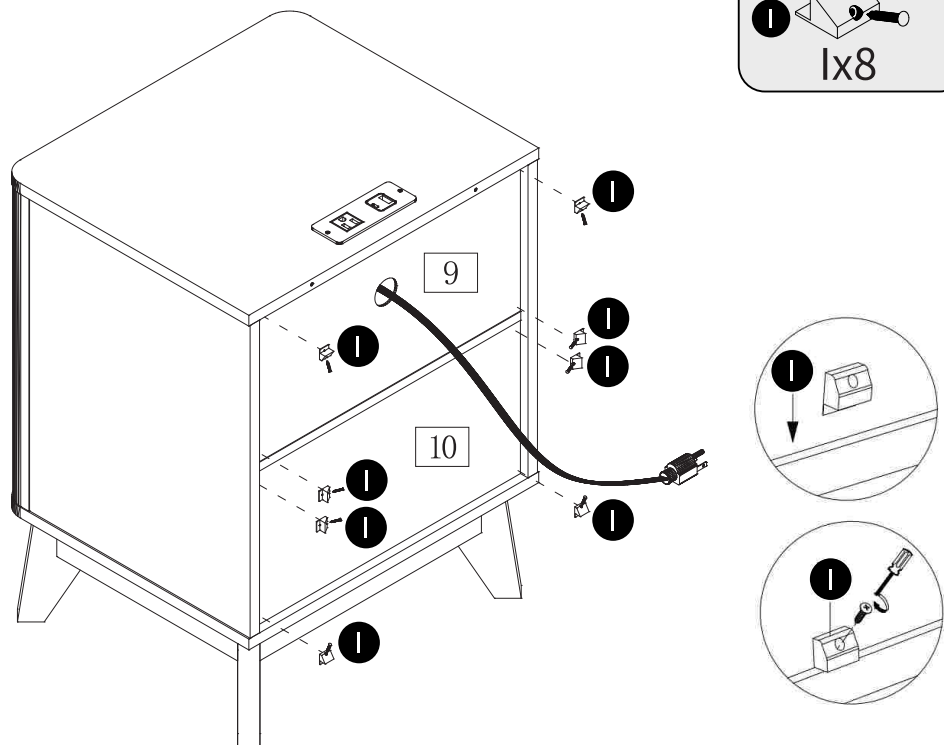


Install Socket(M).cross plug to part(12)and part(9).
Use screw to attach Socket(M)and part(12).then lock it

Step 25



**Assembly
complete**



Install the Back Panel Stiffener(I).then lock it

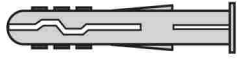
A Guide to Wall Mounting & Fixings

Important note:



Important: when drilling into walls always check that there are no hidden wires or pipes etc.

If plastic wall plugs (rawl plugs) are supplied with your product, e.g.:




–these are only suitable for use in masonry walls.

If you are in any doubt about the correct wall plugs for your wall, seek professional advice.

Failure of the product due to using the incorrect fixings is the responsibility of the installer.

Make sure that the screws and wall plugs being used are suitable for **supporting your unit**. **Consult a qualified tradesperson if you are unsure.**

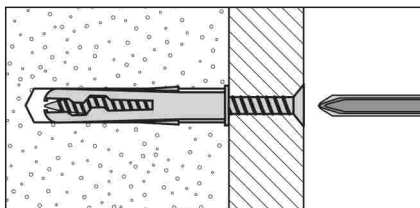
Hints:

- 1: General rule:  always use a larger screw and wall plug if you are not sure.
- 2: Ensure you use the recommended drill bit to match the wall plug and hole size.
- 3: Ensure you drill the hole horizontally; do not force the drill or enlarge the hole.
- 4: Take extra care when drilling high walls, ceilings and ceramic tiles. Ensure wall plugs are inserted beyond the thickness of the ceramic tiles to avoid the tiles splitting or cracking.
- 5: Ensure wall plugs are well fitted and are a tight fit in the drilled hole.

Types of walls

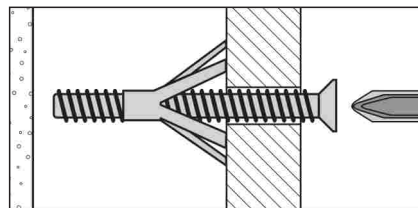
You can use one of the following types of wall plug if your walls are made of brick breeze block, concrete, stone or wood.

No.1 "General Purpose" wall plug



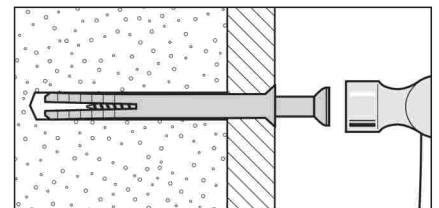
Generally aerated blocks should not be used to support heavy loads, use a specialist fitting in this case. For light loads, general purpose wall plugs can be used.

No.3 "Cavity Fixing" wall plug



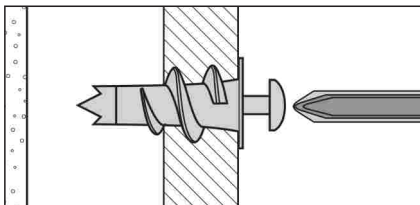
For use with plasterboard partitions or hollow wooden doors.

No.5 "Hammer Fixing" wall plug



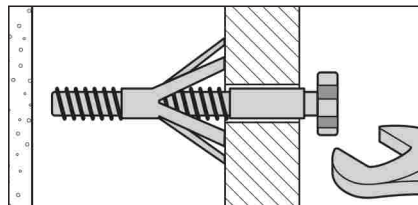
For use with walls stuck with plasterboard. The hammer fixing allows it to be fixed to the wall rather than the plasterboard. Always check the fixing is secure to the retaining wall.

No.2 "Plasterboard" wall plug



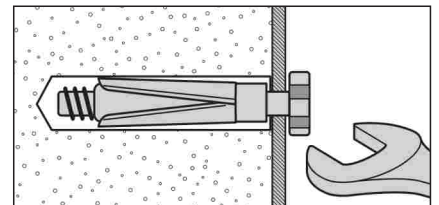
For use when attaching light loads onto plasterboard partitions.

No.4 "Cavity Fixing - Heavy Duty" wall plug



For use when fitting or supporting heavy loads such as shelving, wall cabinets and coat racks.

No.6 "Shield Anchor" wall plug - heavy loads



For use with heavier loads such as TV and HiFi speakers and satellite dishes etc.



Care & Maintenance

Safety: always check the fitting and location to ensure your safety in and around the home

Fitting: from time to time check the fitting to ensure the wall plugs or screws do not become loose