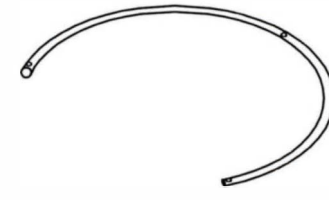
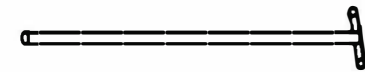


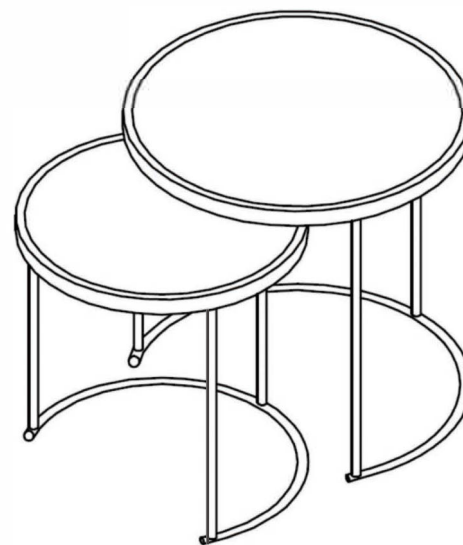
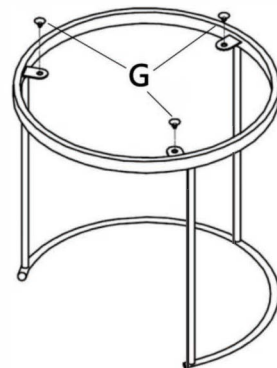
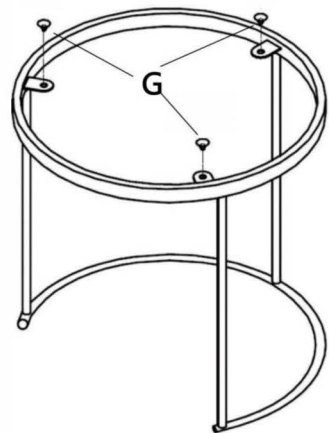
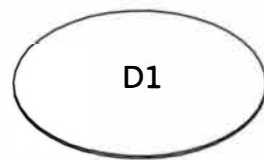
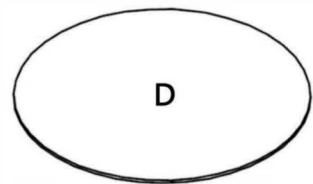
A x 1
A1 x 1



B x 1
B1 x 1



C x 3
C1 x 3



D x 1
D1 x 1



1/4 x 32mm E x 6



H x 6



1/4 x 12mm F x 12



I x 1



G x 6