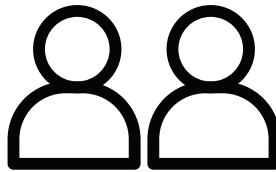


# ASSEMBLY INSTRUCTION

Please carefully review these instructions and retain them for future reference. Consult the parts inventory for assistance and verify that you have all components before beginning assembly. When assembling, place all parts on a soft, clean, and flat surface, such as a carpet, to avoid scratching. Store all hardware parts out of the reach of children.



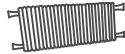






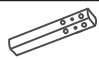
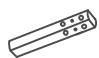




DO NOT USE POWER TOOLS, AS THIS COULD LEAD TO BOLTS BEING STRIPPED OR OVER-TIGHTENED.



USE 2 PEOPLE FOR INSTALLATION



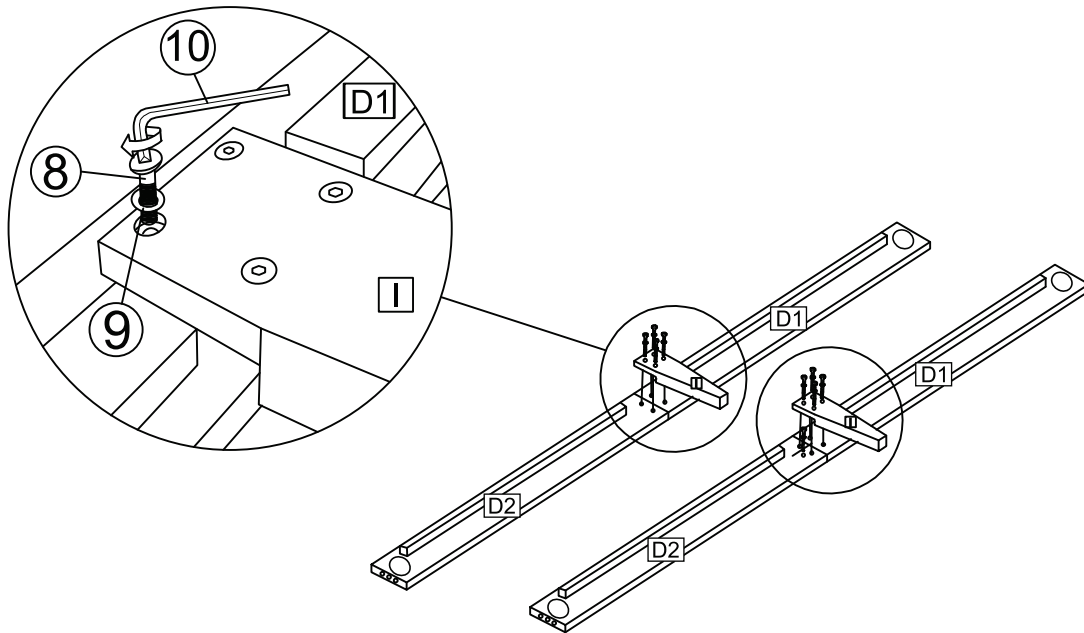
REQUIRED TOOL NOT INCLUDED

NO	PART LIST	QTY
A	HEADBOARD 	1
B1	HEADBOARD LEG - LEFT 	1
B2	HEADBOARD LEG - RIGHT 	1
C	CENTER LONG SUPPORT 	2
D1	SIDE RAIL 	2
D2	SIDE RAIL 	2
E	FOOTBOARD RAIL 	1
F1	FOOTBOARD LEG - LEFT 	1
F2	FOOTBOARD LEG - RIGHT 	1
G	SUPPORT LEG 	4
H	SLAT 	2
I	SIDE RAIL SUPPORT 	2
J	HEADBOARD RAIL 	1

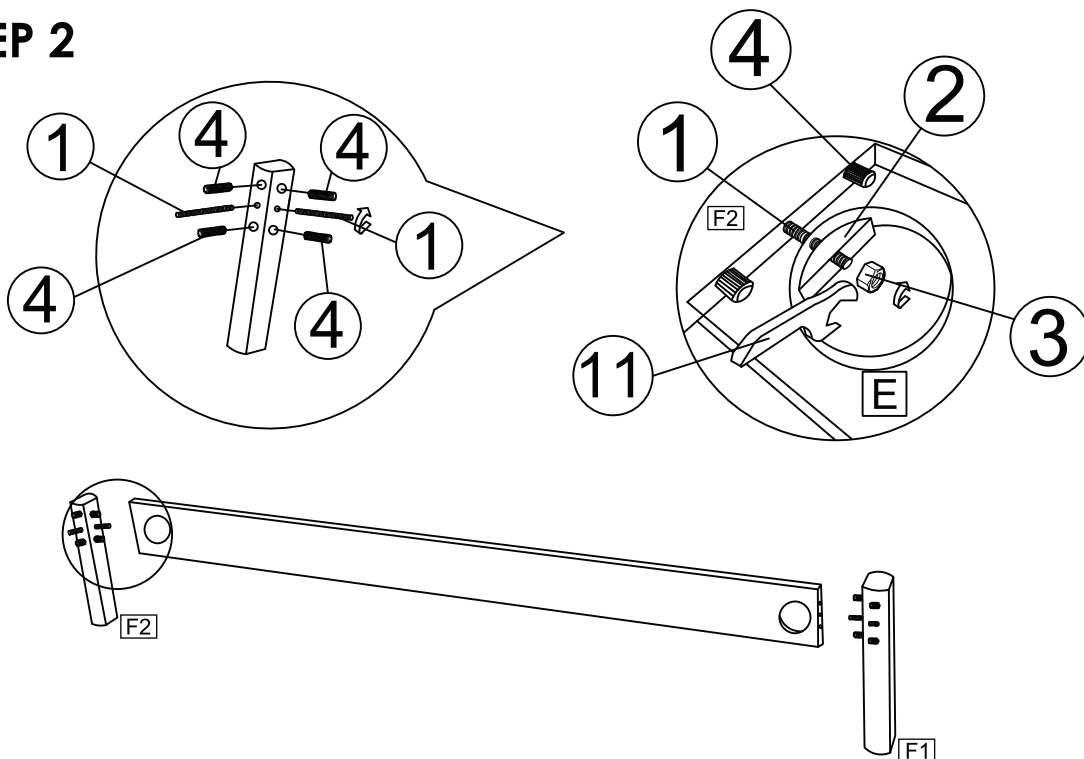
NO	HARDWARE LIST	QTY
1	JCBB M8x65 	12
2	BEND WASHER 	12
3	HEX NUT 	12
4	WOOD DOWEL 	14
5	JCBB M8x60 	4
6	ADJUSTER 	4
7	CSK SCREW 	8
8	JCBC M6x35 	8
9	SPRING WASHER 	8
10	ALLEN KEY M4 	1
11	SPANNER M8 	1
12	ALLEN KEY M5 	1

# ASSEMBLY INSTRUCTION

## STEP 1

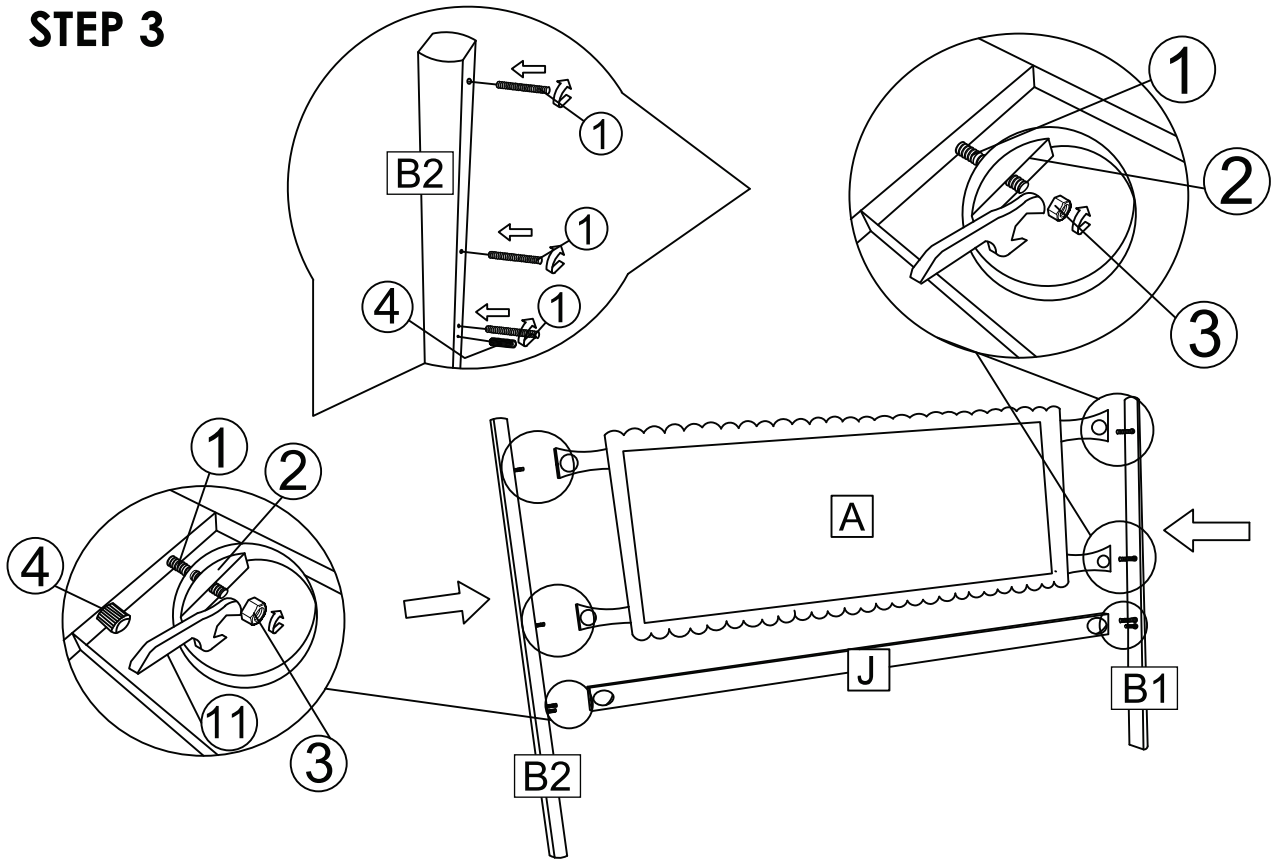


## STEP 2

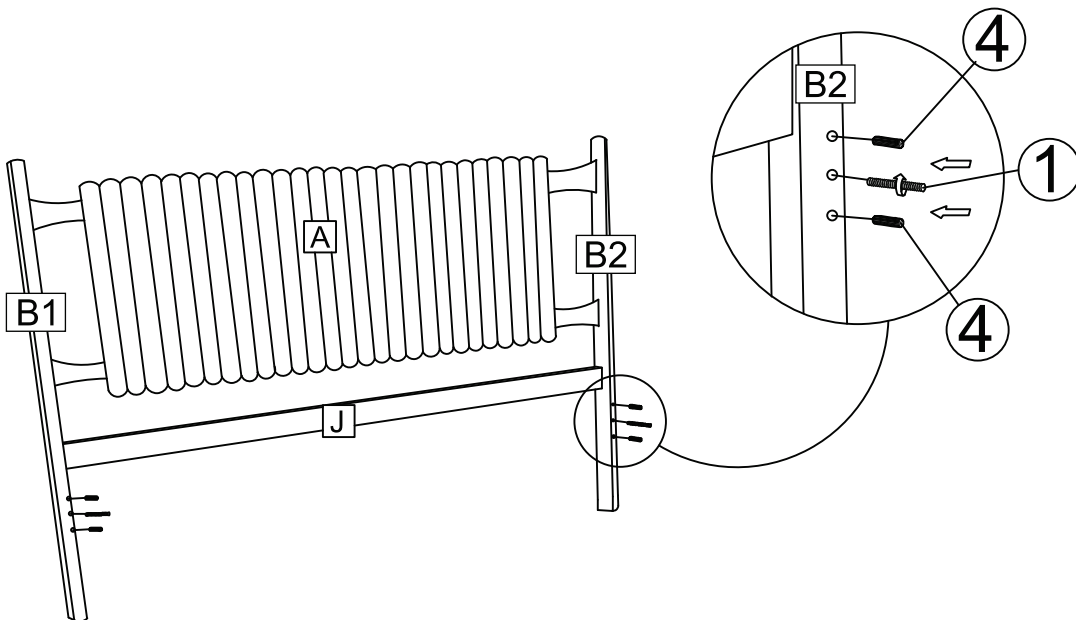


# ASSEMBLY INSTRUCTION

## STEP 3

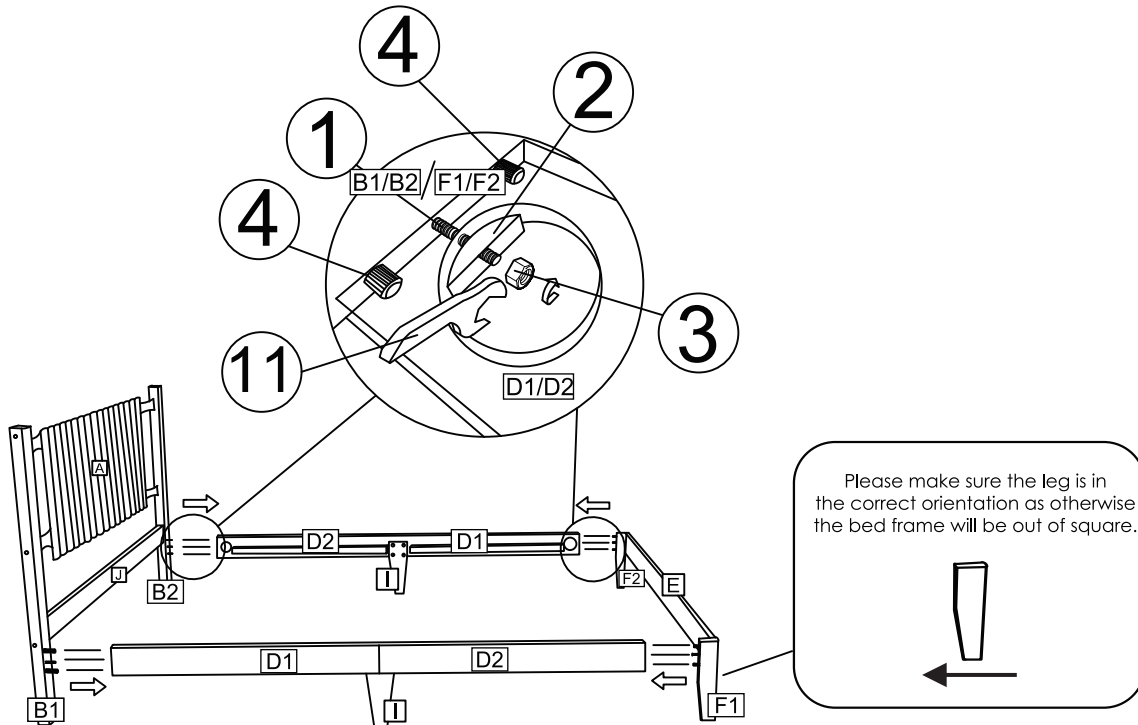


## STEP 4

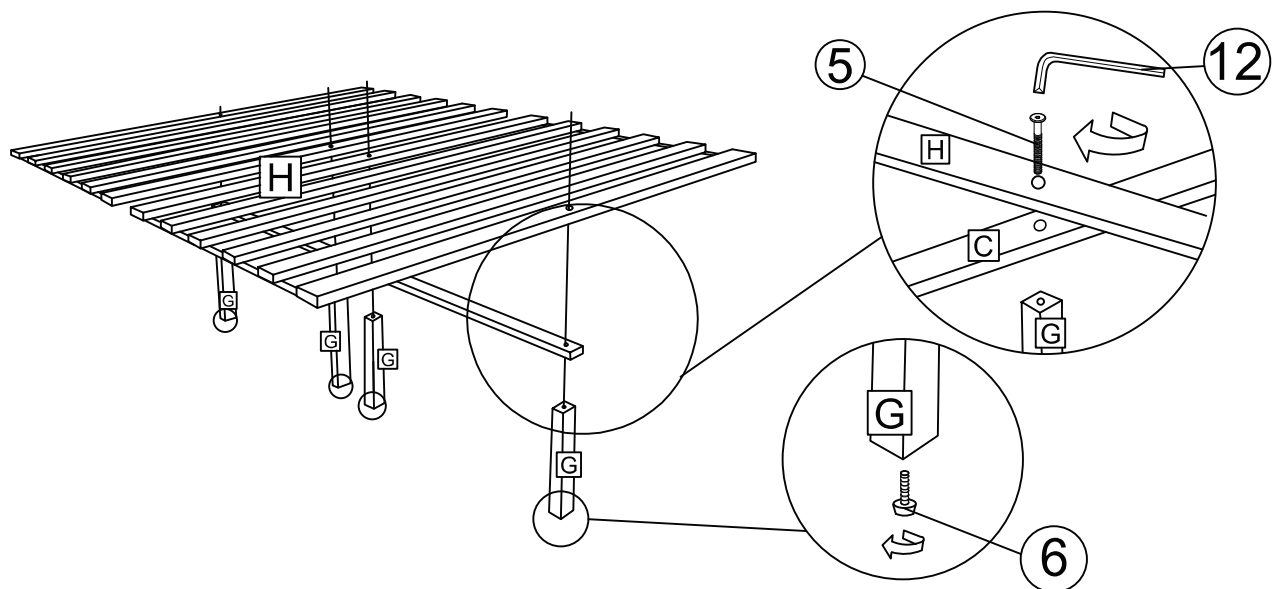


# ASSEMBLY INSTRUCTION

## STEP 5



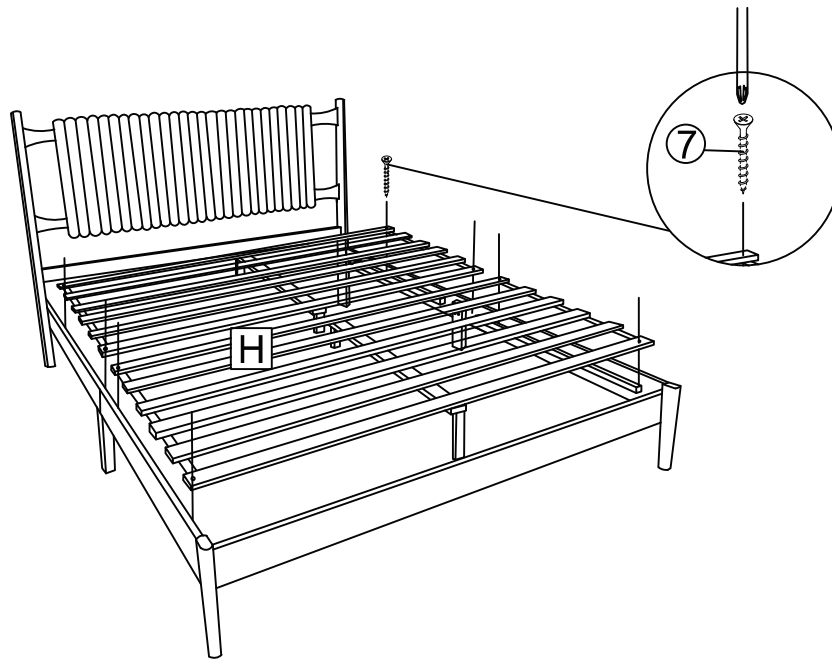
## STEP 6



# ASSEMBLY INSTRUCTION

---

## STEP 7



---

## STEP 8



COMPLETED ASSEMBLY