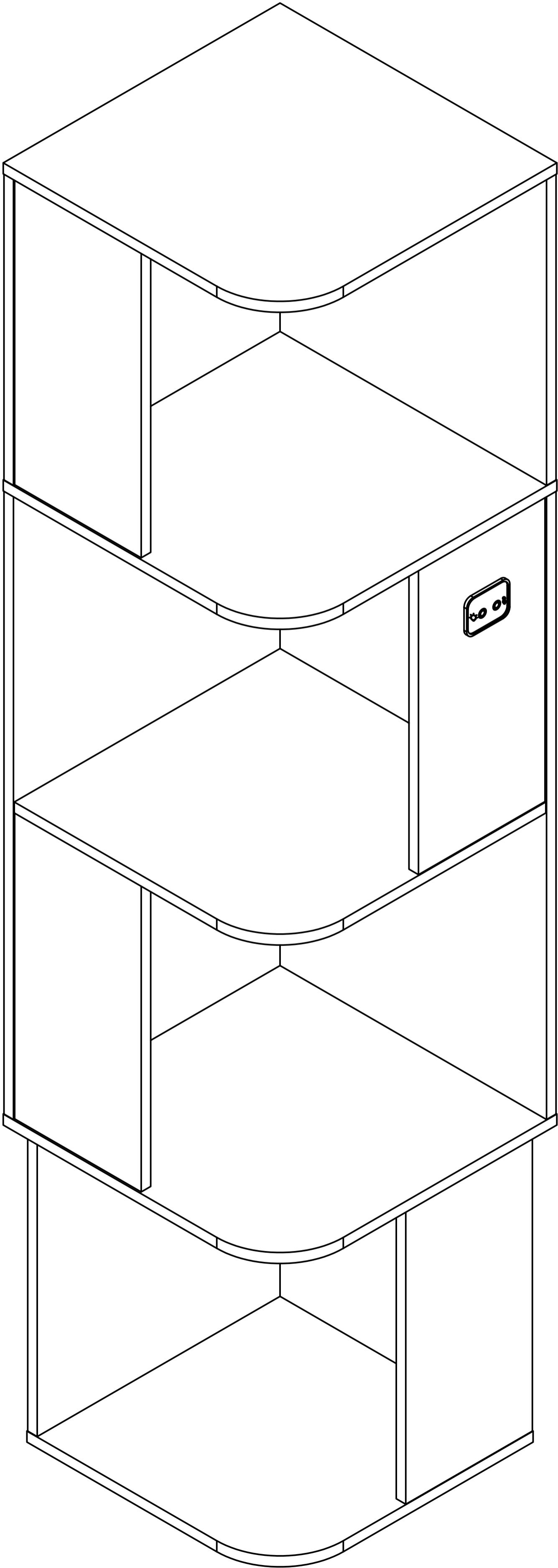
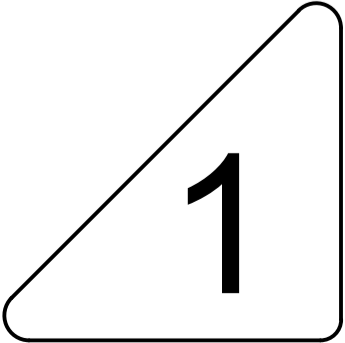
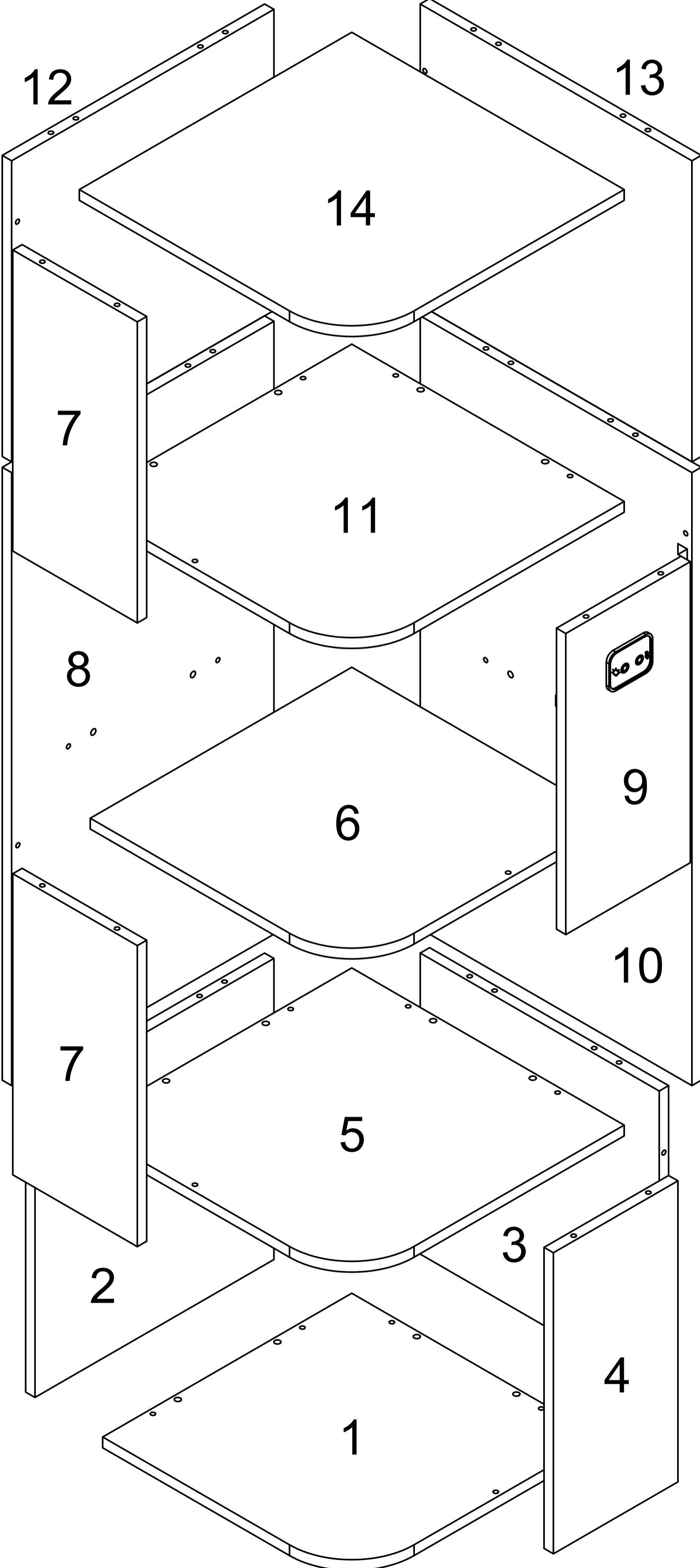


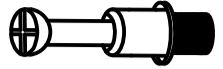




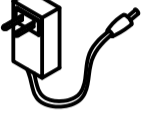

Product Installation Instructions



Product structure decomposition

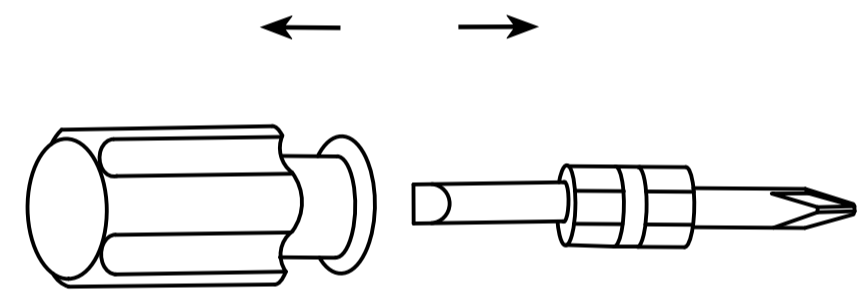
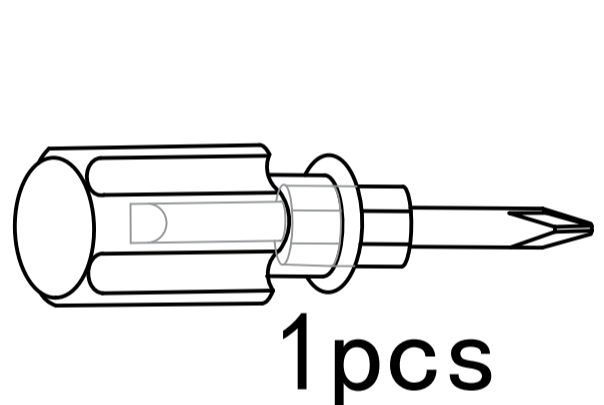


Accessories list

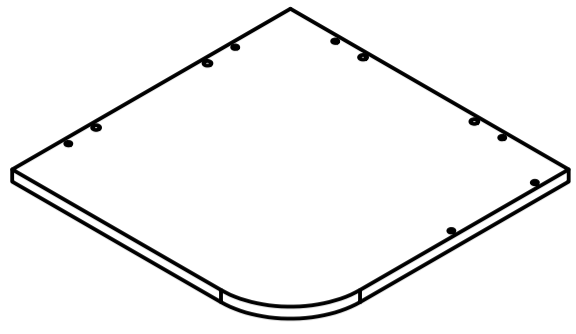
A		Two in one screw (6x28mm)	58pcs +2pcs
B		Two in one nut (10x12mm)	58pcs +3pcs
C		Wood Chipping (6x30mm)	32pcs +2pcs
D		Non-slip pads(36x36mm)	4pcs
E		power cord extension cord	2pcs
F		AC/DC Adapter (12V=2.0A)	1pcs
G		Wire Clamp	2pcs

Anti tipping hardware

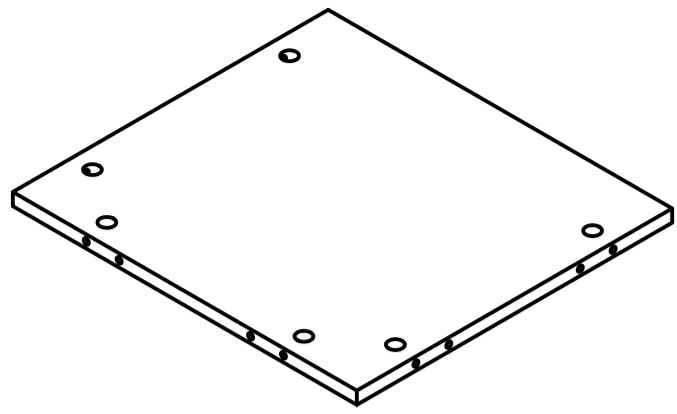
- H
-  x2
 -  x4
 -  x2
 -  (3.5x14mm) x2
 -  x2 (4x45mm)



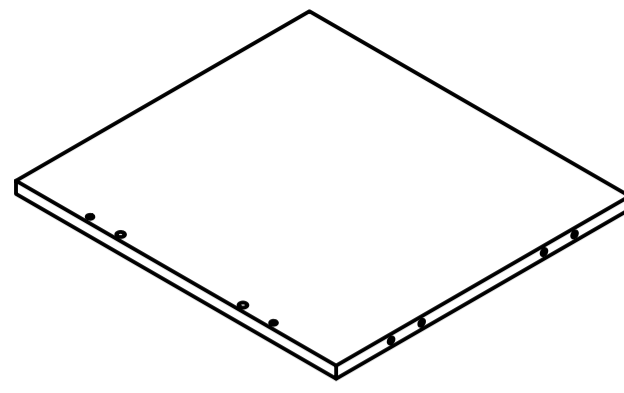
Double-head screwdriver, use as required



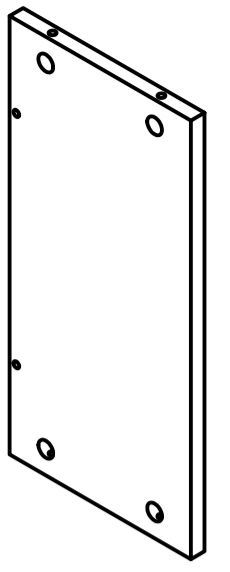
1x1



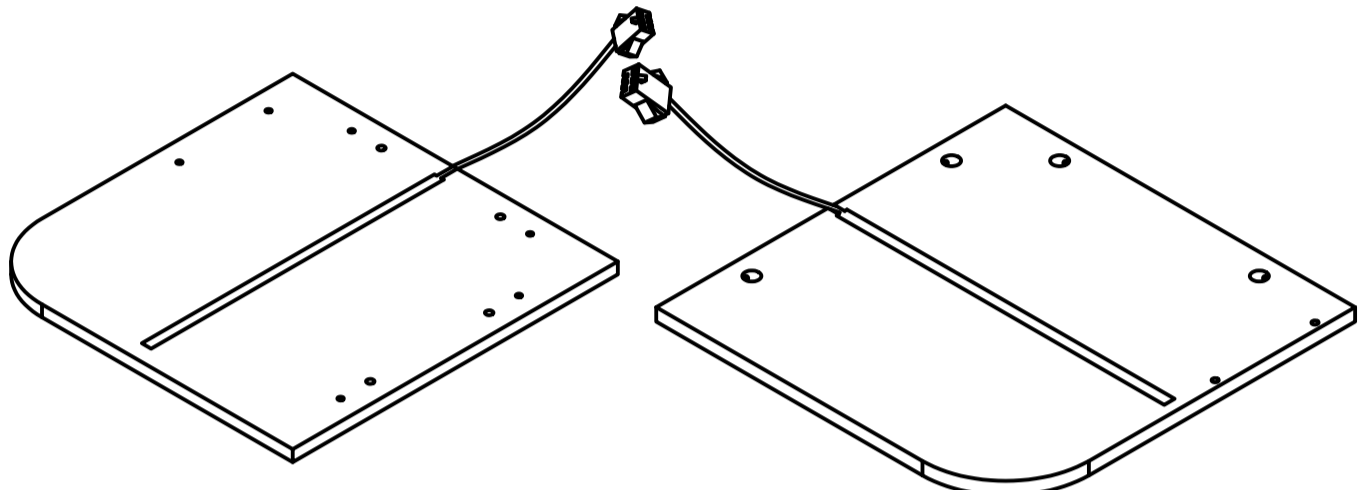
2x1



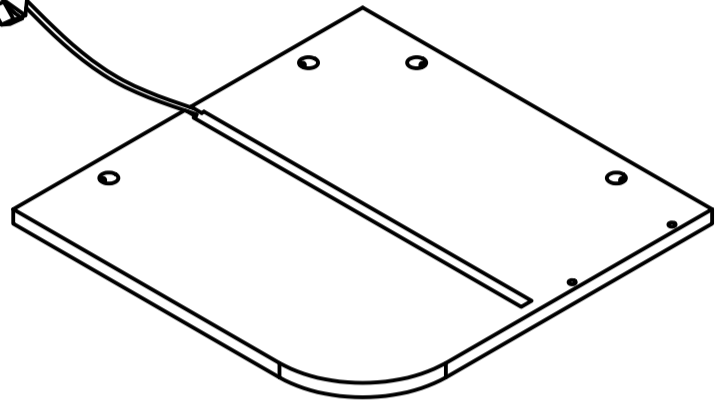
3x1



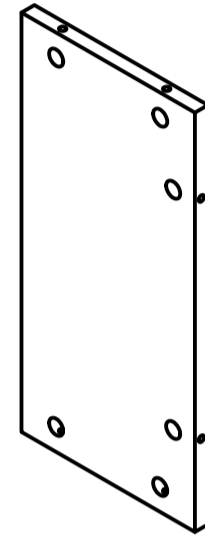
4x1



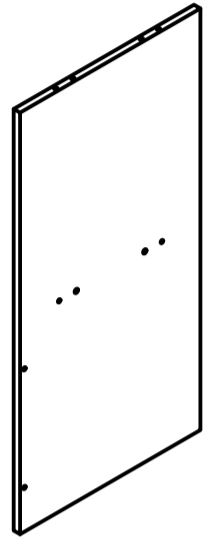
5x1



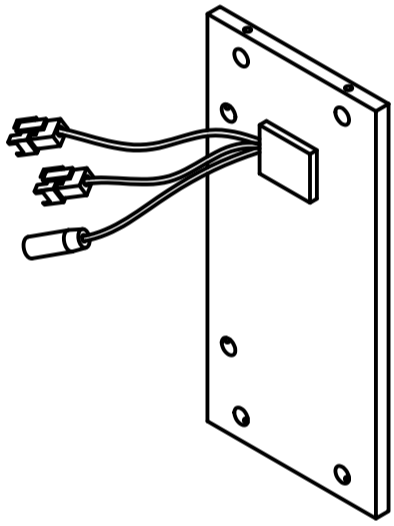
6x1



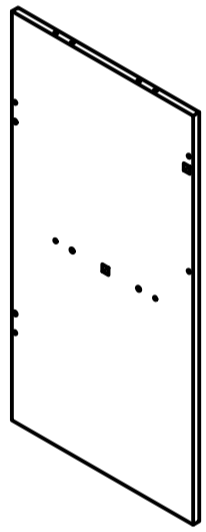
7x2



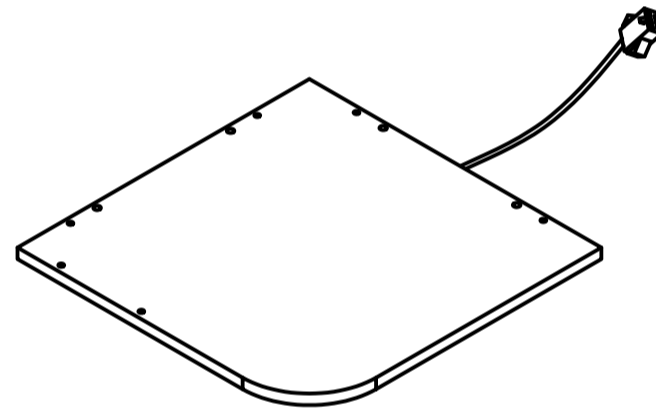
8x1



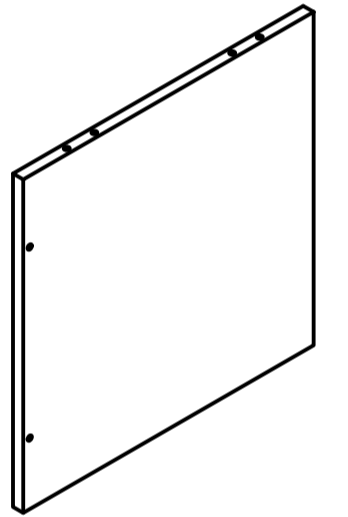
9x1



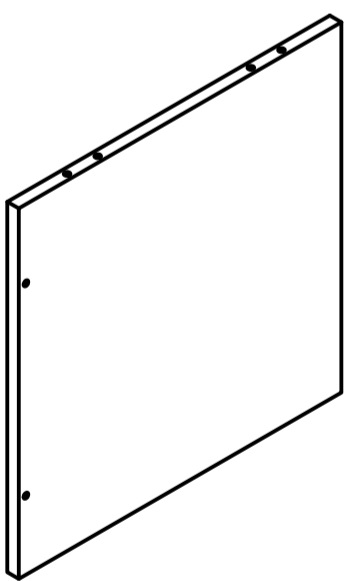
10x1



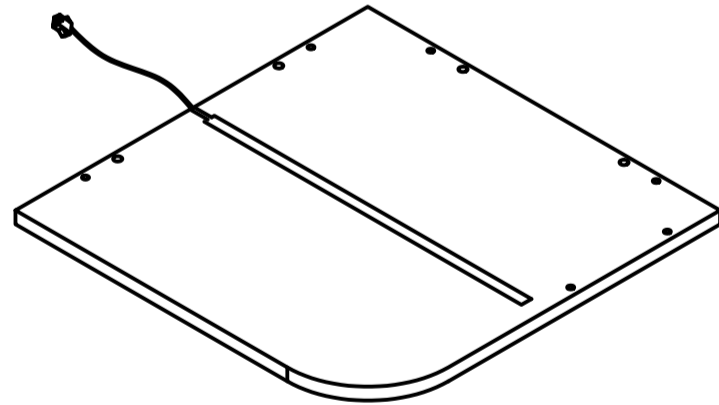
11x1



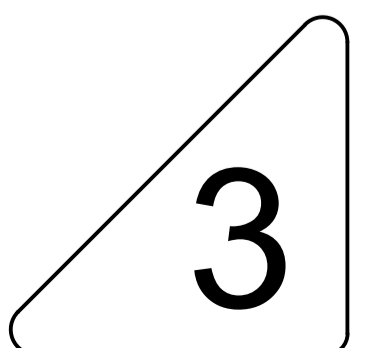
12x1



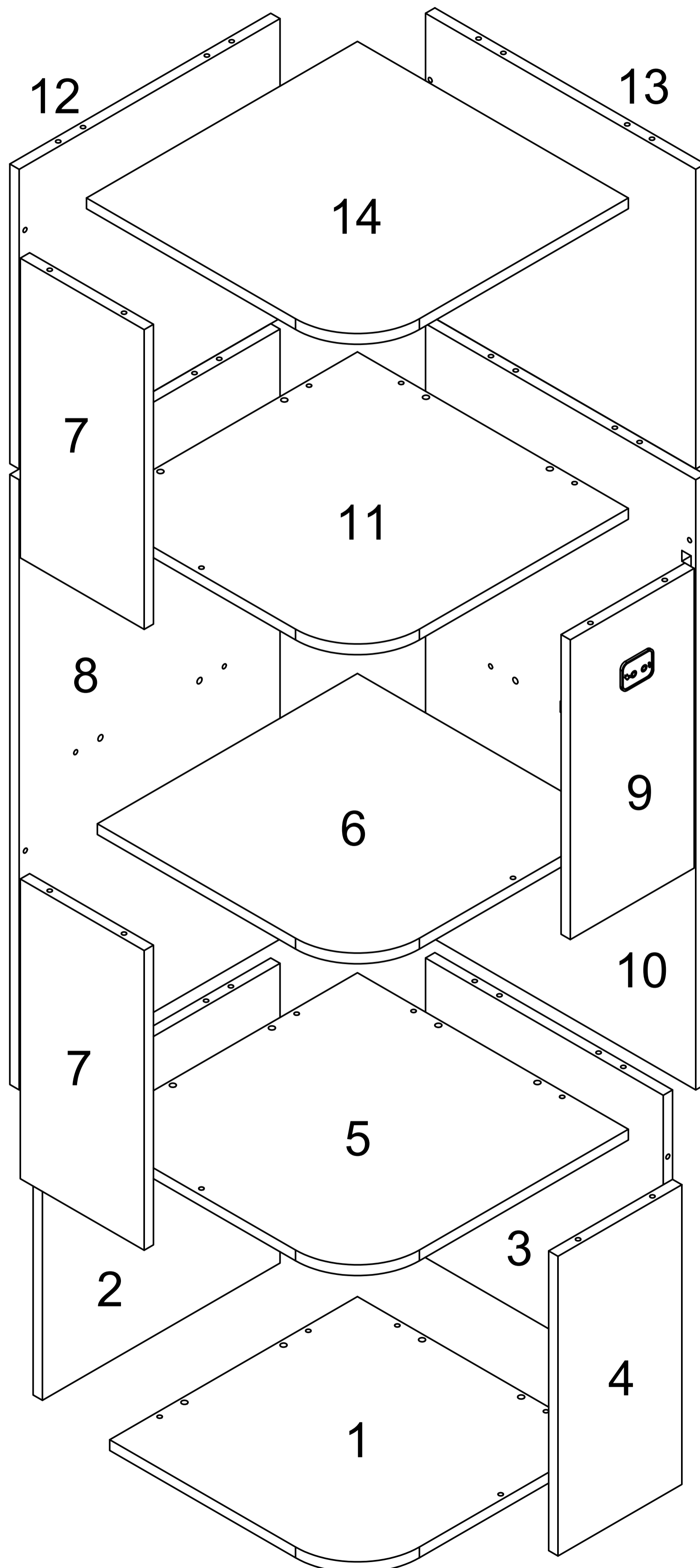
13x1



14x1

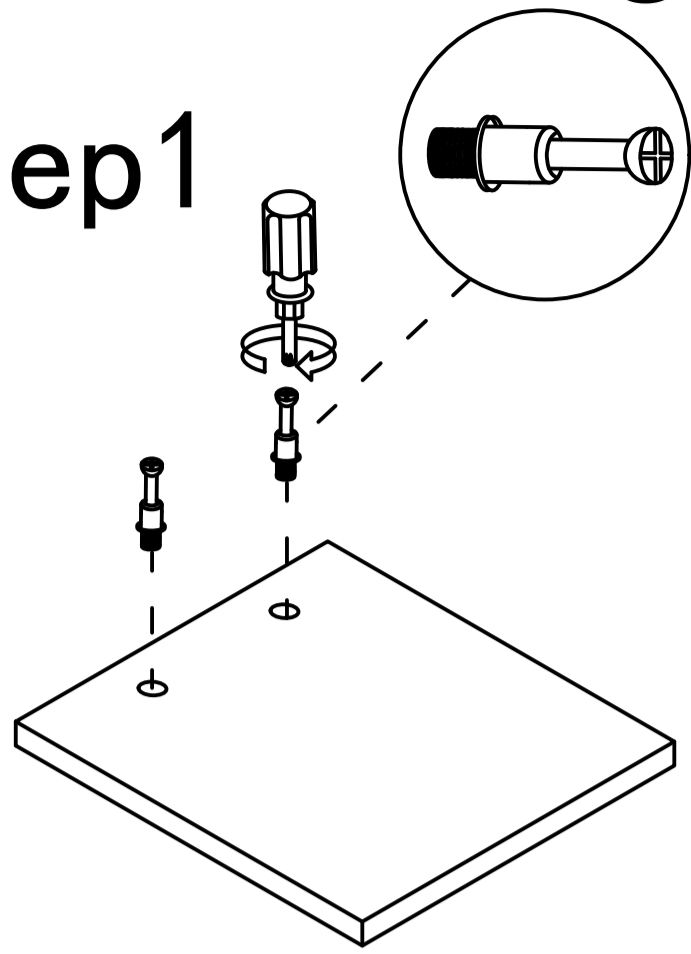


Product structure decomposition

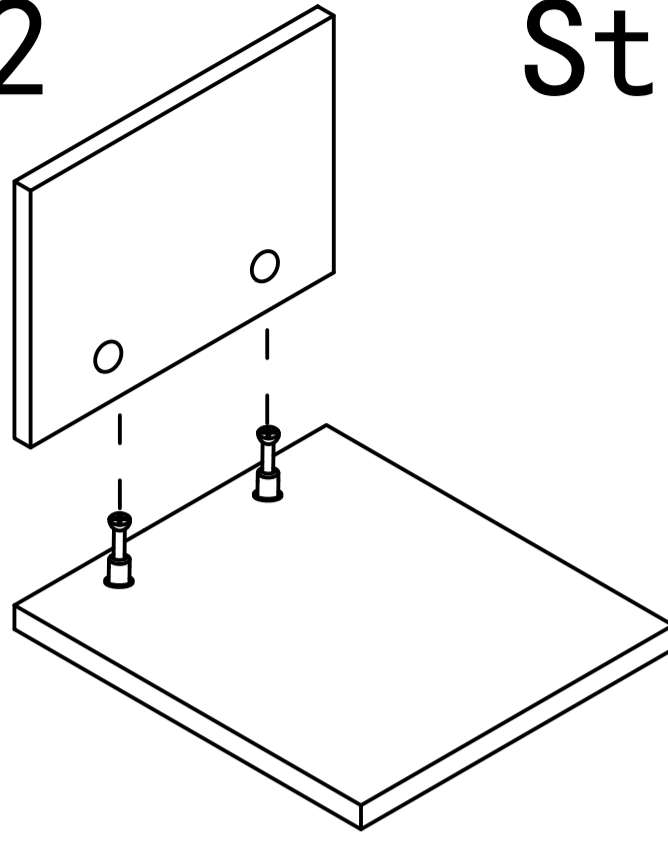


Use parts A and B

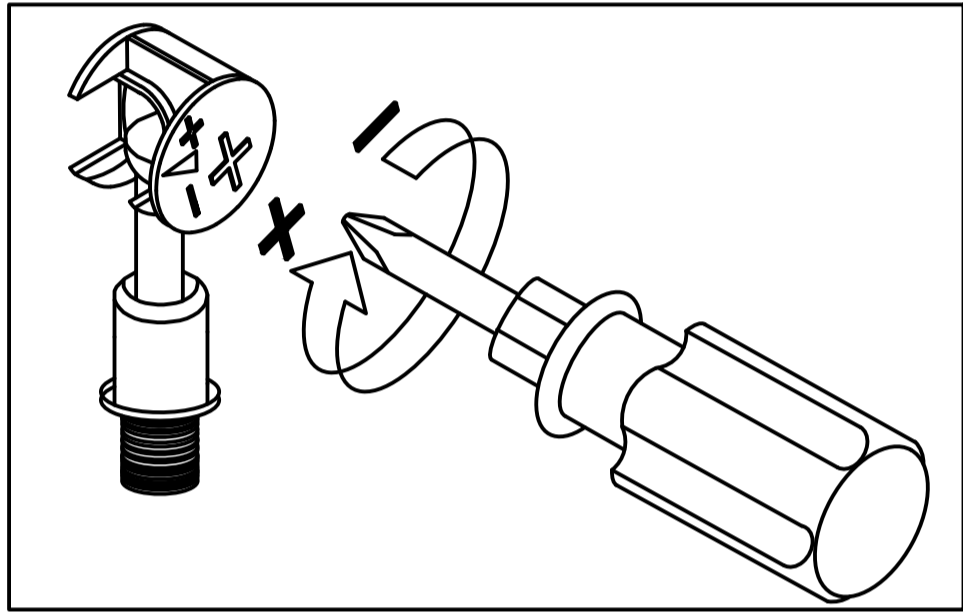
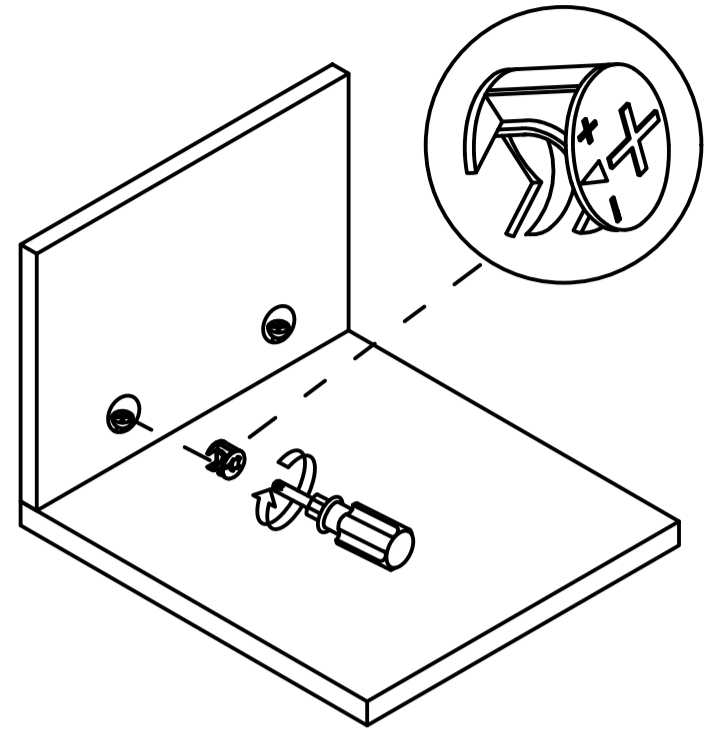
Step 1



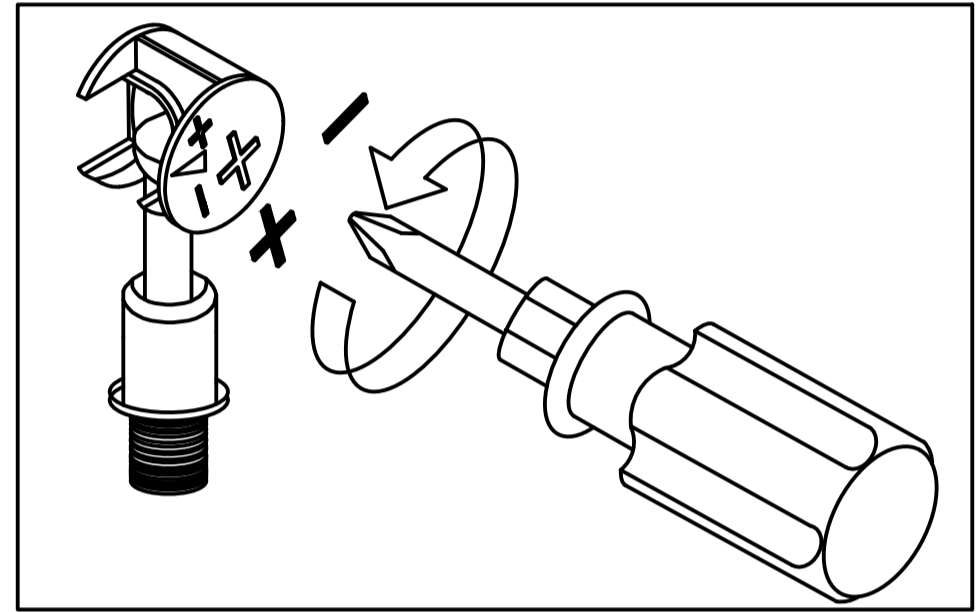
Step 2



Step 3

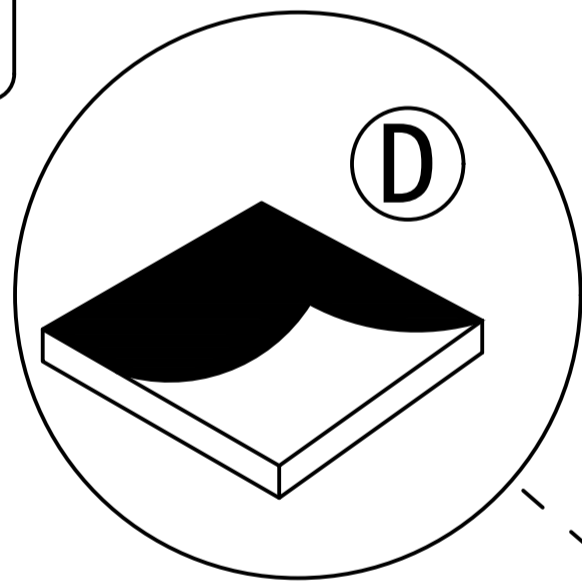


Use a screwdriver to lock in the direction of the "+" sign

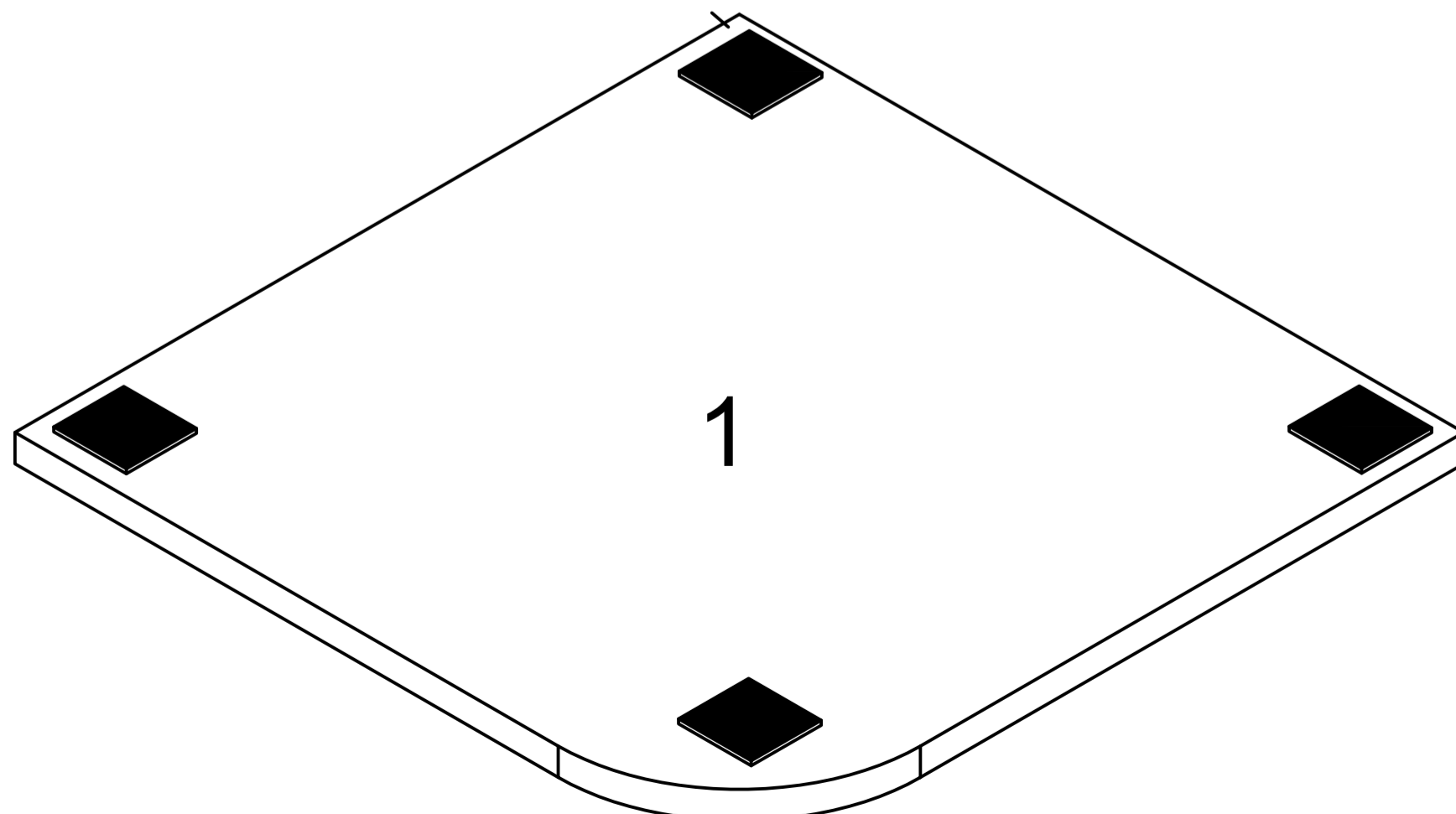
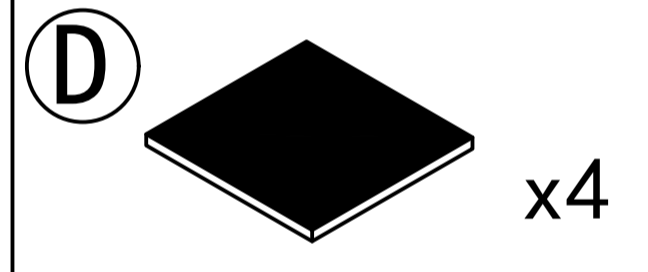


Disassemble along the direction of "-" sign

Step 1



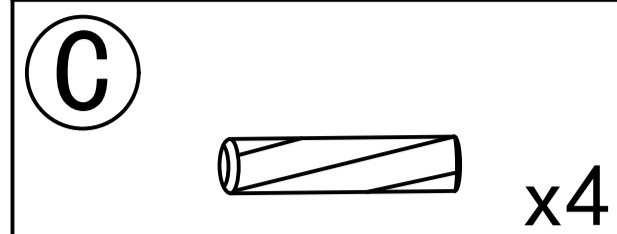
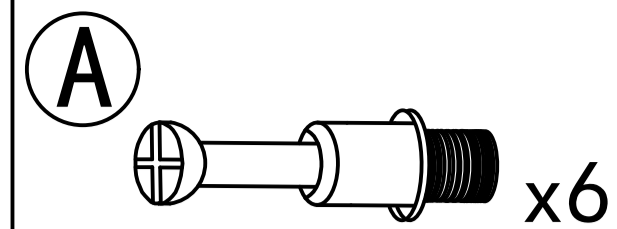
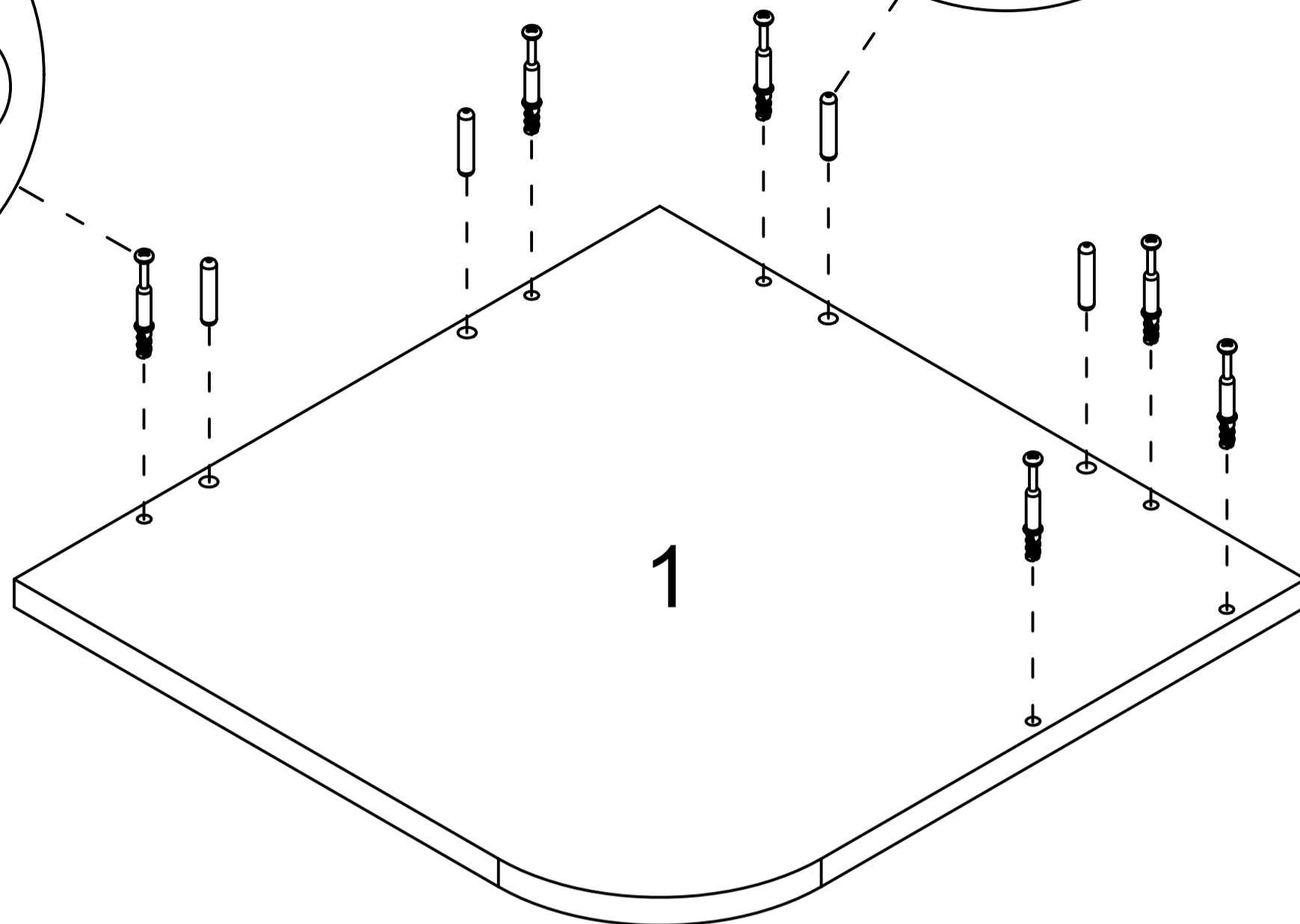
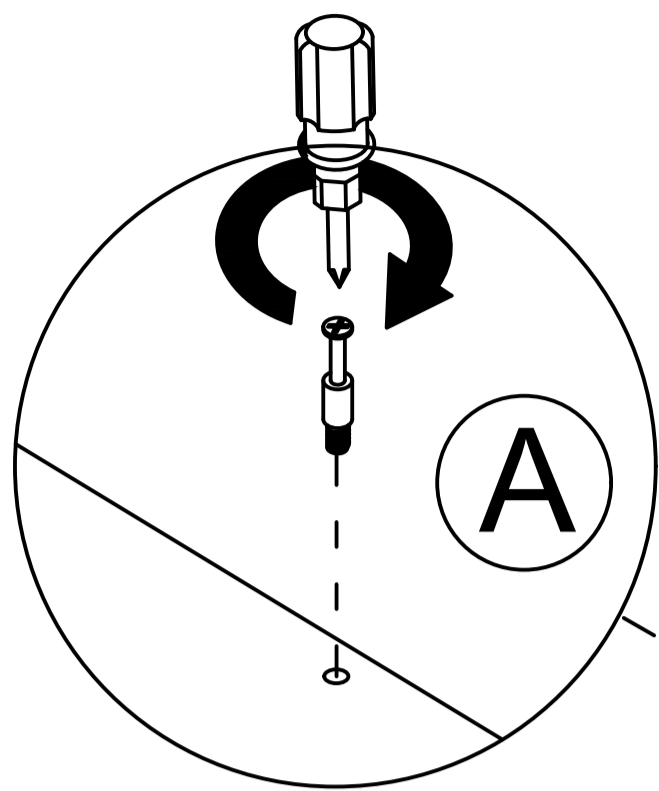
Tear off the protective film before installation



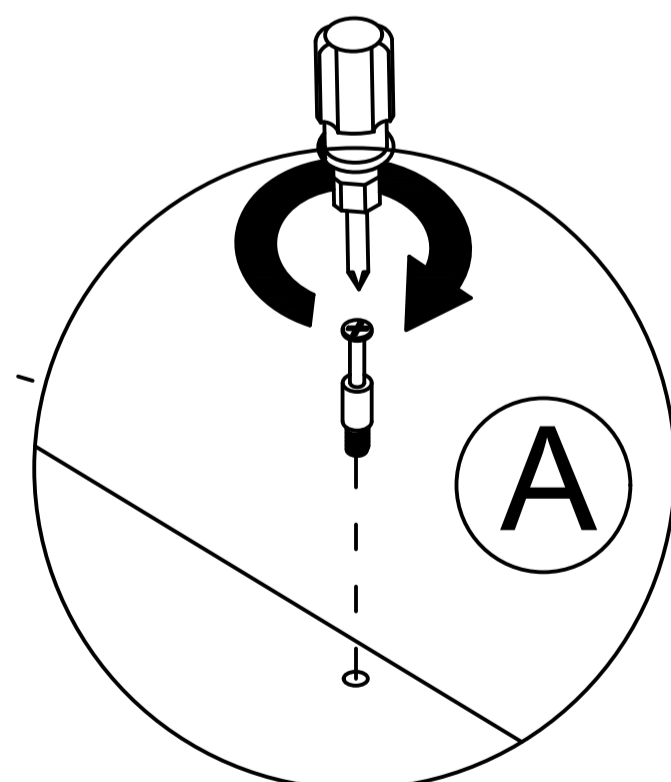
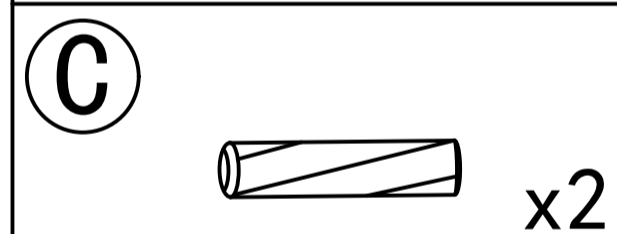
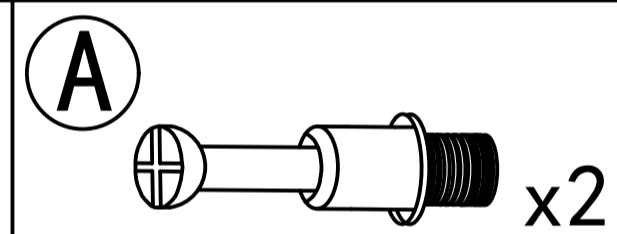
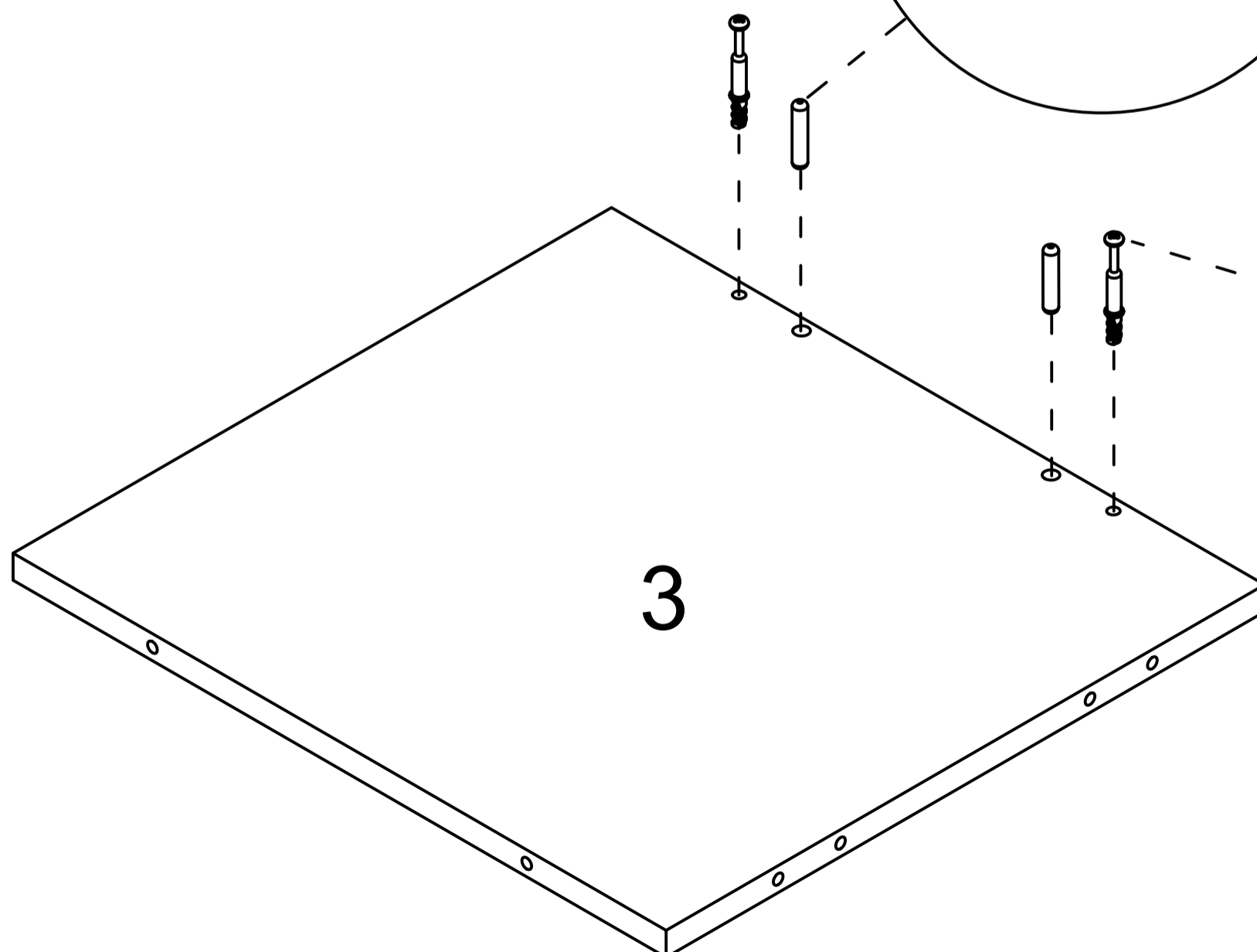
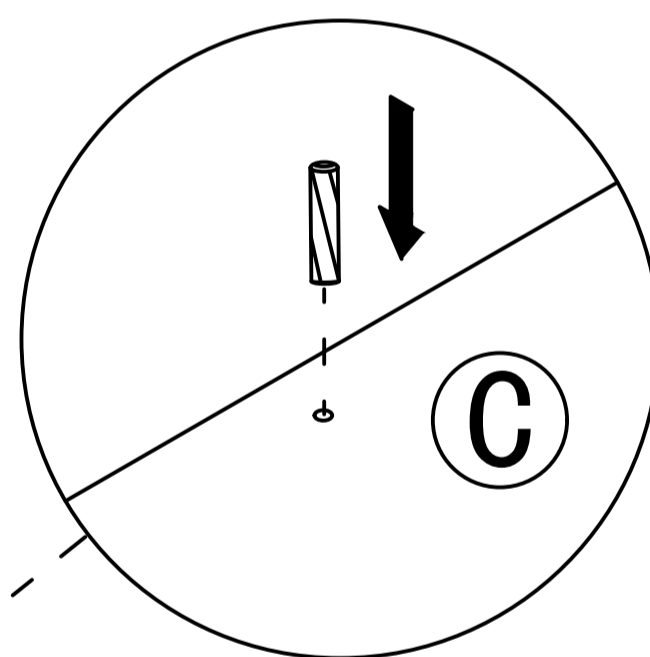
5

SY

Step 2

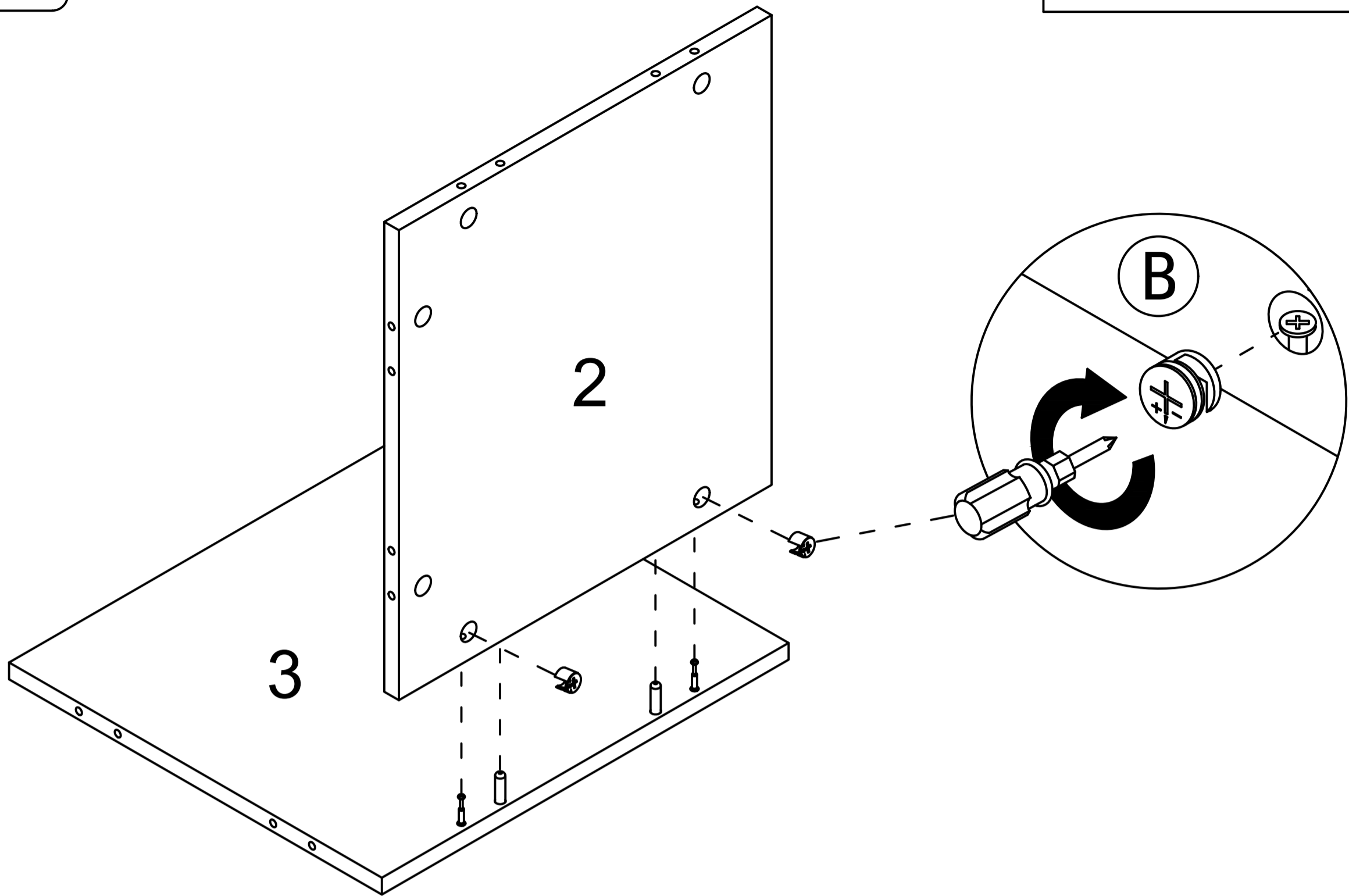


Step 3

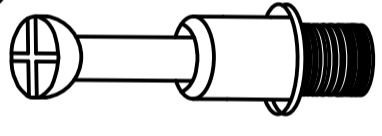


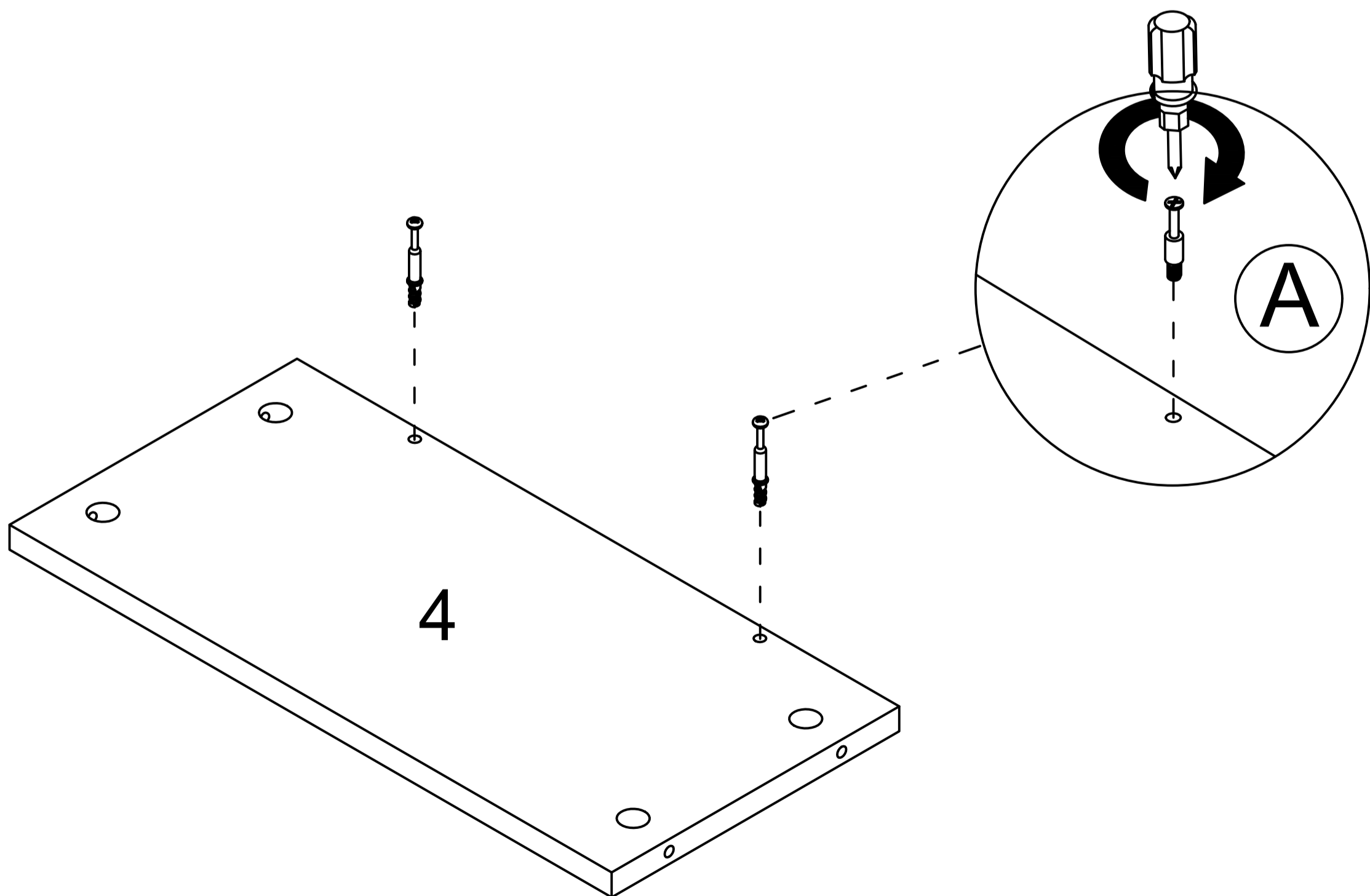
Step 4

B  x2




Step 5

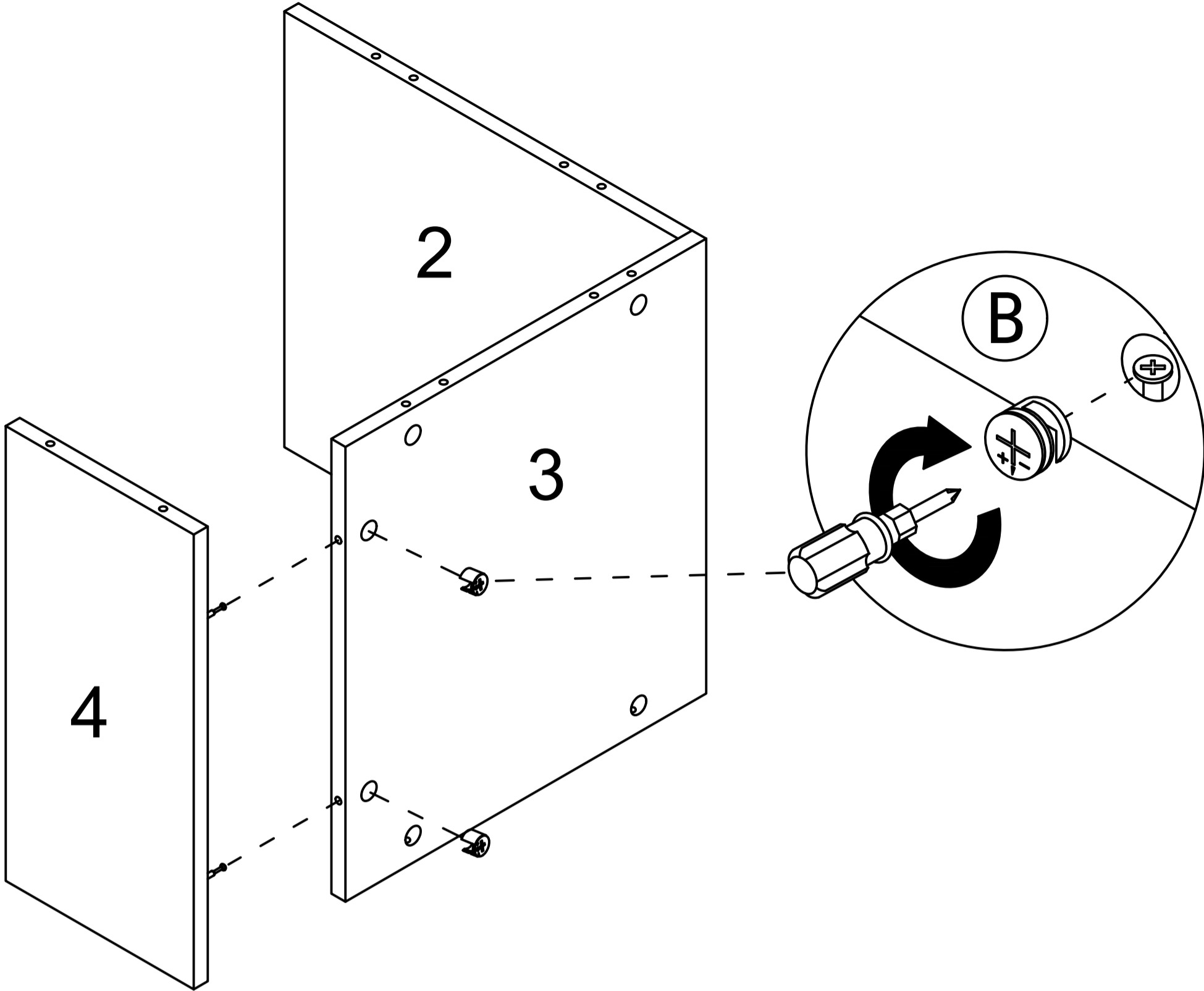
A  x2



7

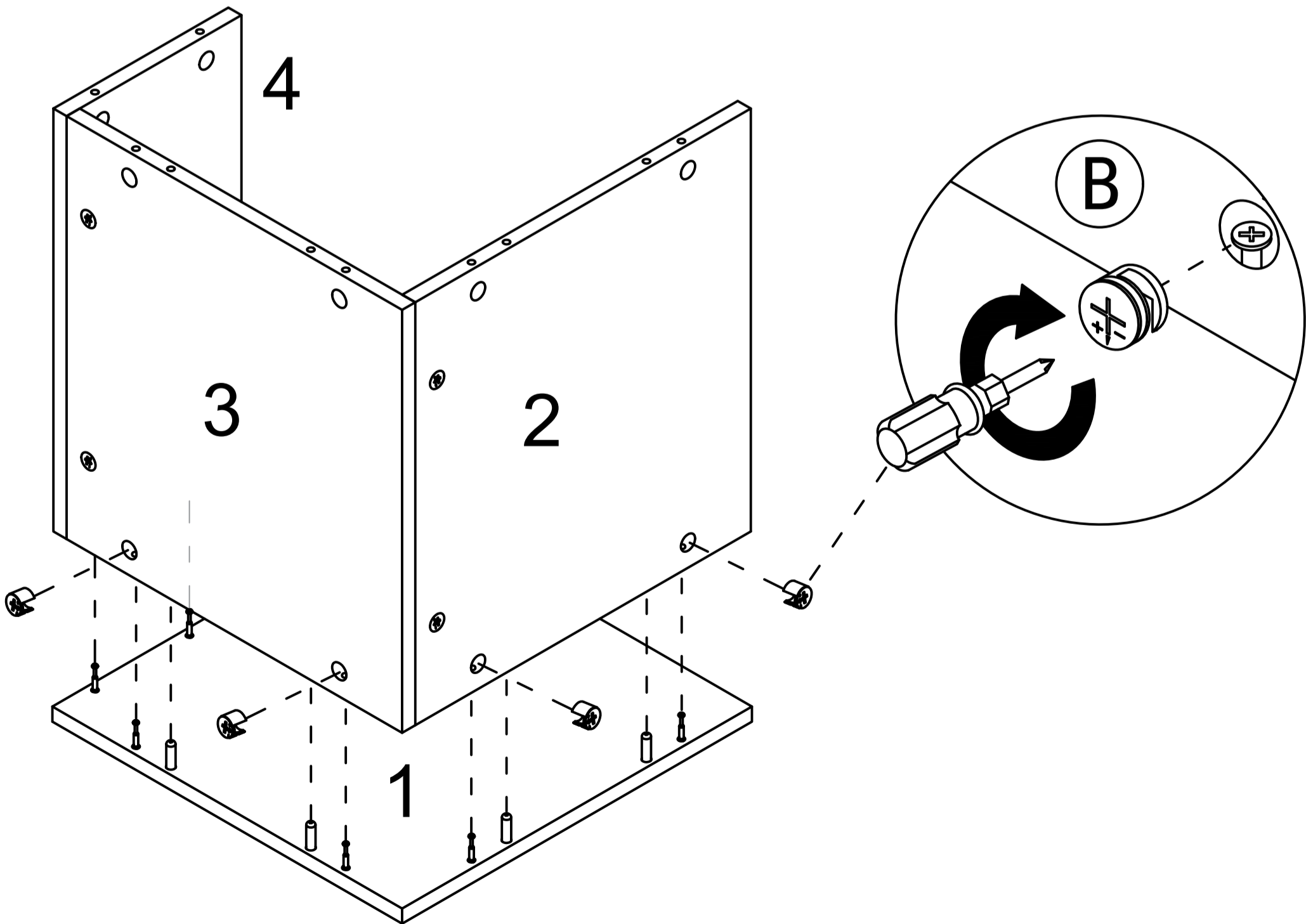
Step 6

B  x2




Step 7

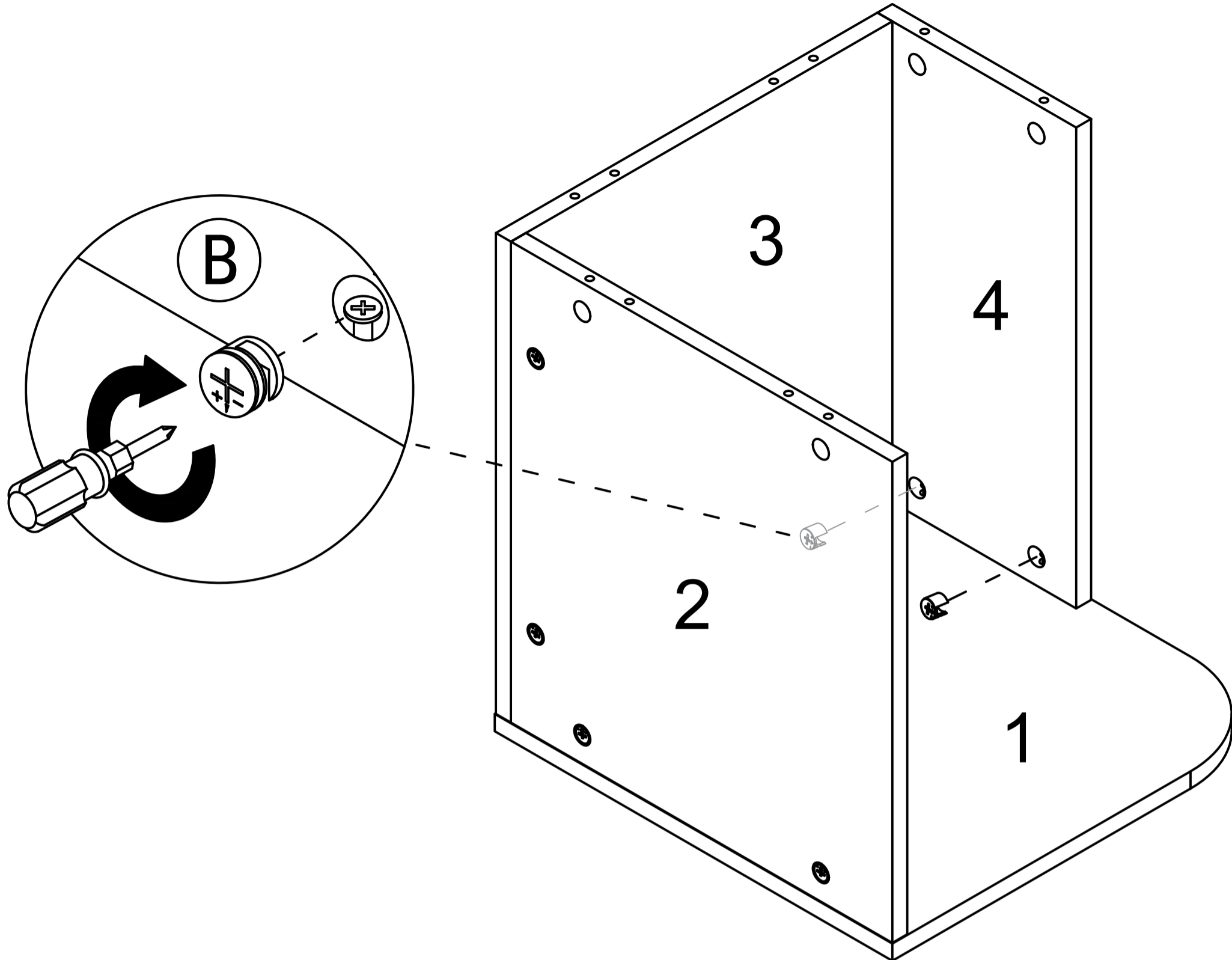
B  x4



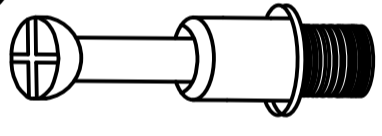
8

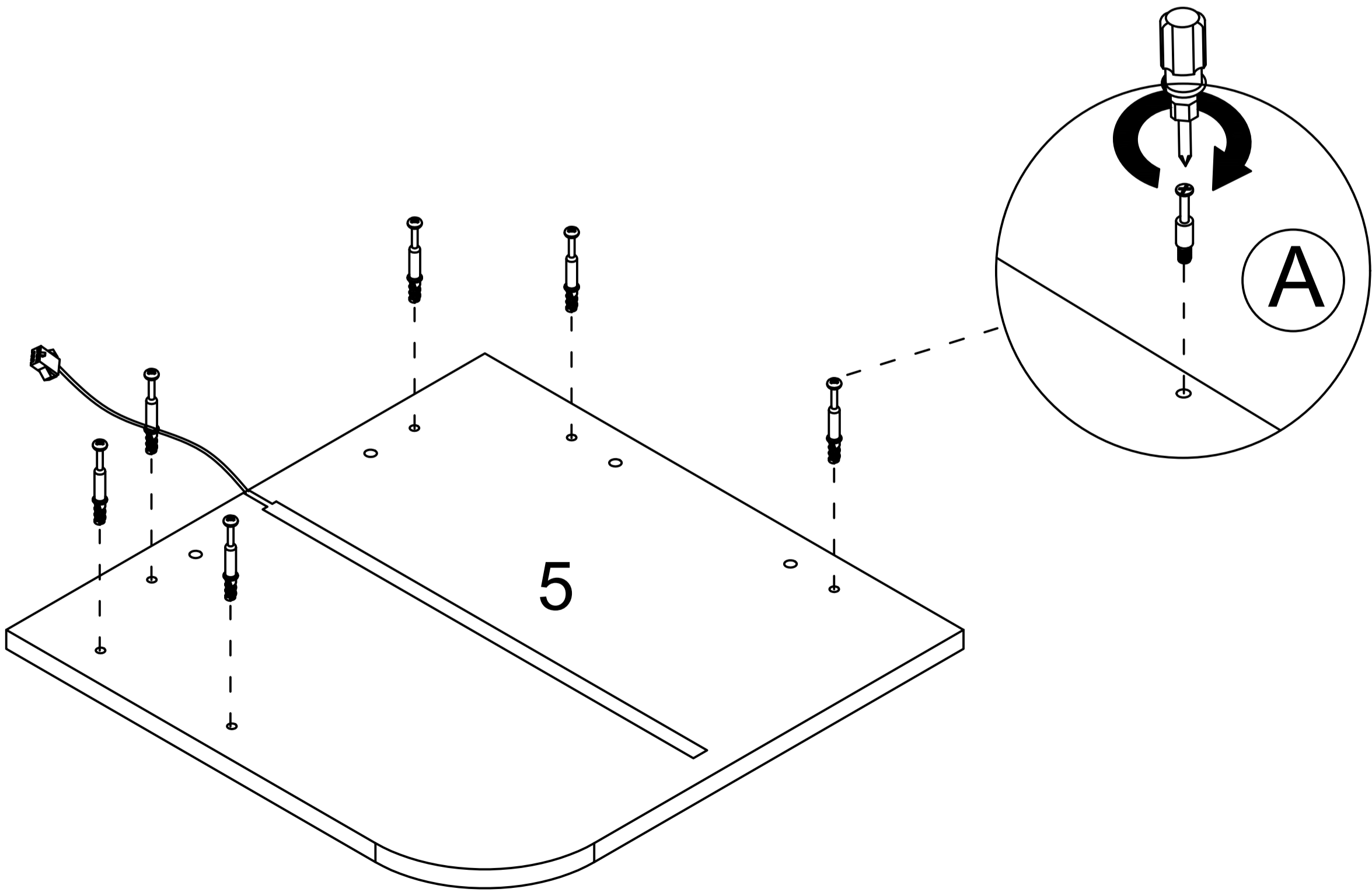
Step 8

B  x2

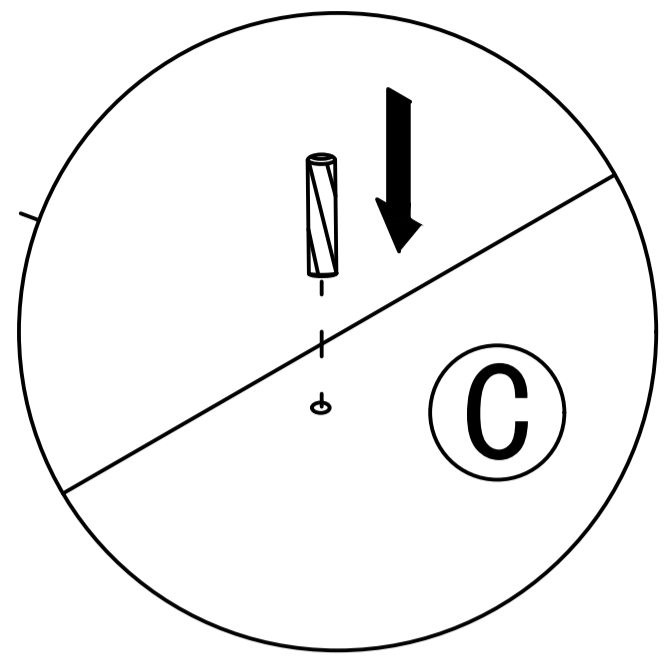
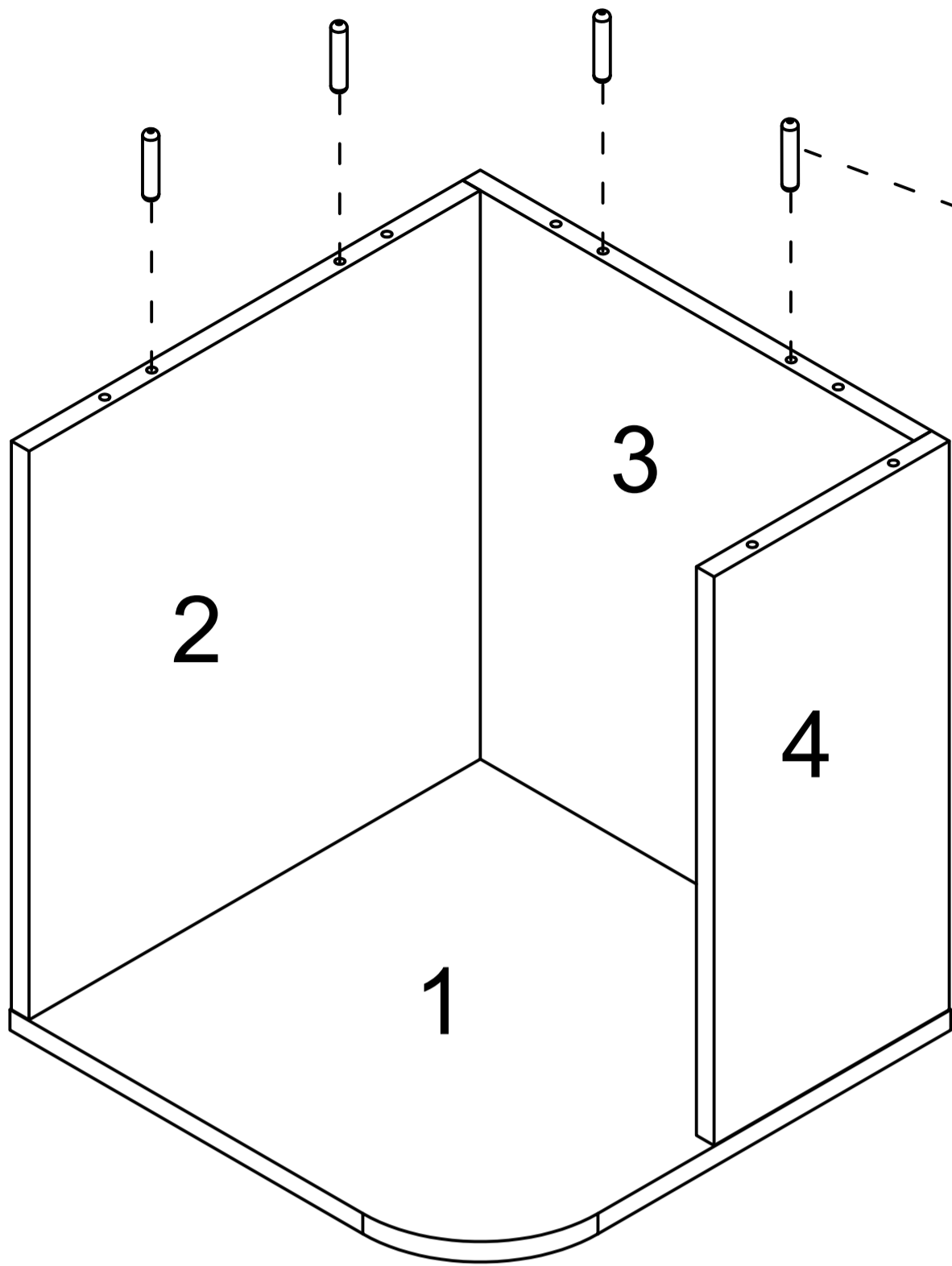
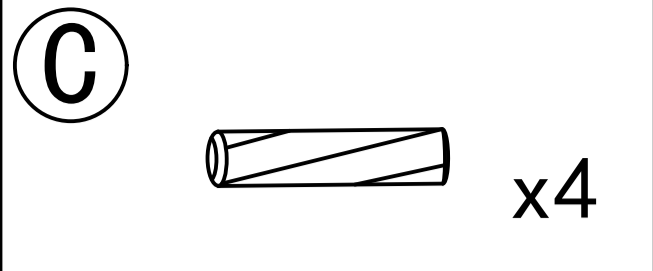


Step 9

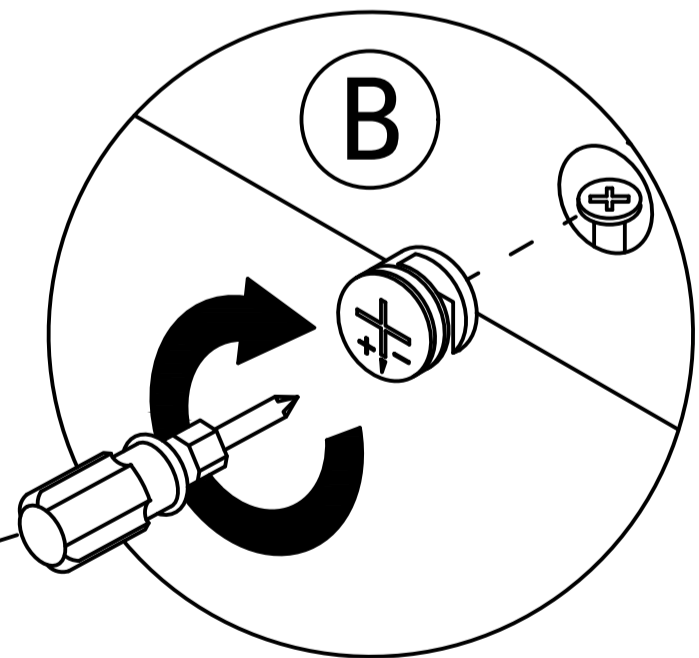
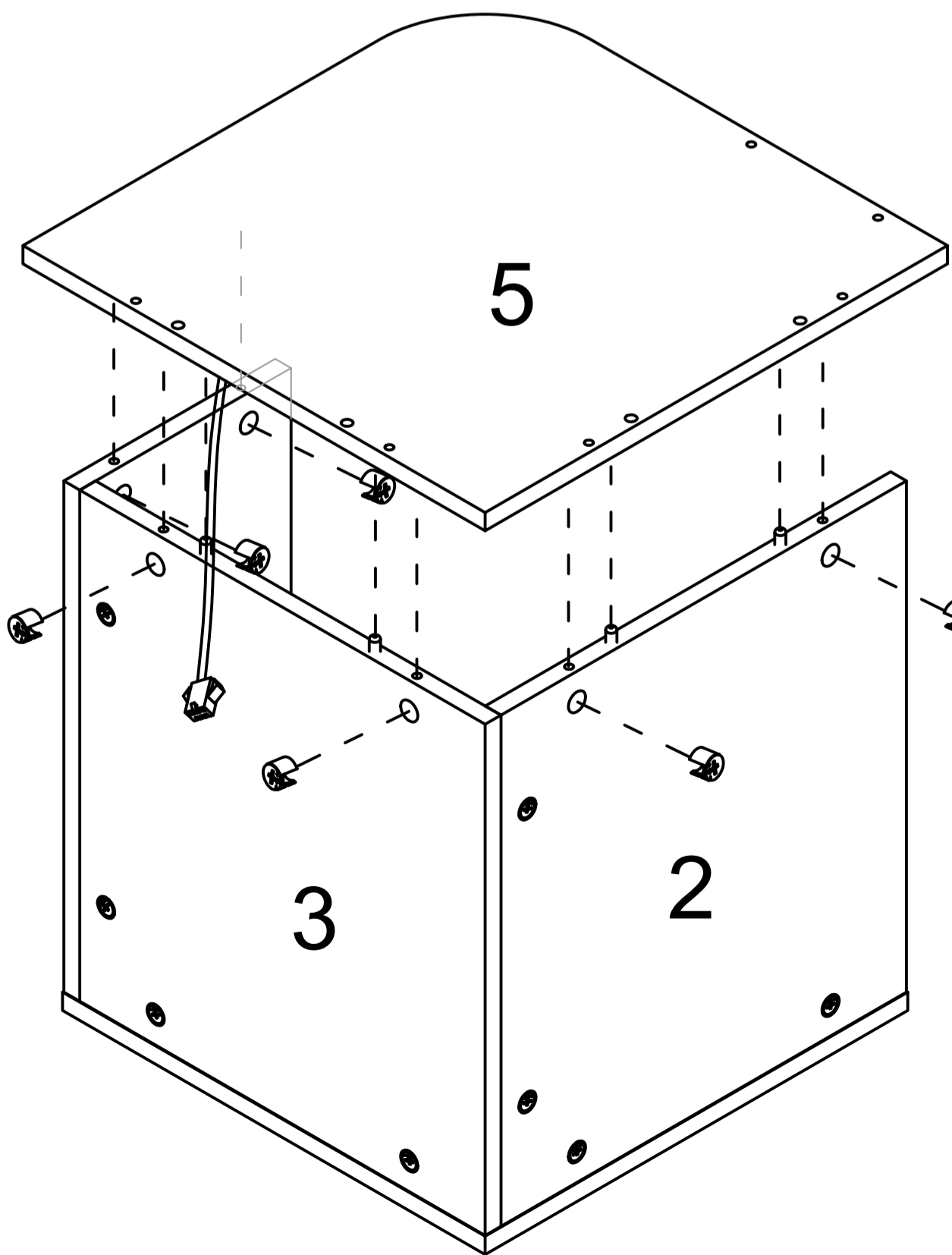
A  x6



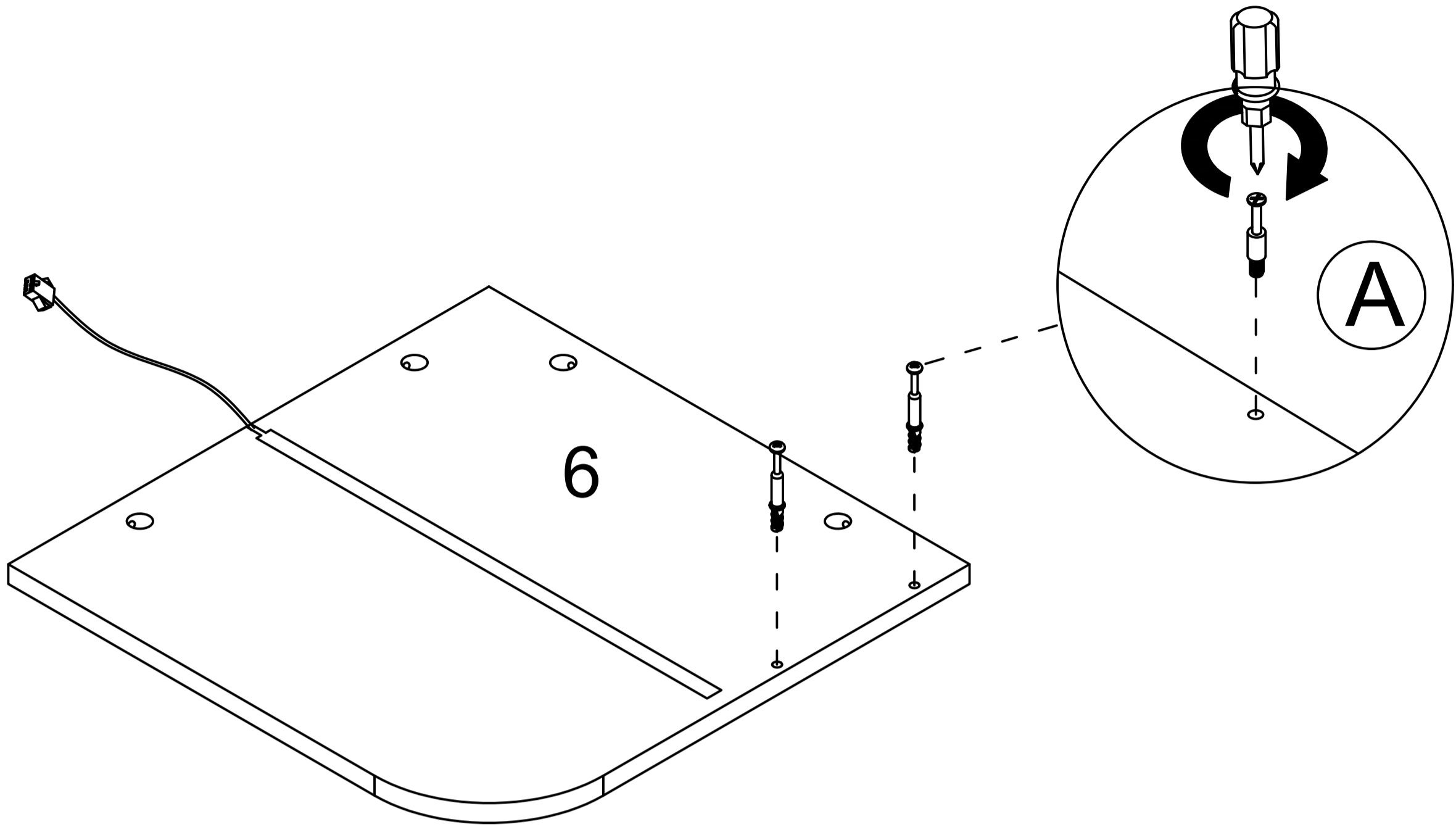
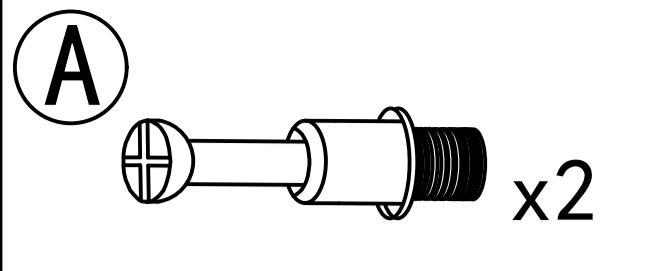
Step 10



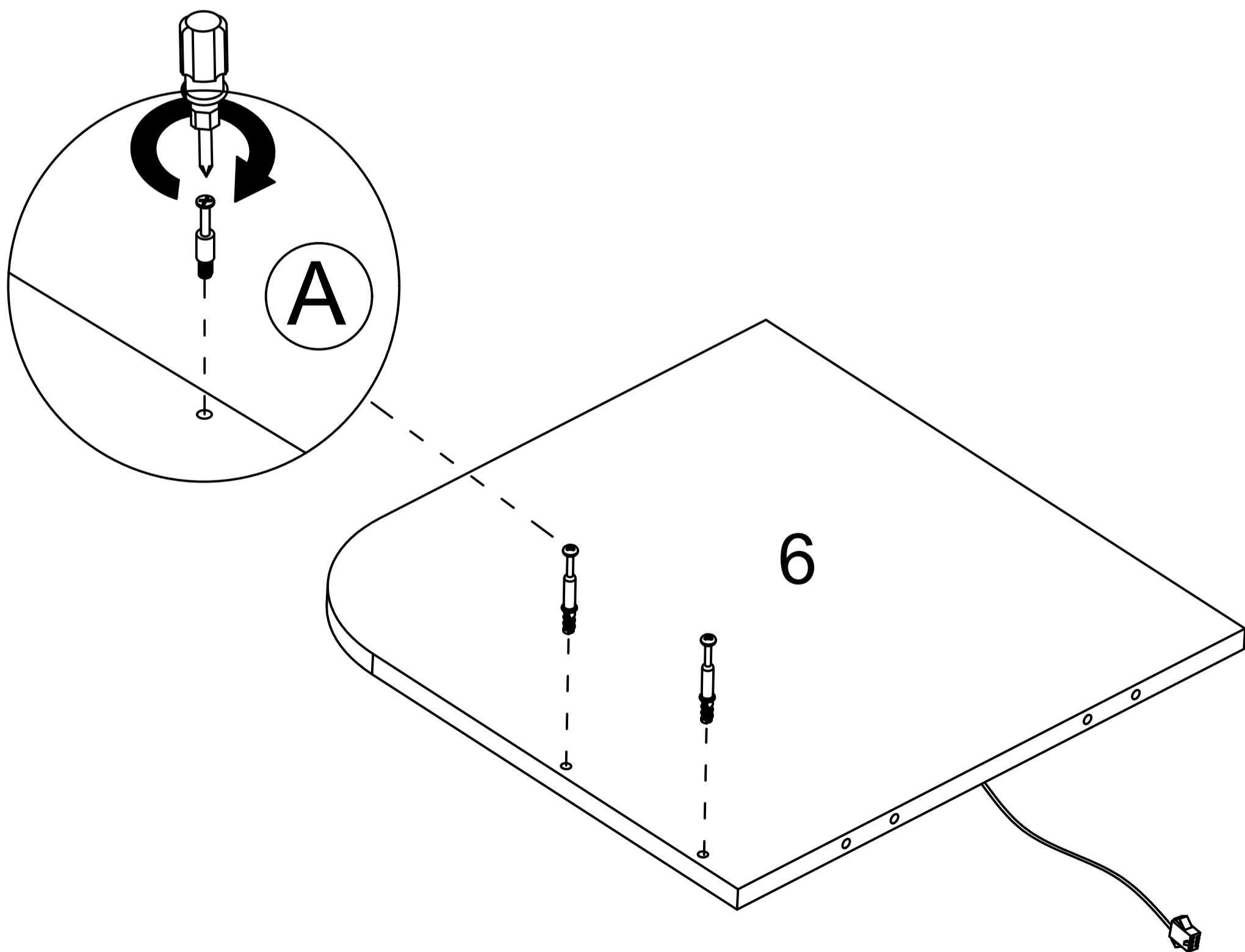
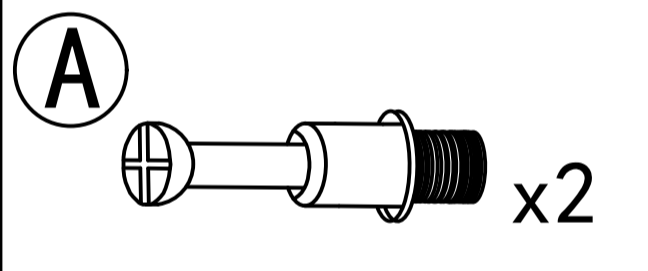
Step 11




Step 12

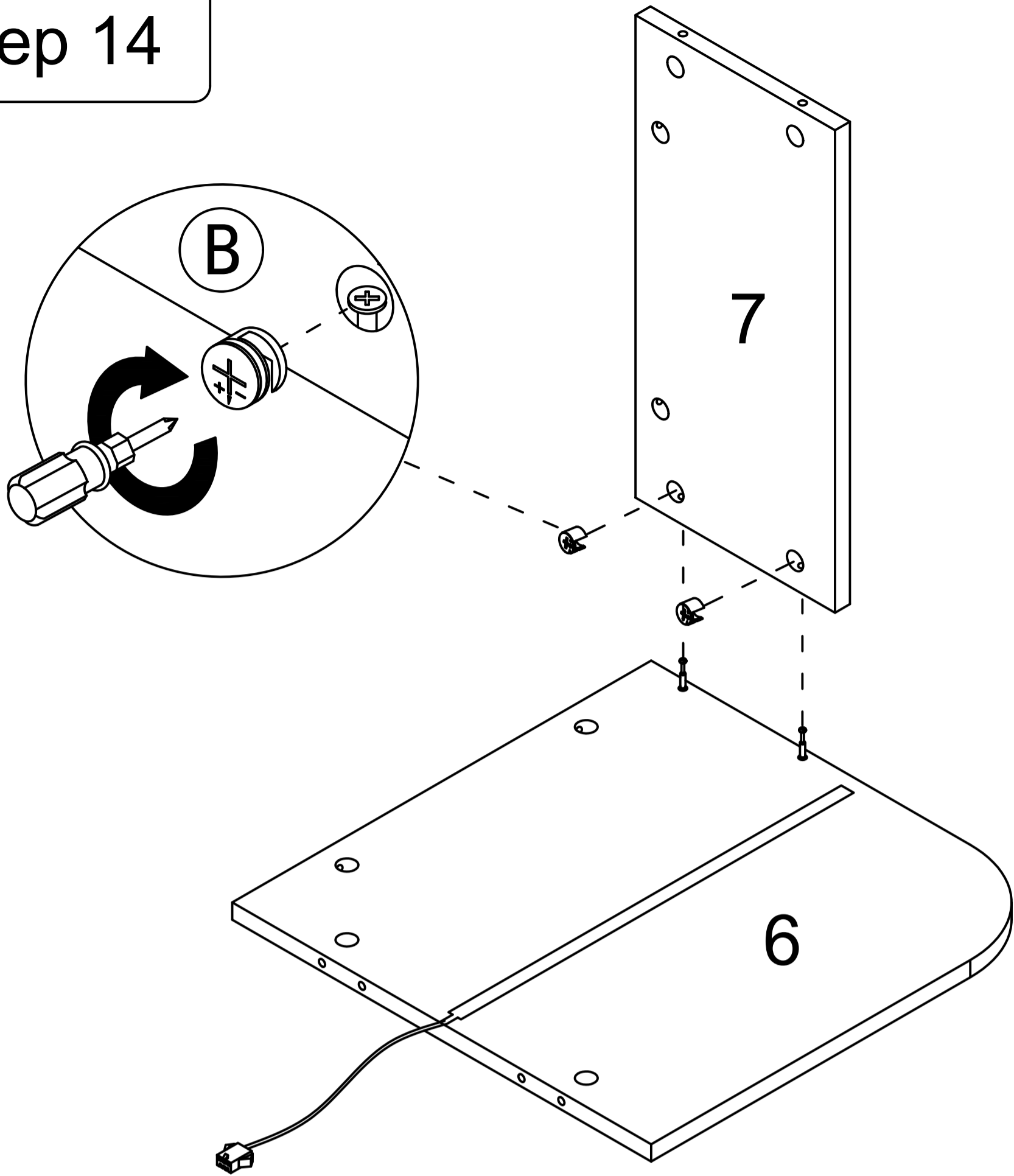


Step 13



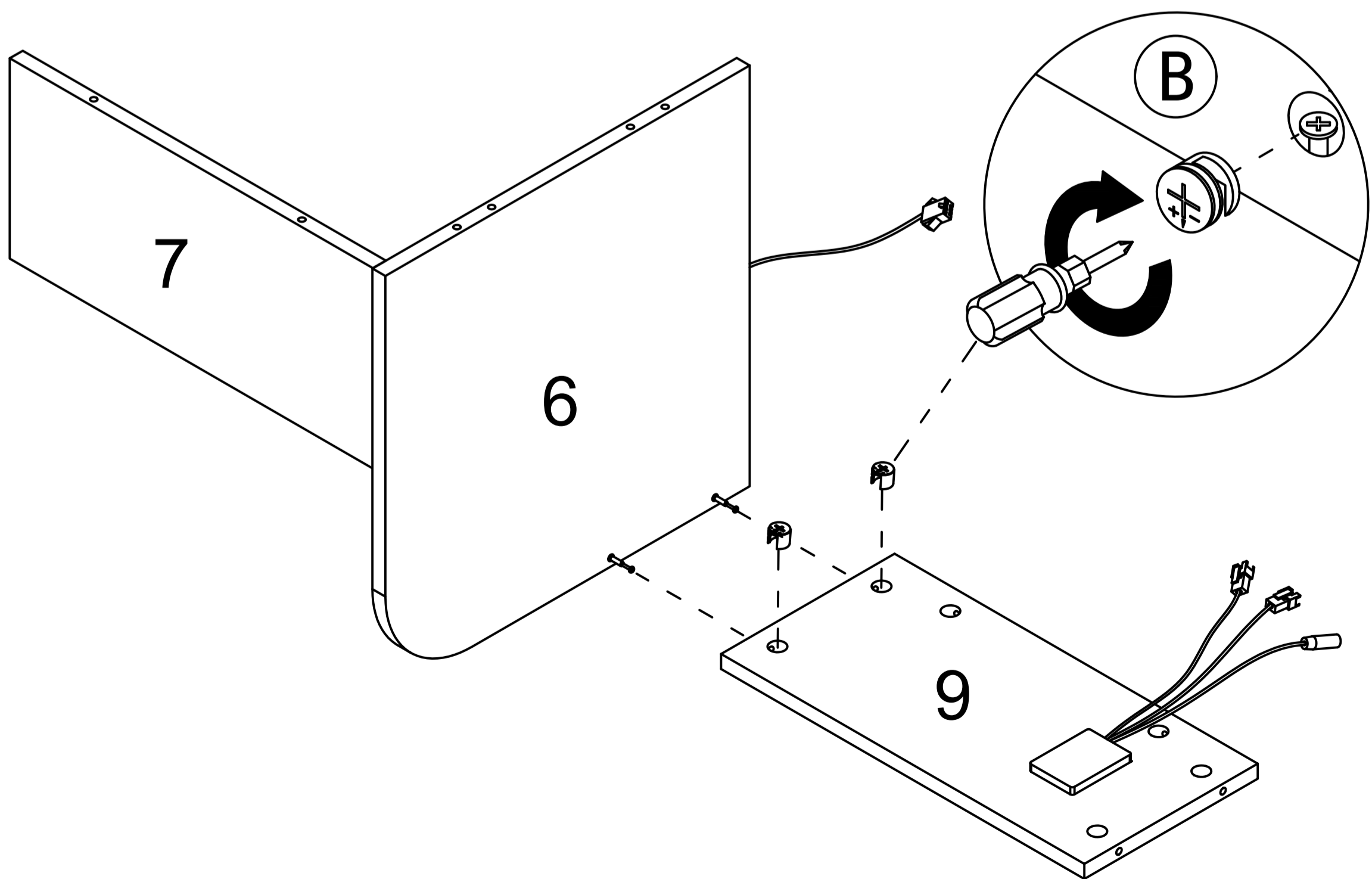
Step 14

(B)  x2

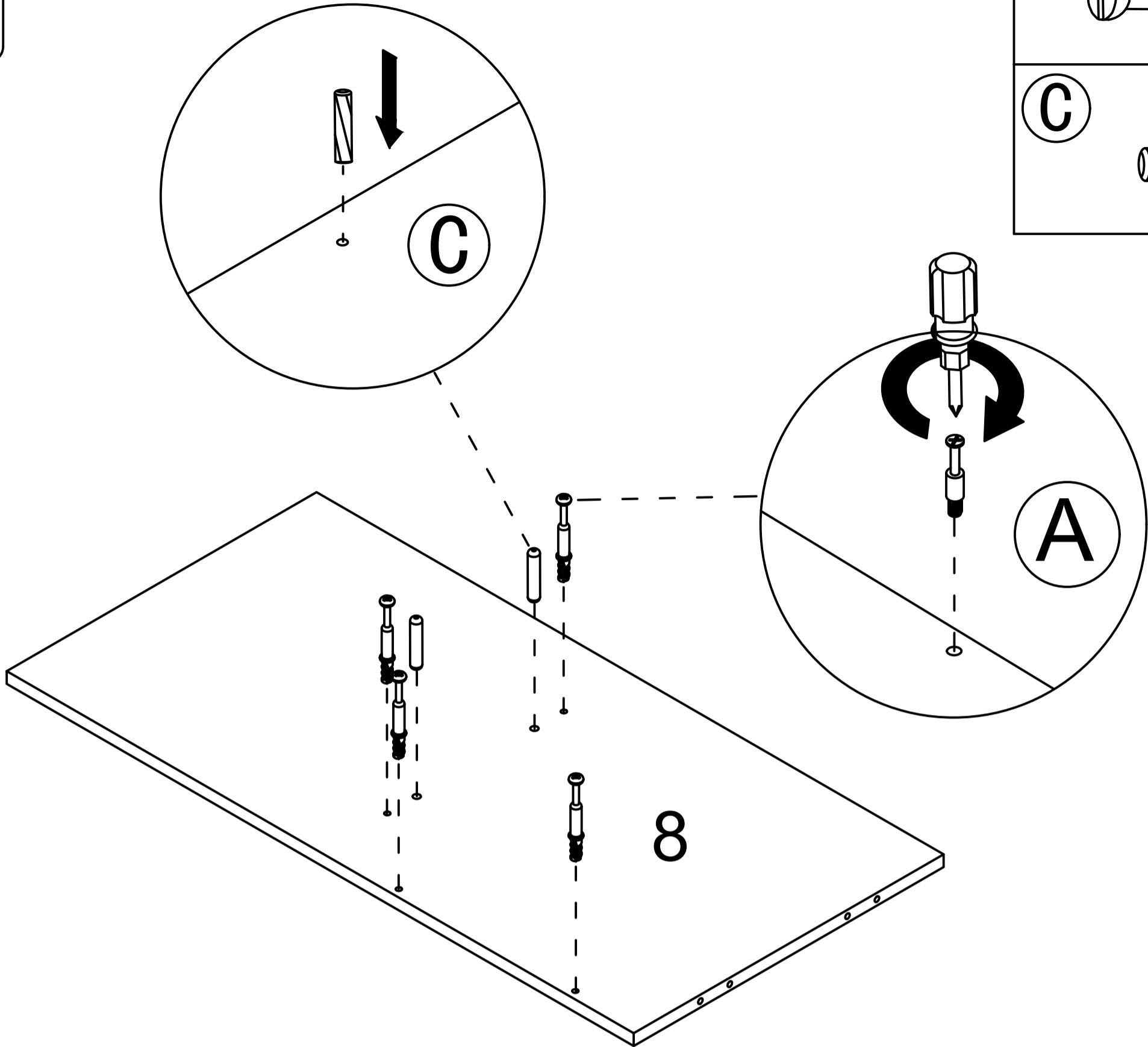


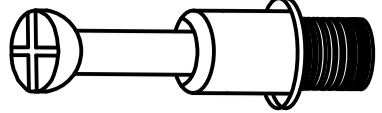

Step 15

(B)  x2

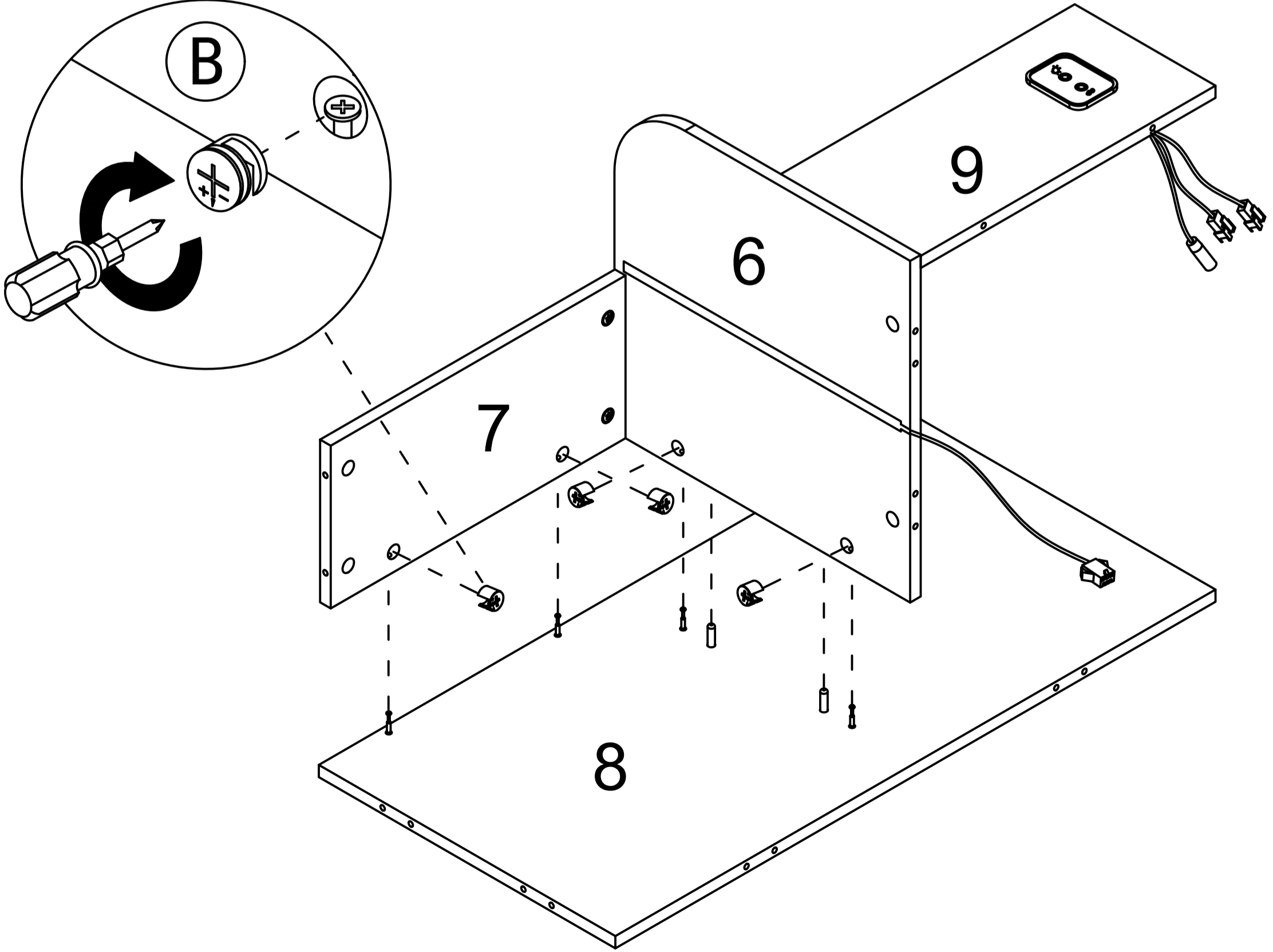



Step 16



- (A)  x4
- (C)  x2

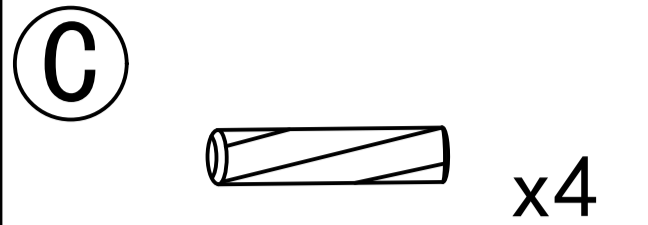
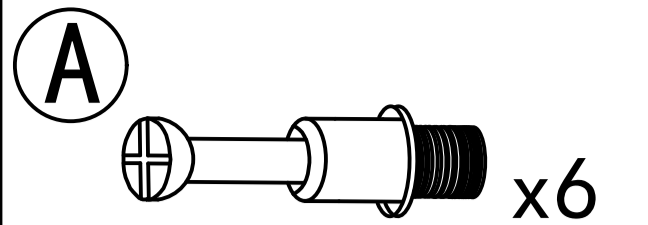
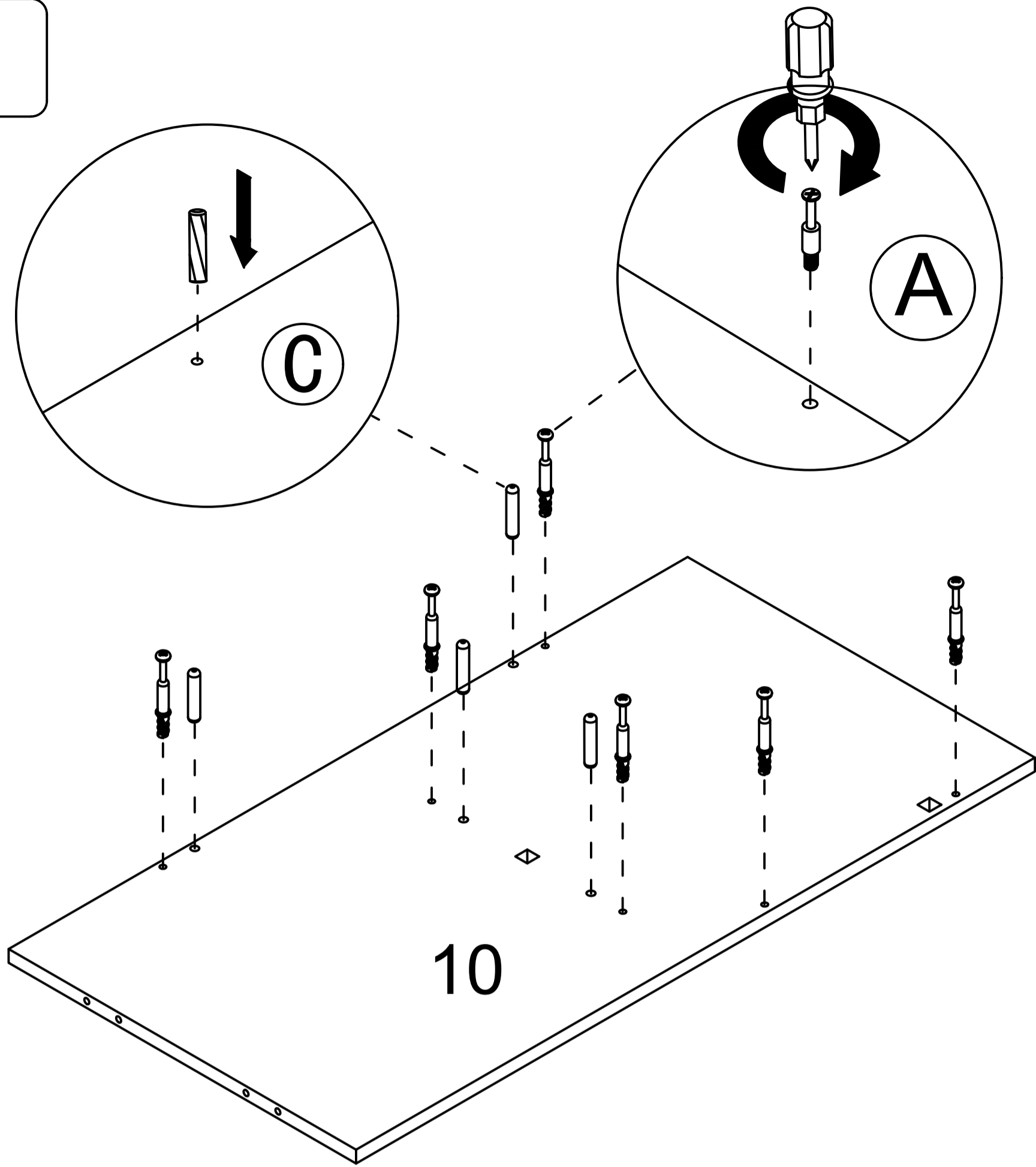
Step 17



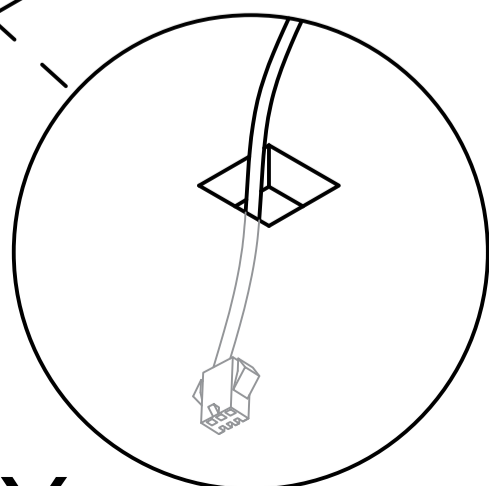
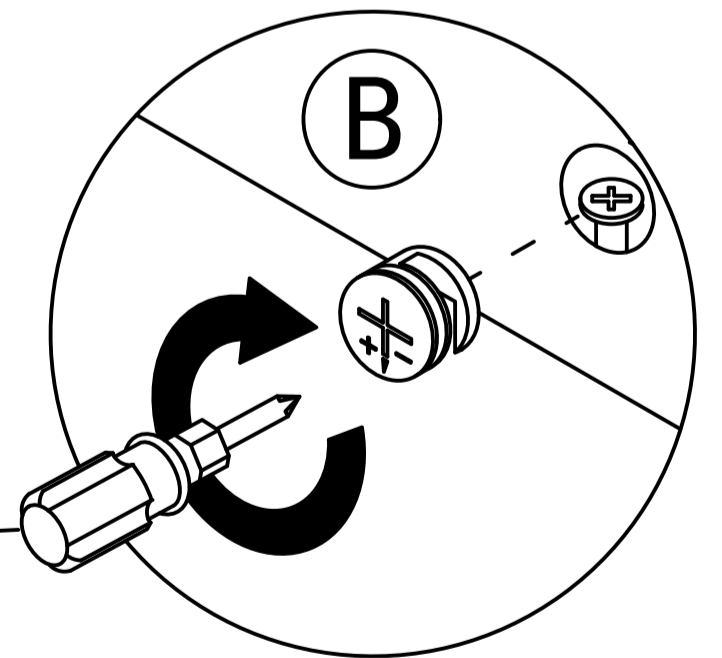
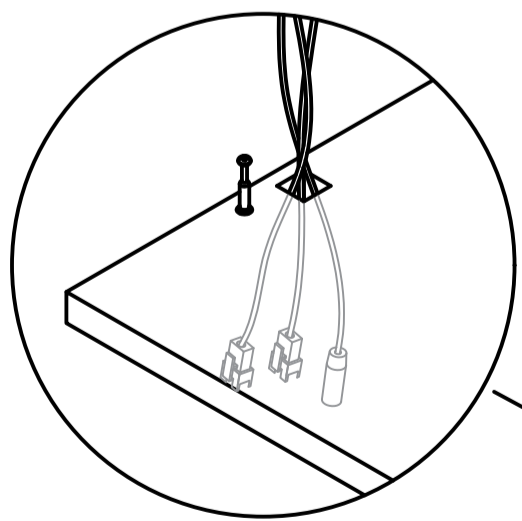
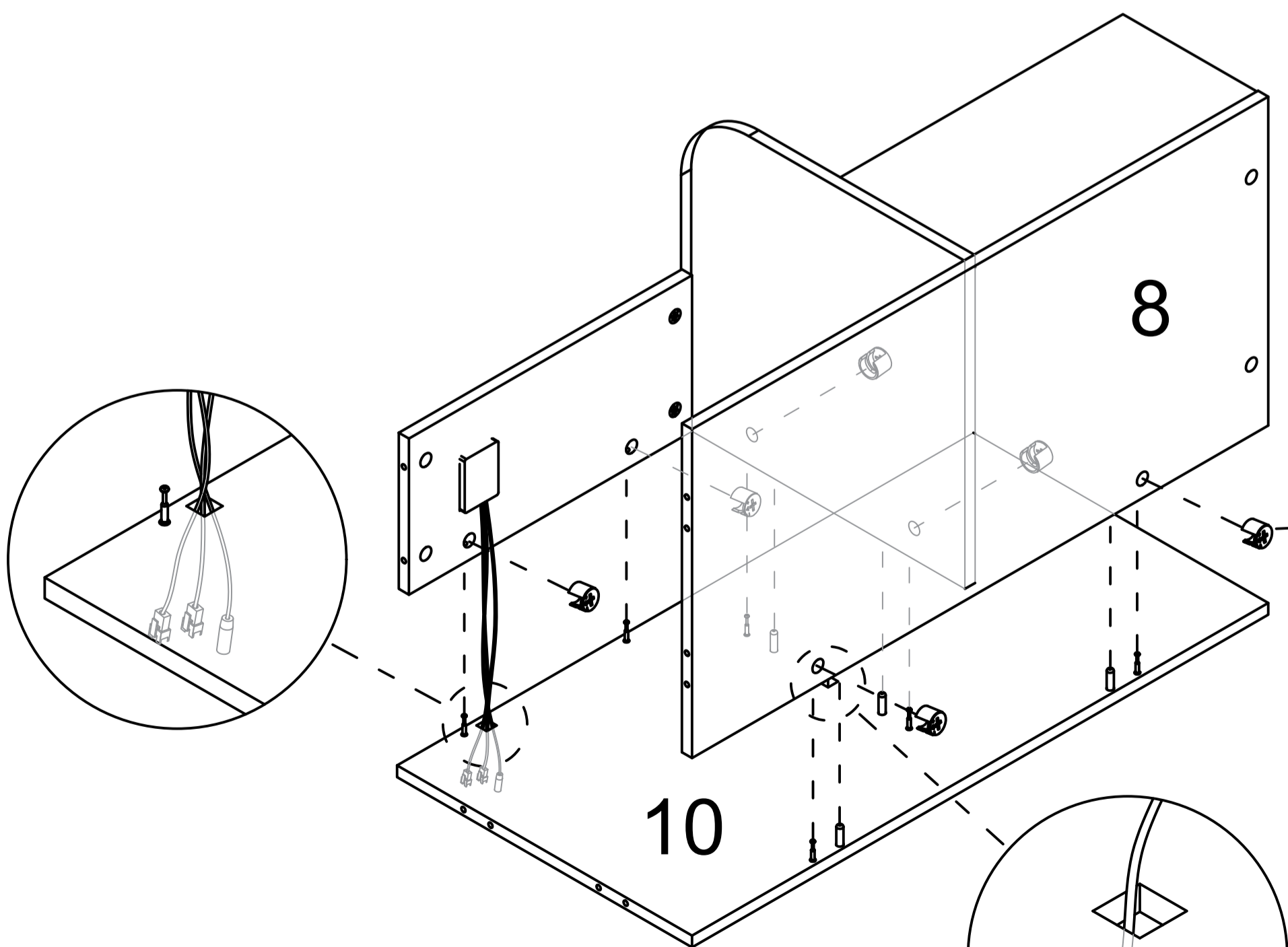
- (B)  x4

SY

Step 18



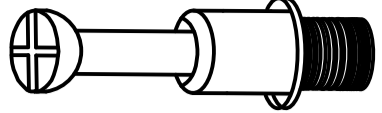

Step 19

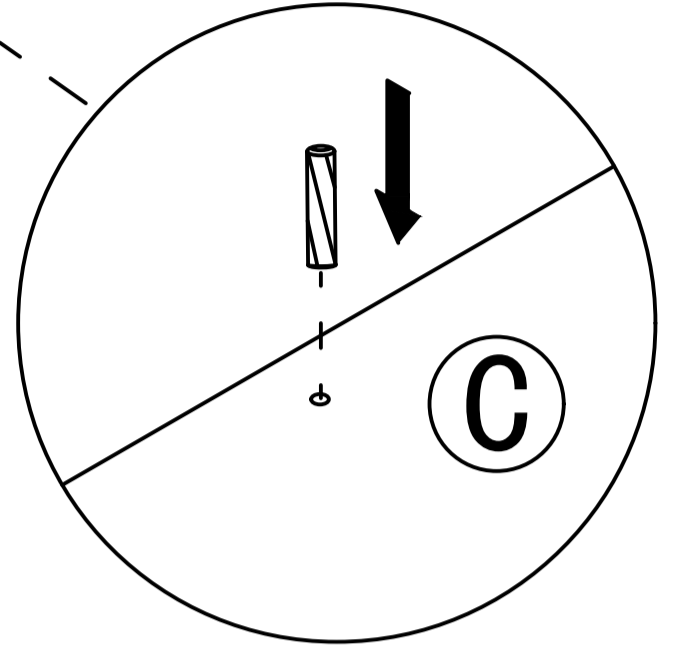
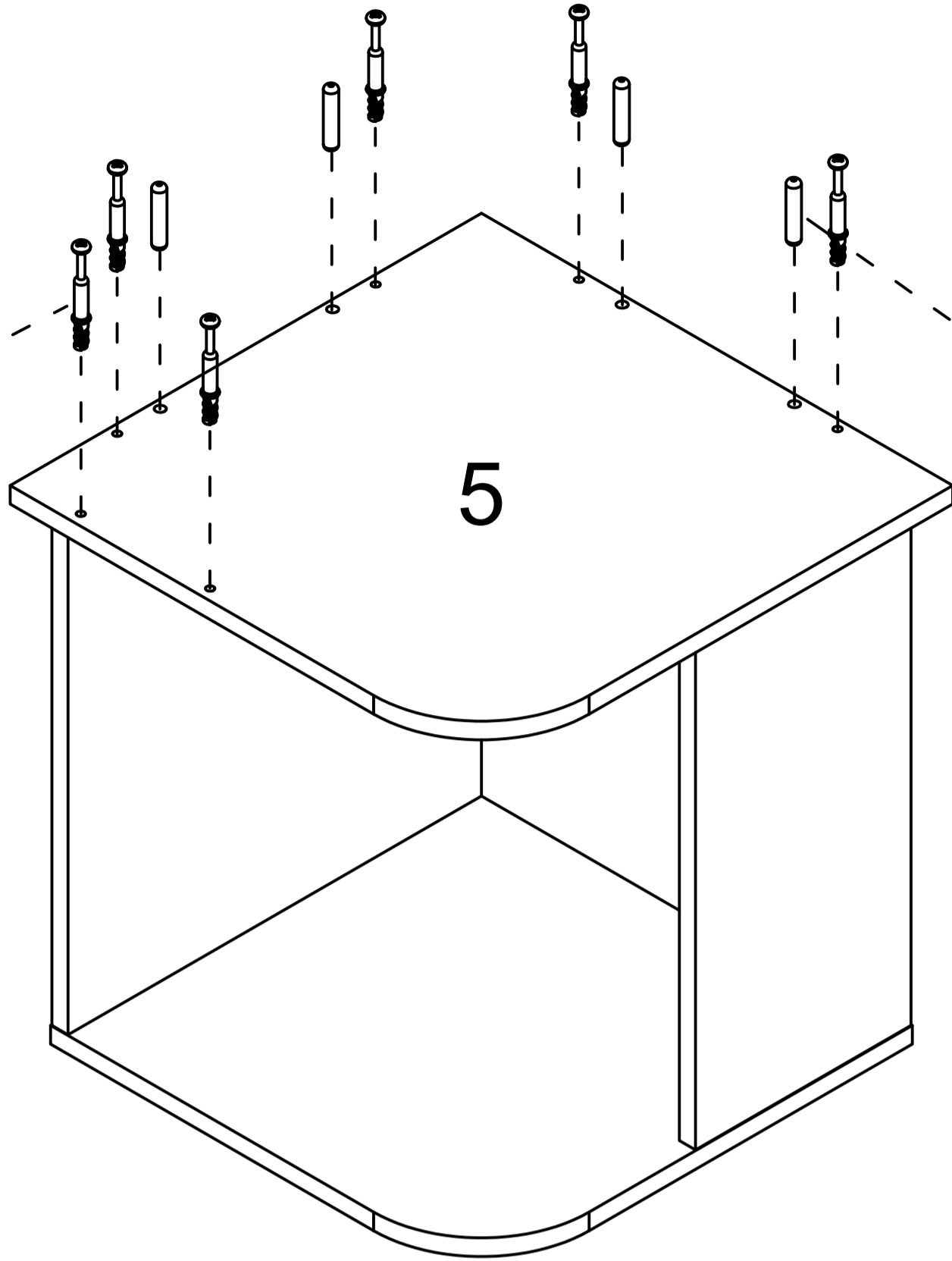
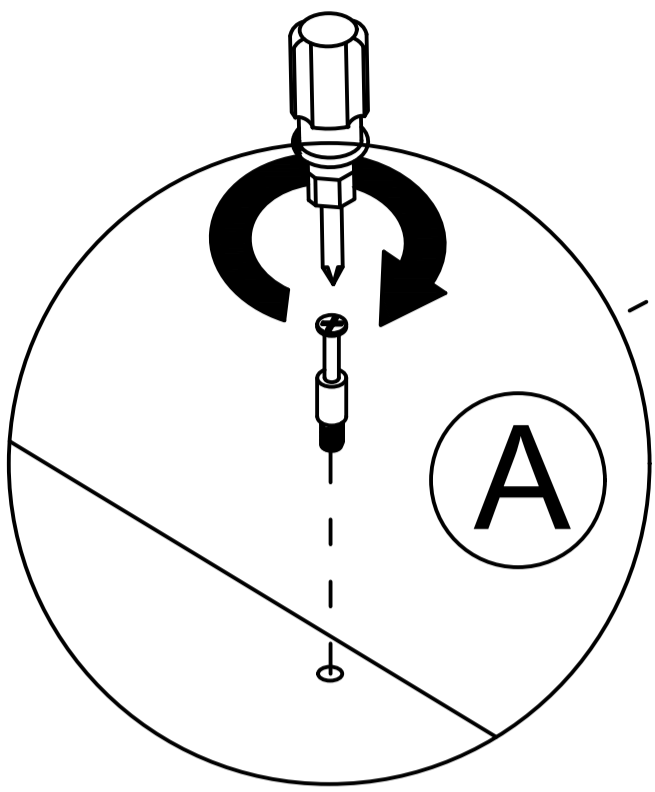


14

SY

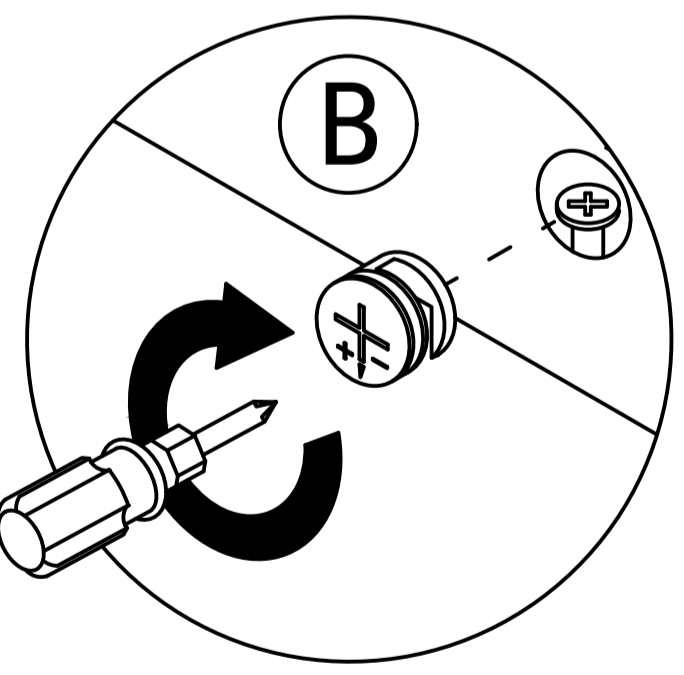
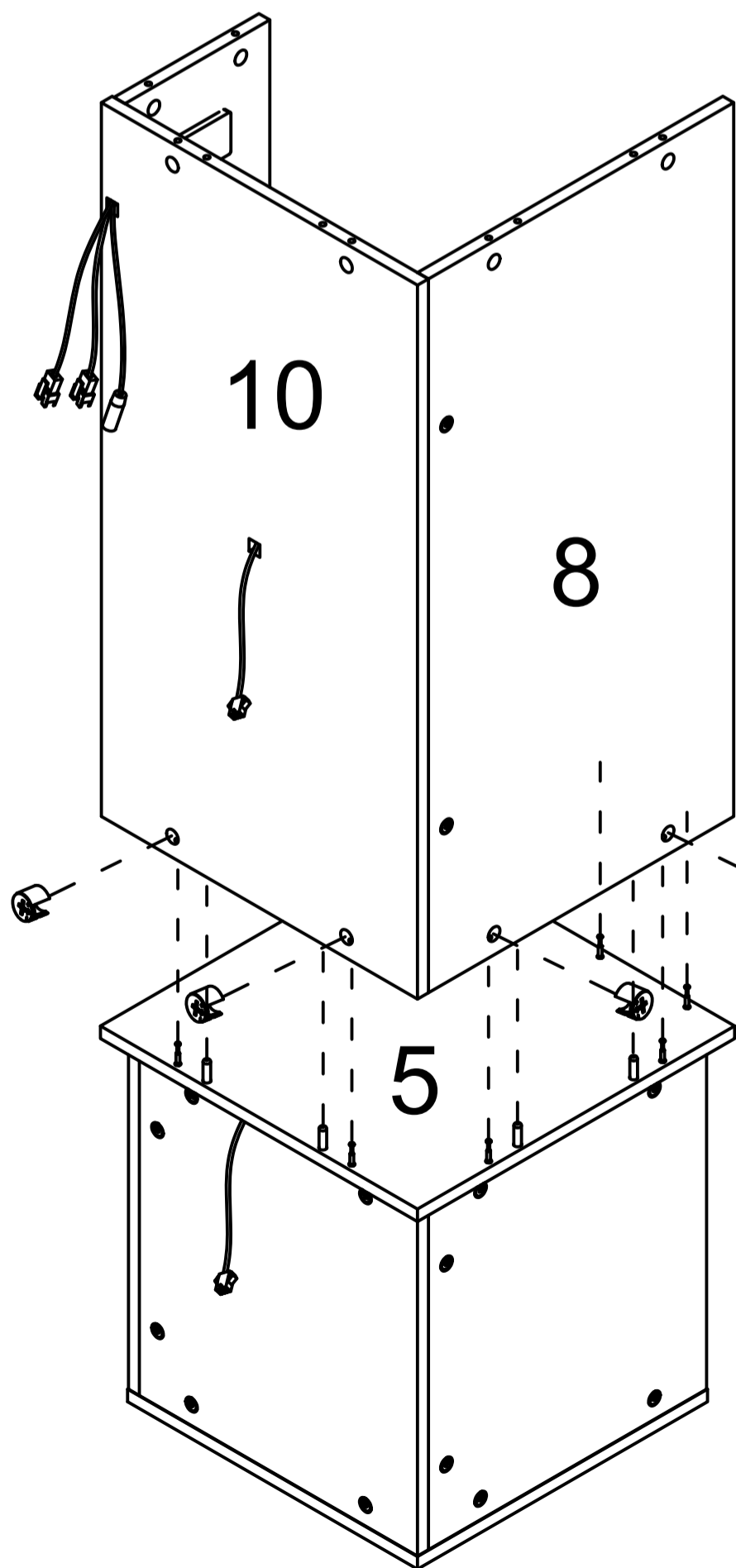
Step 20

- (A)  x6
- (C)  x4



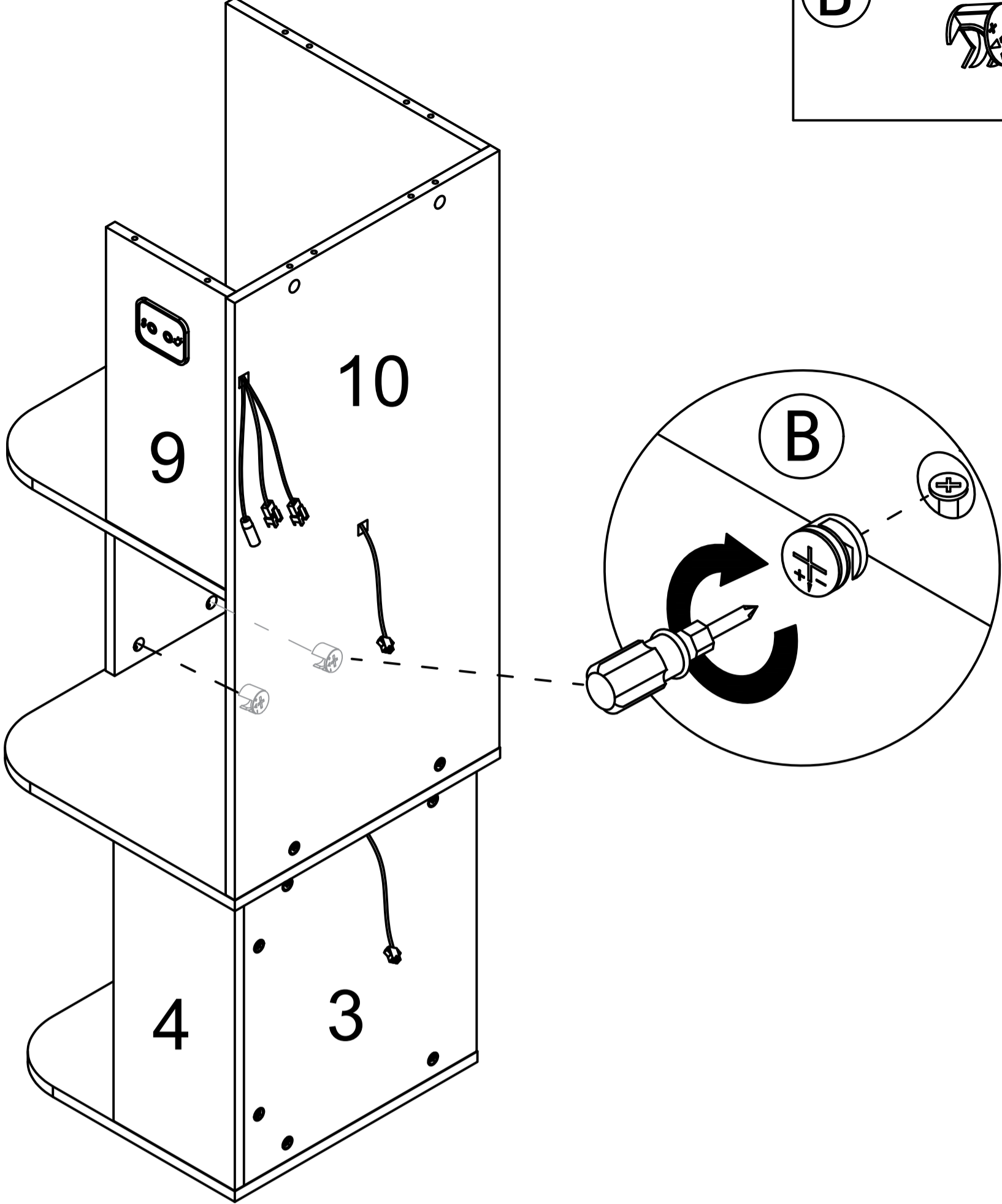
Step 21

- (B)  x4

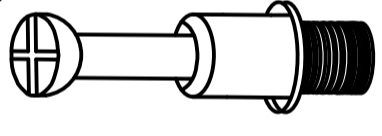


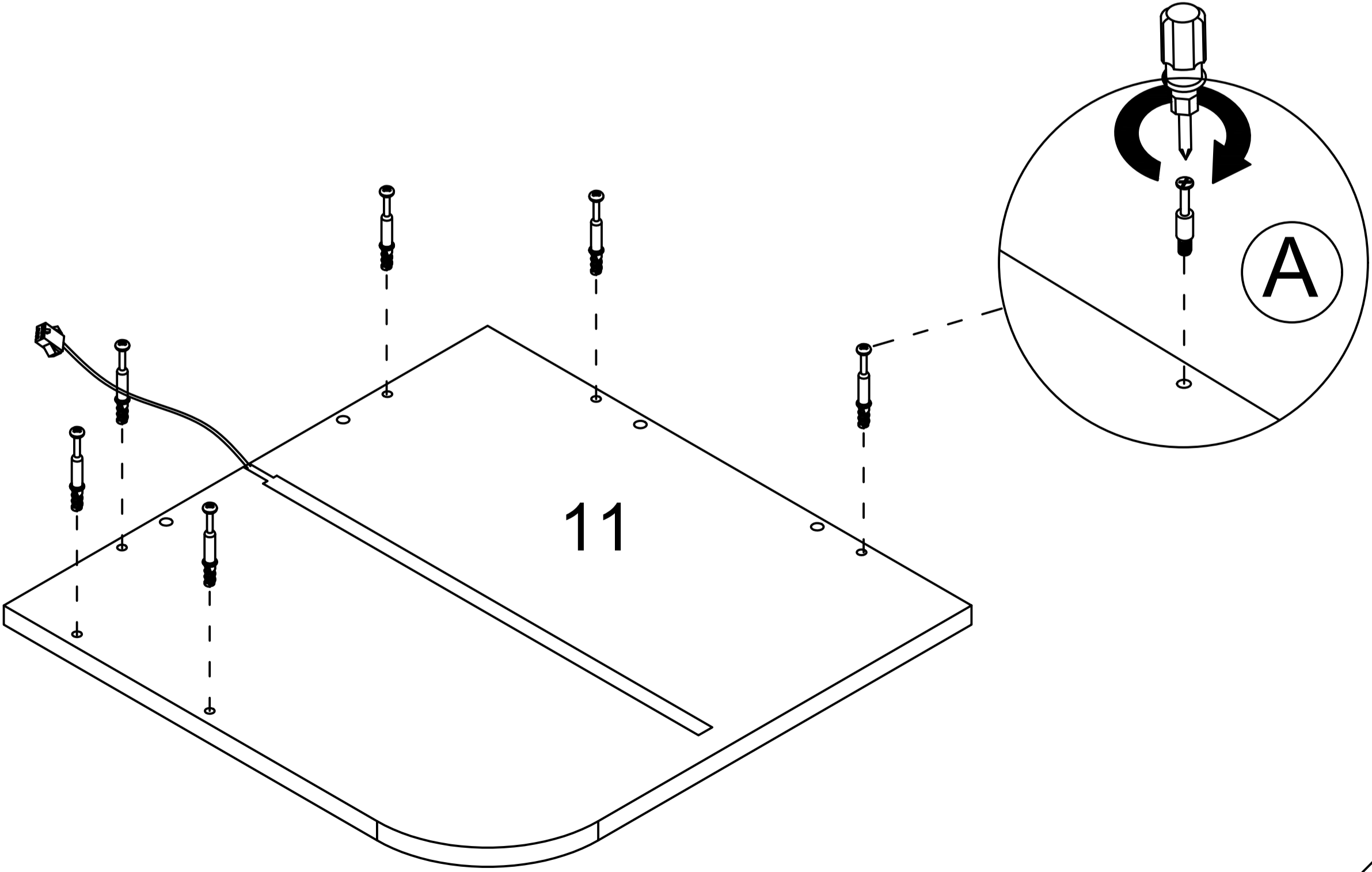
Step 22

B  x2

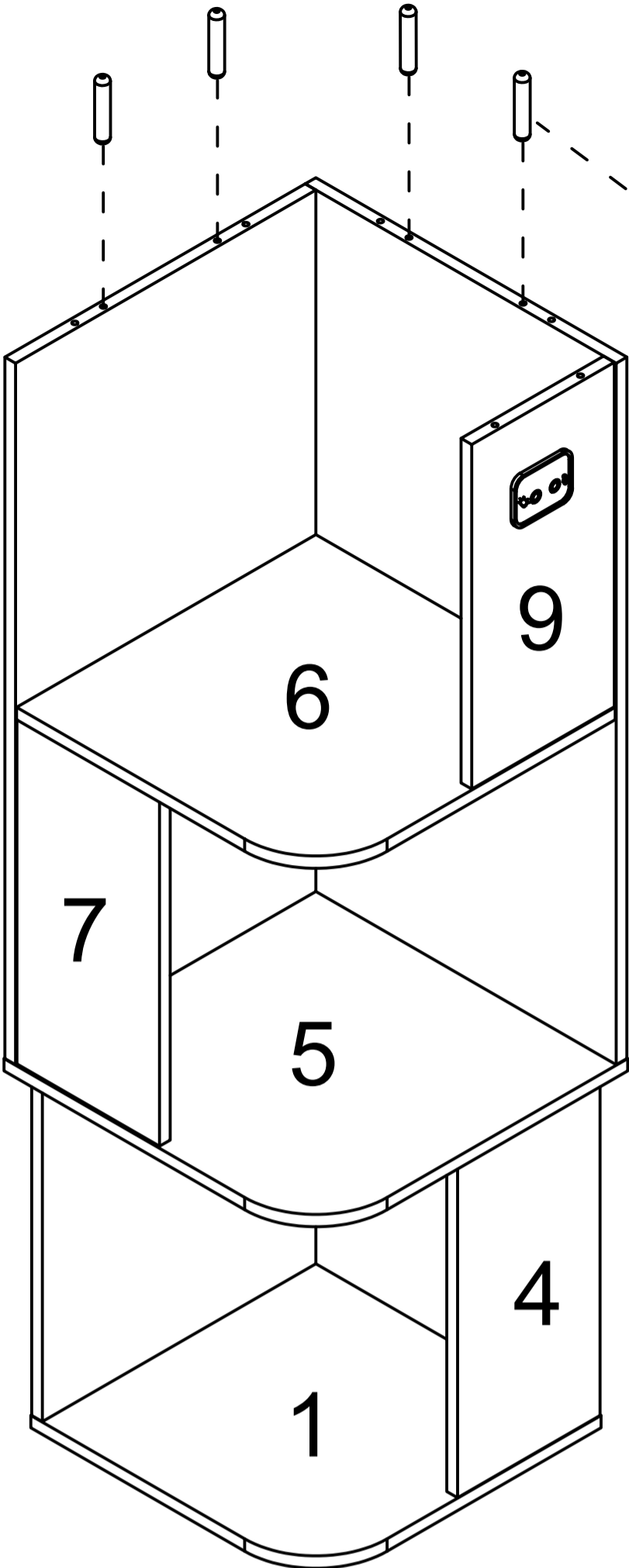



Step 23

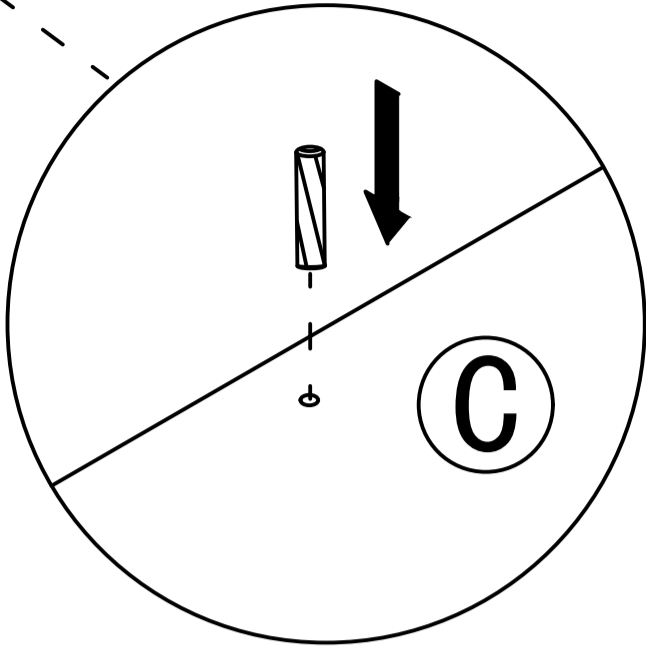
A  x6



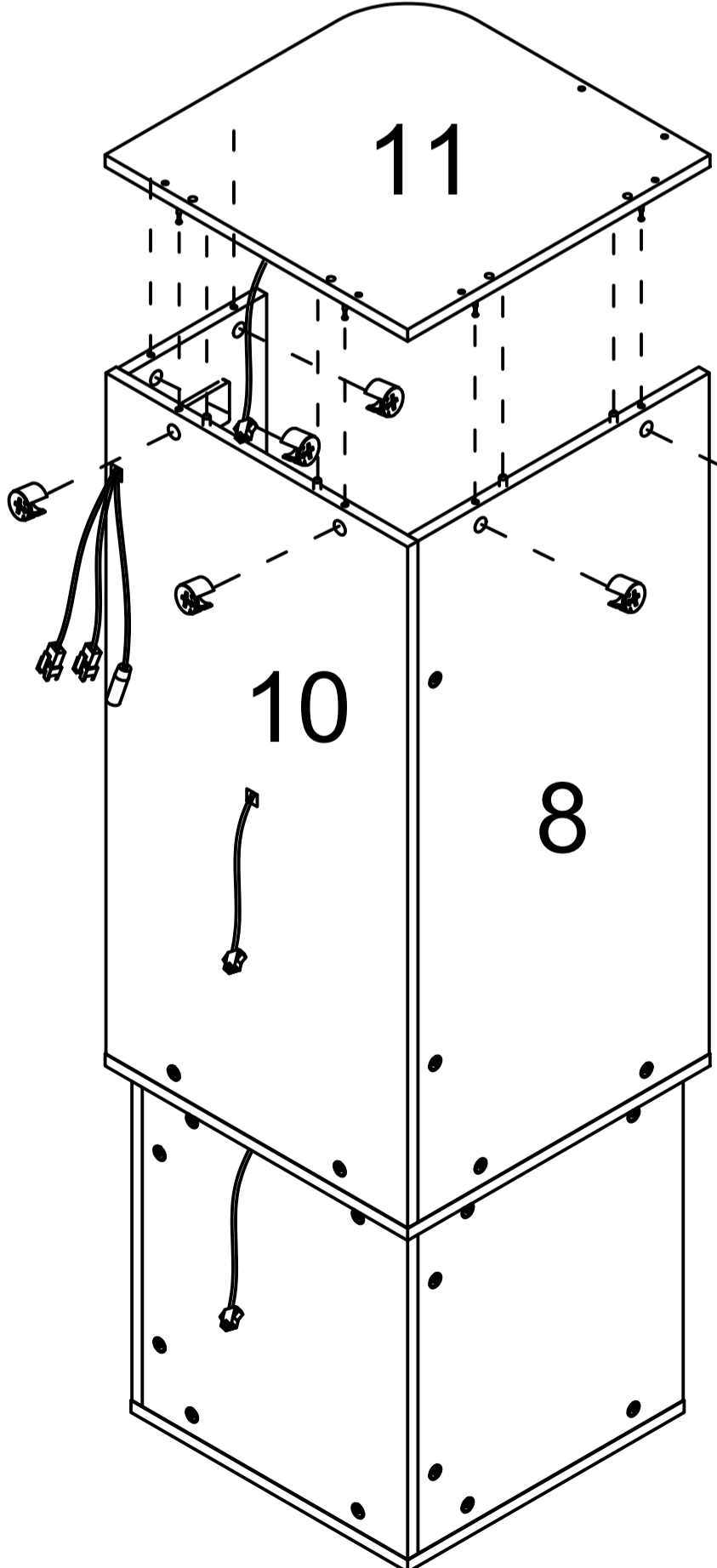
Step 24




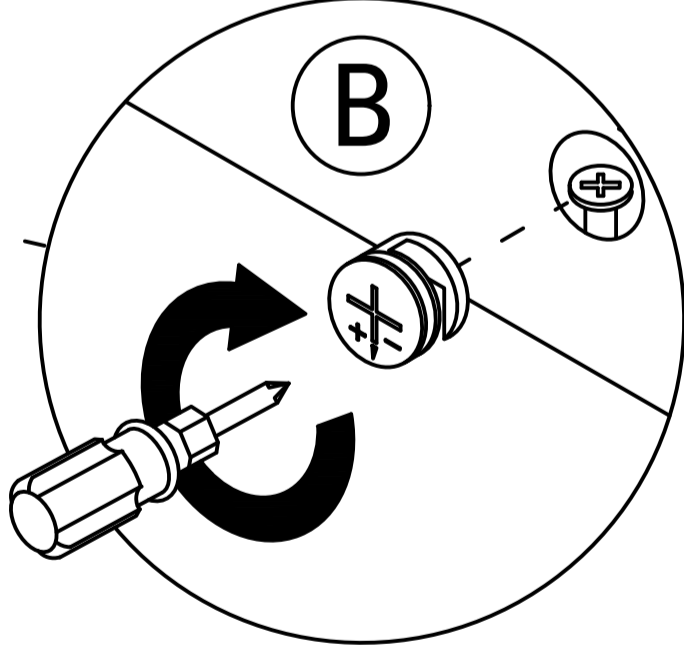
C  x4



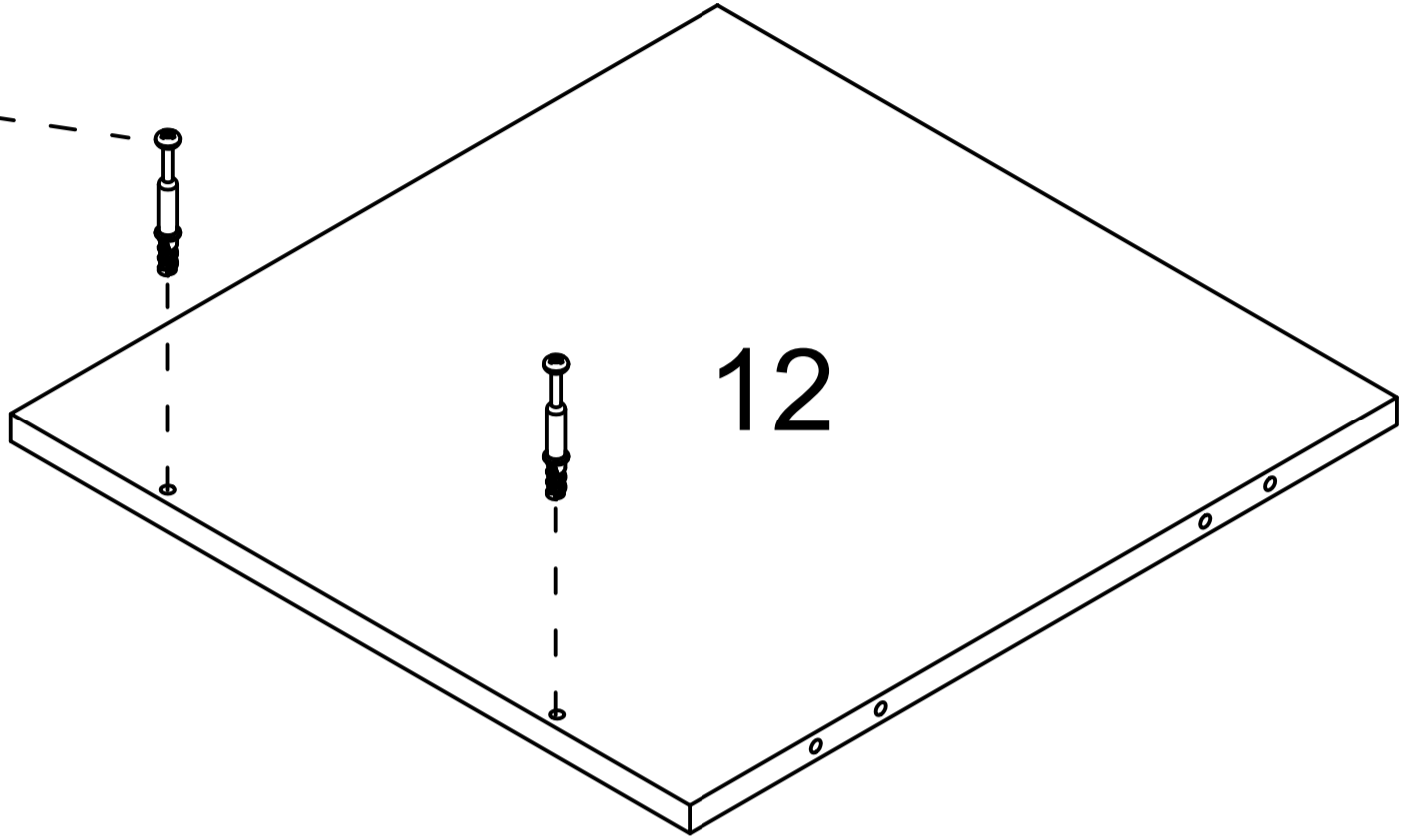
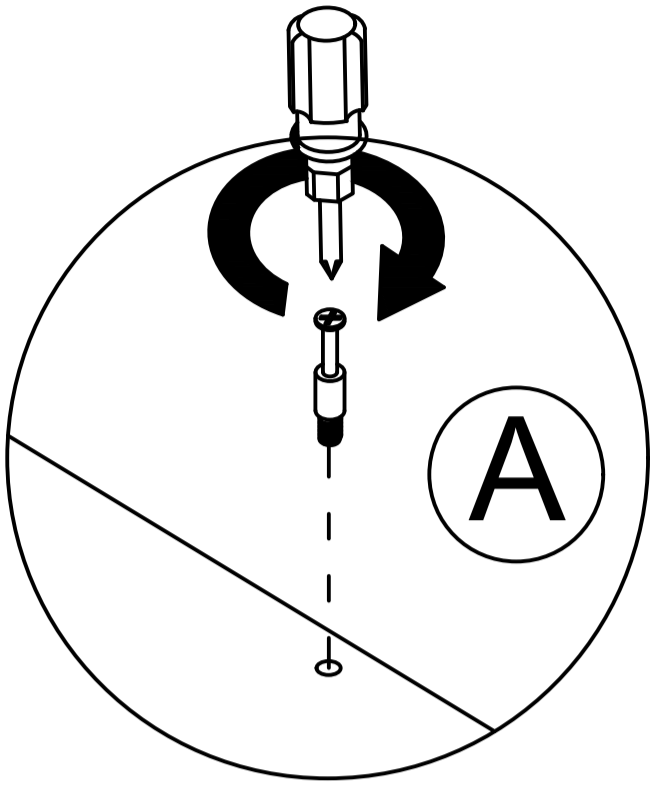
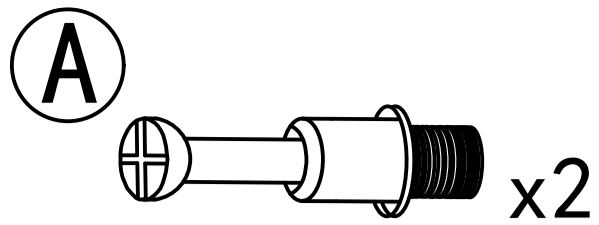
Step 25



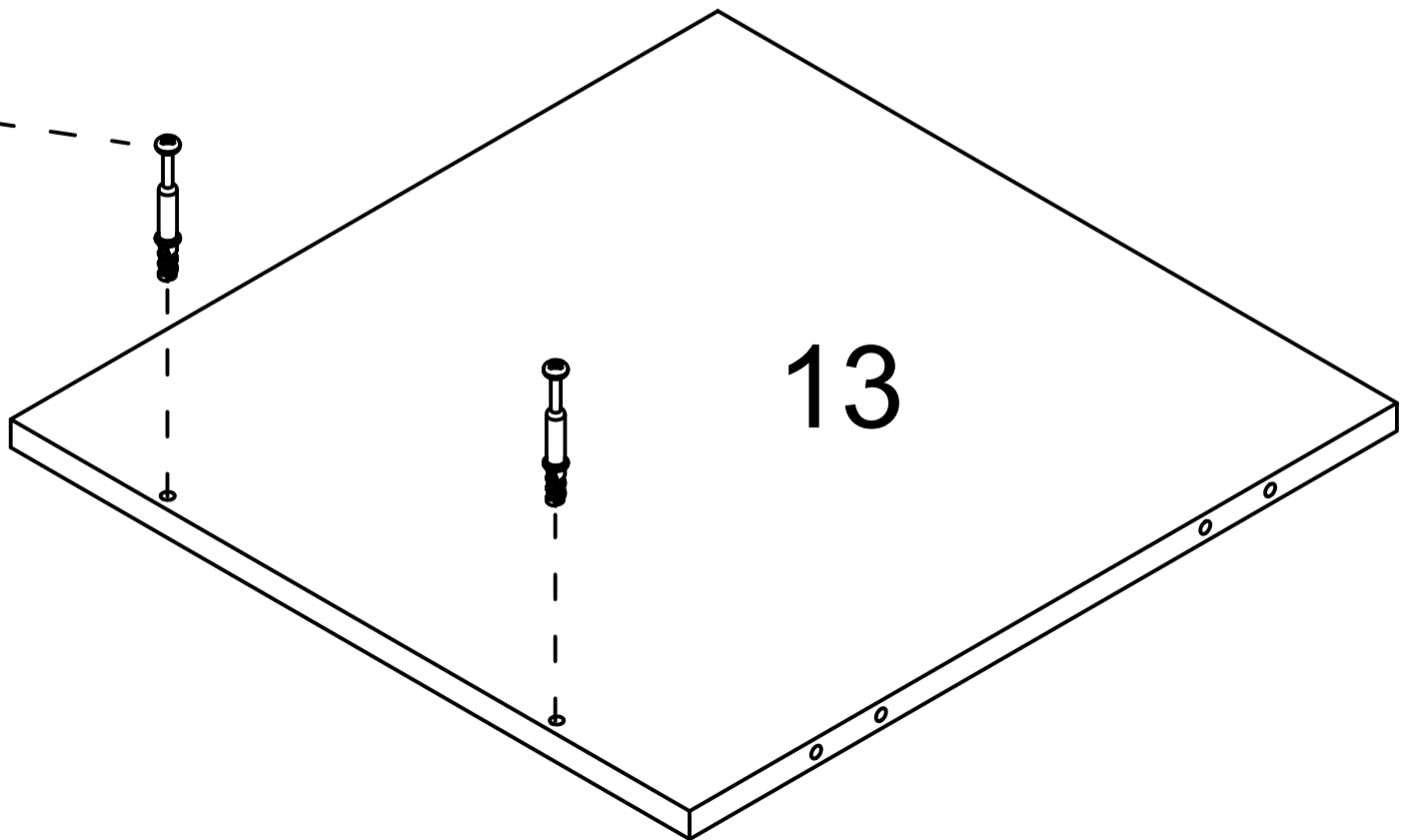
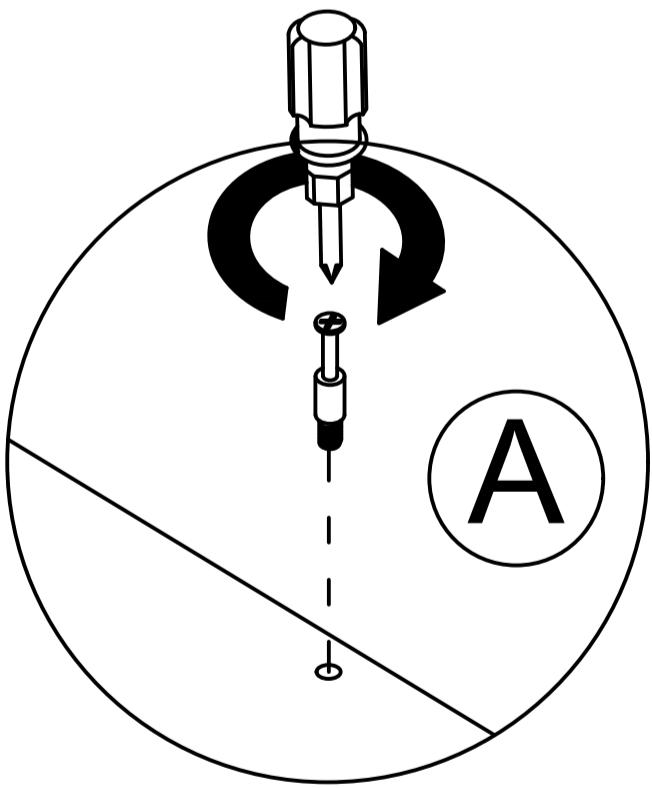
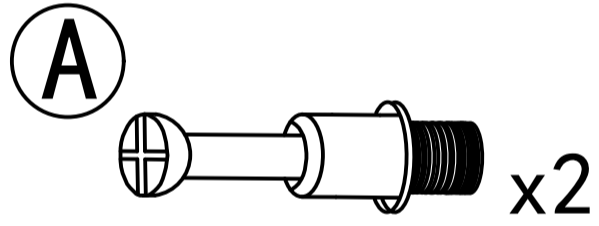
B  x6



Step 26

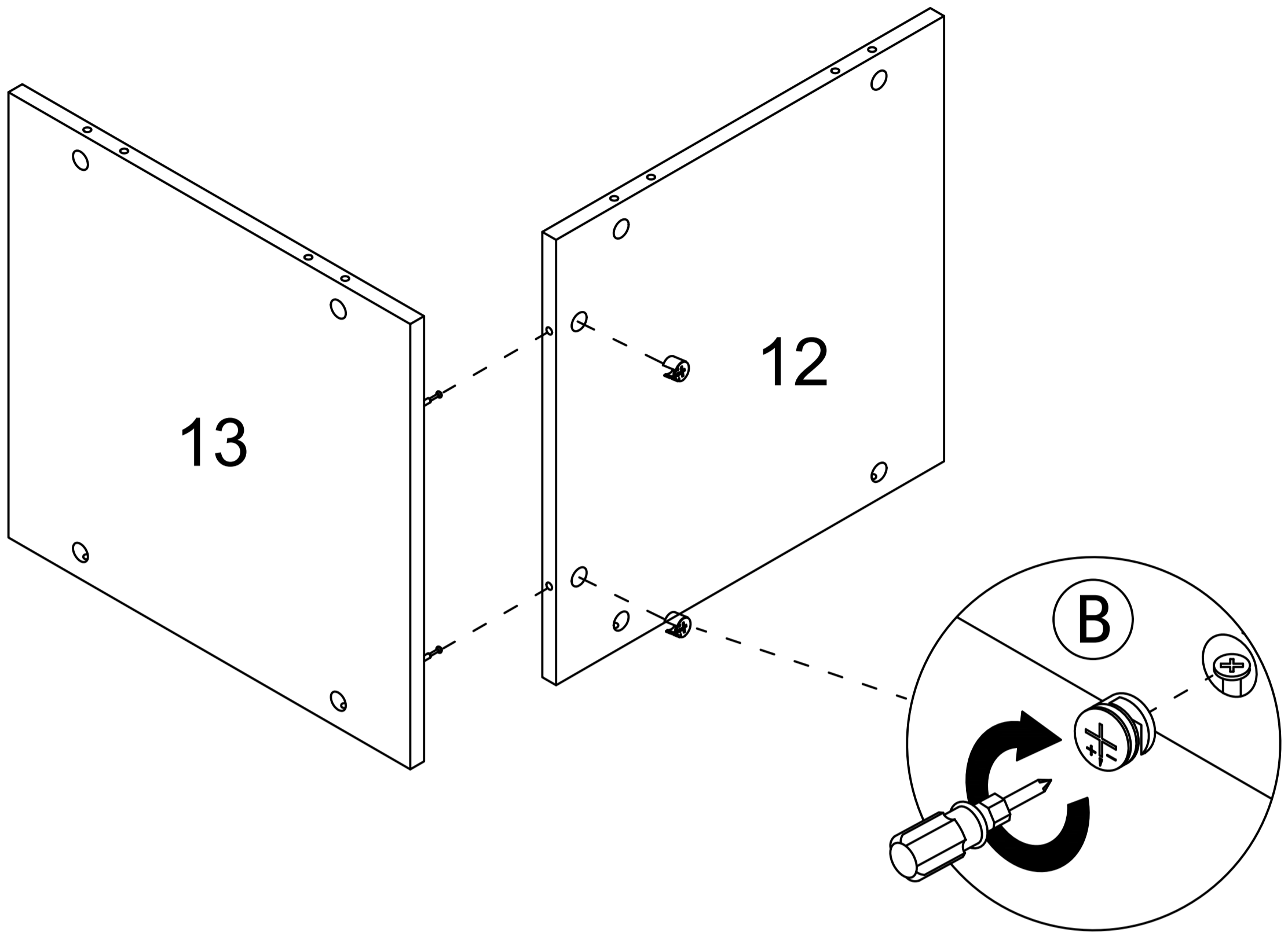


Step 27



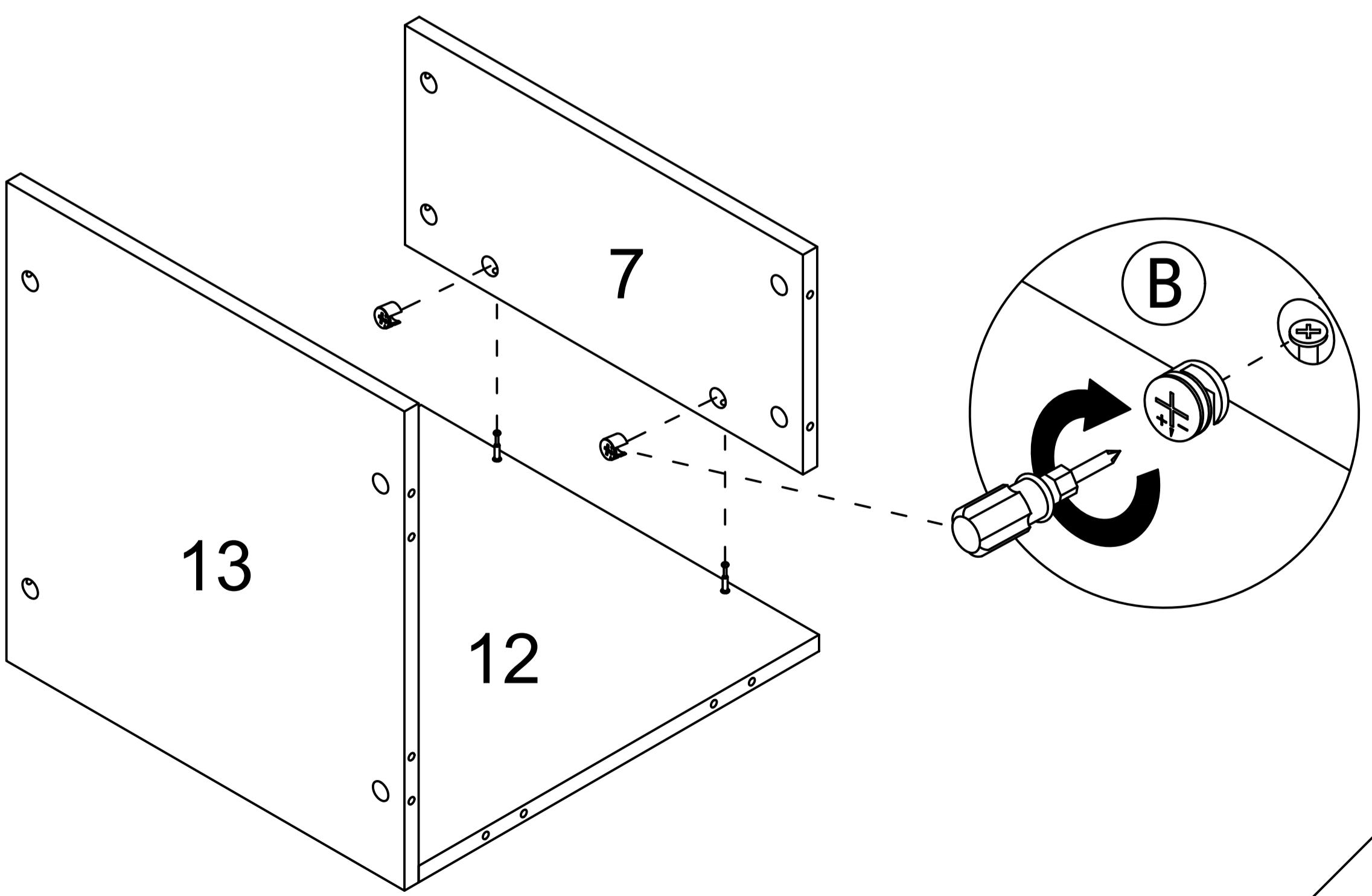
Step 28

B  x2

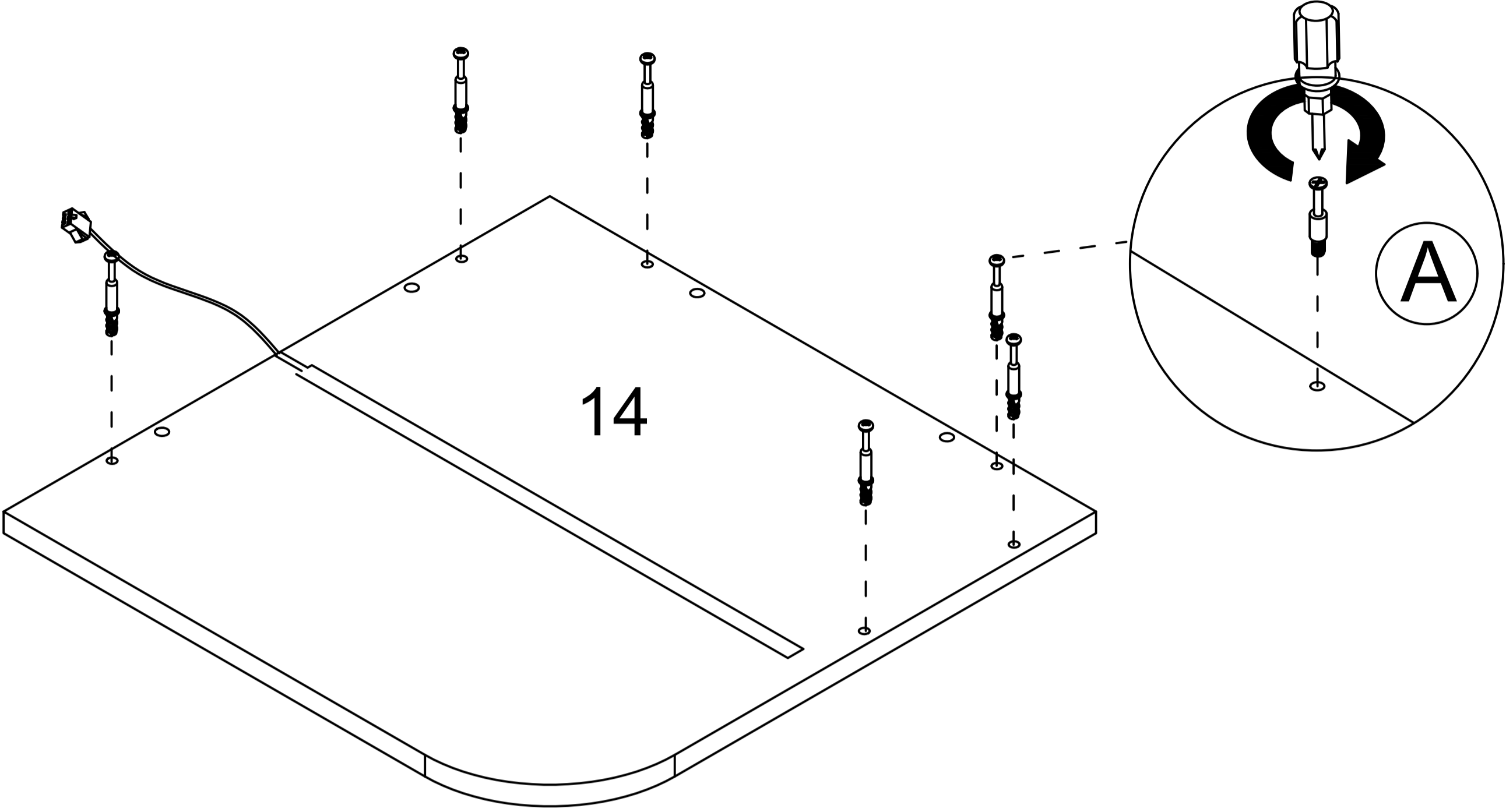
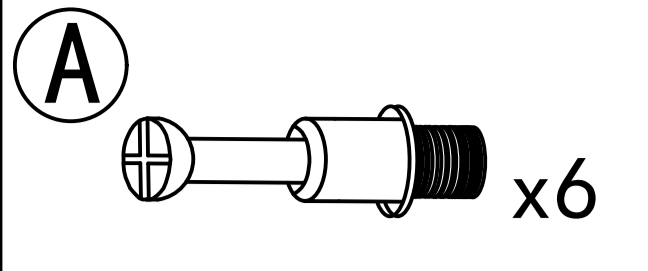


Step 29

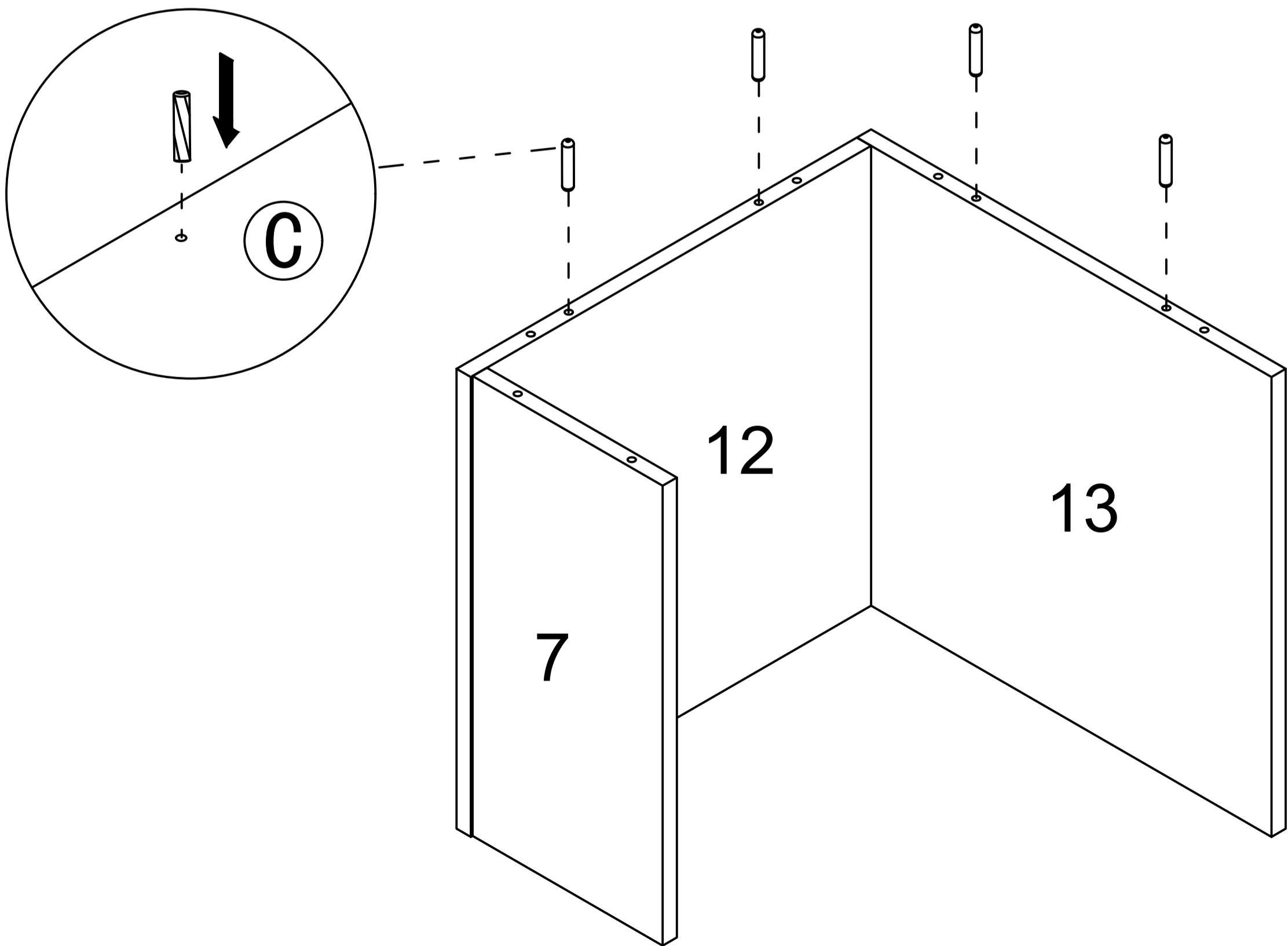
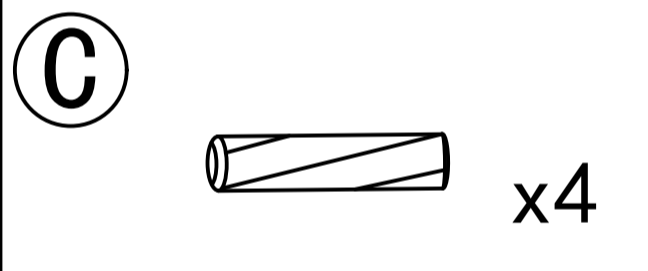
B  x2



Step 30



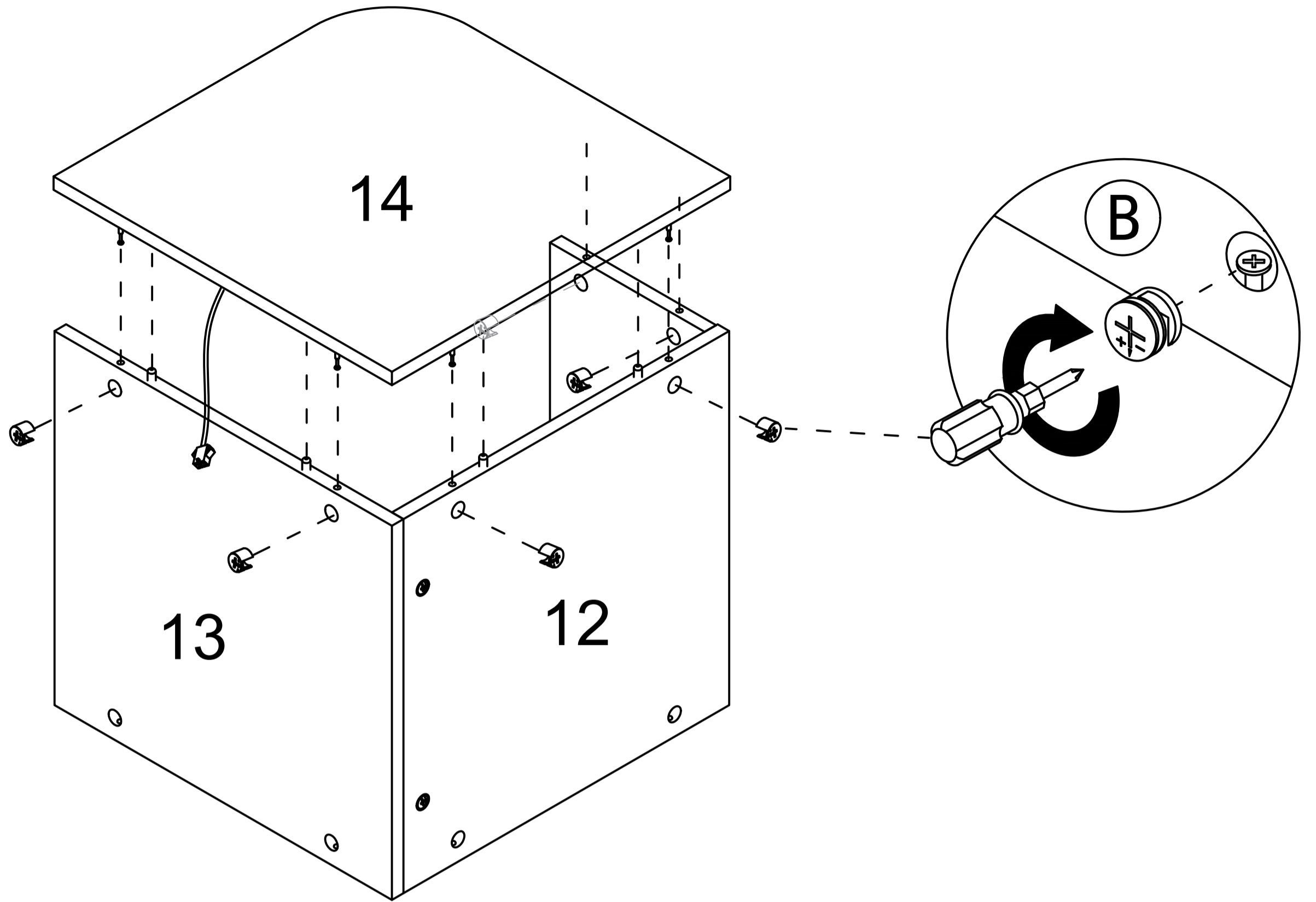
Step 31



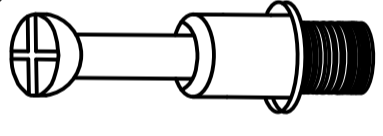

SY

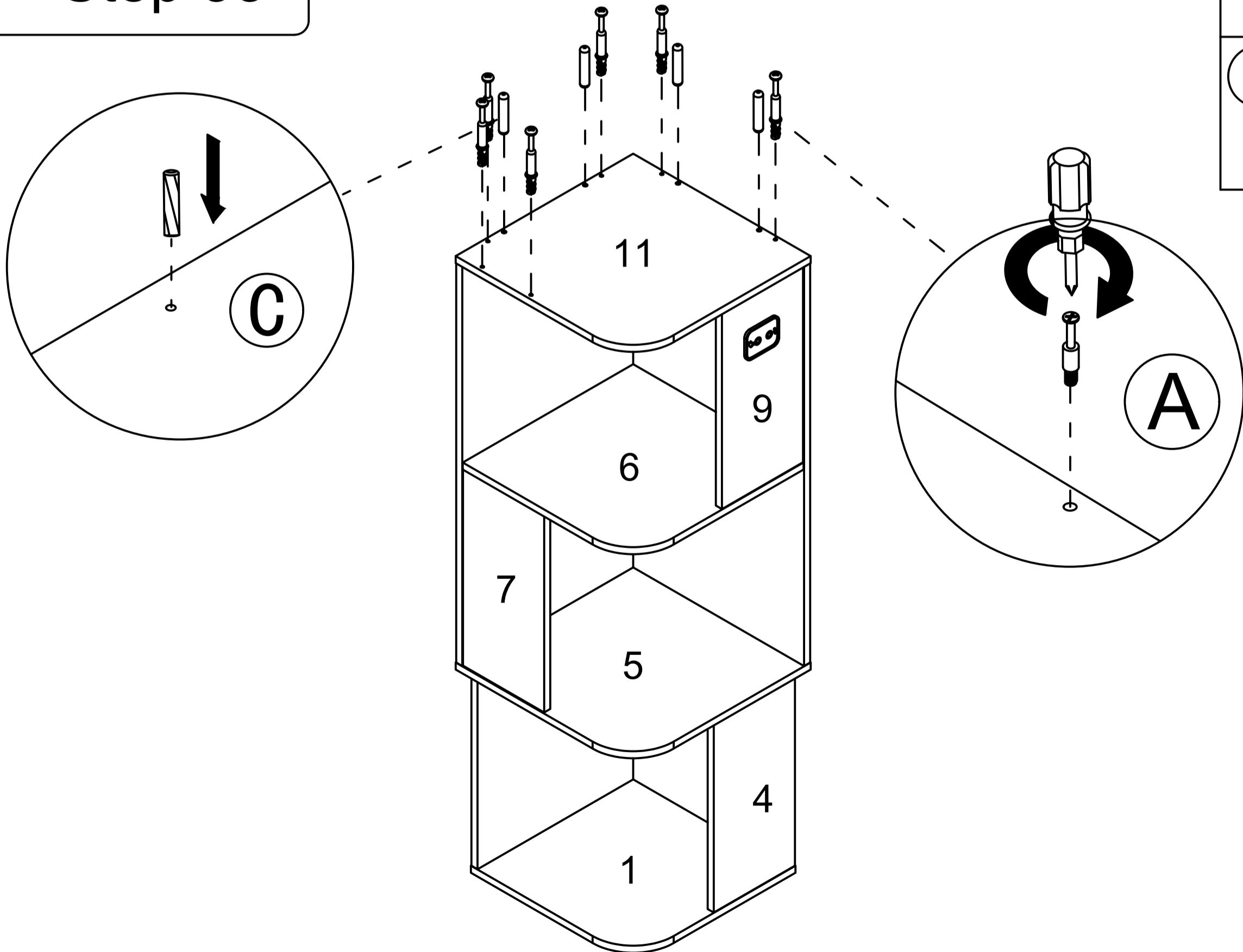
Step 32

B  x6



Step 33

A  x6
C  x4

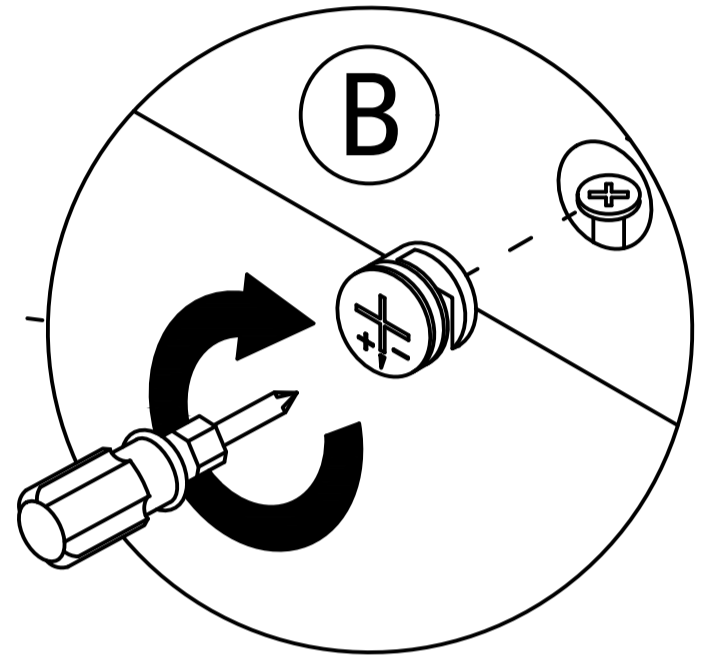
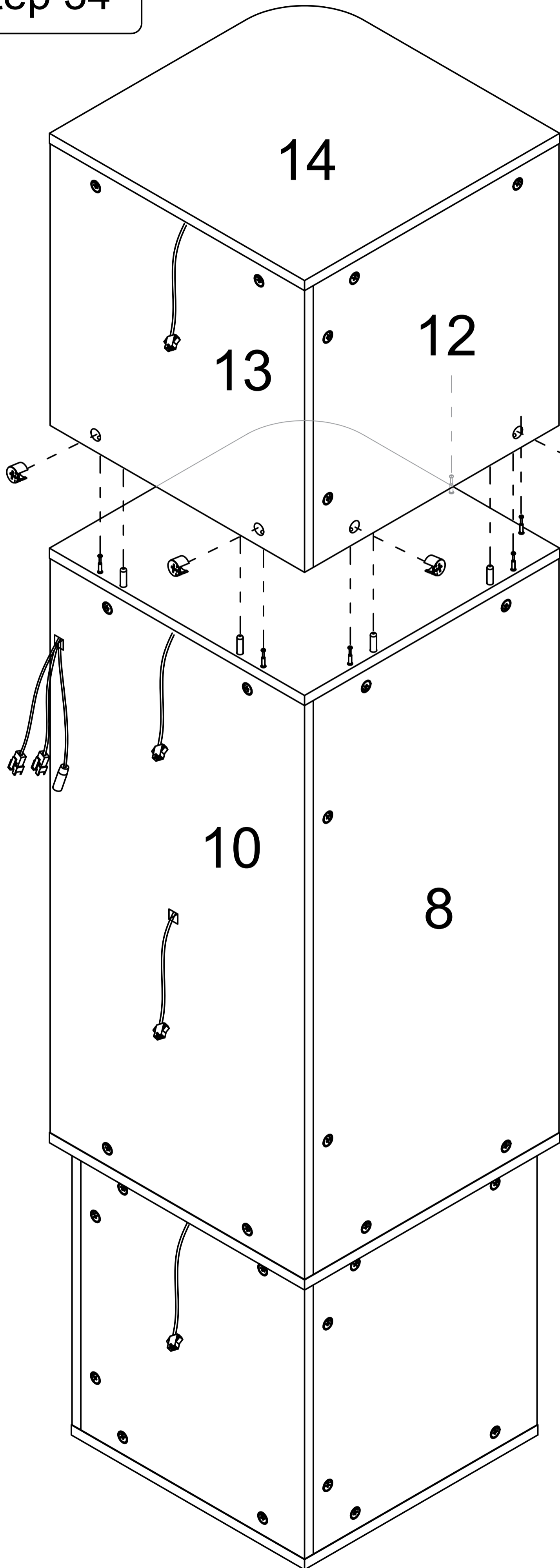


Step 34

(B)



x4

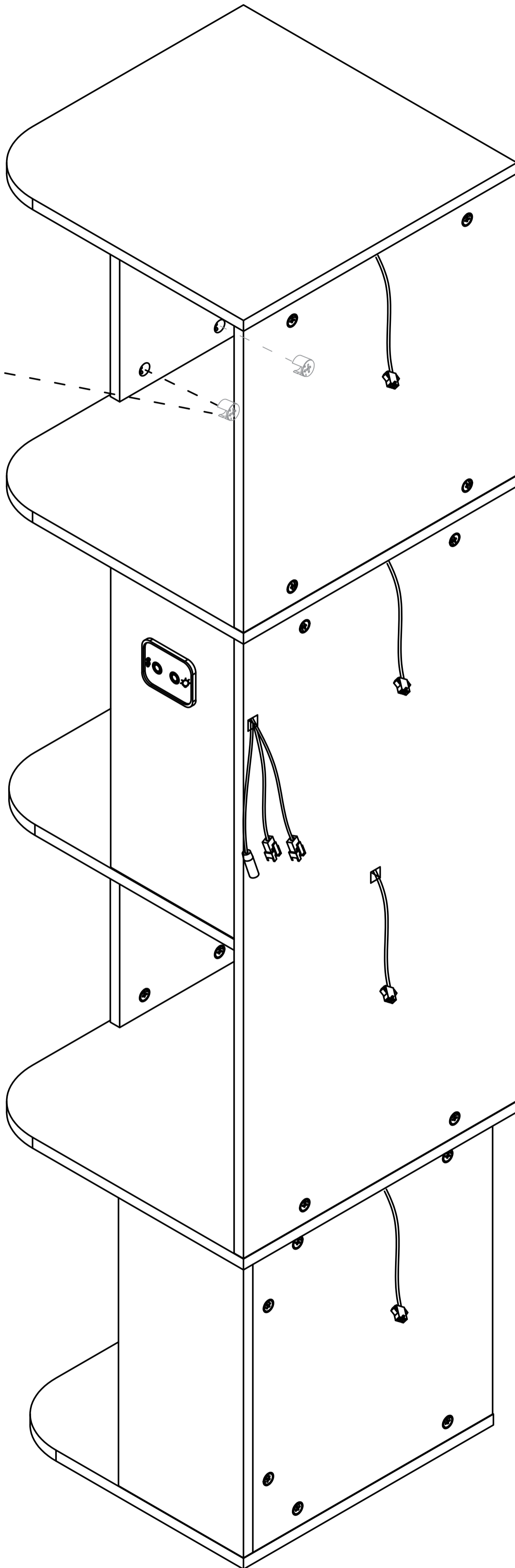
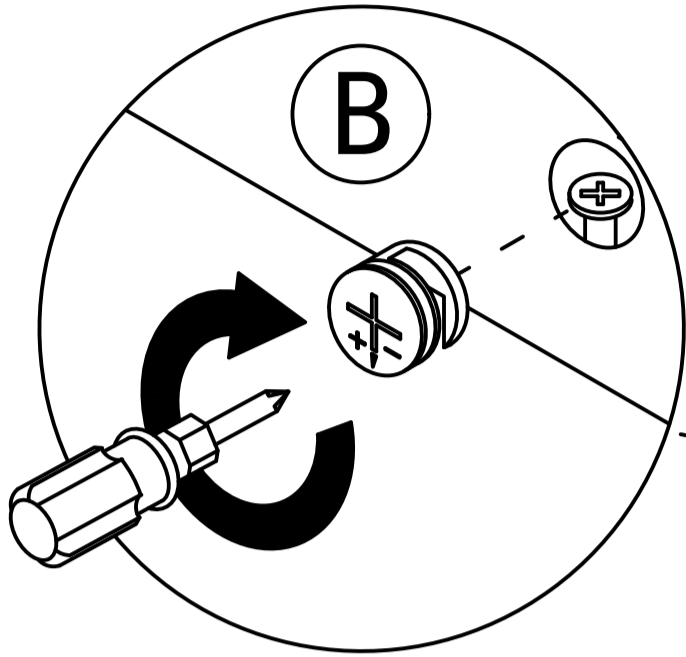


Step 35

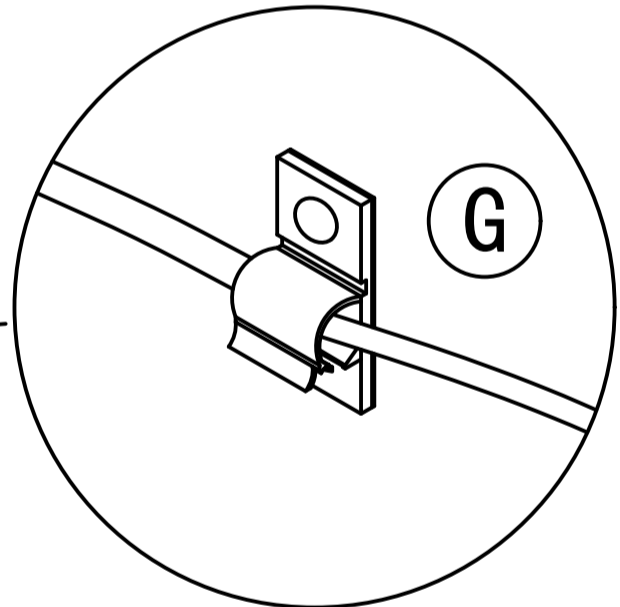
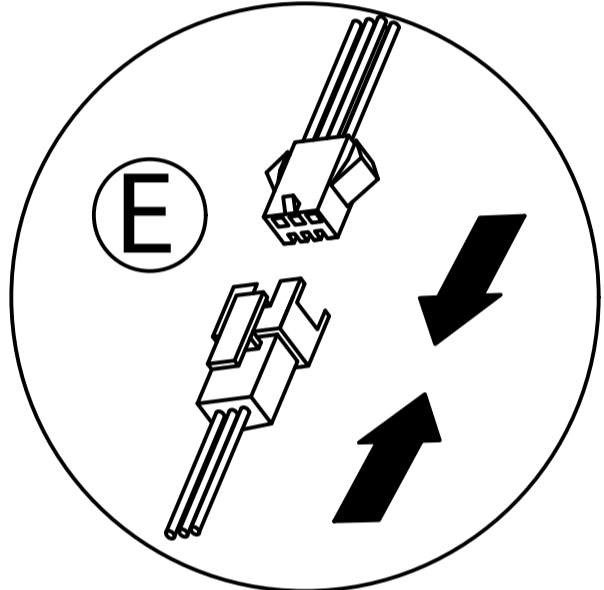
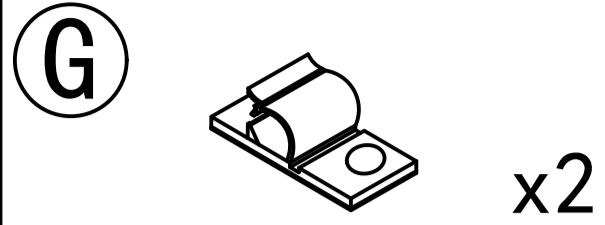
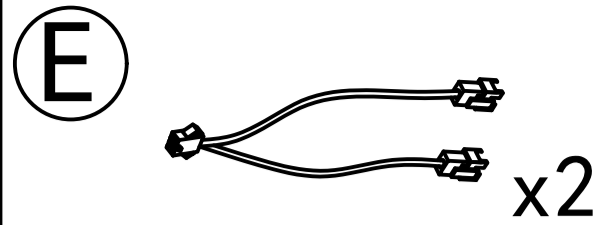
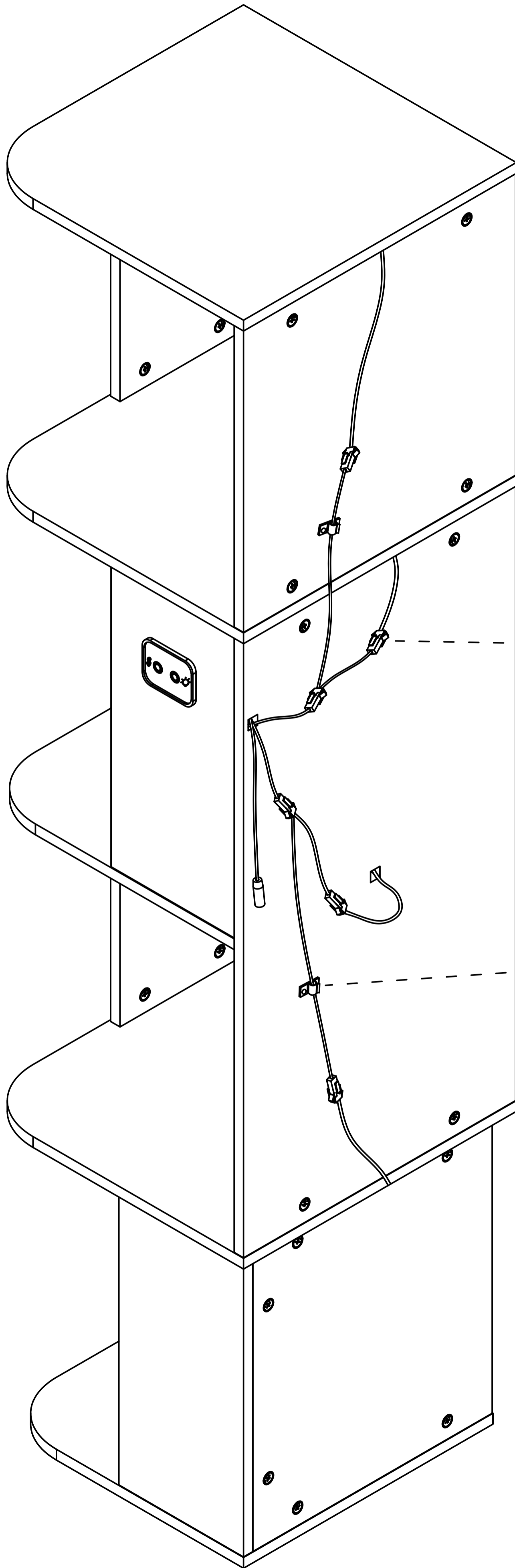
B



x2






Step 36



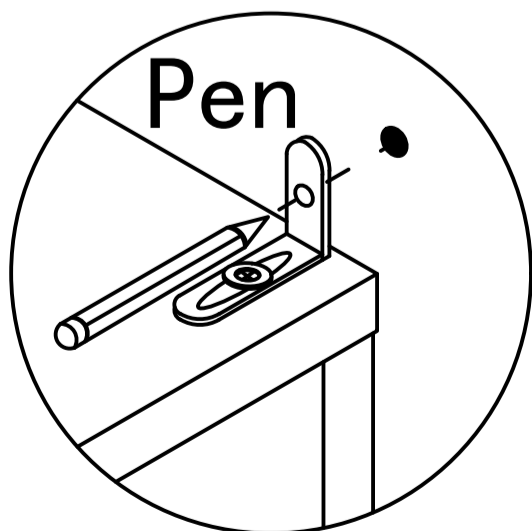
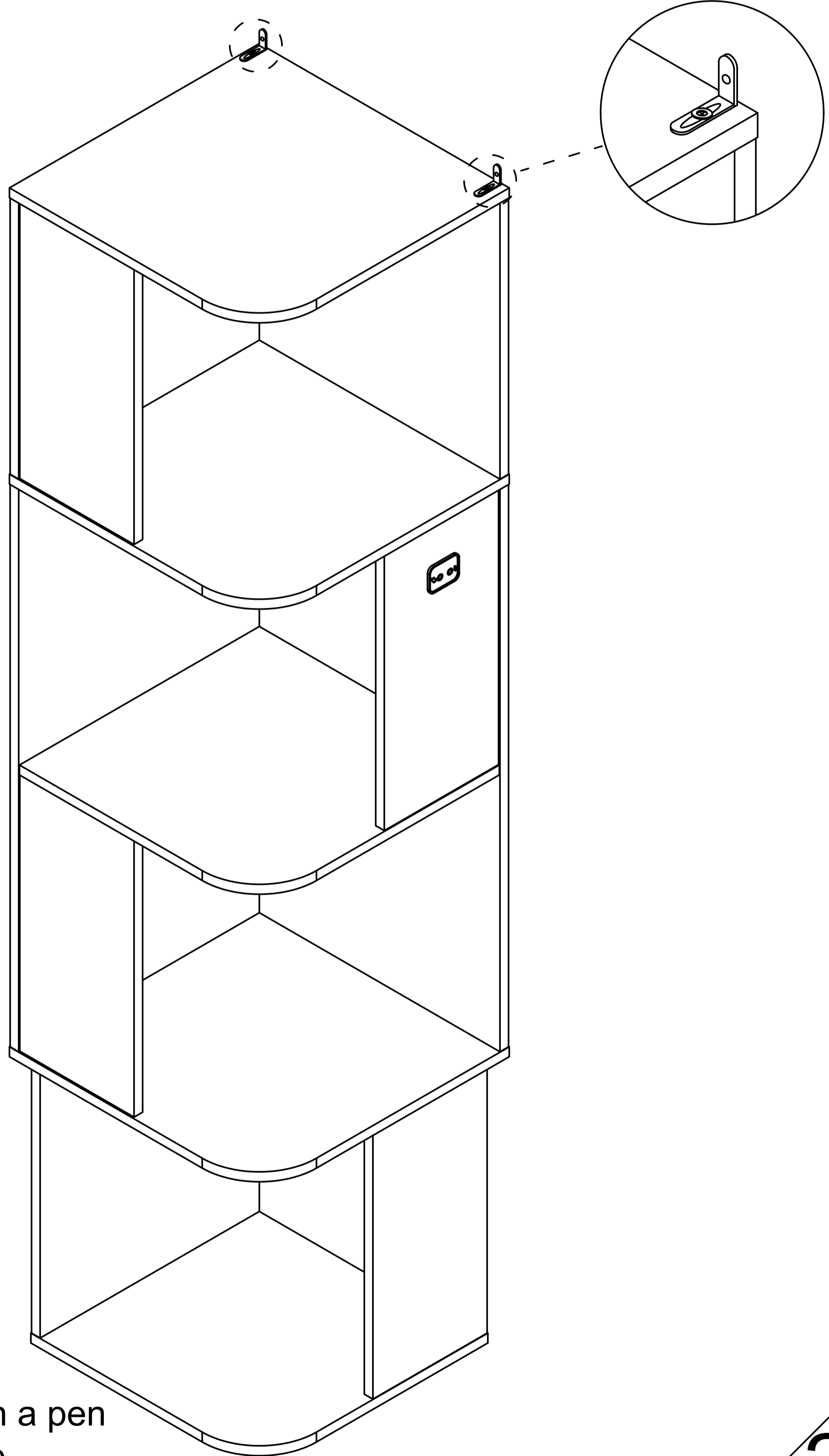
Step 37

Install as required

(H)  x2  x2
 x2




3.5x14mm 

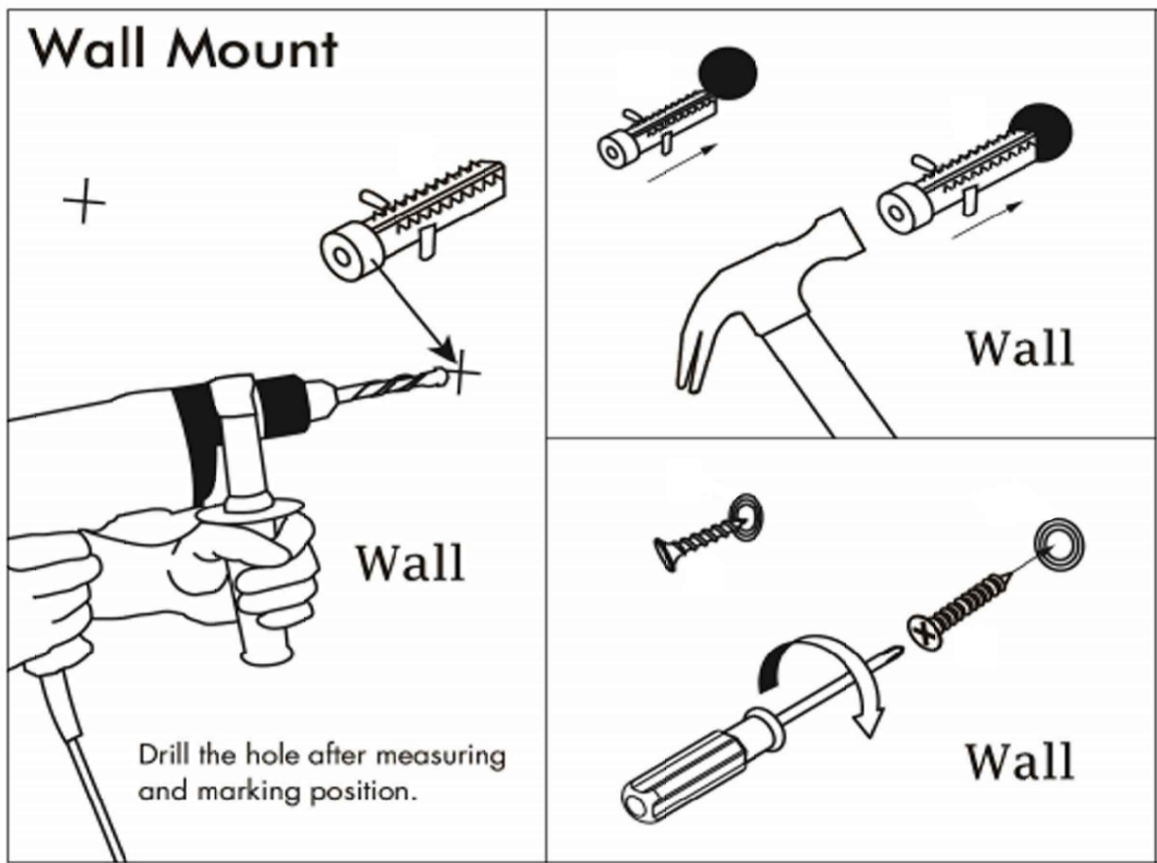
Install the anti fall hardware on the cabinet as shown in the picture first



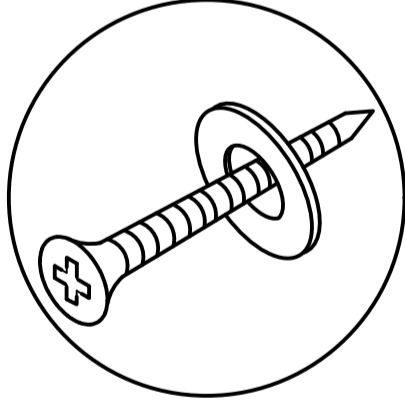
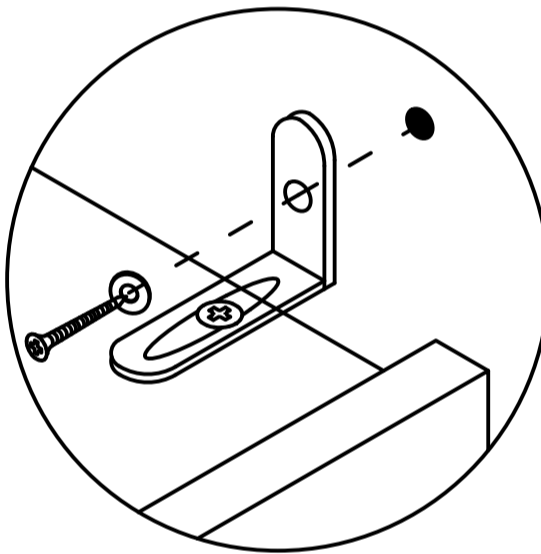
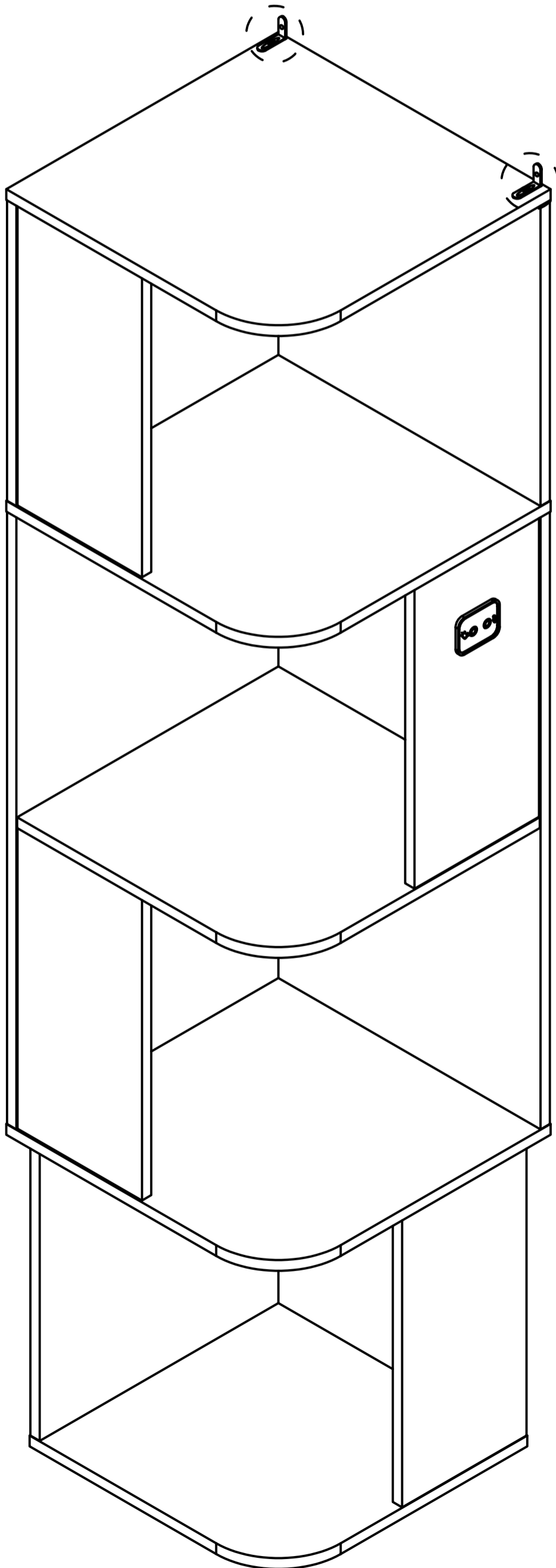
Then mark the wall with a pen through the holes in the anti-fall hardware

Step 38

- (H)  x2
-  x2  x2



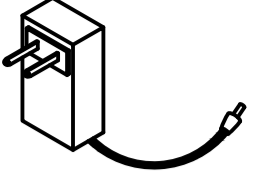
Drill the hole with an electric drill and punch in the colloidal particles

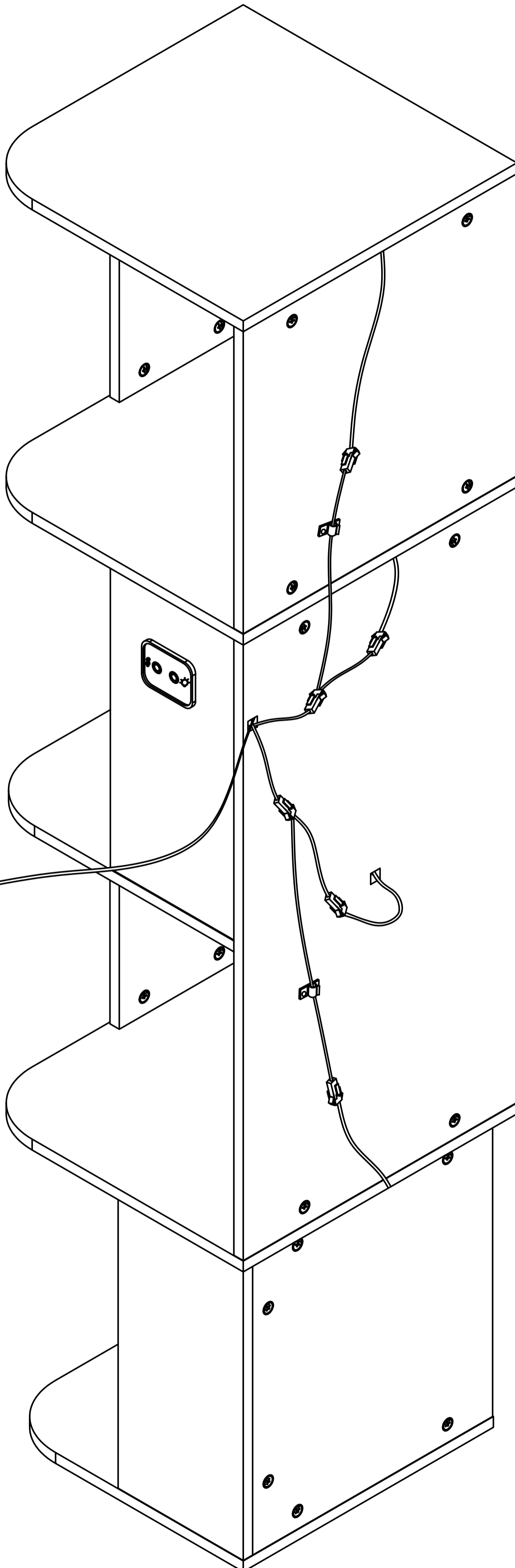
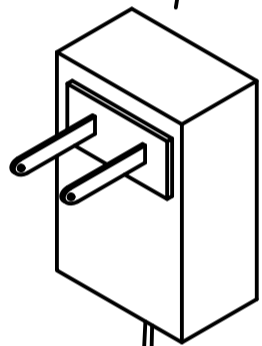
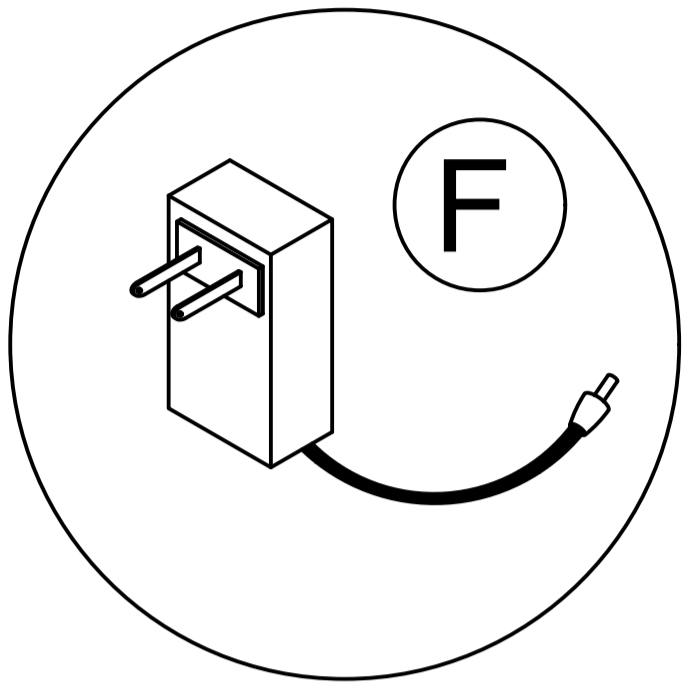


4x45mm

Fix the dressing table to the wall

Step 39

F  x1



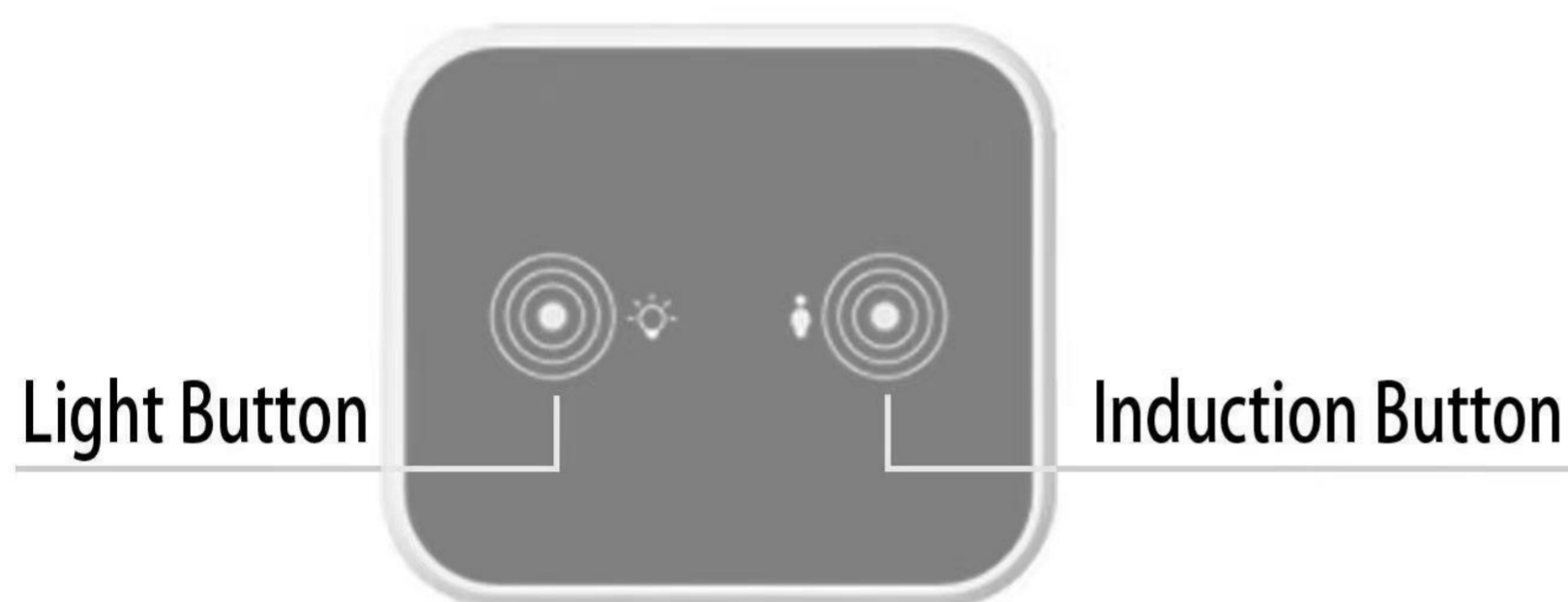
User's Guide

Thank you for purchasing this product. To use this product, please plug it into a 12V DC power supply. Please use if the product works normally after connecting to power.

Introduction

The box is an intelligent controller with 2 touch buttons. It can turn ON/OFF the light, change light colors, and adjust the light luminance.

Product Show



ATTENTION PLEASE

1. If there is no touch response suddenly, Re-plug the power to reset the touch static electricity.
2. If bubbles appear on the panel, remove the protective film.

Operation



This touch button is used to turn on/off, change colors, and adjust brightness.

A. Short touch -> lighting on -> short touch -> change light color -> short touch -> change light color -> short touch -> lighting off. B. Long touch -> adjust the luminance



This touch button is used to turn on/off the induction function.

A. Short touch to turn on the induction function. It can auto-turn on the light when people are close to the controller in 1 meters. It can auto power off the light when the body is far away from the controller after 30 seconds.

B. Long touch to turn off the induction function.

C. Note: When you touch the light button to change the light modes, the induction function will automatically turn off. It is best to turn on this function after selecting the light color and adjusting the brightness you want.