

NOTICE

*Please make sure that you have all parts indicated and they are in good condition before you begin assembly of this item. Refer to part list and hardware list below for guidance.

*This item should be assembled on a soft surface to prevent scratching the finish during assembly.

*This item may require periodic tightening.

*If you are having difficulty, our friendly Customer Care team is always here to help.

PREPARATION

*Before beginning assembly of product, make sure all parts are present. Compare parts with part contents list and hardware contents list.

*If any part is missing or damaged, do not attempt to assemble the product.






*Tools Required for Assembly (included): Allen Key and Wrench Key

*Estimated Assembly Time: 10 minutes.

CARE AND MAINTENANCE

Store outdoor furniture indoors or cover well when not in use. Dust regularly with small brush or vacuum. Spills should be taken care of immediately before they harden or stain with a slightly damp sponge.

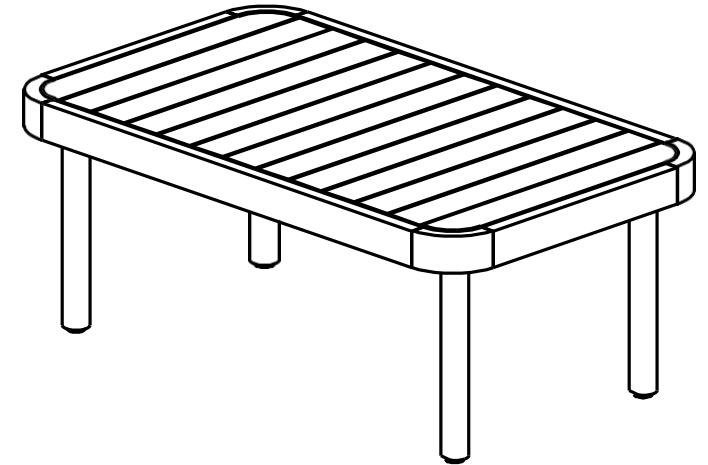
Part List and Hardware List

PIECE	DESCRIPTION	PICTURE	QUANTITY
G	Top table		1x
H	Legs		4x
HW1	Allen Key		1x
HW4	Allen bolt M6x70mm		8x
HW5	Washer M6.5*2mm		8x

Installation & Assembly

PRODUCT DIMENSIONS:

SABRINA TABLE: 23.62"W x 39.96"D x 14.96"H



Weight capacity: 50 Lbs (single seat)

Warning: Do not stand on chair

Warning: Do not over torque bolts/screws

PREPARATION

*Before beginning assembly of product, make sure all parts are present. Compare parts with part contents list and hardware contents list.

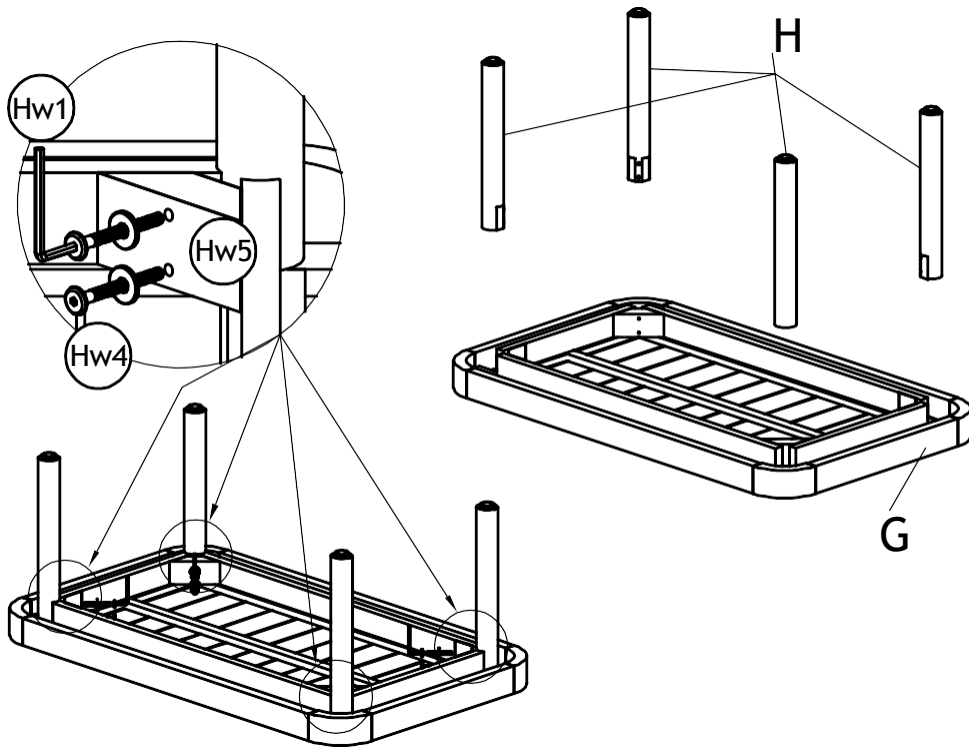
*If any part is missing or damaged, do not attempt to assemble the product.

*Estimated Assembly Time: 10 minutes.

*Tools Required for Assembly (included): Allen Key

*If you are having difficulty, our friendly Customer care team is always here to help.

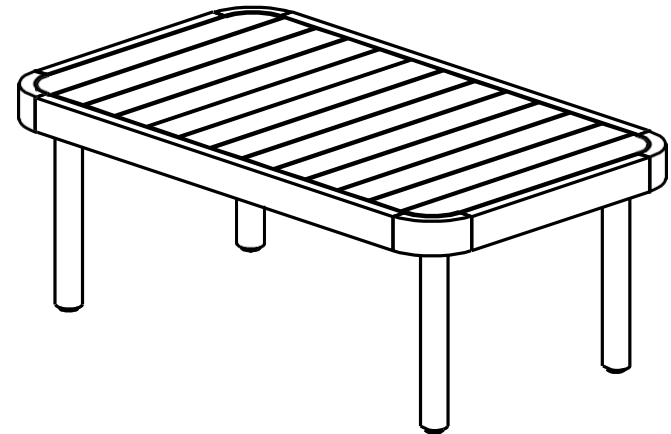
1



STEP 1: Assemble Legs (G) with Top Table (D) by 8 Allen bolts (HW4) and 8 Washers (HW5) using Allen Key (HW1) to fit.

When tightening the Bolts and Screws, tighten sequentially.

2



STEP 2: Inspect the Table and make sure all parts are connected. Place Table in a flat surface for use.