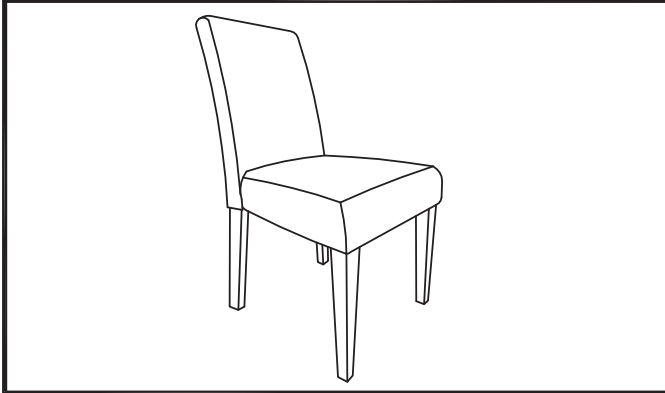








ASSEMBLY INSTRUCTION

DESCRIPTION Uph Side Chair




Thank you for purchasing this quality product. Be sure to check all packing material carefully for small parts which may have come loose inside the carton during shipment. Identify and count all parts and compare with the parts list below:



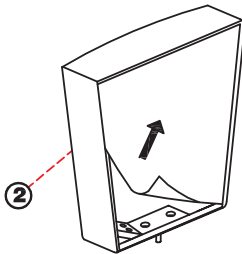
HARDWARE LIST (EACH CHAIR)

NO.	SKETCH	HARDWARE	Q'TY
A		Bolt 5/16" x 1-3/4"	2 pcs
B		Bolt 5/16" x 2"	4 pcs
C		Bolt 5/16" x 3-1/2"	4 pcs
D		Spring Washer	10 pcs
E		Flat Washer(1.5mm)	10 pcs
F		Allen Wrench 4mm	1 pc

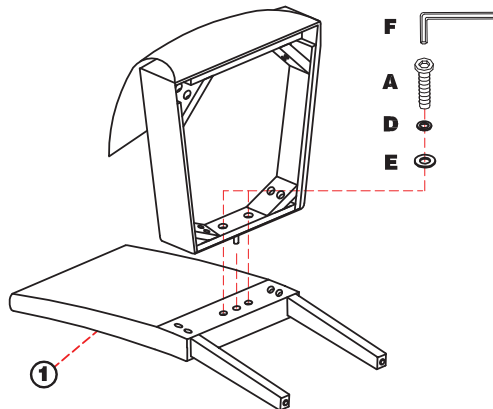
PARTS LIST

NO.	SKETCH	PART	Q'TY
①		Chair Back	1 pc
②		Seat	1 pc
③		Front Leg	2 pcs

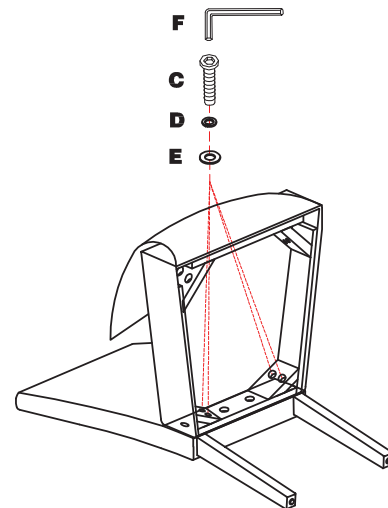
STEP 1



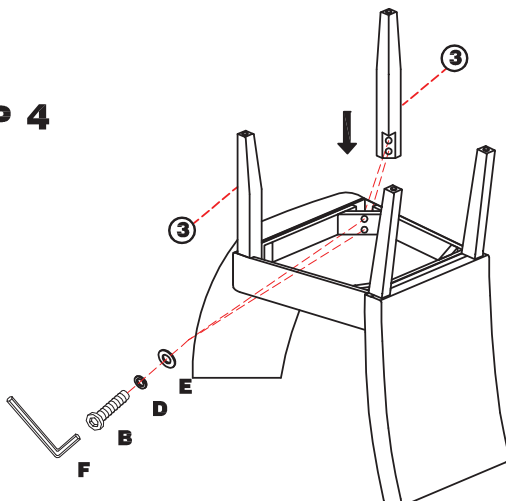
STEP 2



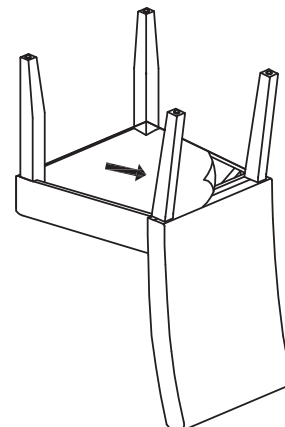
STEP 3



STEP 4



STEP 5



NOTE: DO NOT TIGHTEN ALL THE BOLTS UNTIL THEY ARE INSTALLED IN CORRESPONDING HOLES!

Chair Assembly Tips

Having some trouble putting together your new furniture? We can help! The key to correct chair assembly is to loosely attach all of the bolts, then gradually tighten them in succession until all of them are secure. Completely tightening one or more bolts prematurely can result in the following:

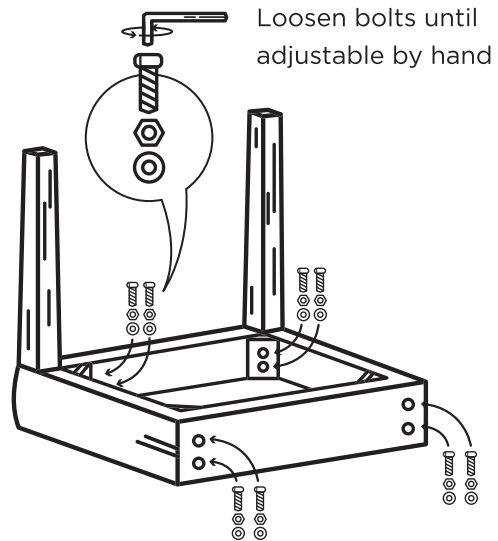
ISSUE: CHAIR IS UNLEVELED

Cause:

- Chairs can be wobbly or unlevelled if one or more bolts are fully tightened before all bolts are attached and/or tightened.

Solution:

- Loosen each bolt in the seat box (front legs, back corner-blocks, and back apron) until they're finger tight. Place the chair upright on the floor. Press firmly and evenly on the seat edges until the product sits level but do not lean against the chair back. Once the chair sits level on the desired surface, fully tighten each bolt.



Cause:

- Chairs can be wobbly or unlevelled if assembly is completed in a different room or surface than where the product is intended to primarily reside.

Solution:

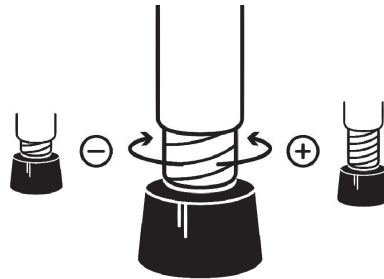
- When assembling your chair, make sure to do it in the location that the chair will most often be used. Uneven flooring frequently accounts for wobbling issues.

Cause:

- Chairs can be uneven in height if built-in levelers or glides are not adjusted properly.

Solution:

- Place your chair in the desired location so that when you adjust the leg heights, they will match your floor terrain. If your chair has threaded levelers, rotate clockwise to increase the leg height and counterclockwise to decrease the height. Adjust each chair leg one by one until the chair sits evenly on the floor.



ISSUE: HOLES ARE MISALIGNED

Cause:

- This issue can occur when some bolts are tightened fully before all other bolts are tightened or attached.

Solution:

- Loosen each bolt in the seat box (front legs, back corner-blocks, and back apron) until finger tight. This will allow you to realign the holes and properly fasten the bolts to the frame.