



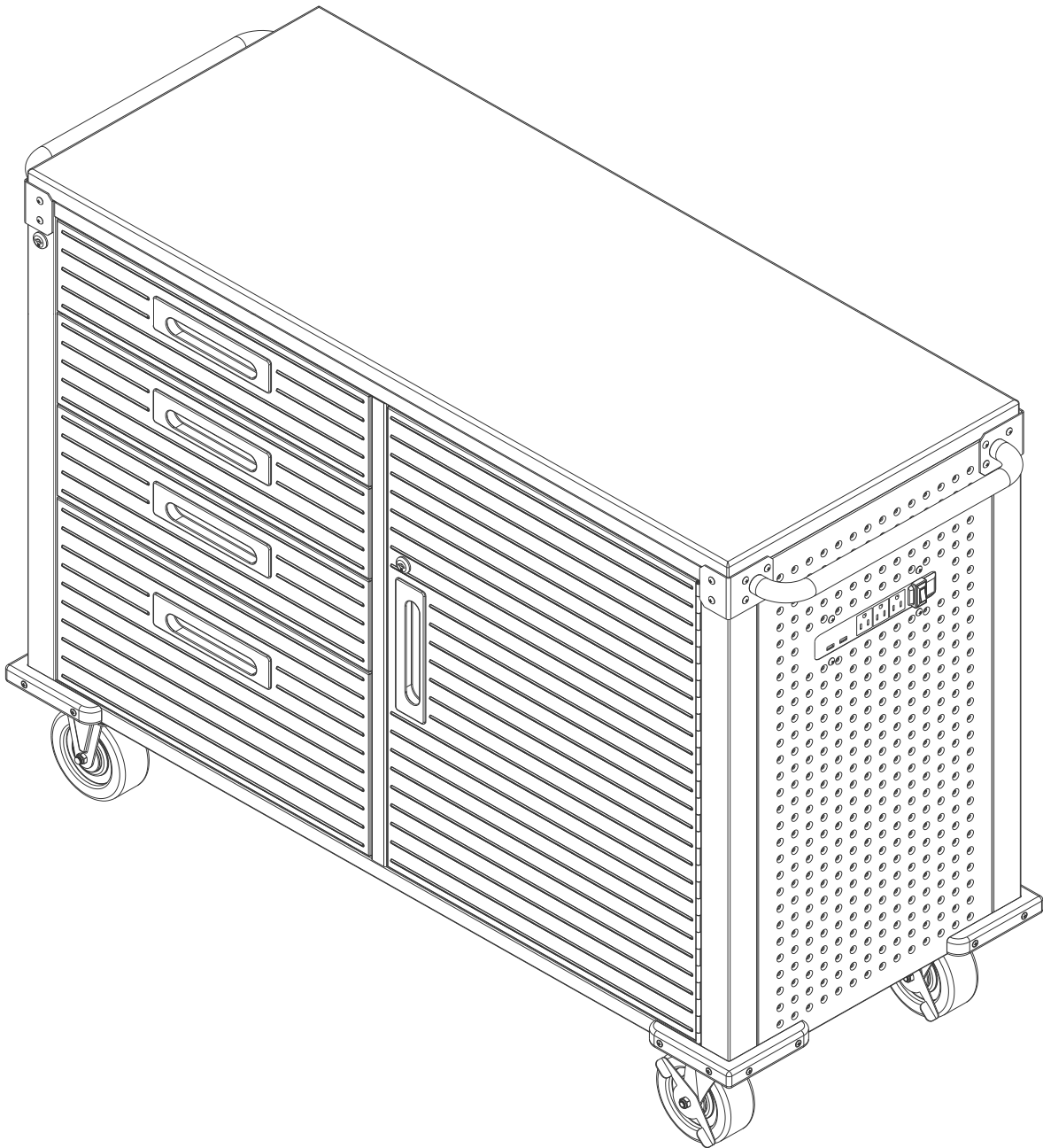
ASSEMBLY INSTRUCTIONS

UltraHD® Rolling Workbench Cabinet (Model No. 20108, 20112)

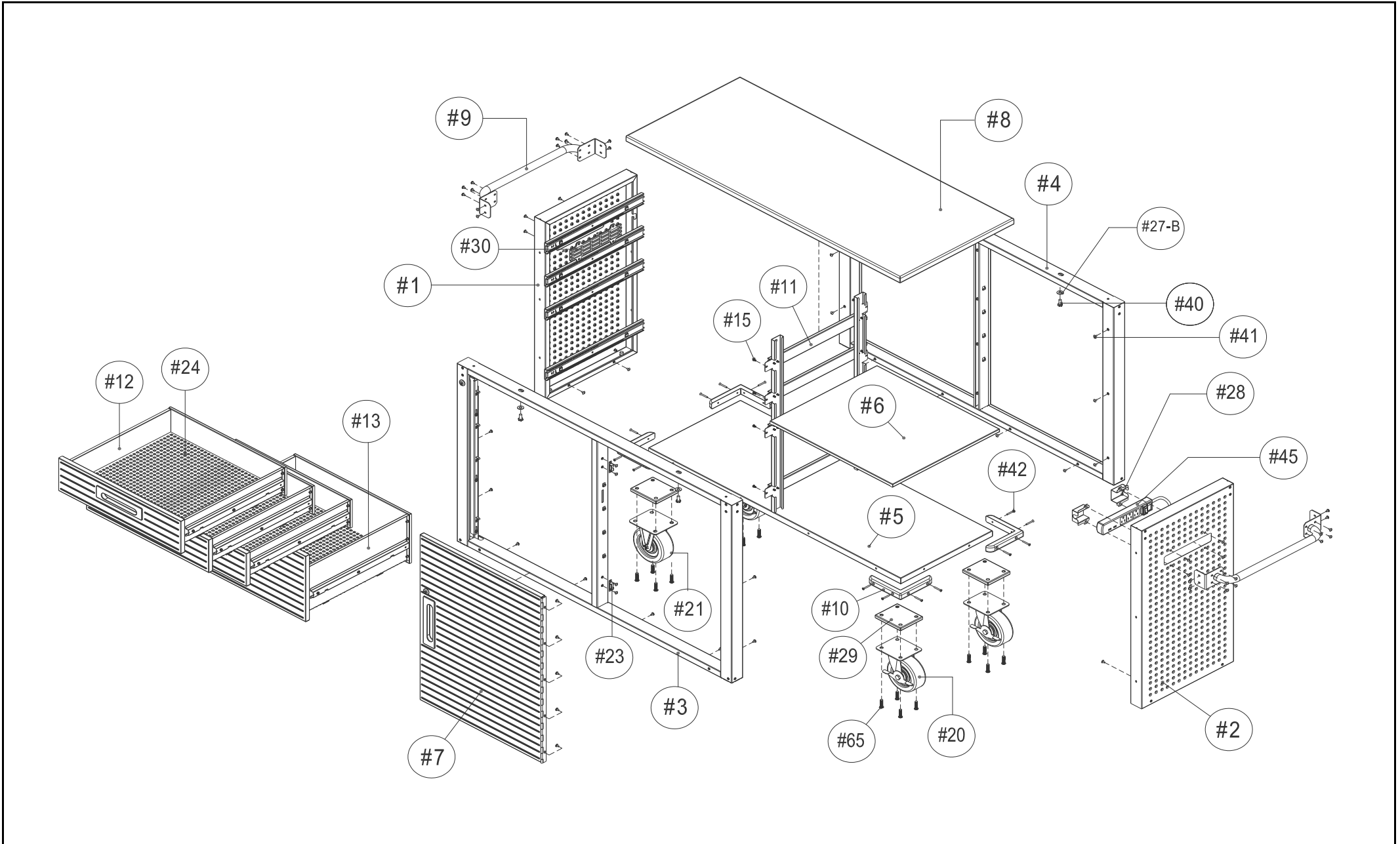
Granite Graphite

(48" W X 20" D X 37.5" H)

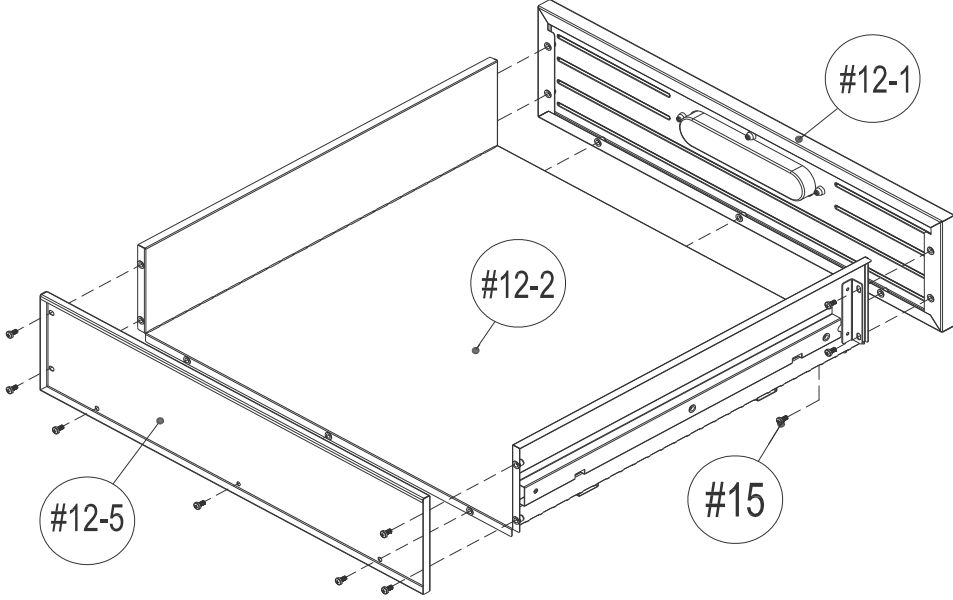
1.21 m X 50.8 cm X 95.2 cm



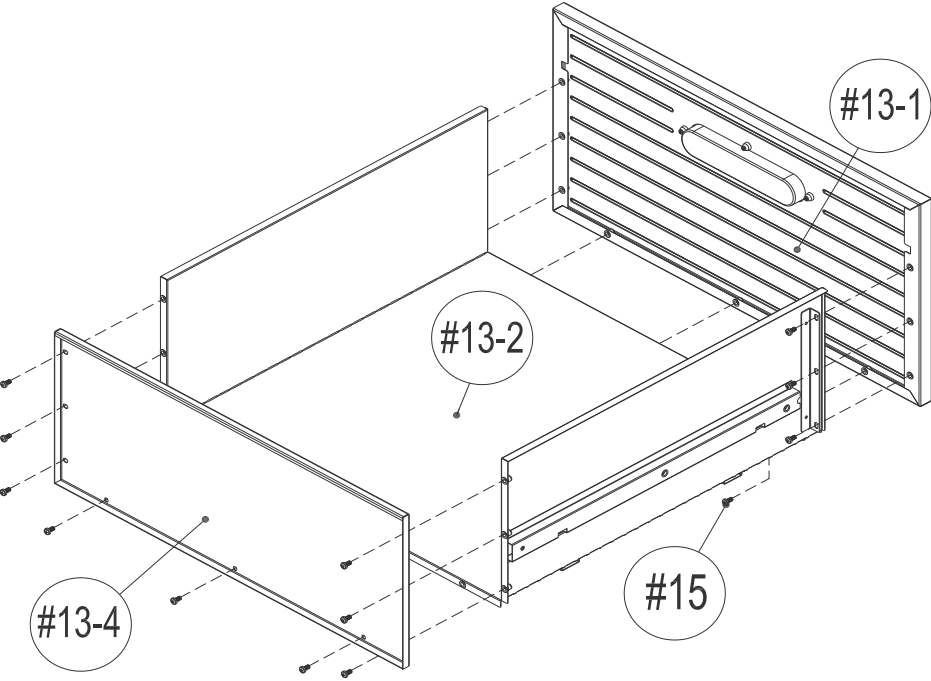
SC230404



(#12)Small Drawer Assembly

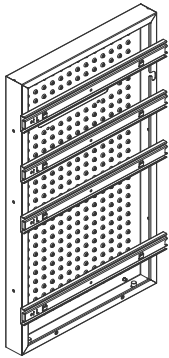


(#13)Large Drawer Assembly

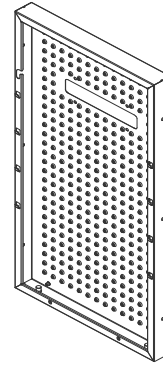


PARTS LIST

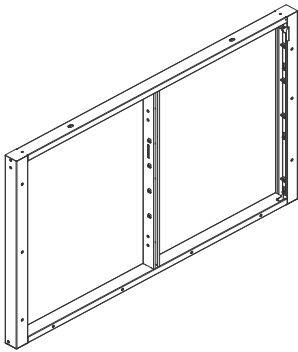
Please check the parts carefully according to the parts list. If you are missing any parts, please contact our customer service department . (Please refer to page 14)



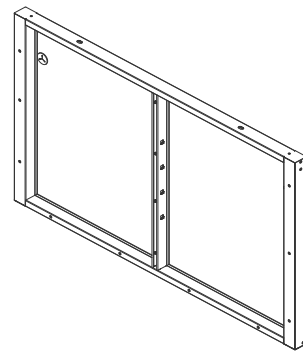
(#1) LEFT PANEL x 1 PC



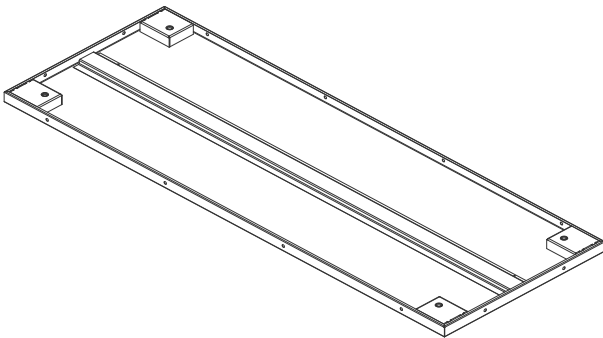
(#2) RIGHT PANEL x 1 PC



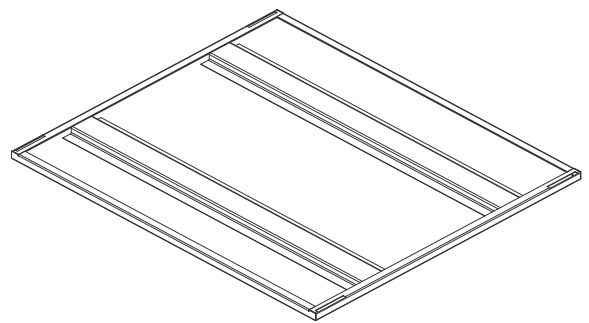
(#3) FRONT FRAME x 1 PC



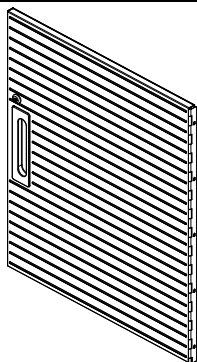
(#4) BACK FRAME x 1 PC



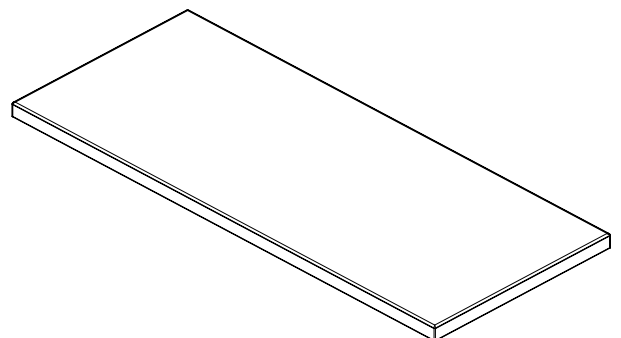
(#5) BASE PANEL x 1 PC



(#6) SHELF x 1 PC



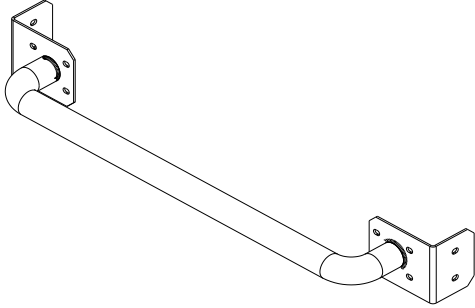
(#7) DOOR x 1 PC



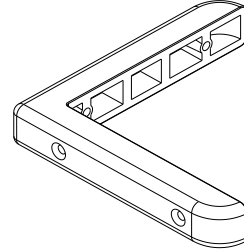
(#8) SOLIDE HARDWOOD BOARD x 1 PC

PARTS LIST

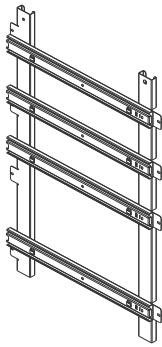
Please check the parts carefully according to the parts list. If you are missing any parts, please contact our customer service department . (Please refer to page 14)



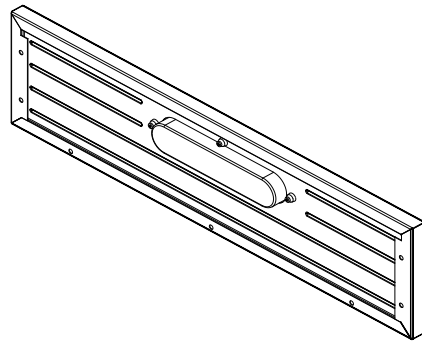
(#9) PUSH BAR x 2 PCS



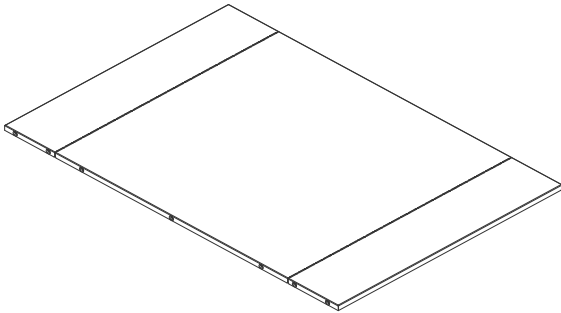
(#10) BUMPER x 4 PCS



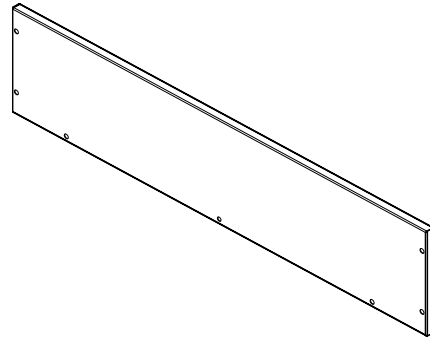
(#11) RIGHT DRAWER SLIDE SUPPORT x 1 PC



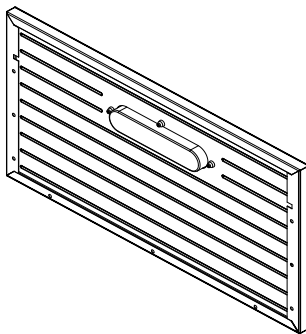
(#12-1) MEDIUM-SIZE DRAWER FRONT x 3 PCS



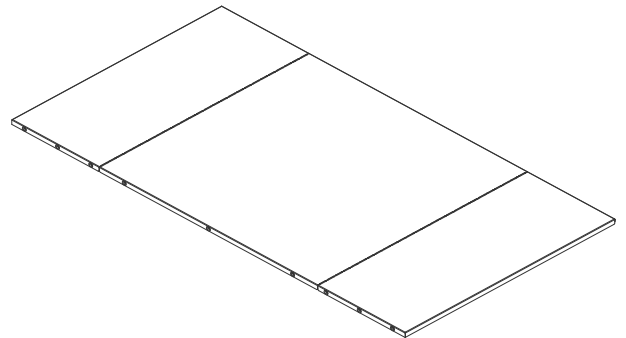
(#12-2) MEDIUM-SIZE DRAWER BOTTOM PANEL x 3 PCS



(#12-5) SMALL DRAWER BACK PANEL x 3 PCS



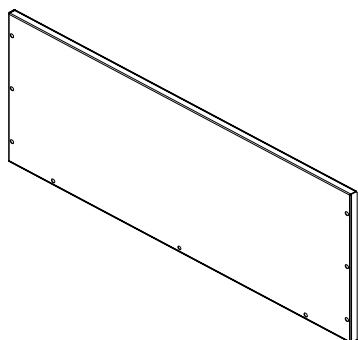
(#13-1) LARGE DRAWER FRONT PANEL x 1 PC



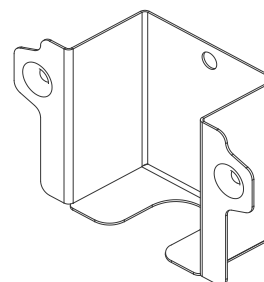
(#13-2) LARGE DRAWER BOTTOM PANEL x 1 PC

PARTS LIST

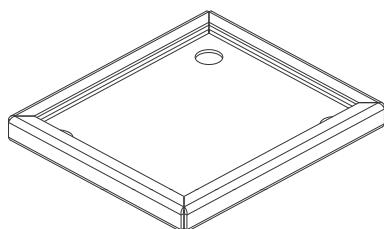
Please check the parts carefully according to the parts list. If you are missing any parts, please contact our customer service department . (Please refer to page 14)



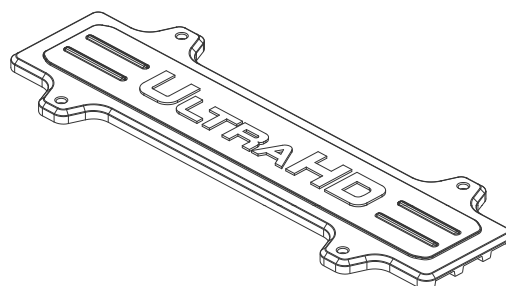
(#13-4) LARGE DRAWER BACK PANEL x 1 PC



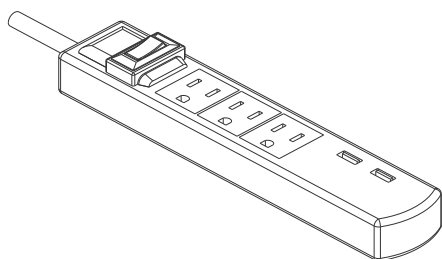
(#28) SOCKET FIXED SEAT x 2PCS



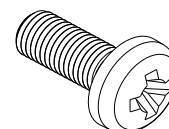
(#29) CASTER SEAT SUSHION x 4PCS



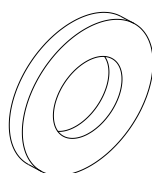
(#30) SIDE PANEL LOGO TRIM x 1PC



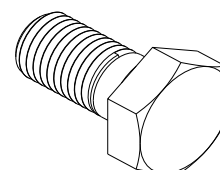
(#45) USB MULTIPLE SOCKET-OUTLET x 1PC



(#15) SCREW B (M4 x 8L) x 84 PCS



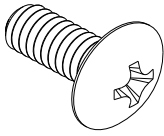
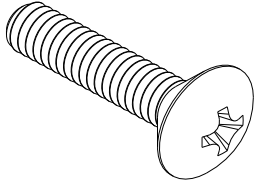
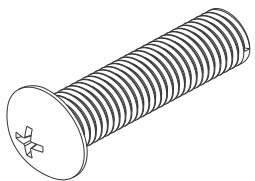
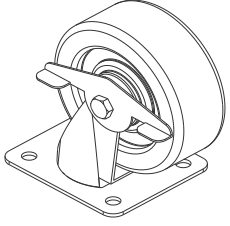
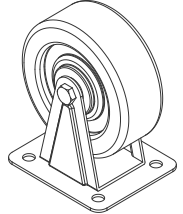
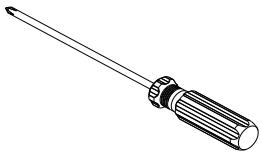
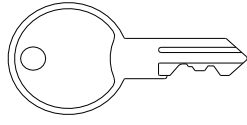
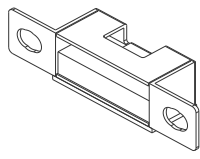
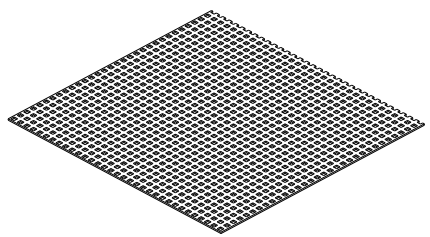
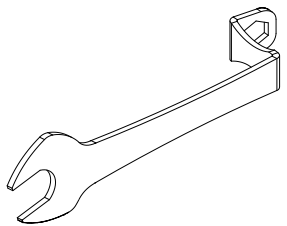
(#27-B) WASHER (M8) x 4 PCS



(#40) SCREW E (M8 x 18L) x 4PCS

PARTS LIST

Please check the parts carefully according to the parts list. If you are missing any parts, please contact our customer service department . (Please refer to page 14)

	
(#41) SCREW F (M4 x 8L) x 65 PCS	(#42) SCREW G (M4 x 30L) x 16 PCS
	
(#65) SCREW P (M8 x 30L) x 16 PCS	(#20) SWIVEL WHEEL WITH BRAKE x 2 PCS
	
(#21) FIXED WHEEL W/O BRAKE x 2 PCS	(#26) SCREW DRIVER x 1 PC
	
(#22) DOOR KEY x 4PCS	(#23) Magnet x 2 PCS
	
(#24) DRAWER MAT x 4PCS	(#25) WRENCH x 1 PC

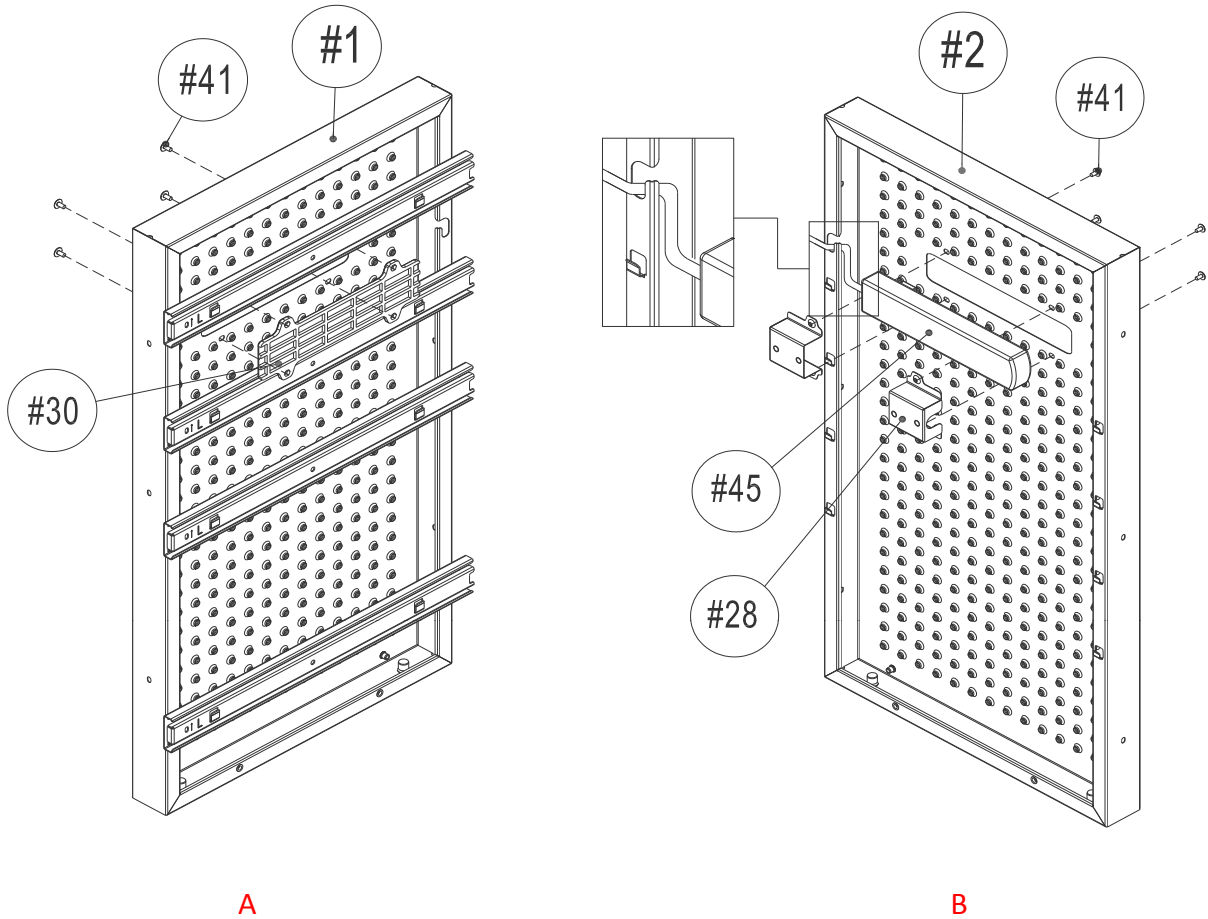
UltraHD® Rolling Workbench Cabinet (Model No. 20108, 20112)



*NOTE: We recommend using TWO people to assemble the cabinet.



Install (#30)side panel logo trim and (#45)USB multiple socket-outlet

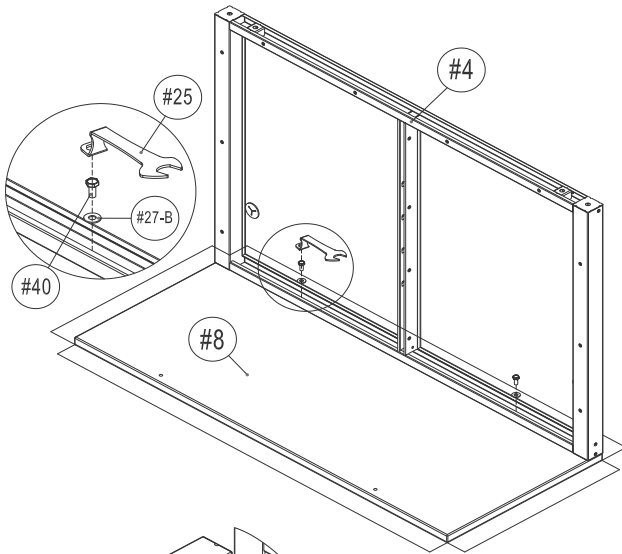


1. Attach (#45) USB multiple socket-outlet on side panel, which can be assembled on (#1) left side panel or (#2) right side panel according to user demand .
2. Attach multiple socket-outlet on side panel, use 2pcs (#28) socket fixed seat and 4pcs (#41) screws F to Install, put multiple socket-outlet cable into the wire slot of side panel, as show picture B.
3. Install (#30)side panel logo trim ,as show picture A,use 4pcs (#41) screws F to tighten on side panel.

UltraHD® Rolling Workbench Cabinet (Model No. 20108, 20112)



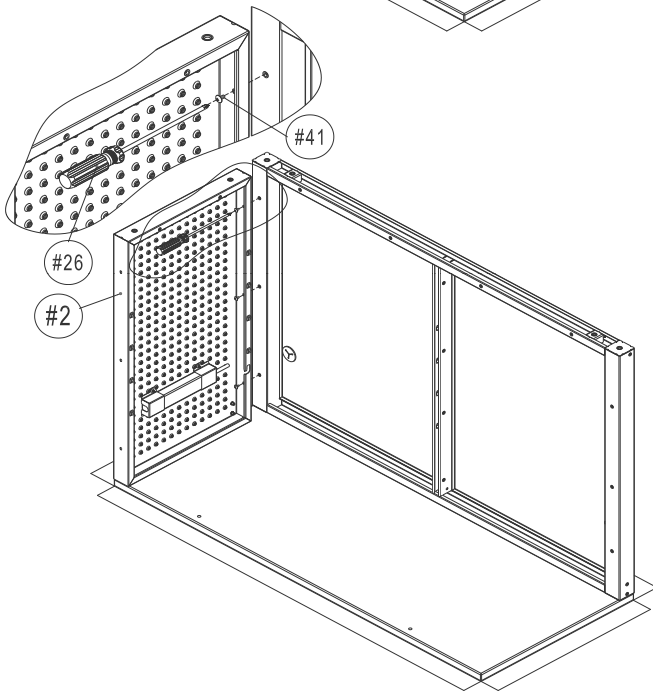
*NOTE: We recommend using TWO people to assemble the cabinet.



Step 1. Install Back Frame(#4)

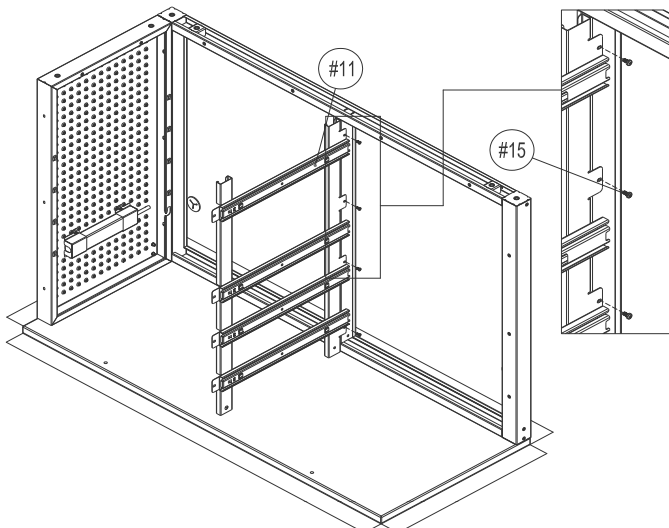
Open the package, remove (#8) solide hardwood board and (#4) back frame ; put (#4) back frame onto (#8) solide hardwood board as show on left picture, take out 2pcs (#27-B) washer and 2pcs (#40) screws E ,then use wrench (#25) to tighten on solide hardwood board.

Note: Step 1~Step 5, don't tighten screws completely.



Step 2. Install (#2) right side panel.

Attach (#2) right side panel on solide hardwood board as show, use 3pcs (#41) screw F to tighten on back frame.



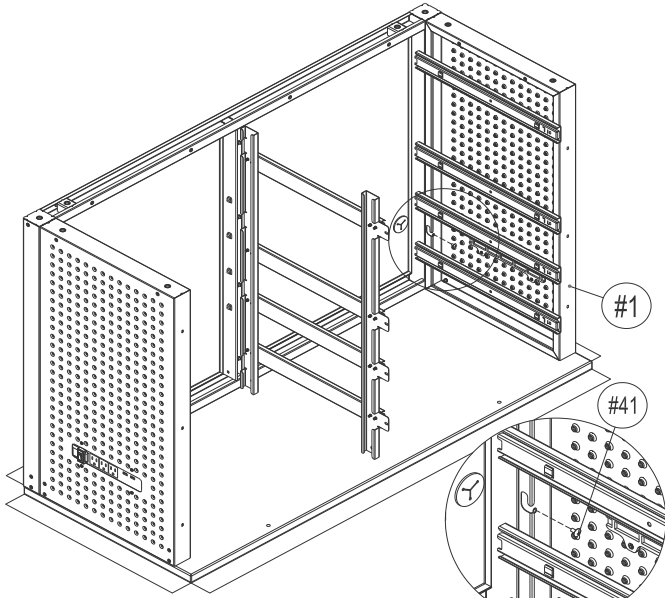
Step 3. Install (#11) right drawer slide support

Attach (#11) right drawer slide support on solide hardwood board as show , pay attention to direction in which slide rail is pulled out ,use 4pcs (#15) screw B to tighten on back frame.

UltraHD® Rolling Workbench Cabinet (Model No. 20108, 20112)

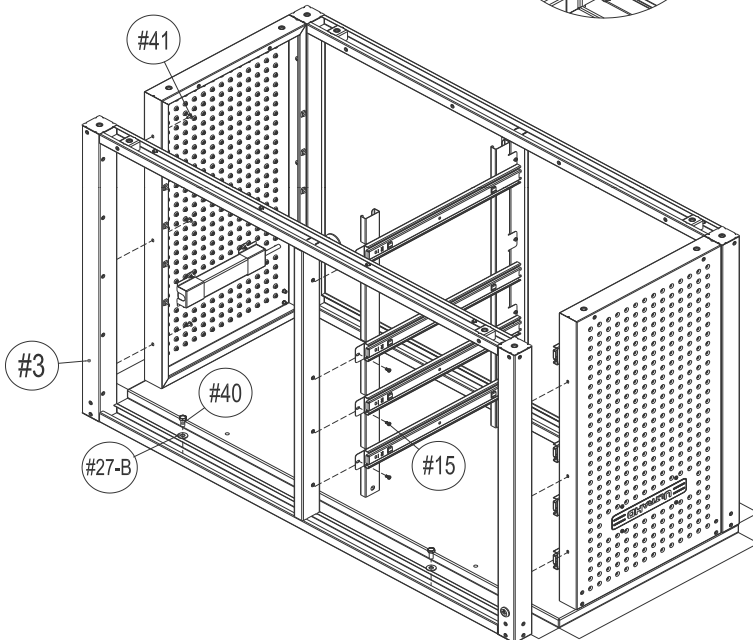


*NOTE: We recommend using TWO people to assemble the cabinet.



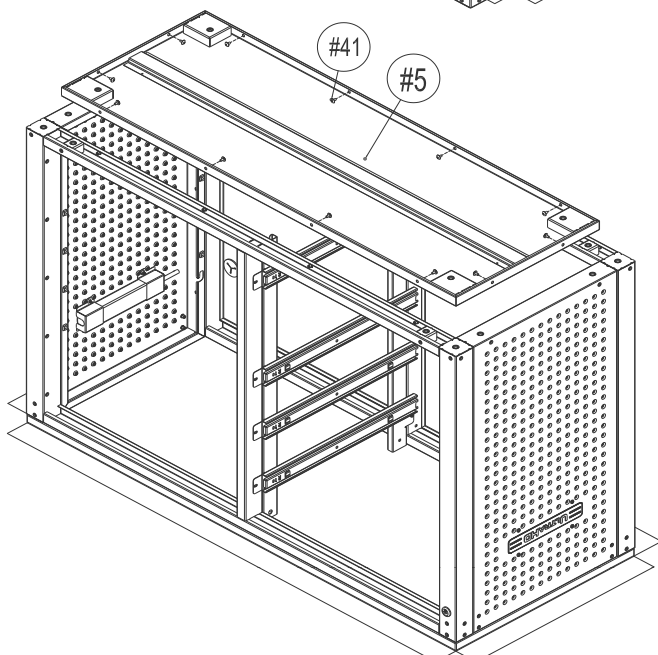
Step 4. Install Left Side Panel (#1)

Repeat step 2, attach Left Side Panel (#1) on solide hardwood board, use 3pcs (#41) screw F to tighten on back frame.



Step 5. Install Front Frame(#3)

Attach front frame (#3) on solide hardwood board as show, use 6pcs (#41) screw F to tighten on left and right side panels, and use 4pcs (#15) screw B to tighten on right drawer slide support . use 2pcs (#27-B) washer and 2pcs (#40) screw E to tighten on solide hardwood board.



Note: Tighten all screws completely. The edges of all accessories are aligned when tightening screws.

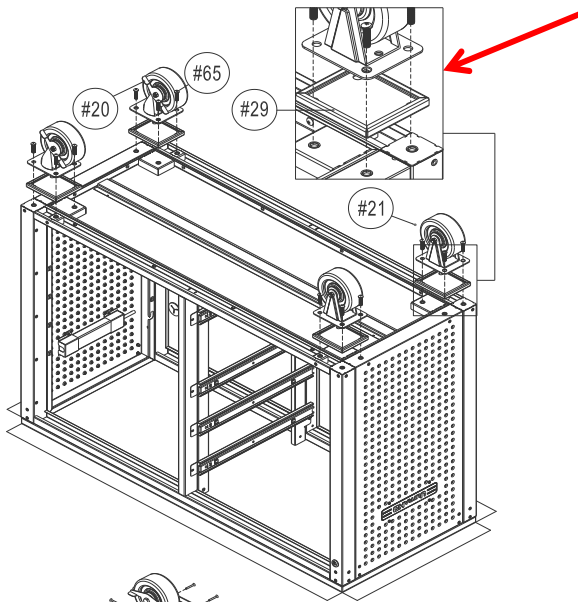
Step 6. Install Base Panel (#5)

Attach Base Panel (#5) on right drawer slide support as show left picture, use 12pcs (#41) screw F to tighten on the left side panel, right side panel, back frame and front frame.

UltraHD® Rolling Workbench Cabinet (Model No. 20108, 20112)



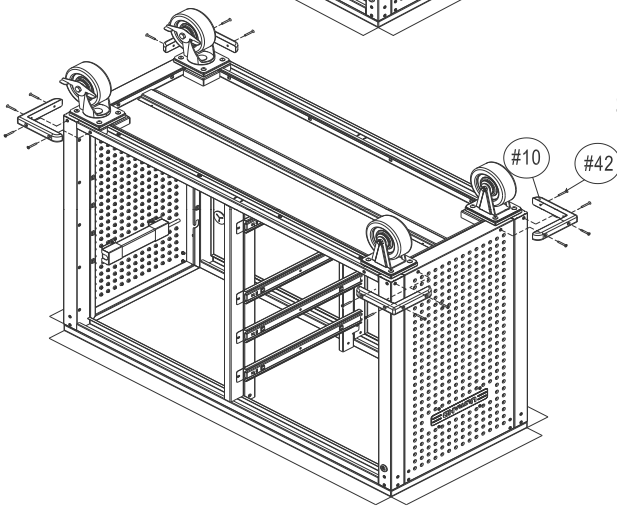
*NOTE: We recommend using TWO people to assemble the cabinet.



Step 7.

Install (#29) caster seat cushion and Wheels (#20 & #21)
Attach 4pcs (#29) caster seat cushion and 4pcs wheels (#20)&(#21) on the frame as shown in left picture, use the 16pcs (#65) screws P to tighten them. Make sure that the (#21)Fixed wheels w/o Brakes are on the same end (right or left side) of the Work Bench. Also the (#20) Swivel wheel with brake.

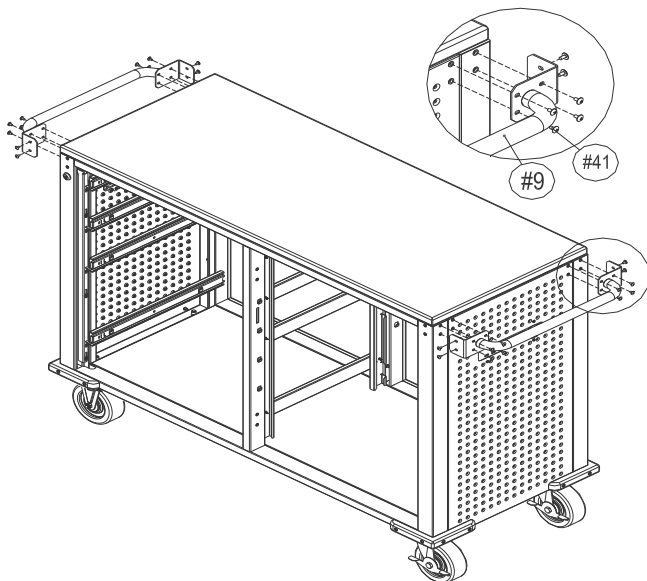
Note: The opening direction of caster seat cushion need to upward wheels, as shown by the arrow on the left.



Step 8. Install Bumpers (#10)

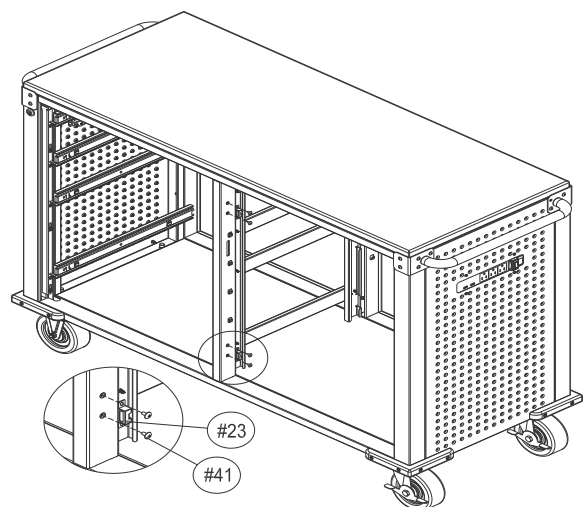
Install 4pcs (#10) Bumpers on four corners of the cabinet as show on left, use 16pcs (#42) screws G with screwdriver to tighten them.

Note: When install bumpers , the screw only needs to be tightened to a little bit recessed than the rubber corner protector surface, please remember not to lock it too tightly.



Step 9. Install (#9) handle bar.

Install 2pcs (#9) handle bar on both sides of the cabinet as show on above, use 24pcs (#41) screws F to tighten them.



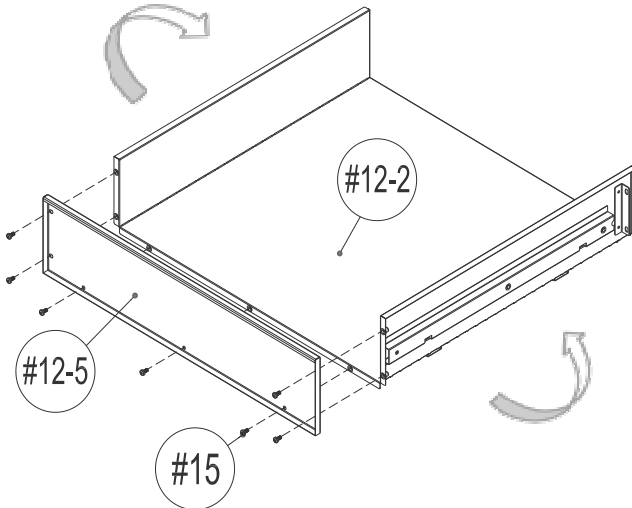
Step 10. Install (#23) Magnet

Install 2pcs (#23) Magnet on right side of the center column of the front frame as show on above, use 4pcs (#41) screw F to tighten it.

UltraHD® Rolling Workbench Cabinet (Model No. 20108, 20112)

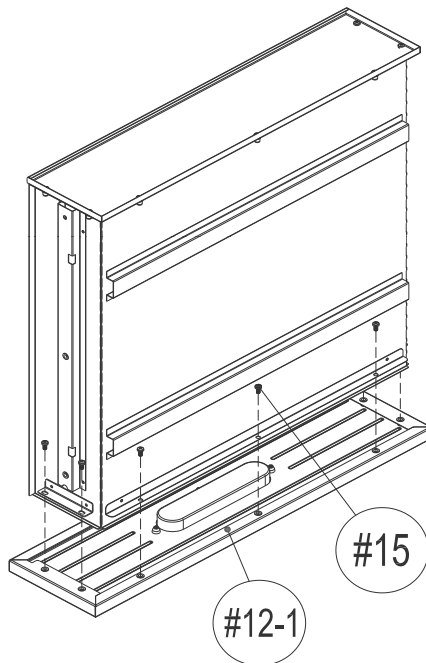


*NOTE: We recommend using TWO people to assemble the cabinet.



Step 11. Install (#12-2) Medium-Size Drawer Base and (#12-5) Small Drawer Back Panel.

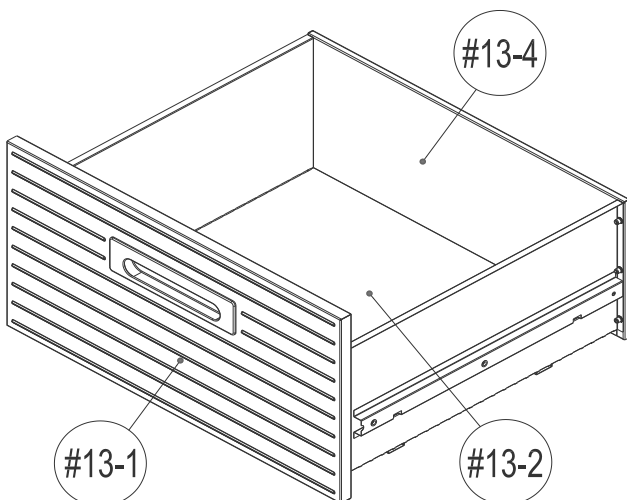
1. Fold left and right sides of (#12-2) Medium-Size drawer base firstly as show on left;
2. Then install (#12-5)small drawer back panel to Medium-Size drawer base as show, use 7pcs (#15) screws B to tighten it.



Step 12. Install MEDIUM-SIZE DRAWER FRONT(#12-1)

Install (#12-2) Medium-Size drawer base on middle drawer panel (#12-1)from up to down as show on left, use 7PCS (#15) screws to tighten it.

Repeat above steps ,assemble the other 2pcs middle drawer (#12).



Step 13. Install Large Drawer (#13)

Refer step 11.12, take out large drawer front panel (#13-1), large drawer base (#13-2), large drawer back panel (#13-4), then use 18pcs (#15) screws B to tighten them.

UltraHD® Rolling Workbench Cabinet (Model No. 20108, 20112)

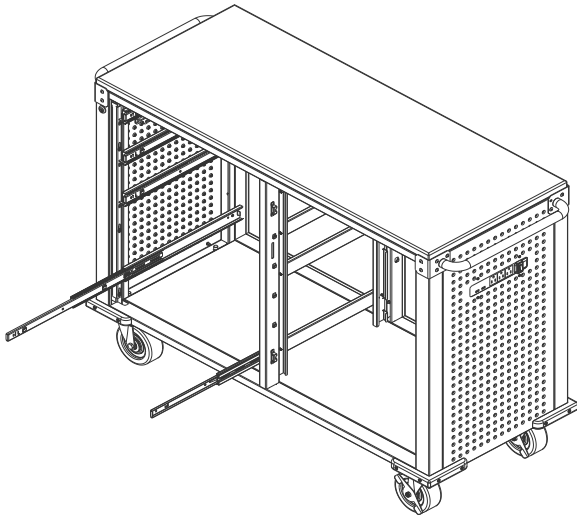


*NOTE: We recommend using TWO people to assemble the cabinet.



Step 14. Place the Drawers

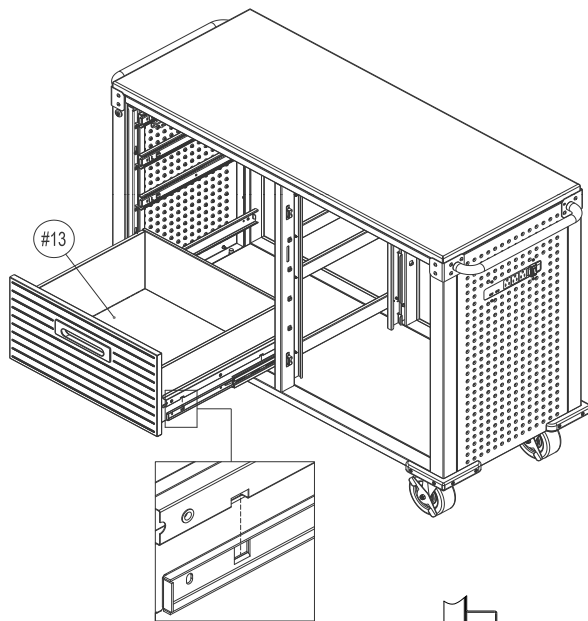
- 1). Pull out the sliders completely, then put the drawer to the sliders, make sure the square holes on the drawer side panels are line up, and the drawer is hook on the sliders completely as show left.
- 2). Use 4pcs (#15) Screw B to tighten on drawer slides.



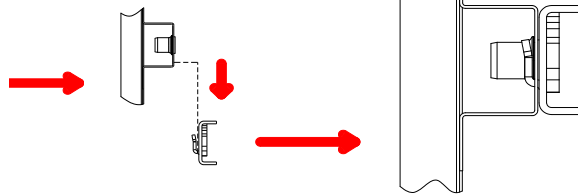
A

3. Repeat step 14, install the other 3pcs middle drawers (#12).
4. Put 1pcs (#24) Drawer mat into each drawer.

Note: After all drawers are installed, the gap between the drawers is uneven, you can loosen the screws on the inner rail and adjust the drawer up and down.

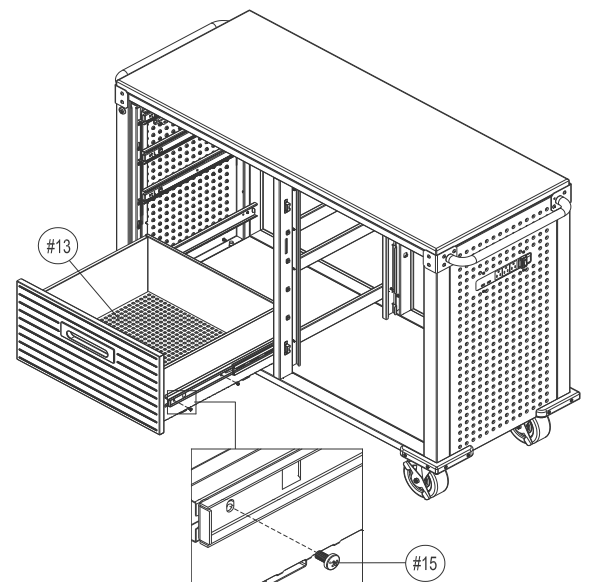


B



C

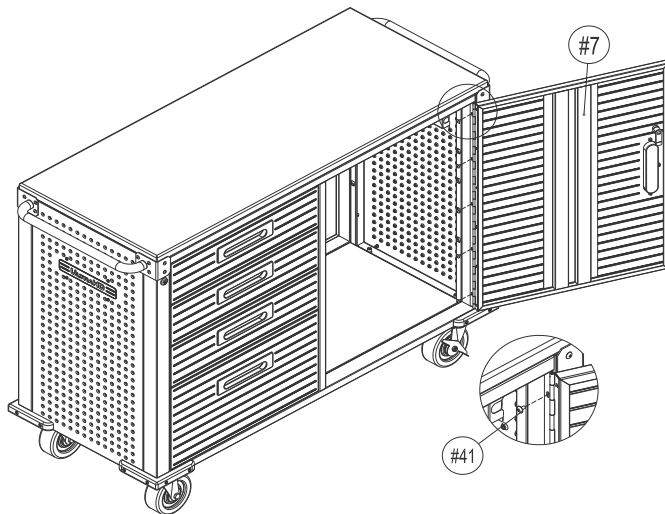
As show picture C, the height gap of the drawer can be adjusted by OB holes which in the front of the slide rail



UltraHD® Rolling Workbench Cabinet (Model No. 20108, 20112)



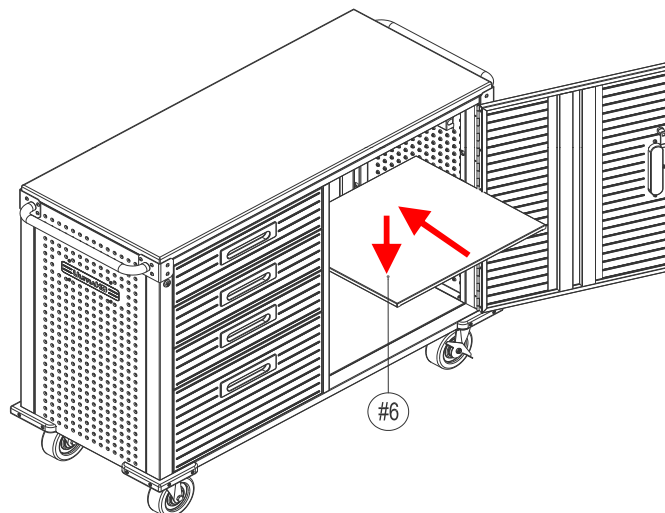
*NOTE: We recommend using TWO people to assemble the cabinet.



Step 15. Install Door panel (#7)

Attach the door panel (#7) on front frame , use 5pcs (#41) screws F tighten.

Note: The OB holes on the door hinge have tolerance, enabling the door to be adjusted and centered in the door frame.

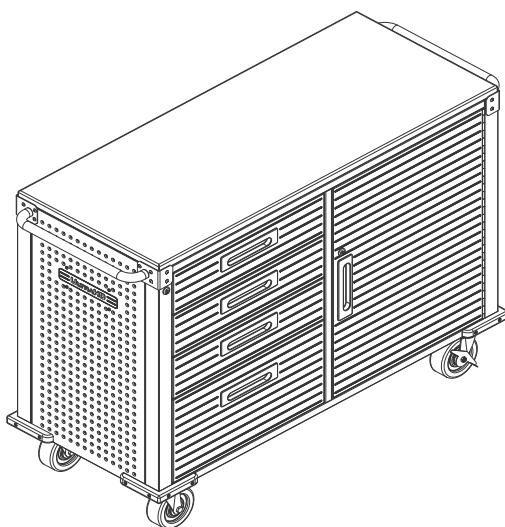


Step 16. Install Shelf (#6)

Place Shelf (#6) in unit at the desired height and ensure that all four corners are secured on the hooks in the front and back.

Note:

The height of the shelf can be adjusted according to the hook in the cabinet.



Finished.

CONTACT INFORMATION

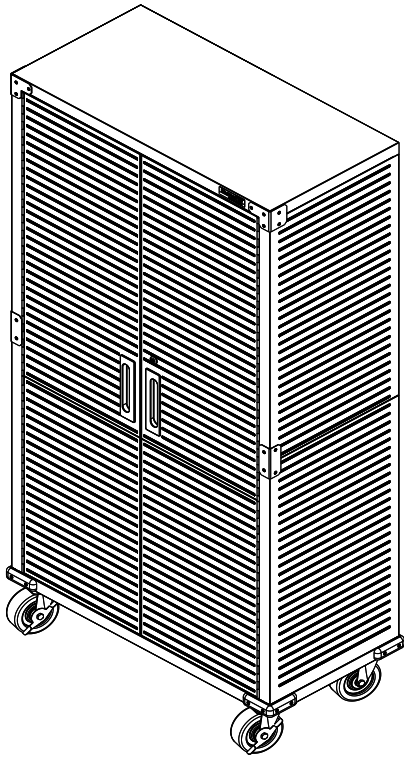
If you are missing any parts, have any questions, or need additional assistance in assembly, please contact our bilingual (English and Spanish) customer service department at:



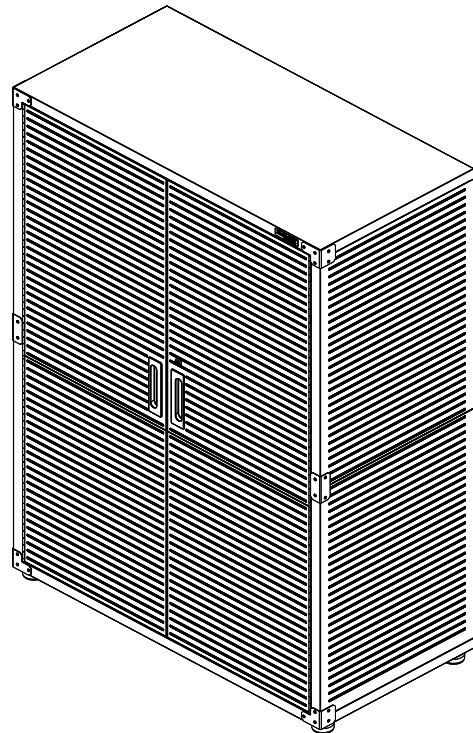
Seville Classics, Inc.
19401 Harborgate Way Torrance, CA 90501 USA
Telephone: (800) 323-5565 within USA
Fax: (310) 533-3899
Hours: 9:00am - 4:30pm (Pacific Standard Time)
E-mail: support@sevilleclassics.com
Website & Online Store: www.sevilleclassics.com

*****Please visit our website or call and inquire about our additional UltraHD Line*****

UltraHD® Line

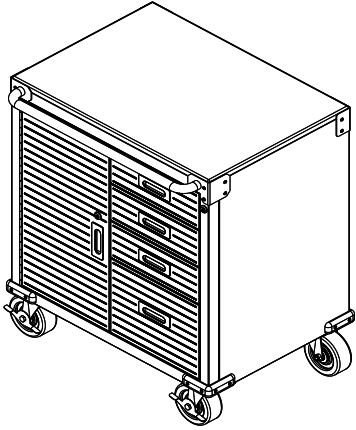


UltraHD® Tall Storage Cabinet
Model No. 16236 (Granite)
Model No. 20143 (Graphite)
Model No. 20153 (Red)
Model No. 20133 (White)

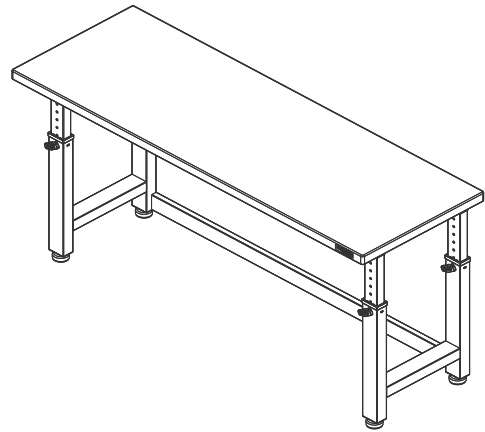


UltraHD® Mega Storage Cabinet
Model No. 16238 (Granite)
Model No. 20148 (Graphite)
Model No. 20158 (Red)

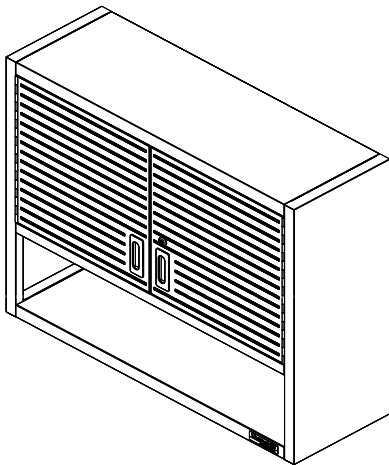
UltraHD® Line



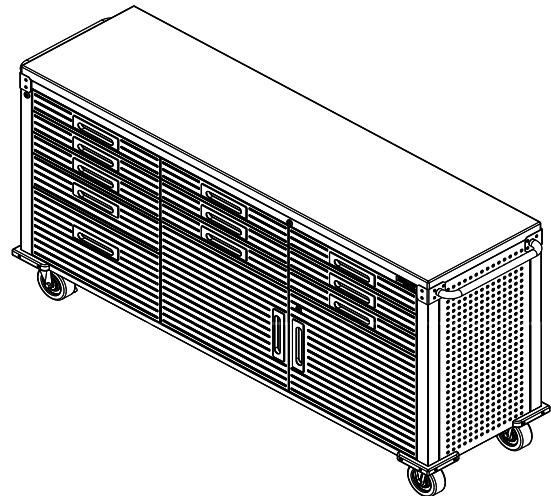
UltraHD® 4-Drawer Rolling Cabinet
Model No. 20205 (Granite)



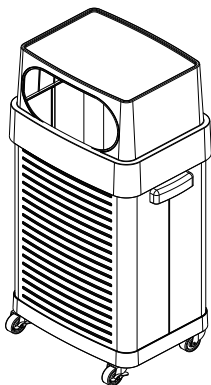
UltraHD® 6-Foot Height Adjustable Workbench
Model No. 20292 (Granite)
Model No. 20293 (Graphite)



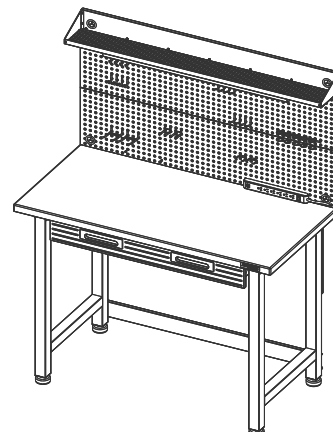
UltraHD® Wall Cabinet with Open Shelf
Model No. 20230 (Granite)
Model No. 20140 (Graphite)
Model No. 20150 (Red)



UltraHD® 2-Door Rolling Workbench
Model No. 20262 (Granite)
Model No. 20142 (Graphite)
Model No. 20152 (Red)



UltraHD® Rolling Trash Bin
Model No. 20215



UltraHD® Lighted Workcenter
Model No. 20247 (Granite)
Model No. 20246 (Graphite)
Model No. 20157 (Red)