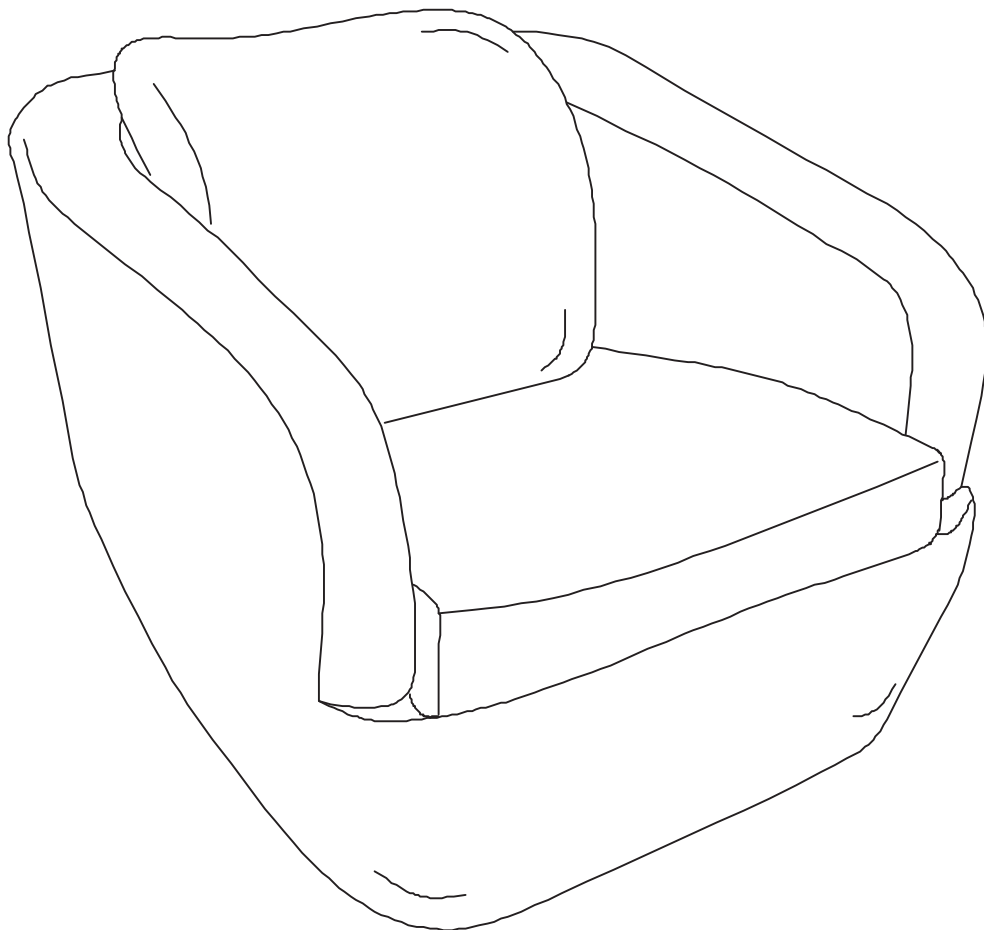

Assembly Manual

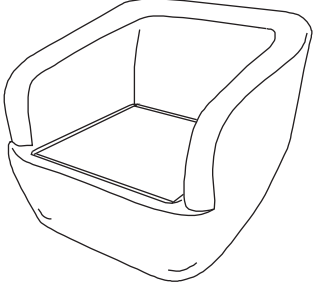
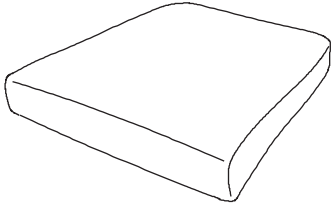
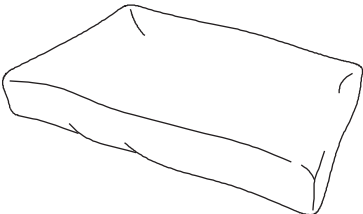
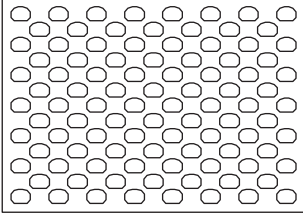
Swivel Patio Chair



 **CAUTION**

THIS ASSEMBLY MANUAL CONTAINS IMPORTANT SAFETY INFORMATION.
PLEASE READ AND KEEP FOR FUTURE REFERENCE.

Components:

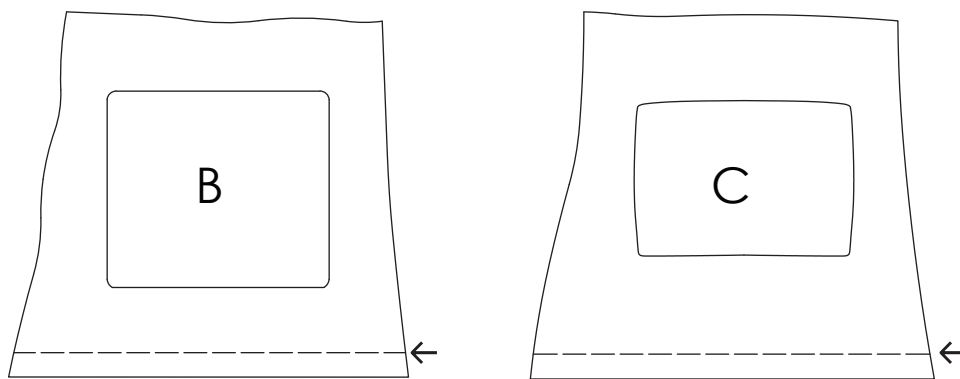
A×1  Seat	B×1  Seat Cushion
C×1  Back Cushion	D×1  Non-Slip Mat (20'' x 20'')

Before you begin:

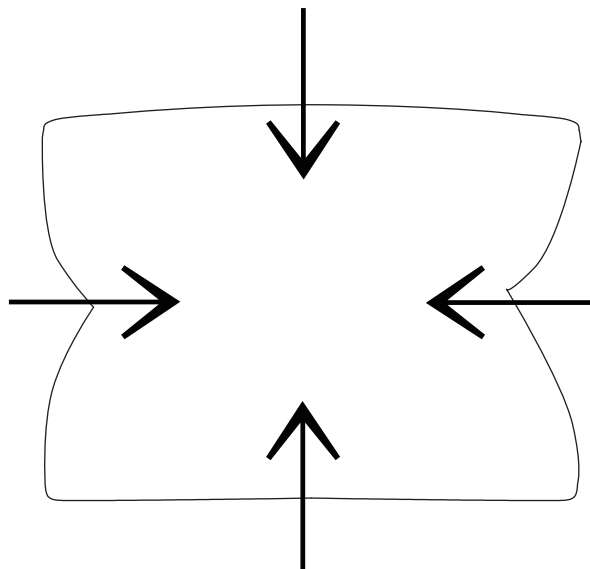
1. Check if you have received all parts using the diagram on this page. Do not start the assembly process until all parts are present. If you have not received all parts or received wrong or damaged ones, please contact our customer service and we will get back to you.
2. Do not discard any of the packaging until you are certain that you have all the necessary parts for the assembly.

-
- 1** Open the vacuum-packed bags containing the Seat Cushion (B) and Back Cushion (C).

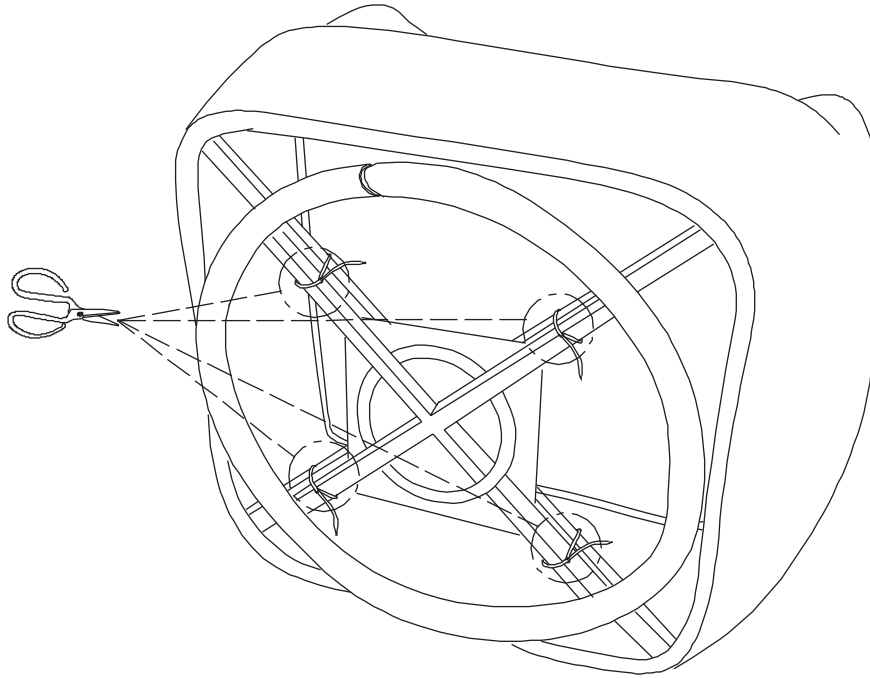
Note: Do NOT use sharp tools such as knives or scissors to open these bags as it could potentially damage the cushions. Please use your hands to gently pull the bags apart.



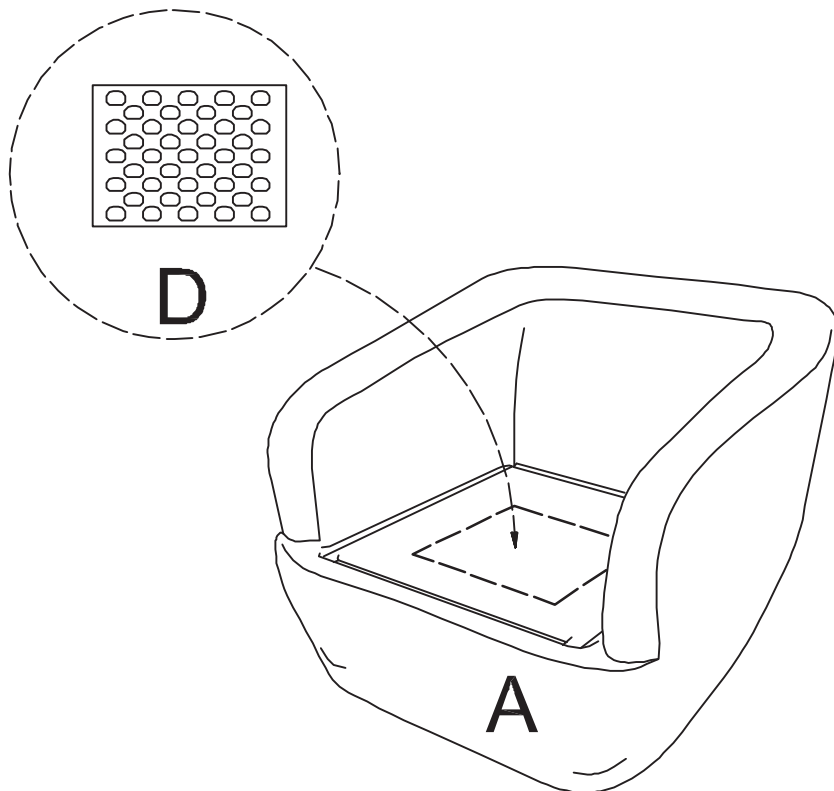
- 2** Please allow up to 48 hours for the cushions to return to the original thickness. For Back Cushion (C), fluff the cushion as indicated below to help it return to the original thickness.



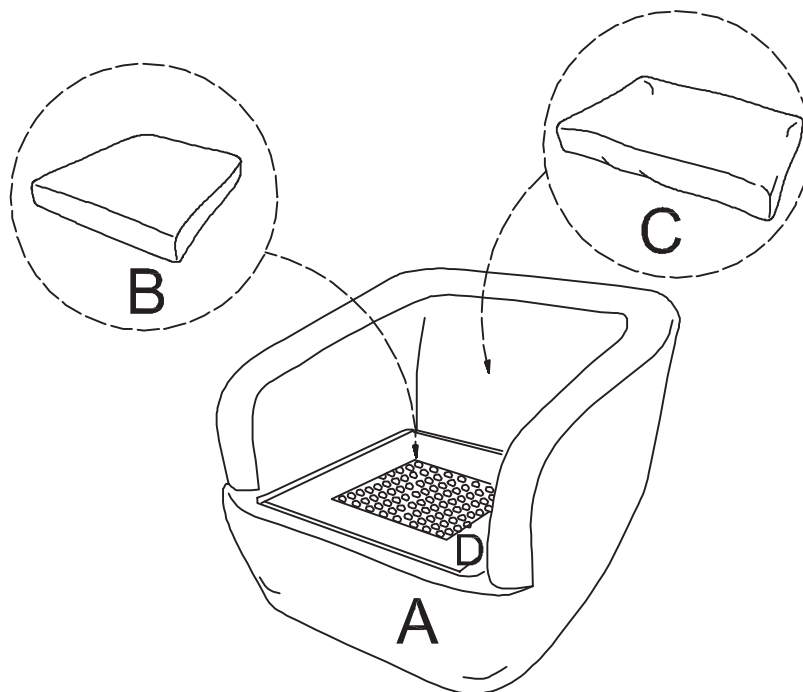
-
- 3** Cut the ties between swivel metal base and the chair.



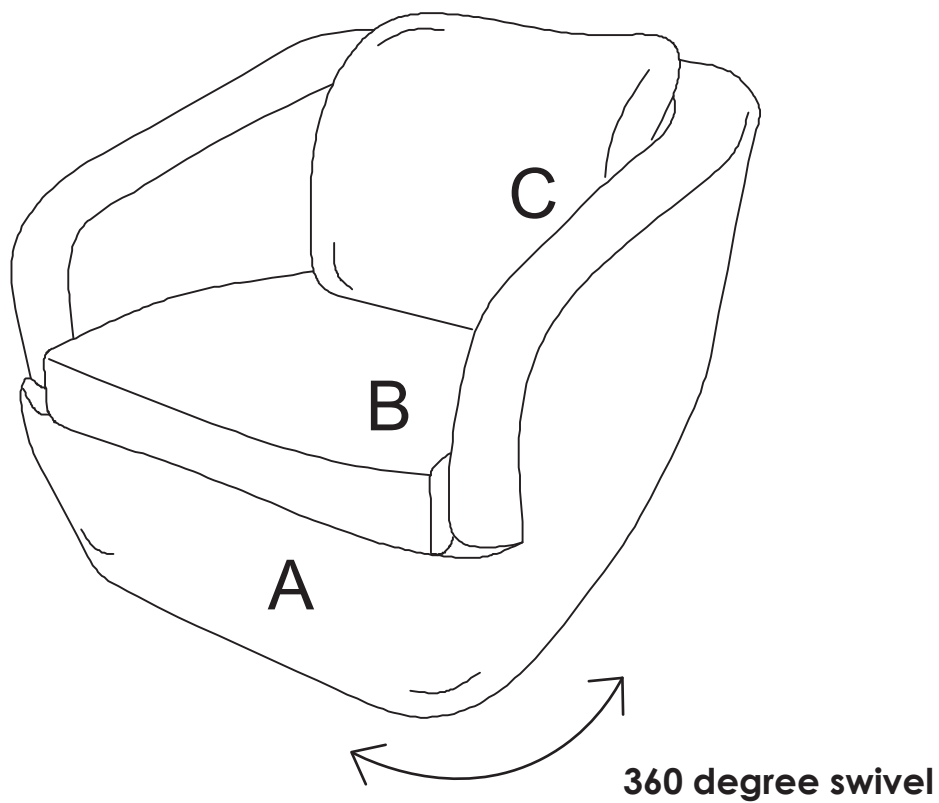
- 4** Place Non-Slip Mat (D) on the Seat.



-
- 5** Place Seat Cushion (B) and Back Cushion (C) on the chair.

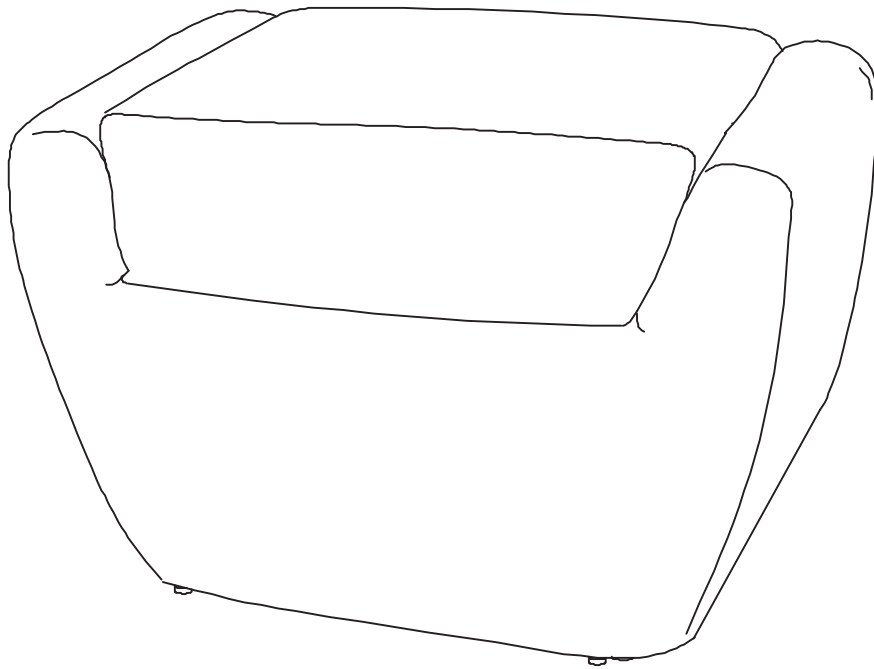


- 6** Assembly complete. Enjoy.



Assembly Manual

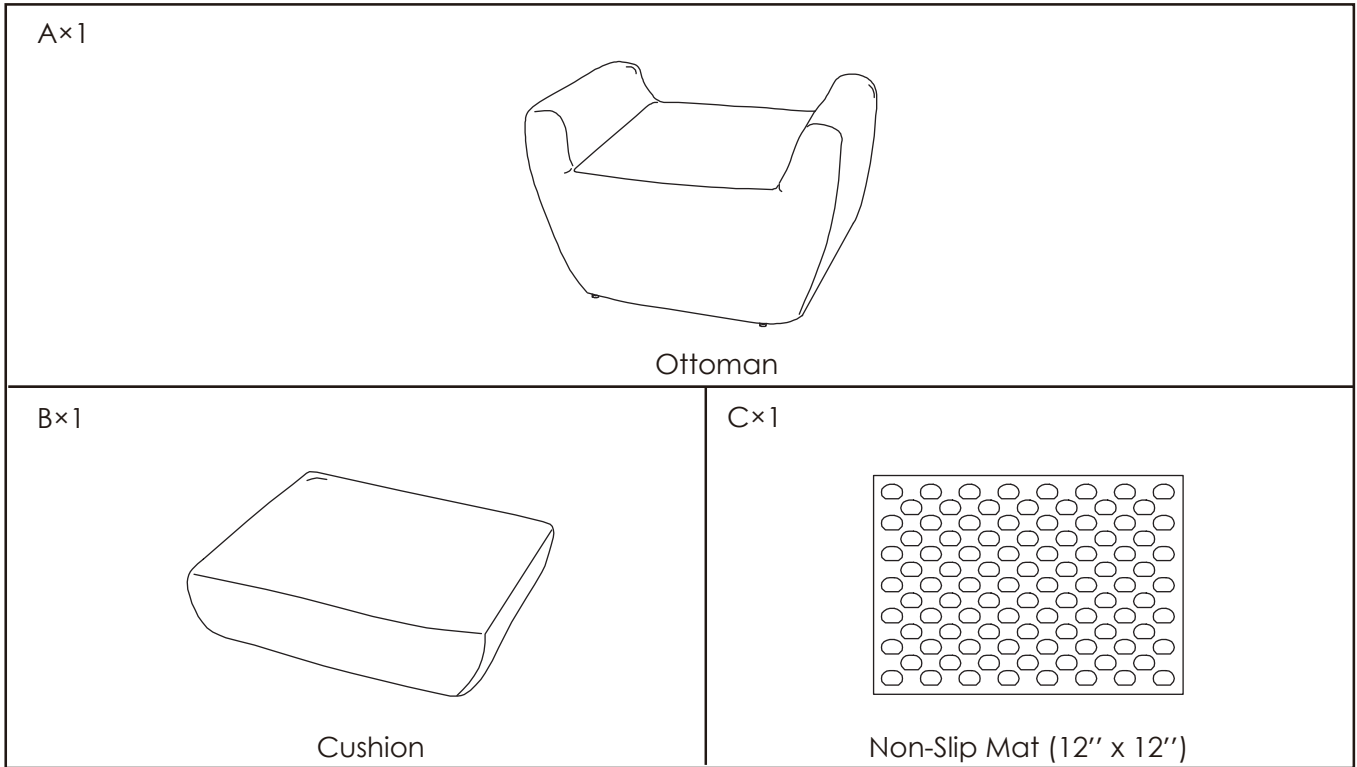
Ottoman



 **CAUTION**

THIS ASSEMBLY MANUAL CONTAINS IMPORTANT SAFETY INFORMATION.
PLEASE READ AND KEEP FOR FUTURE REFERENCE.

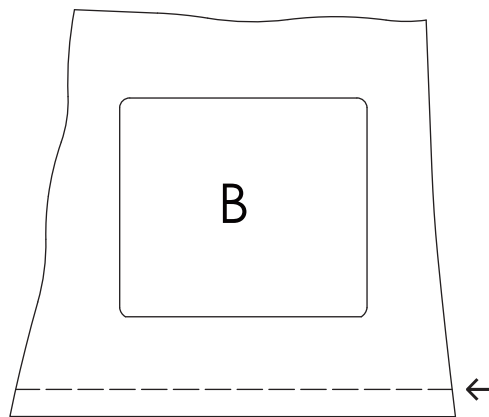
Components:



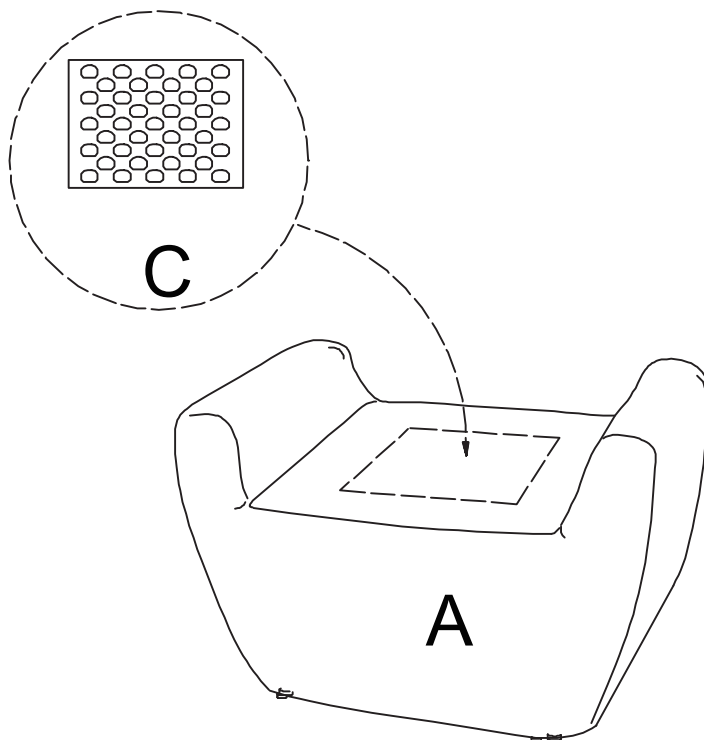
Before you begin:

1. Check if you have received all parts using the diagram on this page. Do not start the assembly process until all parts are present. If you have not received all parts or received wrong or damaged ones, please contact our customer service and we will get back to you.
2. Do not discard any of the packaging until you are certain that you have all the necessary parts for the assembly.

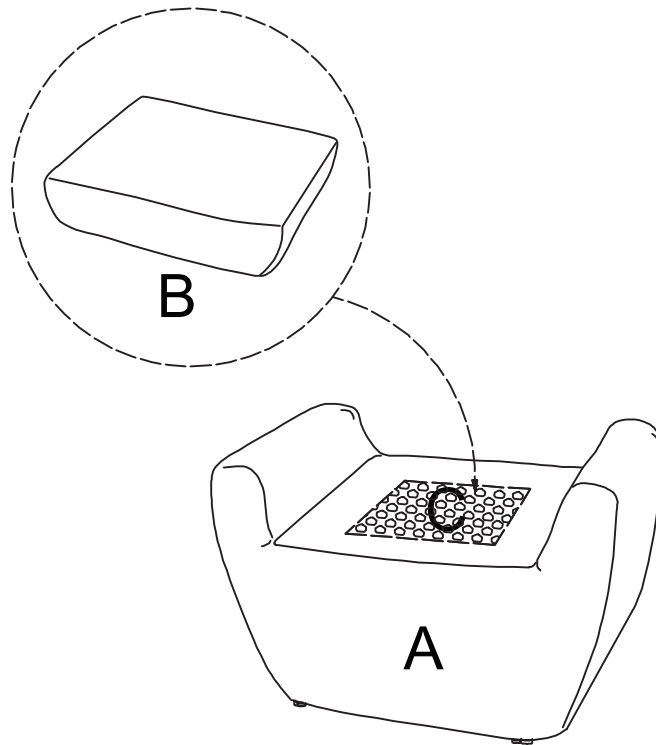
-
- 1** Open the vacuum-packed bags containing the Cushion (B).
Note: Do NOT use sharp tools such as knives or scissors to open these bags as it could potentially damage the cushions. Please use your hands to gently pull the bags apart. Please allow up to 48 hours for the cushions to return to the original thickness.



- 2** Place Non-Slip Mat (C) on the ottoman.



-
- 3** Place Cushion (B) on the ottoman.



- 4** Assembly complete. Enjoy.
Note: Each leg has an adjustable foot leveler to help level your ottoman.

