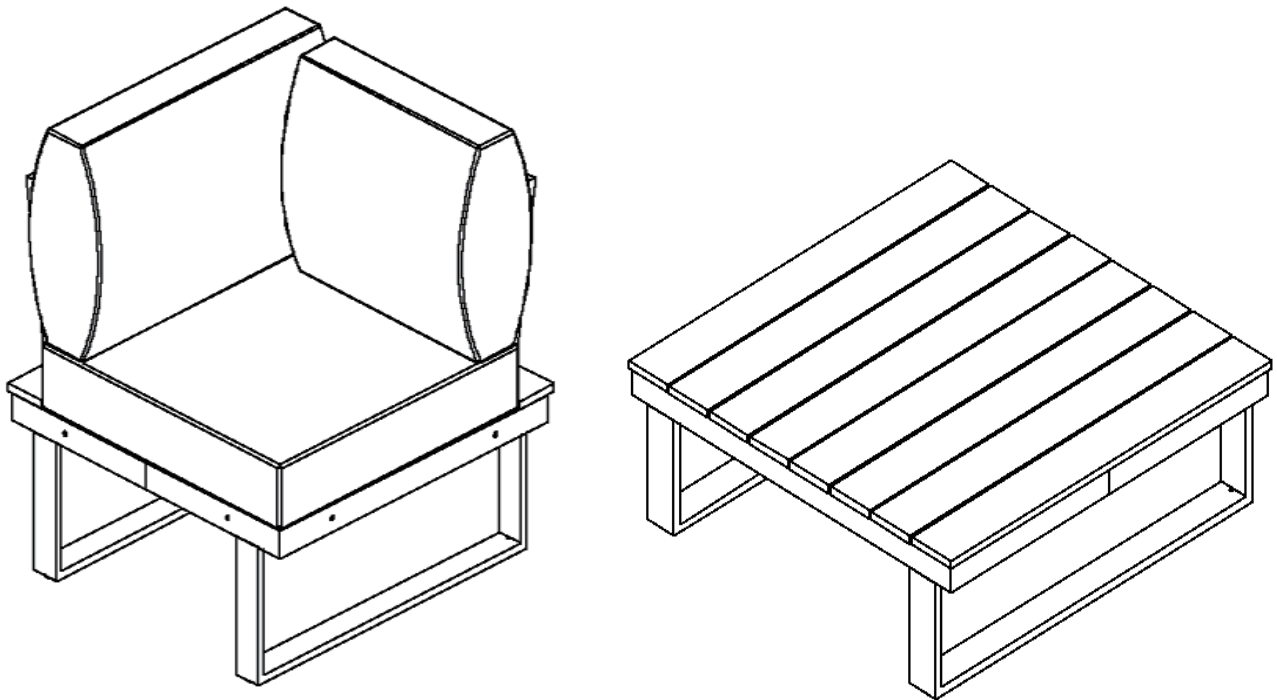


# ASSEMBLY INSTRUCTION

## STERLING CORNER & COFFEE TABLE











# 68039.00FGRY


1. 50% Tighten before fixing all screws, Allen wrench is recommended instead of an electric drill.
2. Place the item on a flat ground to adjust and make sure it remains stable.
3. Tighten up all screws with tools gradually.
4. If the screws are not aligned with holes during assembly, please loosen all the other screws to 50% and continue the assembly process.
5. If the item is not stable, please loosen all the screws, adjust it on a flat ground and tighten up all screws again.
6. Note : If one or some screws are fully tightened during assembly, chances are the others will not be aligned with holes. In addition, all the holes are designed to be relatively larger to provide more space for the adjustment of the screws.

# Assembly Instructions

**Caution : You must read this before you proceed**

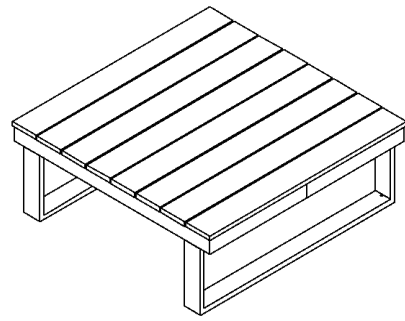
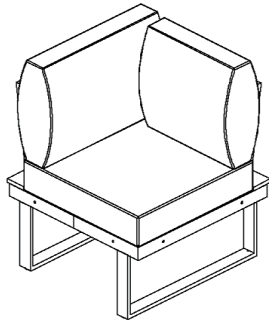
## Care & Maintenance

- ⊘  ● Not for commercial use. For residential use only.
- ⊘  ● Do not put hot items directly on furniture surface.
- ⊘  ● Do not clean furniture with harsh cleansers or polish.
- ✓  ● To obtain the longest lifespan of your outdoor products, minimizing exposure to direct sunlight is recommended.
- ⊘  ● Children should not climb or jump on the furniture.
- ⊘  ● Do not write on furniture without a padded barrier to protect the surface.
- ✓  ● To obtain the longest lifespan of your outdoor products, avoid extended and lengthy exposure to rain, snow, and direct sunshine. Whenever possible cover the product and /or place under patio or awnings.
- ⊘  ● Stains may be removed with mild soap solution and damp cloth.


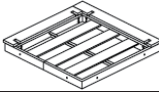
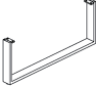

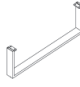
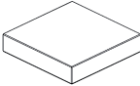
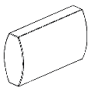

- ✓  ● Dust and pick-up spills using a clean, non-colored, lint-free cloth.

Please look in boxes for hardware packs and legs.  
Sets often ship in multiple boxes and may arrive a day or two apart.






# STERLING CORNER & COFFEE TABLE



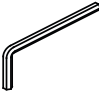


## Parts List


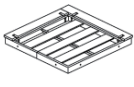
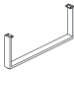

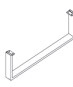
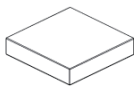
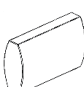
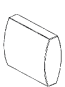








Label	Picture	Description	QTY
B		Backrest Panel	2
F		Corner Seat Panel	1
G		Corner Leg	2
H		Table Top	1
I		Table Leg	2
L		Seat Cushion (Corner)	1
M		Long Back Cushion (Corner)	1
N		Short Back Cushion (Corner)	1

## Hardware

Label	Picture	Description	QTY
①		Bolt(M6*20MM)	16
③		Bolt(M6*60MM)	4
④		Bolt(M6*80MM)	8
⑤		Gaskets	4
⑥		Leveler	8

⑦		Iron Washer	8
⑧		Butterfly Nut	4
⑨		Allen Wrench(4mm)	1

## Assembly Preparation

Before Beginning Assembly:								
	B x2	F	G x2	H	I x2	L	M	N
								
	① x16	③ x4	④ x8	⑤ x4	⑥ x8	⑦ x8	⑧ x4	⑨ x1



- Read instructions, cover to cover-



- Have 2 adults on hand for assembly-



- Do not assemble on flooring or carpet-



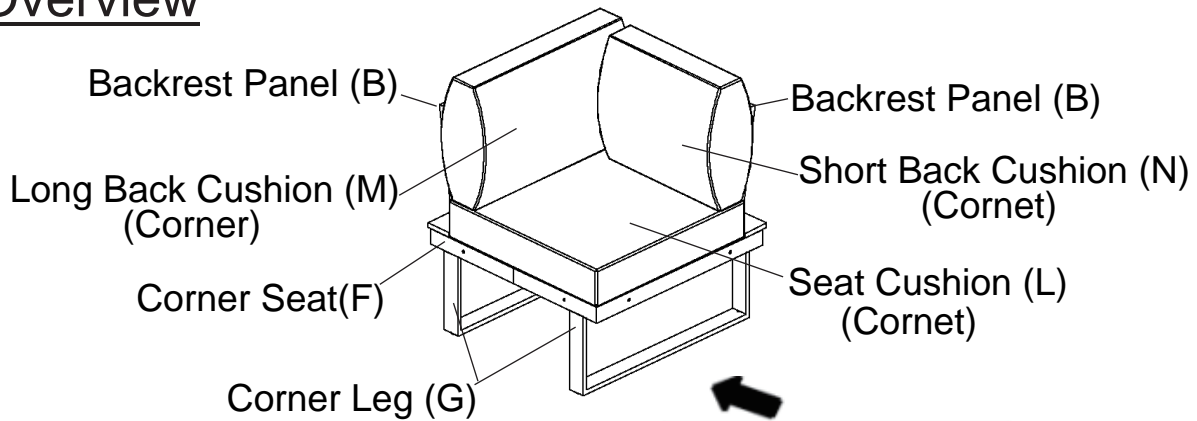
- Assemble on a clean non-marring surface (packing foam)-



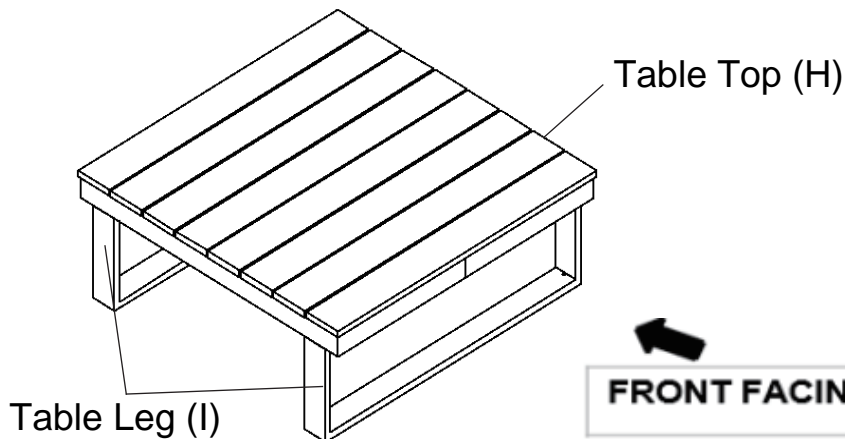
- Save all packaging until finished-

## Assembly Steps

### Overview



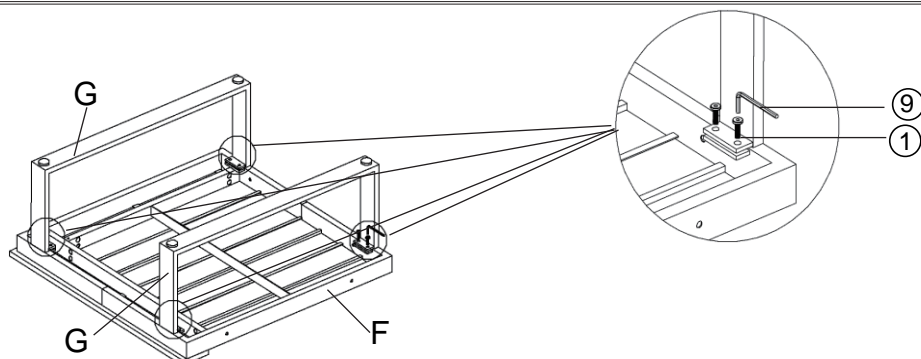
**FRONT FACING**



**FRONT FACING**

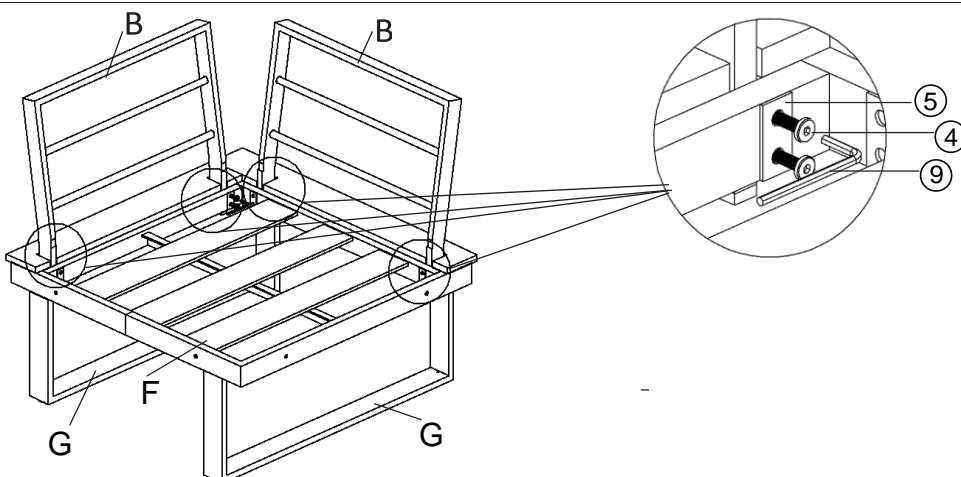
This Sofa has multiple parts and may require up to some 1 hours to assemble. To give you an overview of the Chair parts, the above picture is to help you put the various parts into perspective. Please read through the instructions below to familiarise yourself with the parts and steps before assembly.

### Step 1



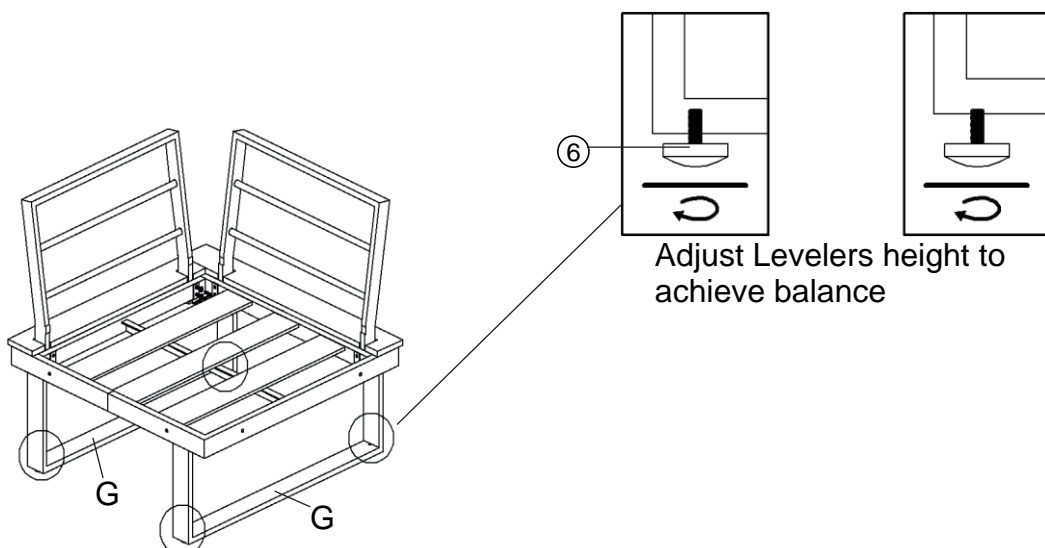
Open the carton and place all parts on a clean, undamaged surface. As shown in the figure above, using the Allen Wrench (9) to tighten the Bolt (1) and the Corner Leg (G) to the Corner Seat (F).  
**DO NOT fully tighten the Bolts**

### Step 2



Attach the Backrest Panel (B) to the Corner Seat (G) using Bolts (4) and a Gasket (5) with the Allen Wrench (9) as shown above.  
**DO NOT fully tighten the Bolts**

### Step 3



Insert the adjusting Levelers ⑥ into the Corner Leg (G), as shown in the figure above;

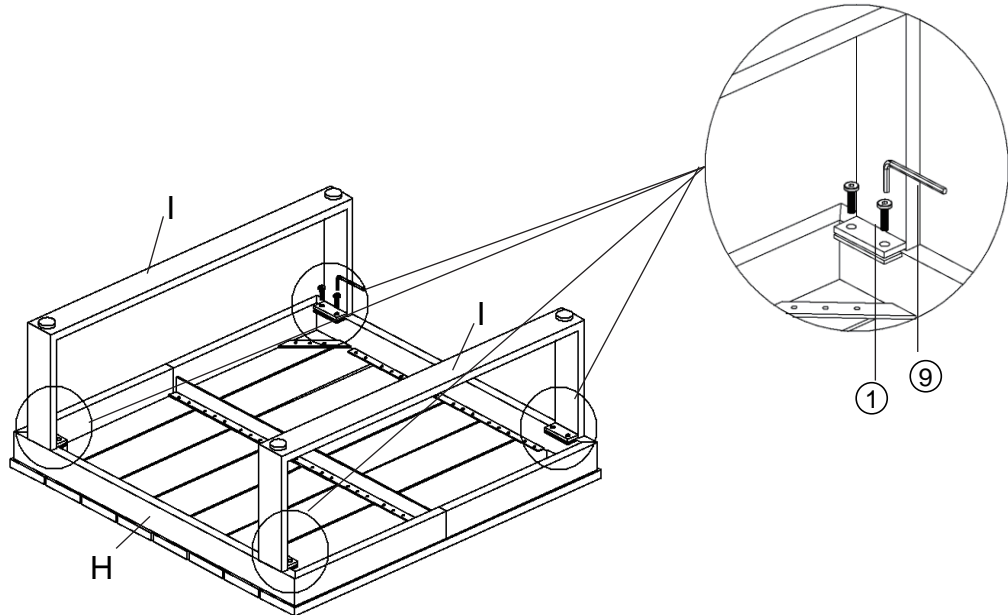
Put the sofa on the horizontal surface. Check and ensure all parts are fully connected.

Sit down gently and carefully on the sofa.

This will help align all parts at all joints.

Then carefully get up off the sofa and tighten all the bolts in a sequential manner.

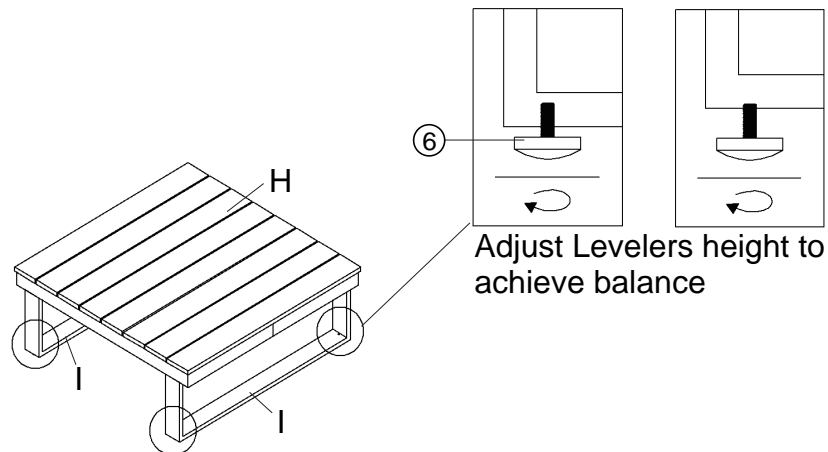
## Step 4



Open the carton and place all the parts on a clean, non-damaged surface. As shown above, place the table top down and bolt the Table Legs (I) to the Table Top (H) using Bolts ① and the Allen Wrench ⑨.

**DO NOT fully tighten the Bolts**

## Step 5



Insert the adjusting Levelers ⑥ into the Table Leg (I) as shown in the figure above; Turn the table upright and place on a level surface.

Inspect it and make sure the legs are adequately connected.

Gently and carefully press onto the table with both your hands, as this will help align all parts at all the joints.

Then in a sequential manner, proceed to tighten all bolts.

When tightening the bolts, tighten sequentially.

Do not tighten any bolt fully and then move on to the next one, as this may cause unevenness.

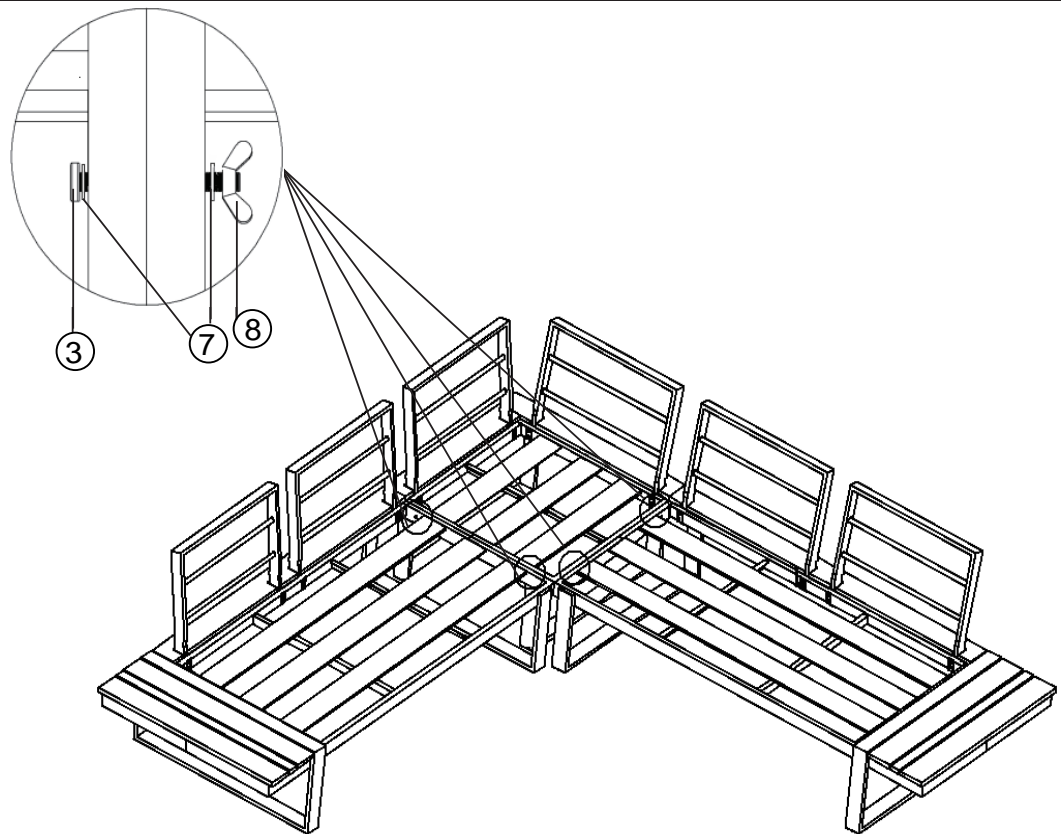
If the table wobbles after tightening the bolts, loosen the bolts and execute the same process again.

Note: This step is done best with the assistance of a second adult.

Your table is now ready for use.

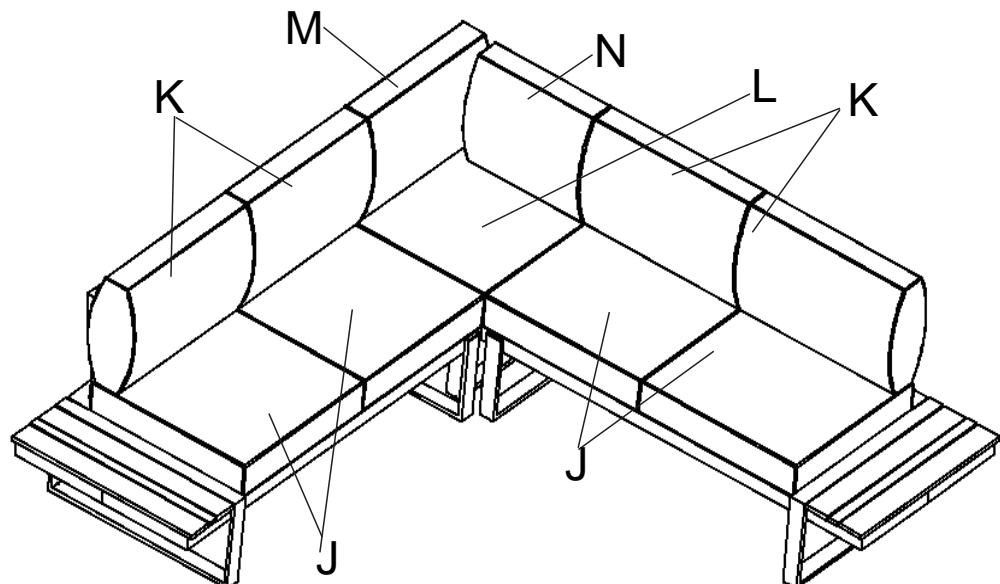
This table can only be used on a flat, level surface..

## Step 6



As shown above, use Bolts ③ and Iron Washers ⑦ Put the the right and left arm rests with the corner sofa join them together to tighten the bolts with a Butterfly Nut ⑧.

## Step 7



Place the Seat Cushions (J & L) and the Back Cushions (K & M & N) on the Sofa Set.

Your Sofa Set is ready for use.

This Sofa Set can only be used on a flat, level surface.

