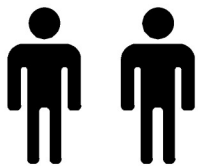
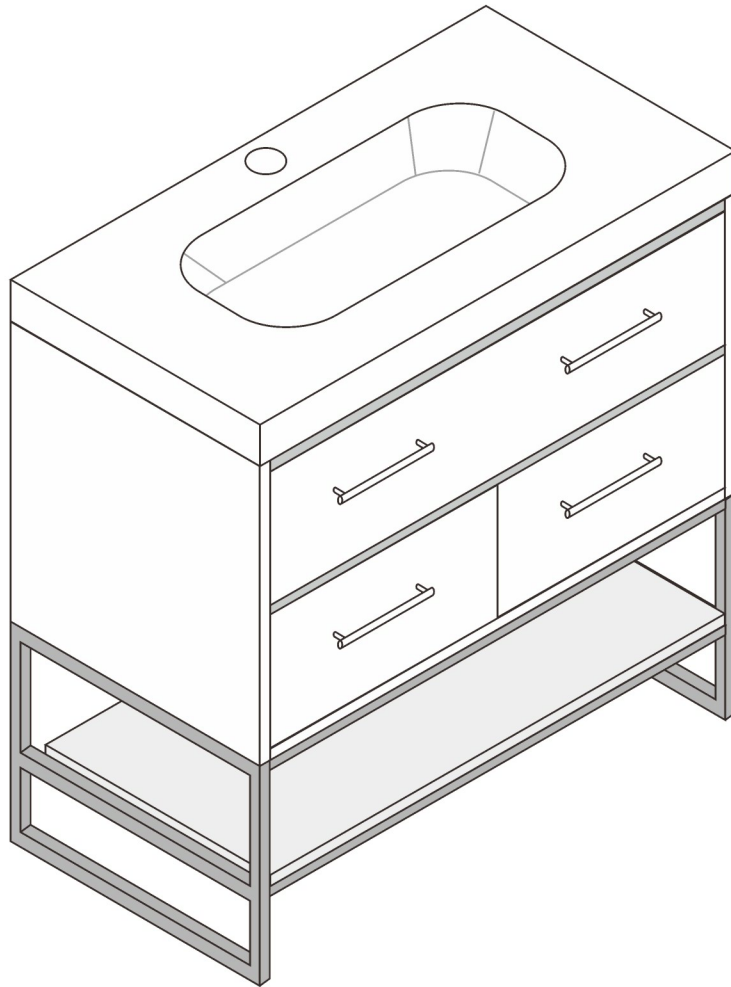


YB811-914#

Bathroom cabinet

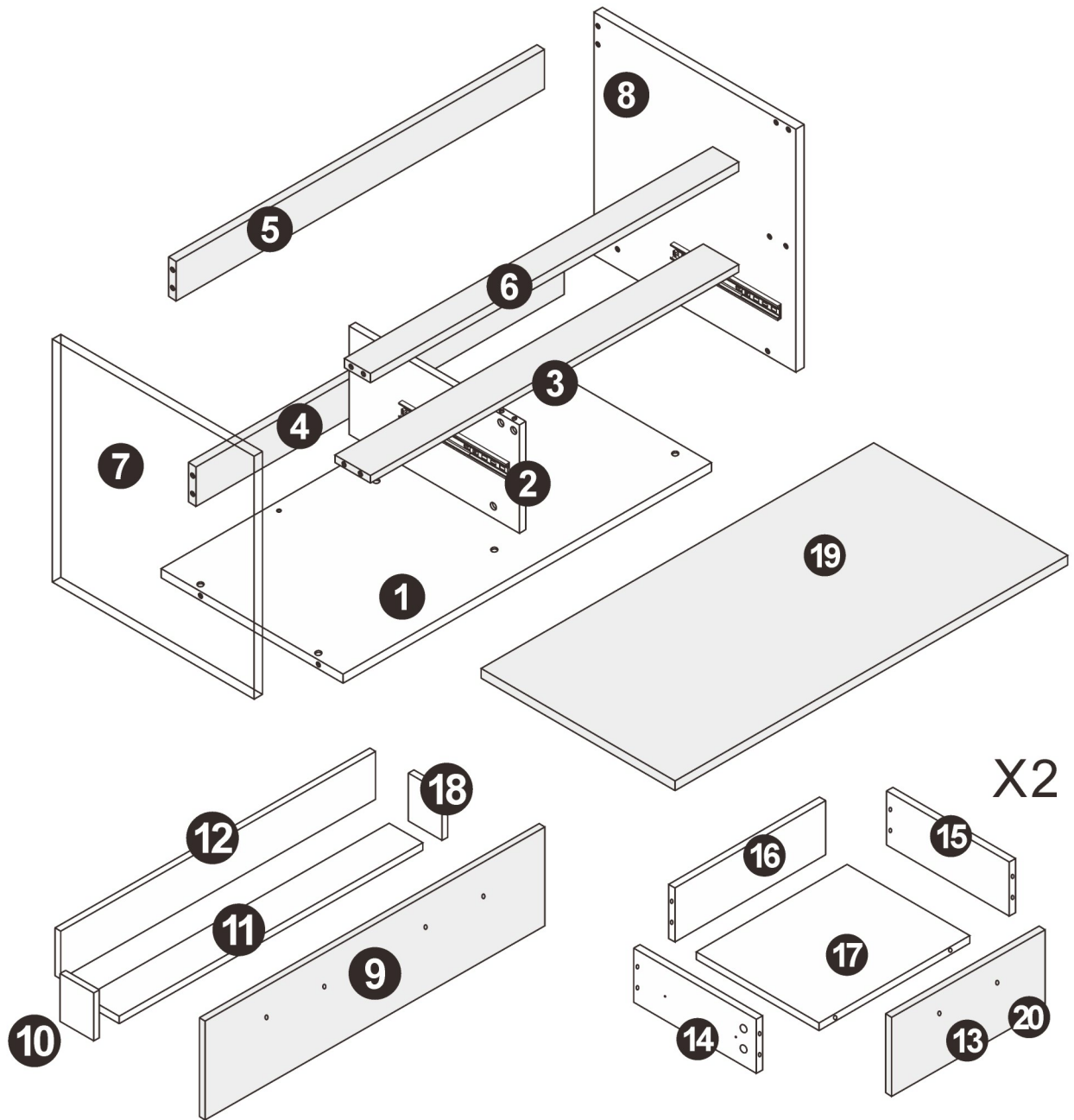


2 Persons

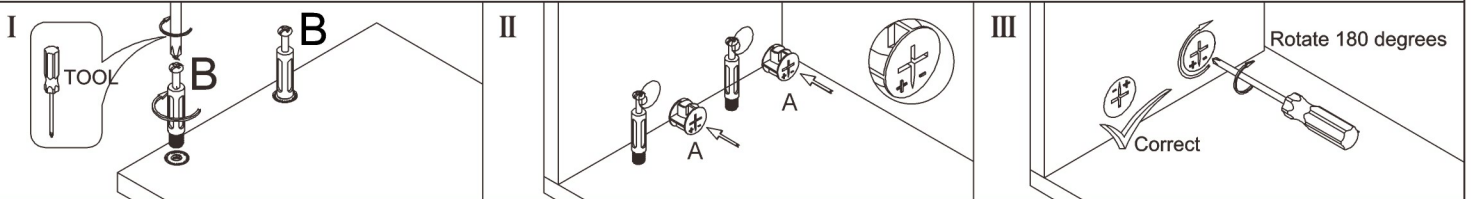
L876*W455*H398MM







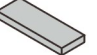






Installation Instructions

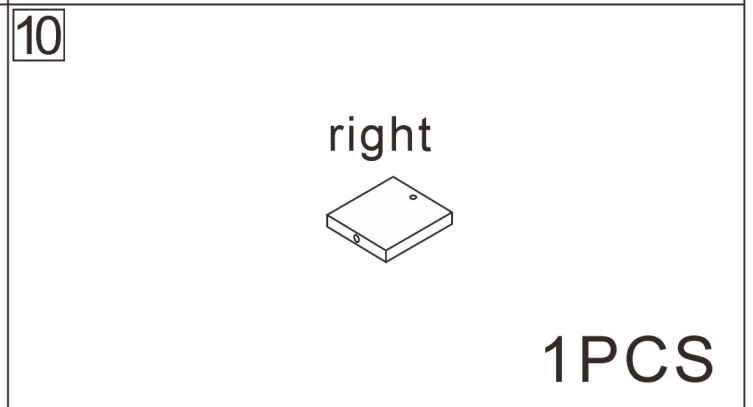
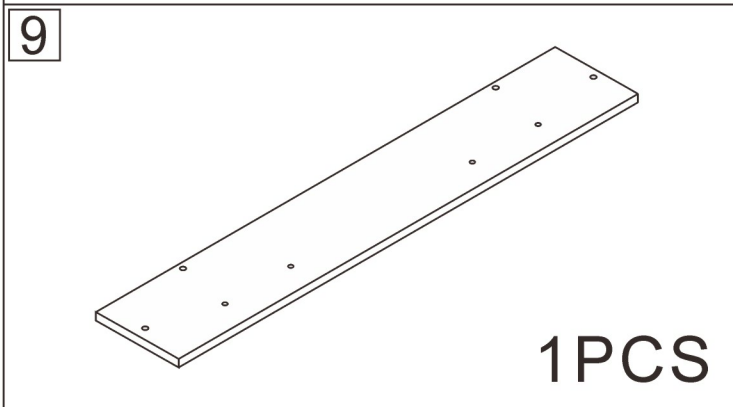
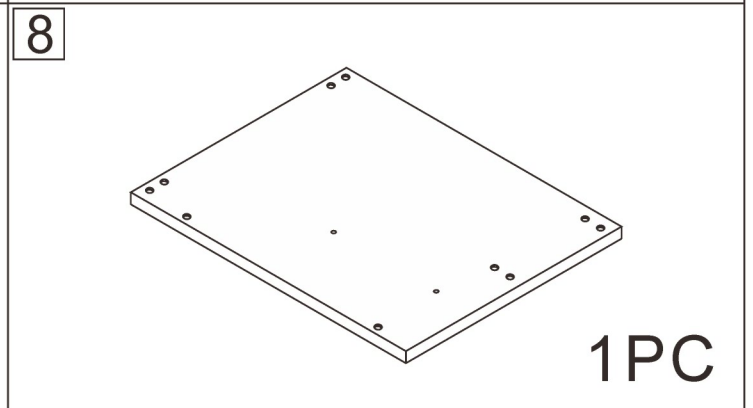
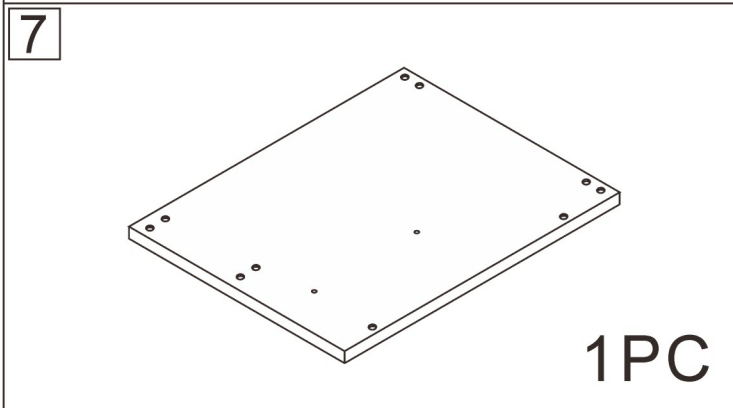
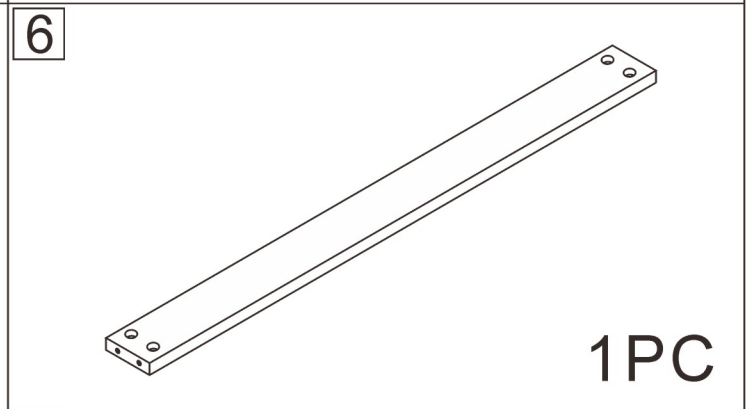
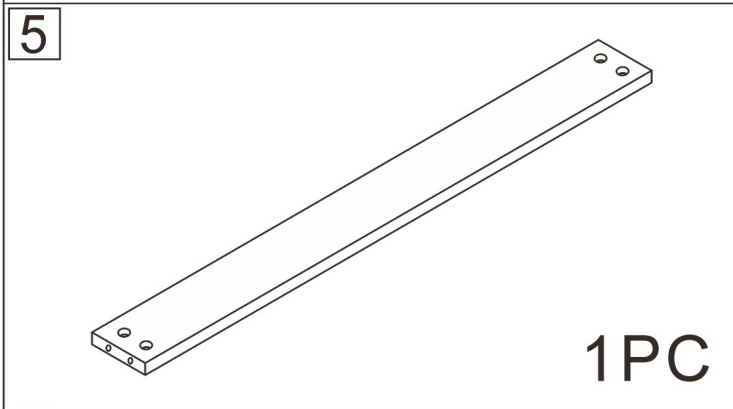
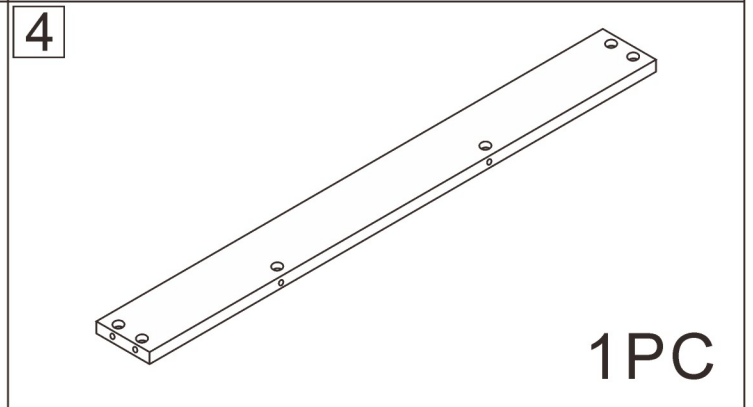
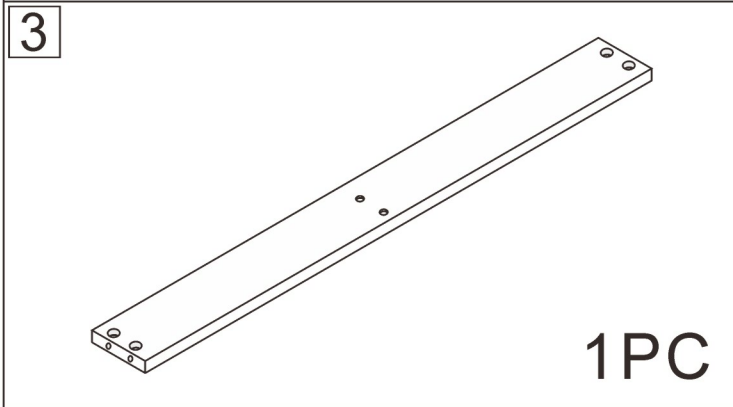
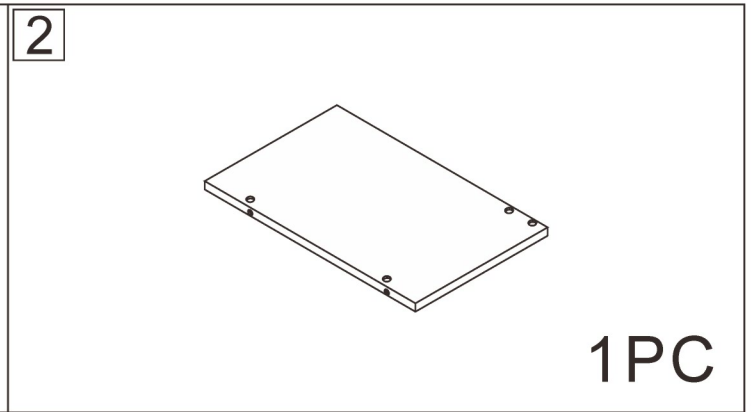
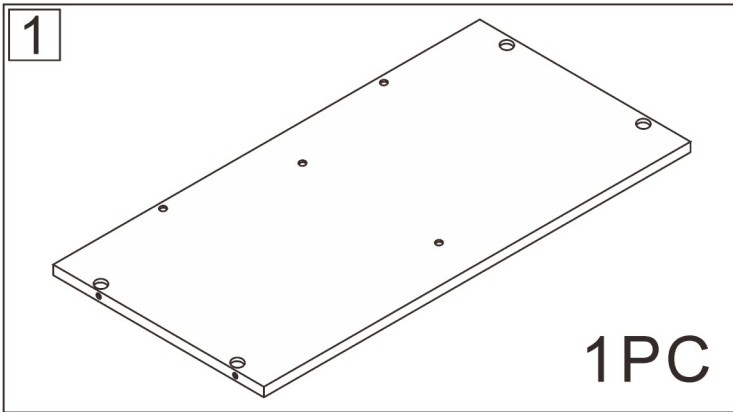
Notes: Don't tighten screws completely at first, just in case parts were assembled wrongly and need disassemble. Tighten screws at last when all parts are put together.



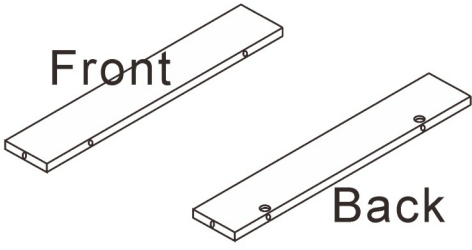
Disassembly and installation of accessories



A 44PCS  15*10mm	B 44PCS  6*28mm	C 52PCS  3.5*14mm	D 24PCS  3.5*35mm	E 8PCS  4*20	F 4PCS  128 Handles	G 4PCS  Sponge Mat	H 2PCS  8mm	
I 16PCS  6*15mm	J 3PCS  Mid bend	K 2PCS  Three-section Rail	L 4PCS  6mm	M 1PCS  Support Rod				

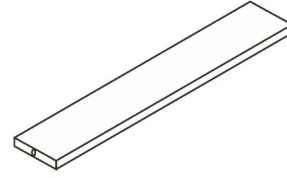


11



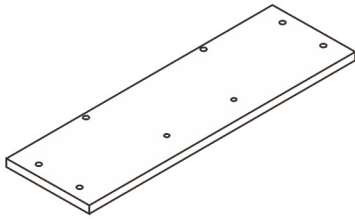
1PC

12



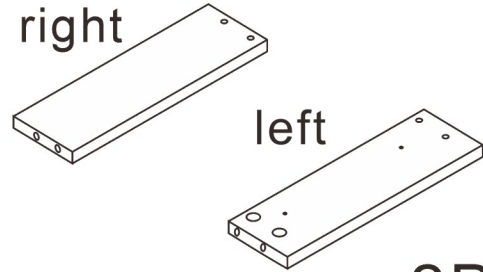
1PC

13



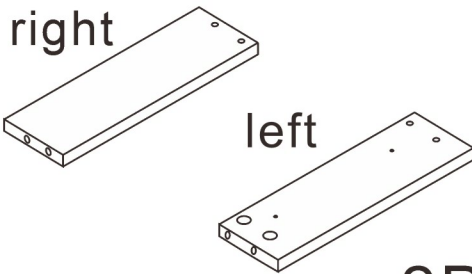
1PC

14



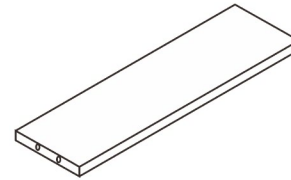
2PCS

15



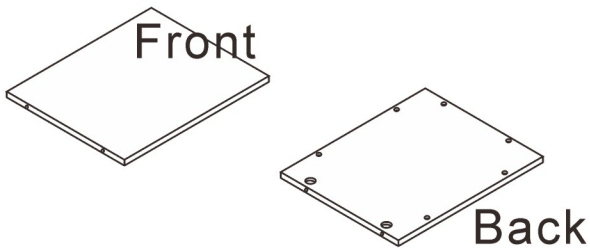
2PCS

16



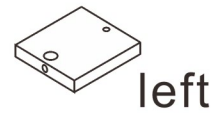
2PCS

17

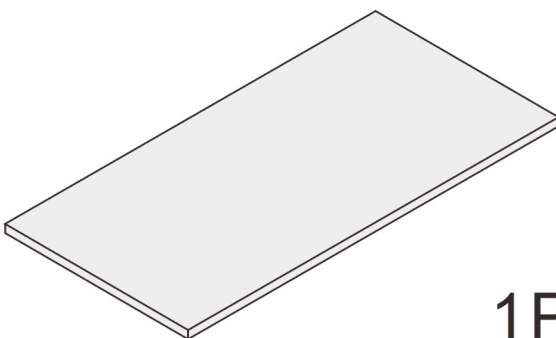


2PCS

18

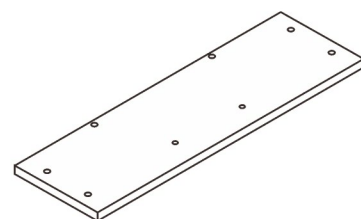


19



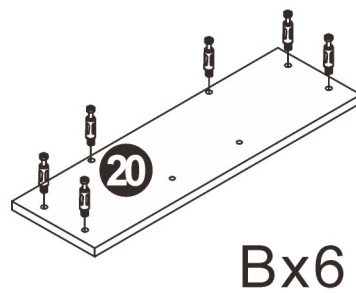
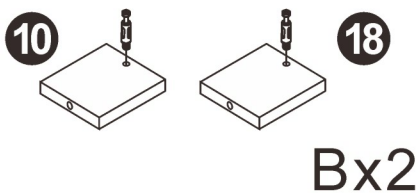
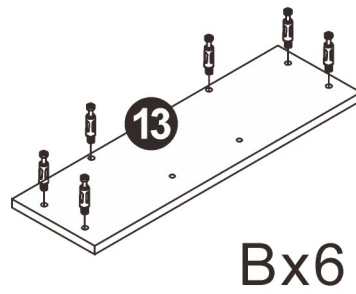
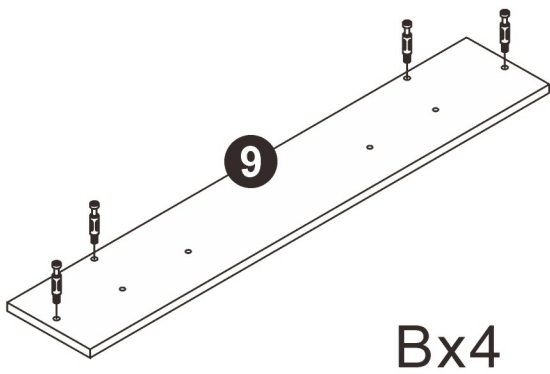
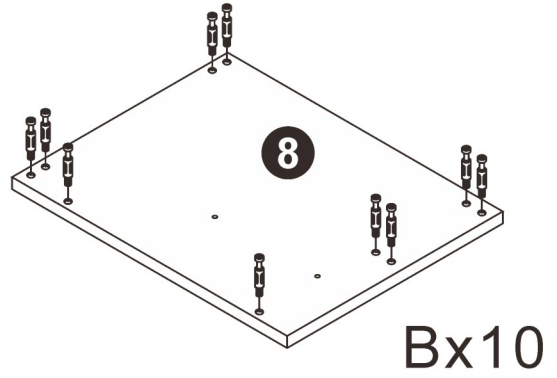
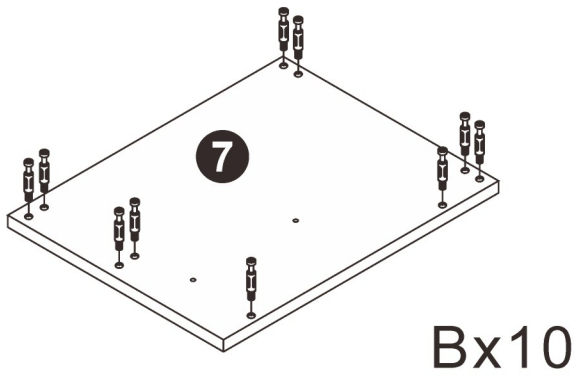
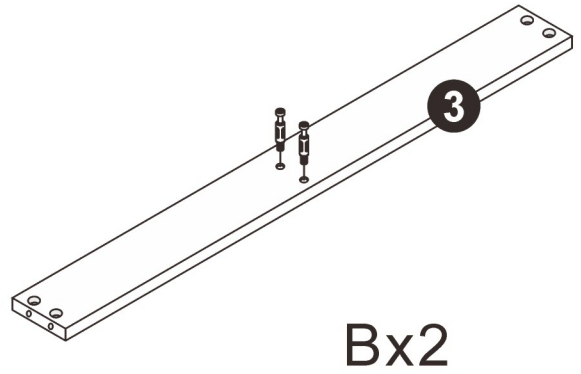
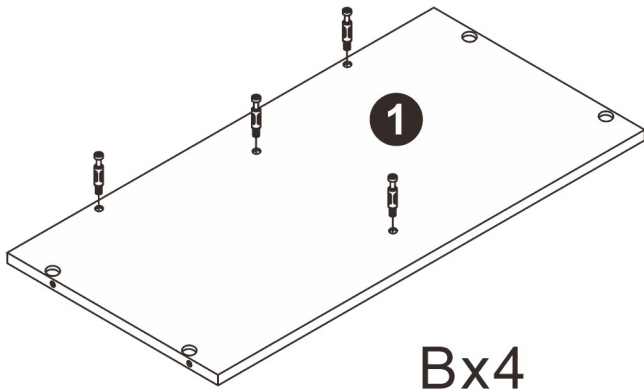
1PC


20



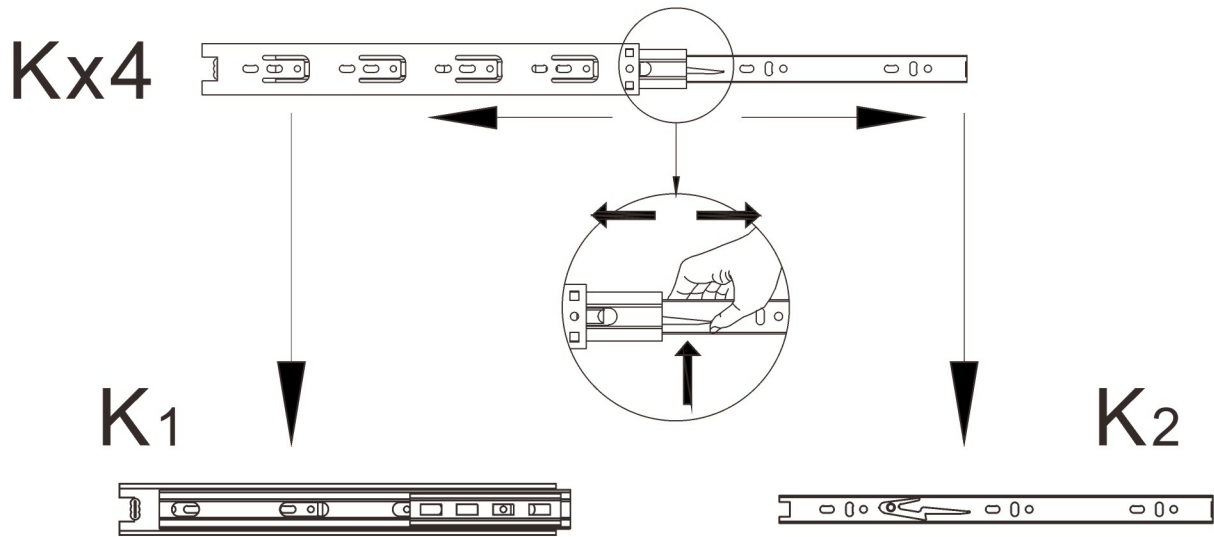
1PC


1



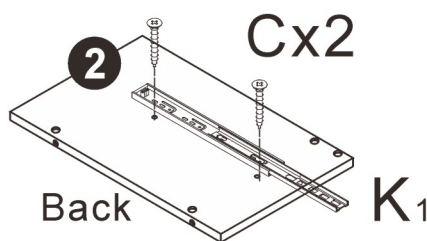
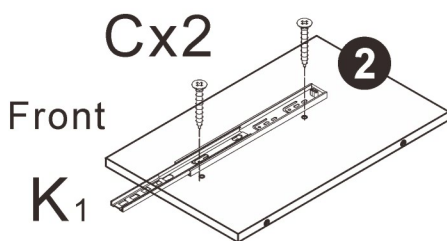
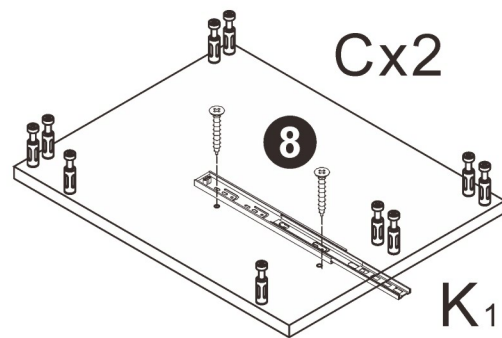
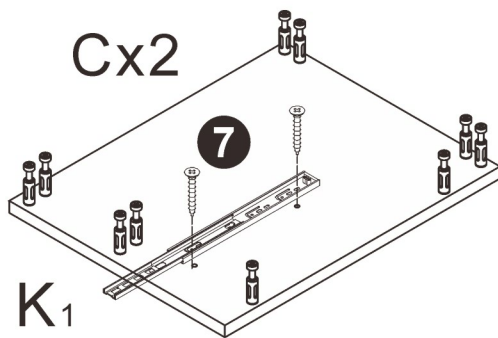
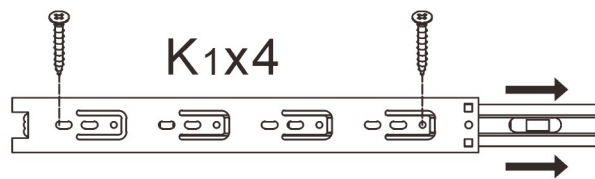
B	44PCS
	
6*28mm	


2




K ₁	2PCS
	
Three-section Rail	

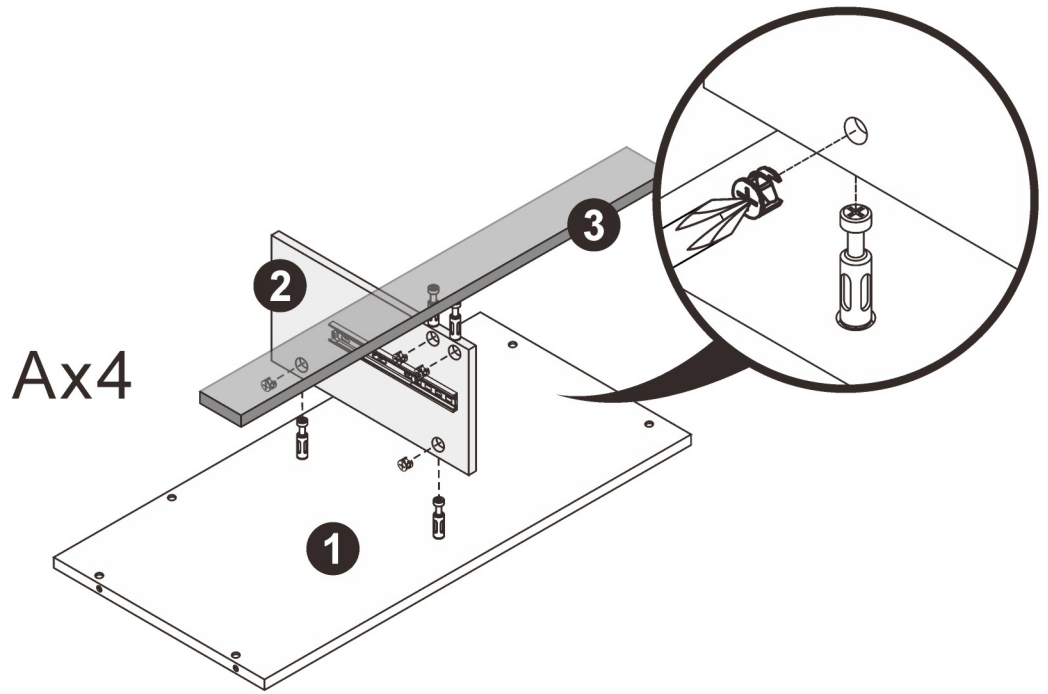
3




C	8PCS
	
3.5*14mm	

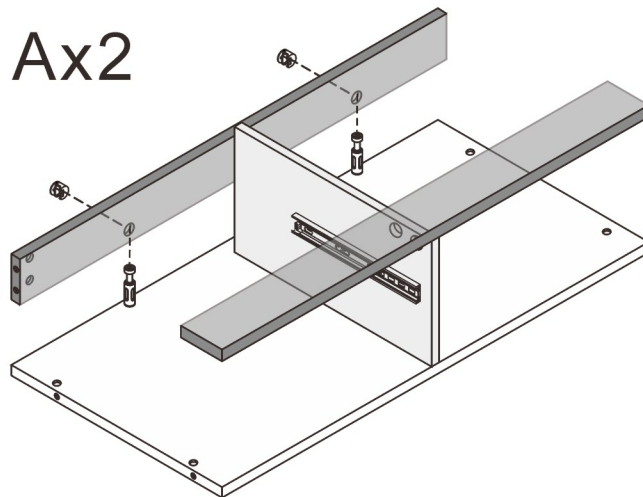
K ₁	2PCS
	
12 inch Three-section Rail	


4



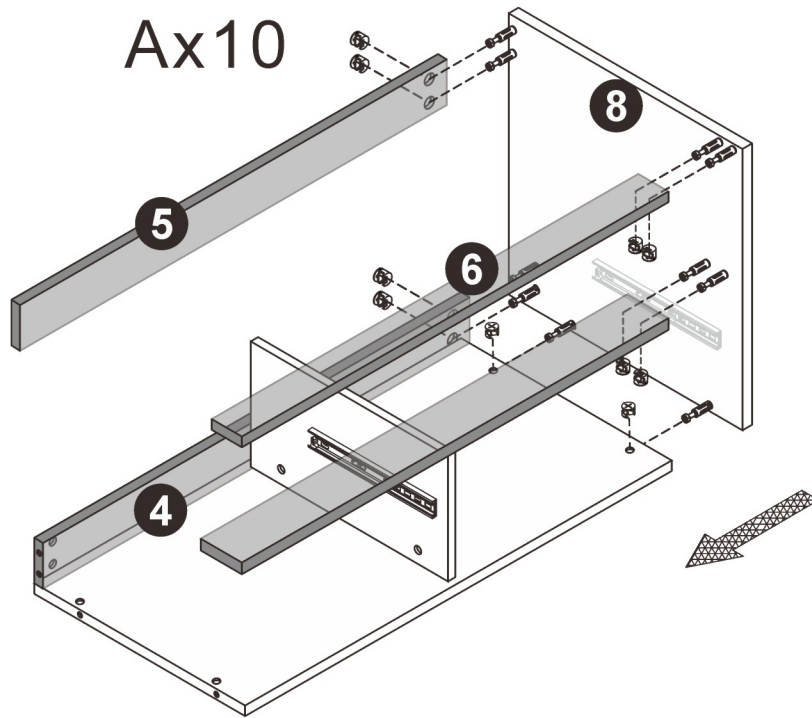
A	4PCS
	
15*10mm	


5



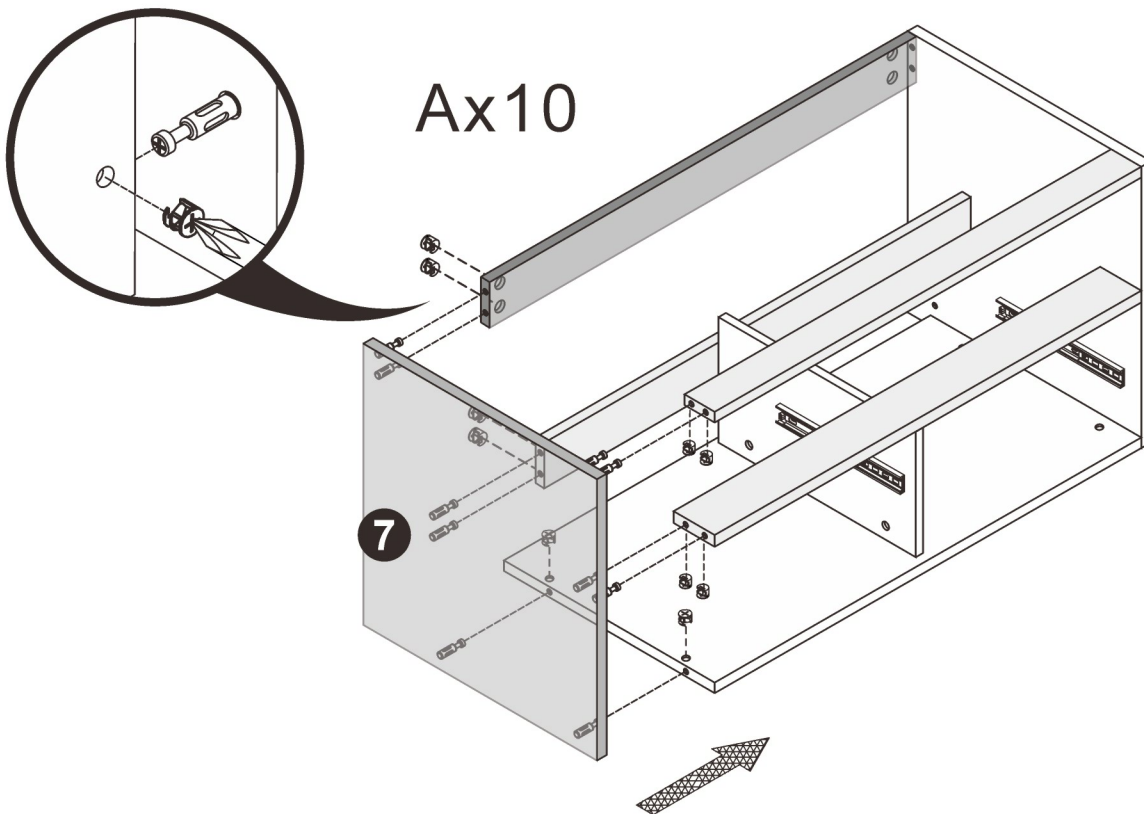
A	2PCS
	
15*10mm	


6



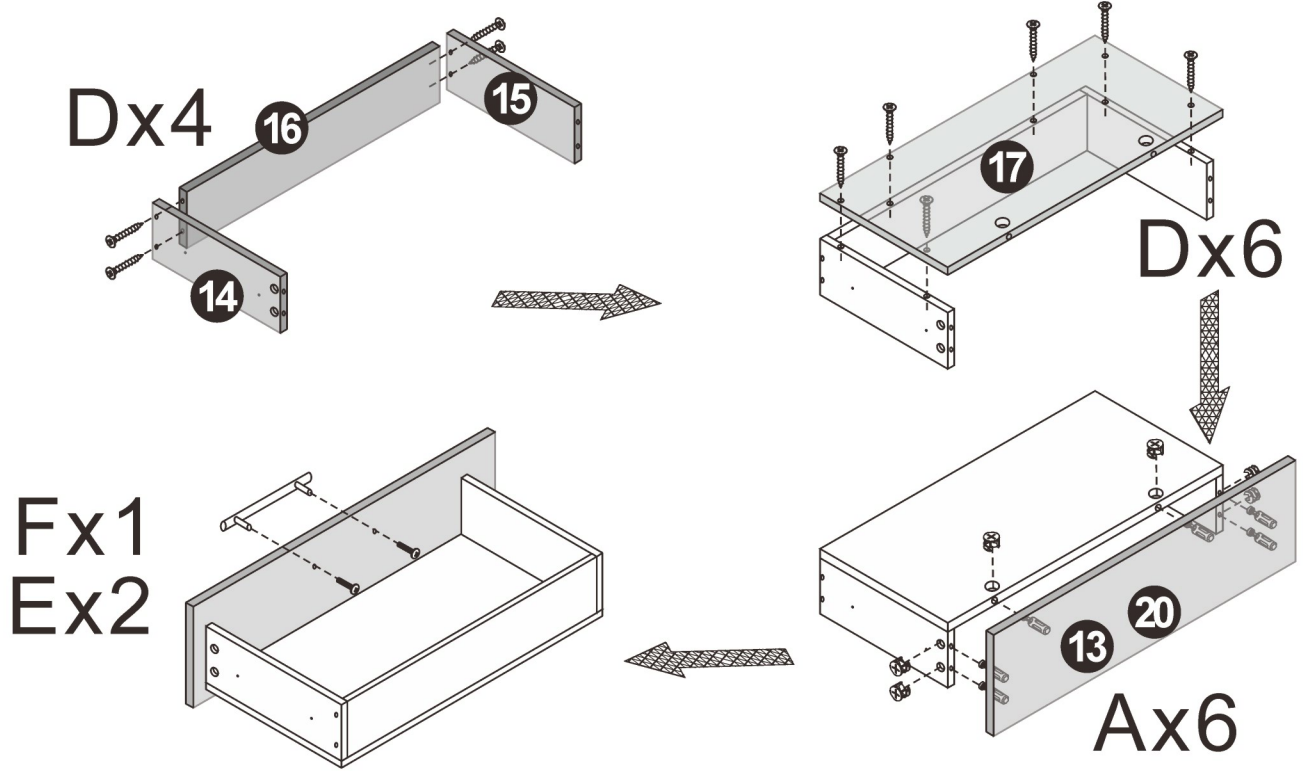
A	10PCS
	
15*10mm	

7



A	10PCS
	
15*10mm	

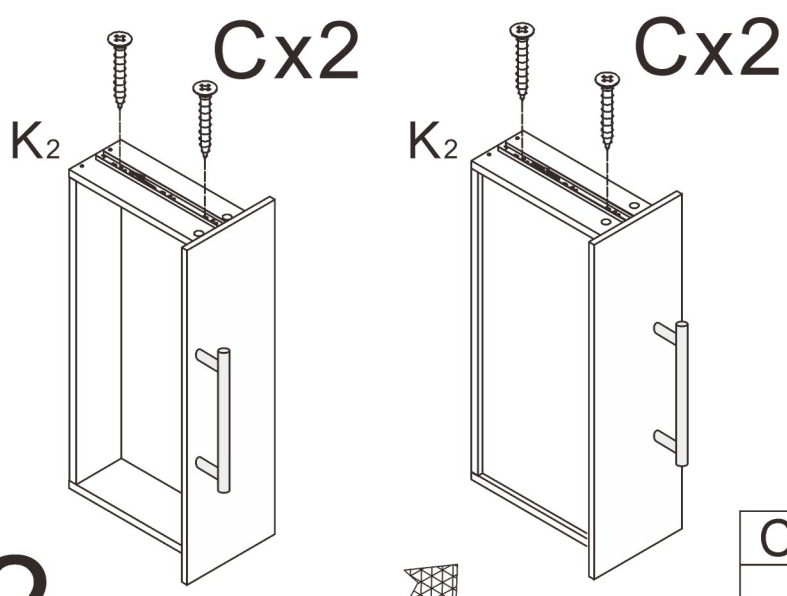
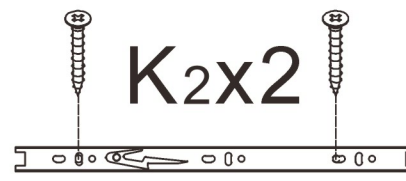
8



X2

A	12PCS	D	20PCS	E	4PCS	F	2PCS
15*10mm		3.5*35mm		4*20		Handles	

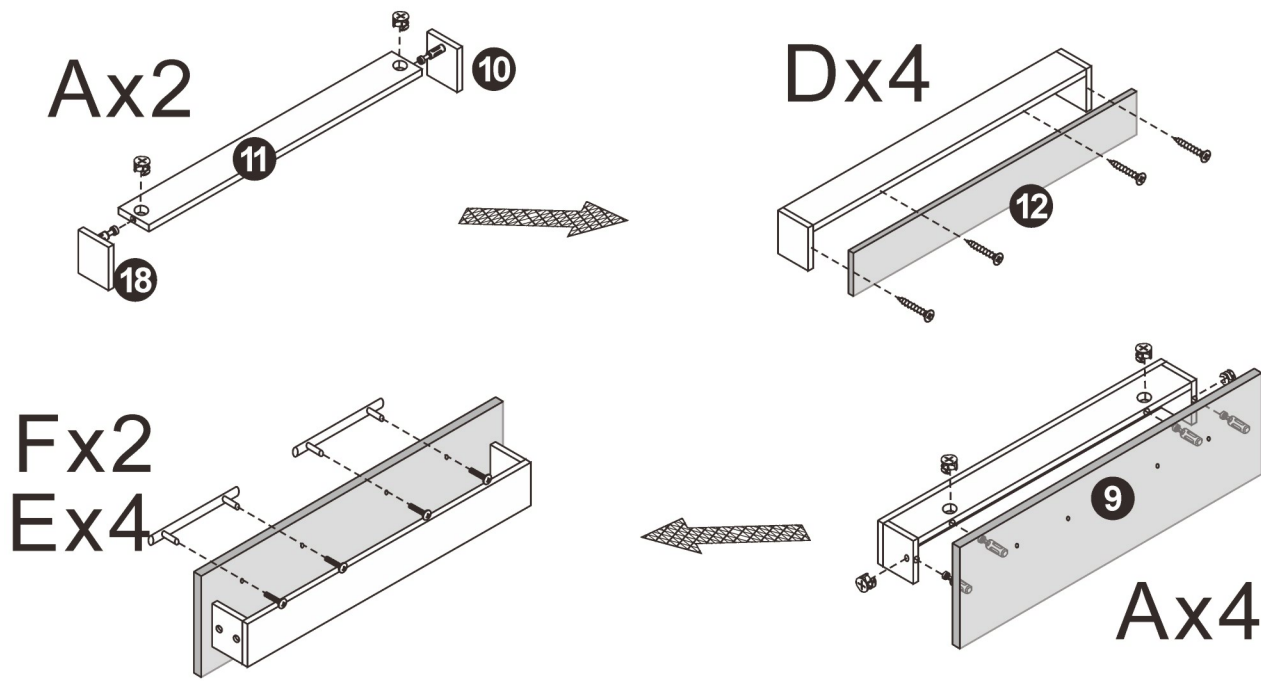
9



X2

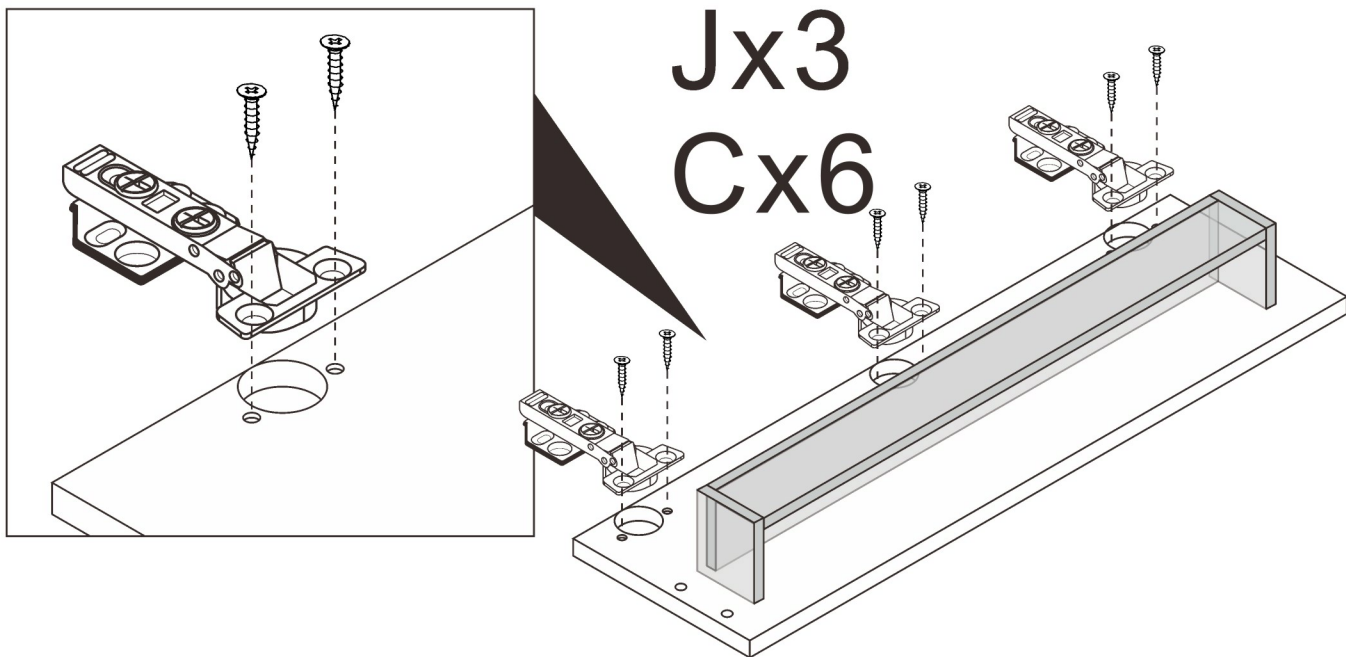
C	8PCS	K ₂	2PCS
3.5*14mm		Three-section Rail	

10

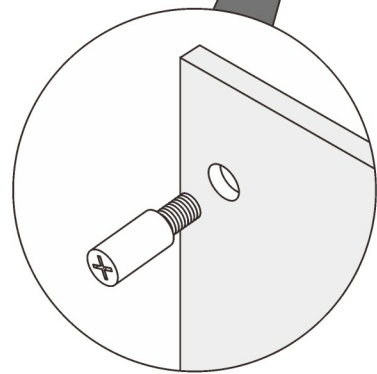
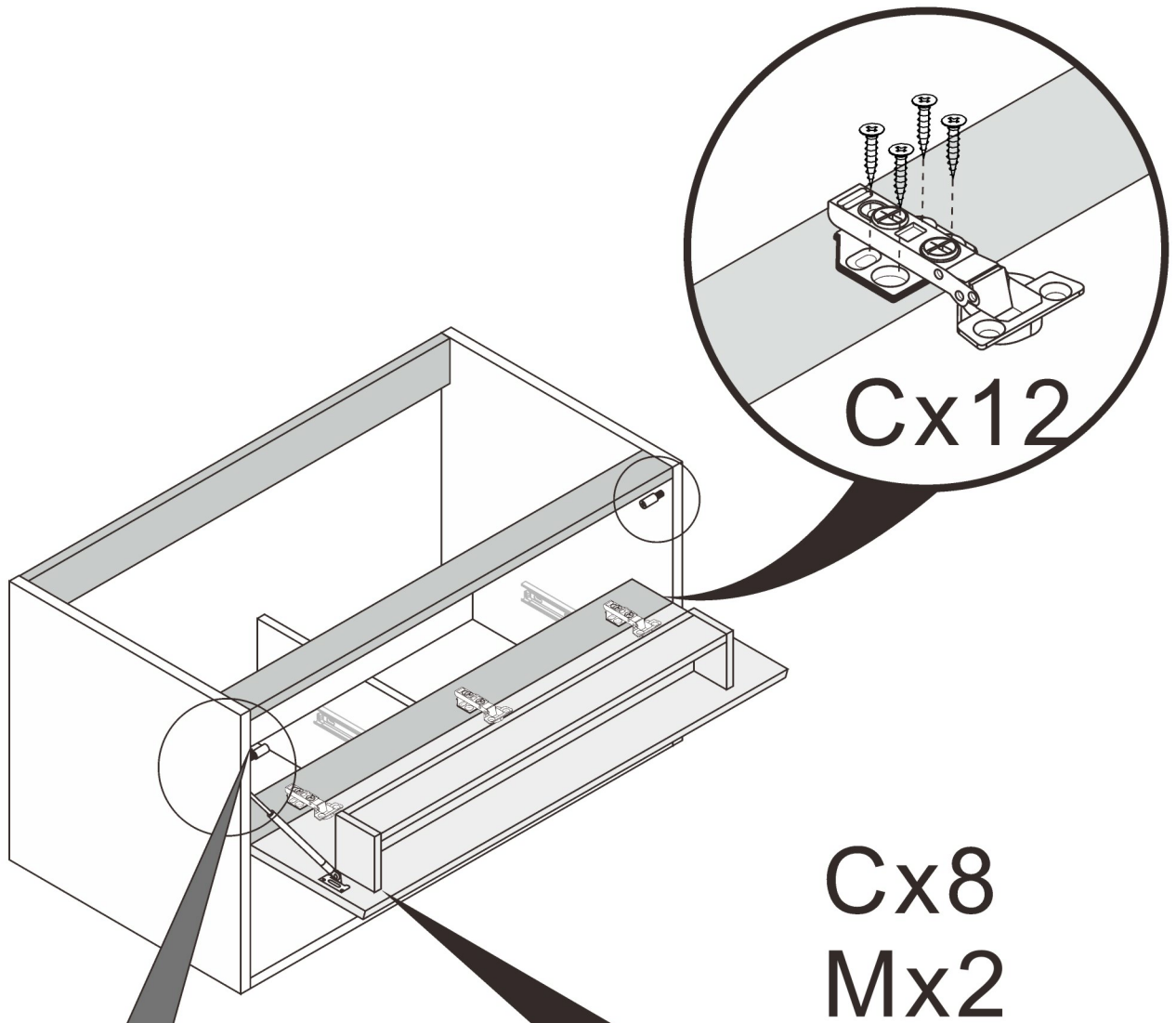


A	6PCS	D	4PCS	E	4PCS	F	2PCS
15*10mm		3.5*35mm		4*20		Handles	

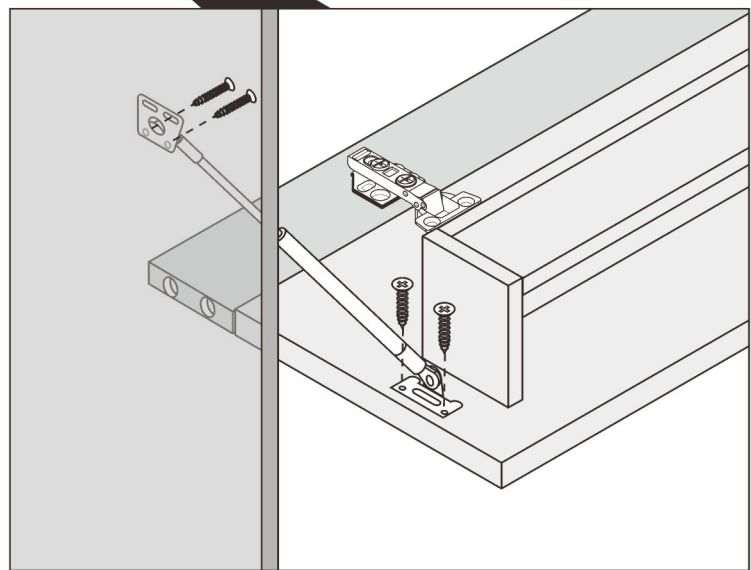
11






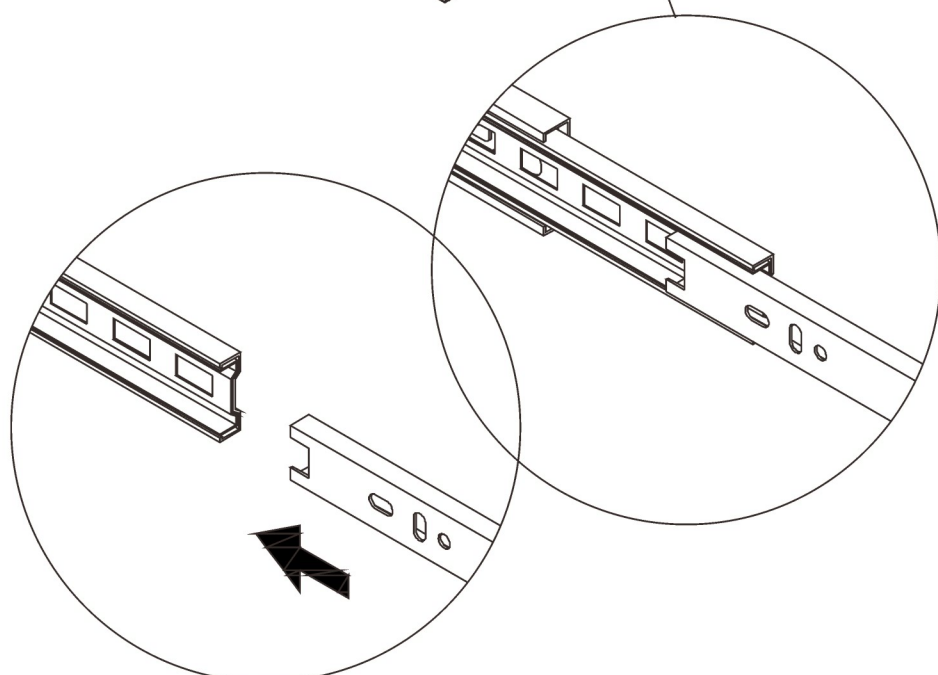
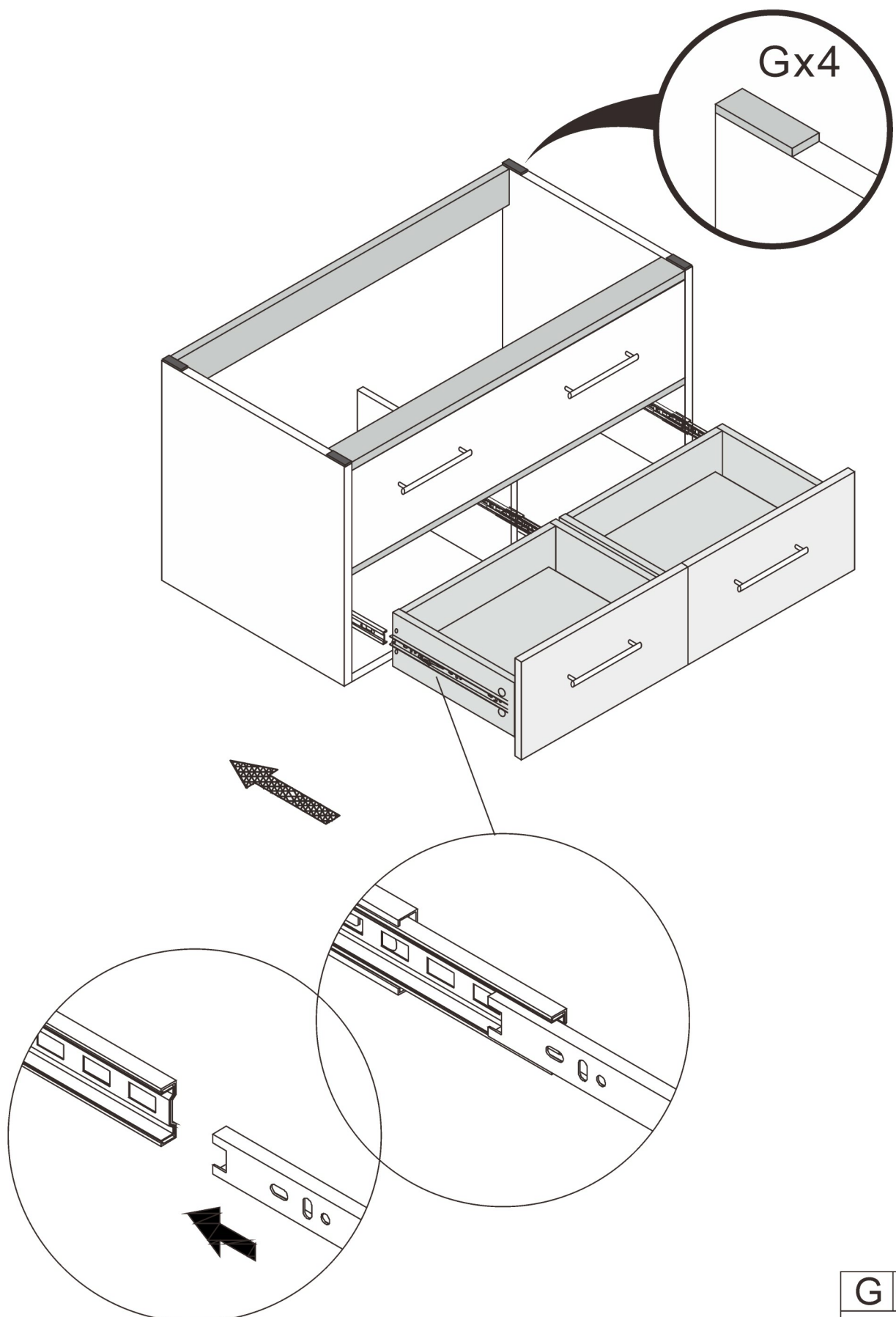
C	6PCS	J	3PCS
3.5*14mm		Mid bend	

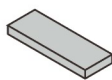


Hx2



C	16PCS	M	1PCS	H	2PCS
					
3.5*14mm		Support Rod		8mm	



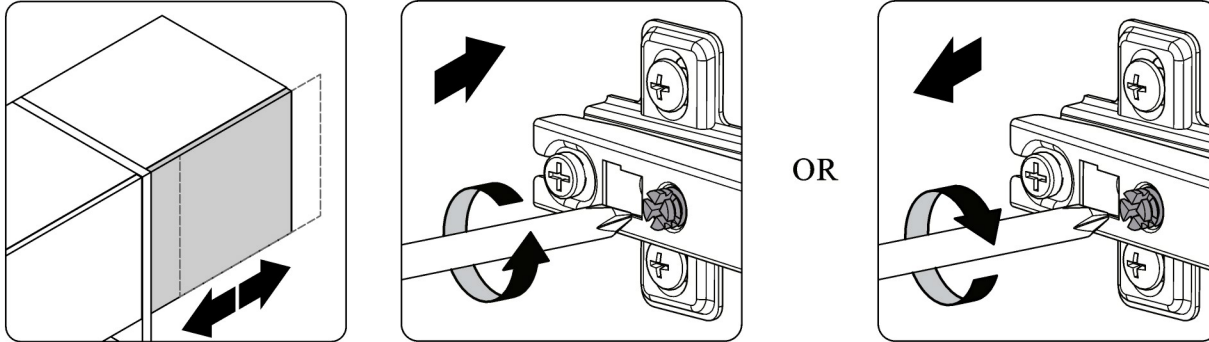
G	4PCS
	
Sponge Mat	

SPECIAL TIPS FOR DOOR ALIGNMENT

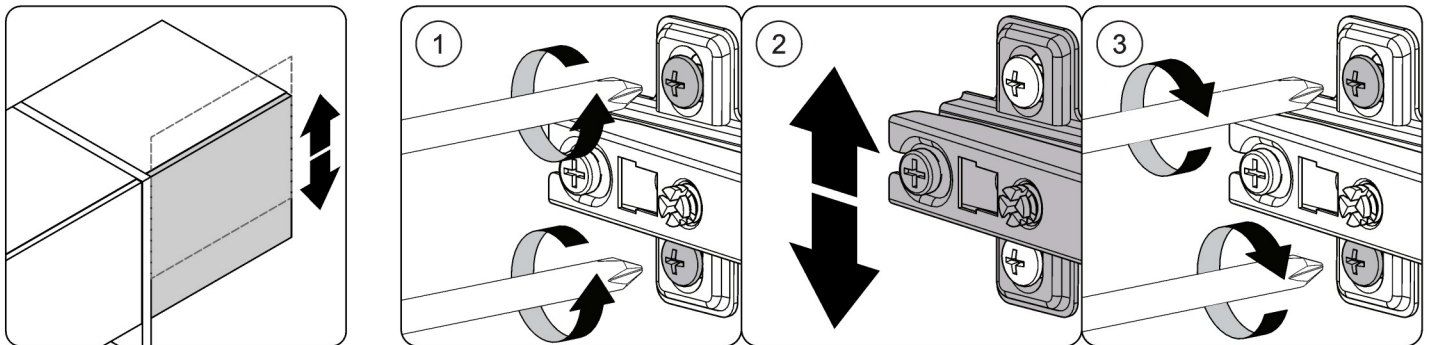
CONSEJOS ESPECIALES PARA LA ALINEACIÓN DE PUERTAS

CONSEILS SPÉCIAUX POUR L'ALIGNEMENT DES PORTES

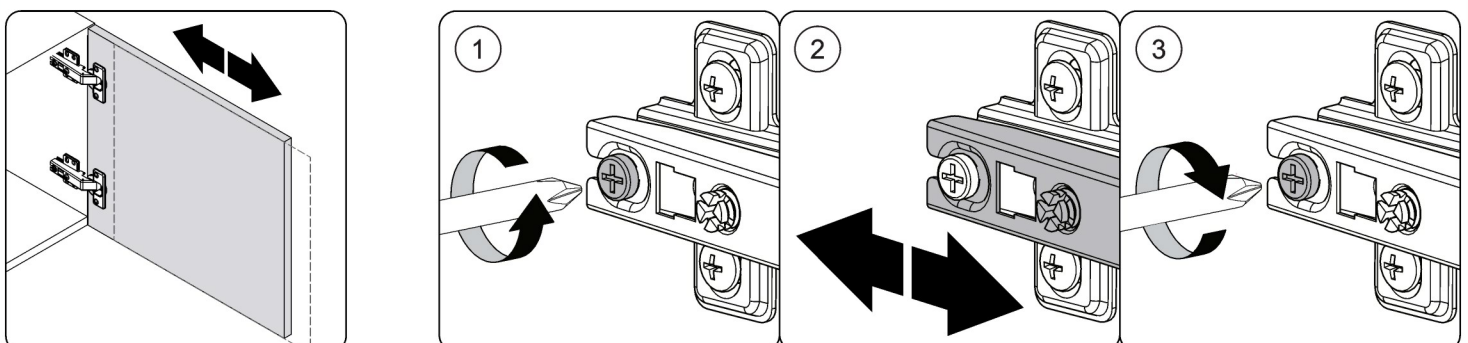
- A. Lateral adjustment (Moving door left-right) by screw adjusting**
 Ajuste lateral (Puerta móvil de izquierda a derecha) mediante tornillo de ajuste
 Réglage latéral (porte mobile gauche-droite) par réglage à vis



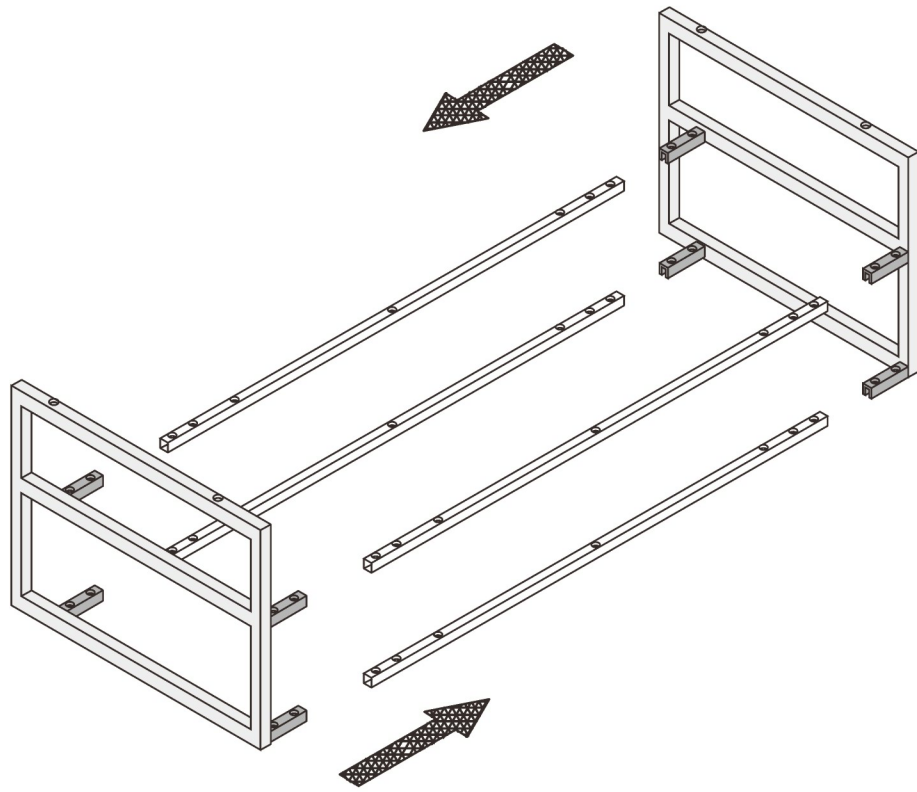
- B. Vertical adjustment (Moving door up-down) via the slot on the mounting plate**
 Ajuste vertical (Puerta móvil arriba-abajo) a través de la ranura en la placa de montaje
 Réglage vertical (porte mobile de haut en bas) via la fente sur la plaque de montage



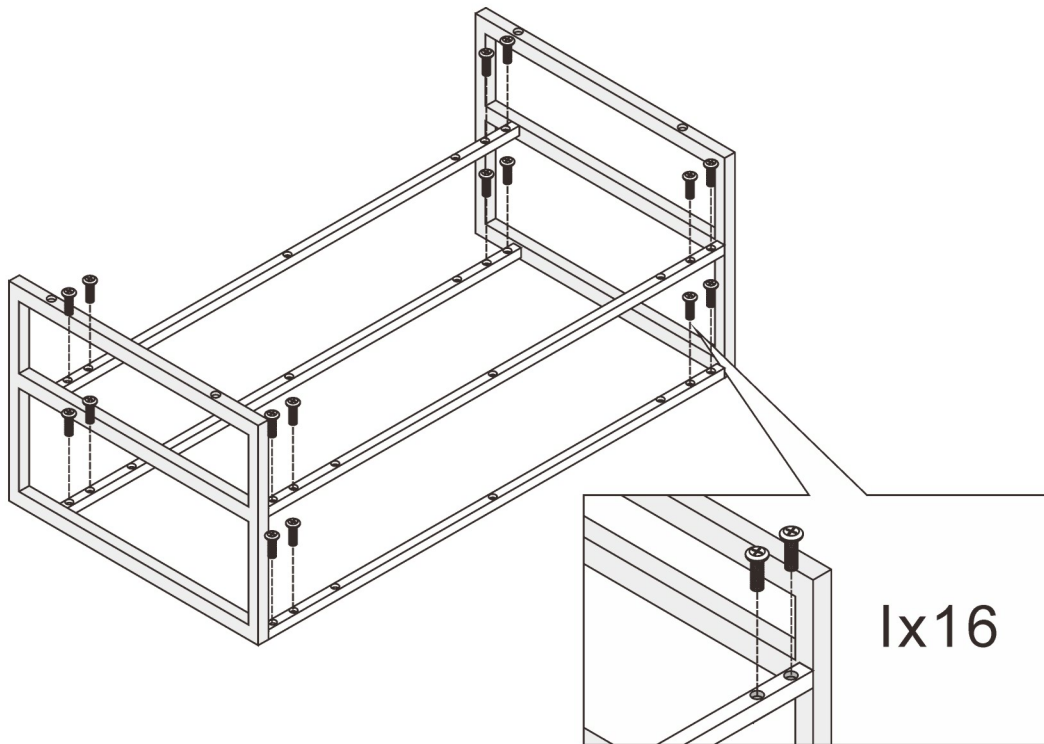
- C. Front-to-back adjustment (Spacing Door Off Cabinet) by slacking the hinge arm mounting screw**
 Ajuste de adelante hacia atrás (espaciado entre la puerta y el gabinete) aflojando el tornillo de montaje del brazo de la bisagra
 Ajustement d'avant en arrière (espacement de la porte hors de l'armoire) en desserrant la vis de montage du bras de charnière




13

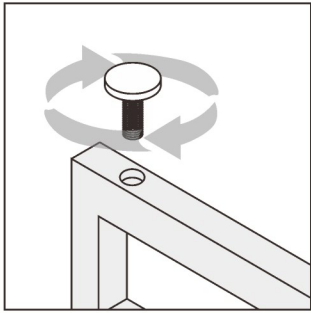


14

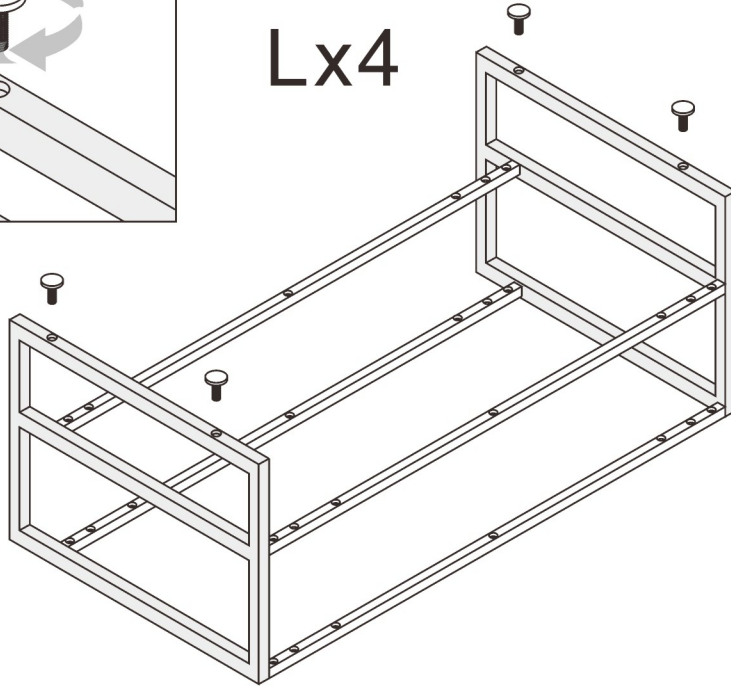


	16PCS
	
6*15mm	

19



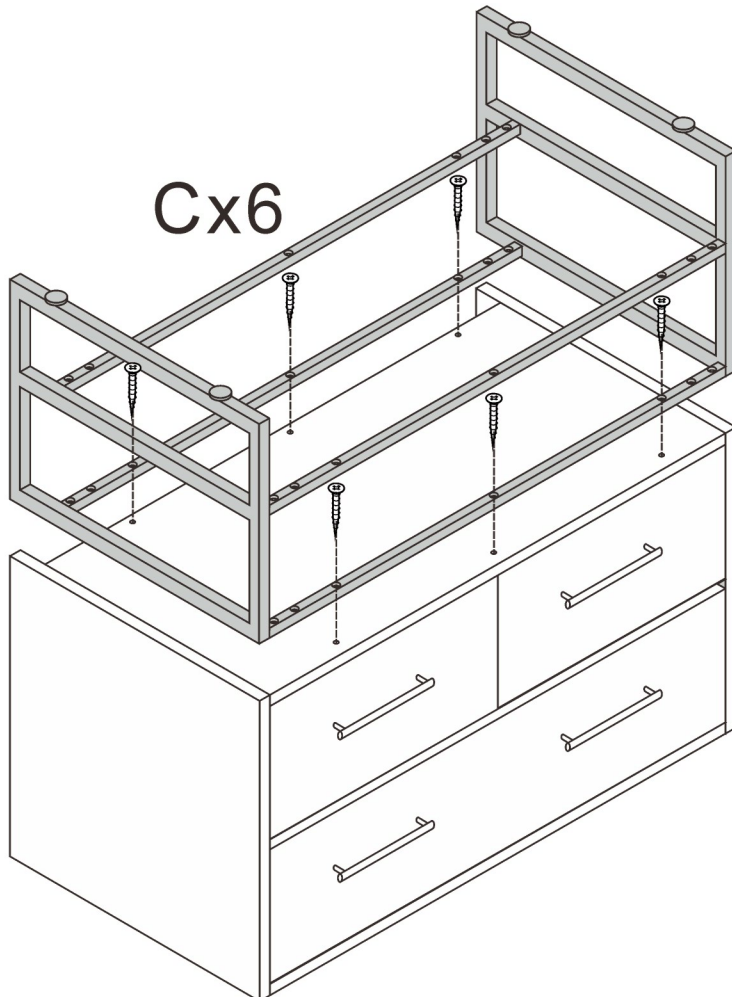
Lx4



L	4PCS
6mm	

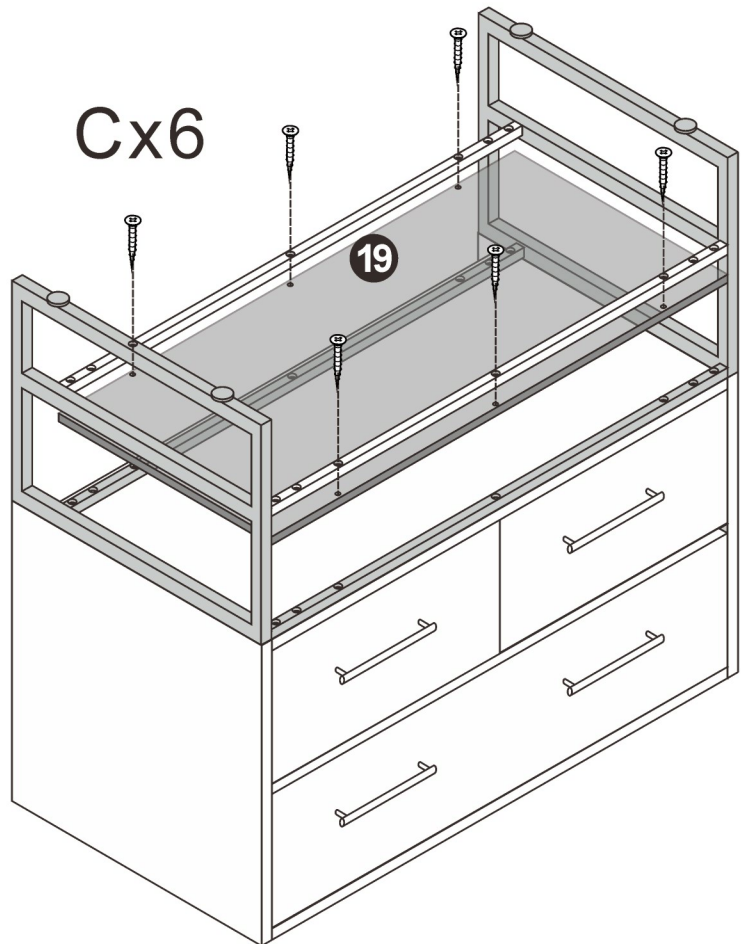
20


Cx6



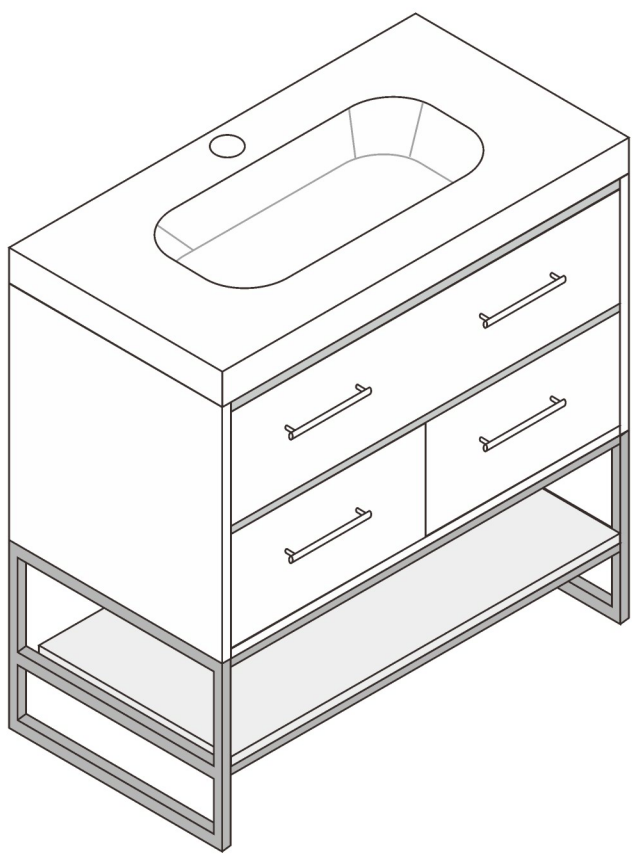
C	6PCS
3.5*14mm	

21



C	6PCS
	
3.5*14mm	

22



OK